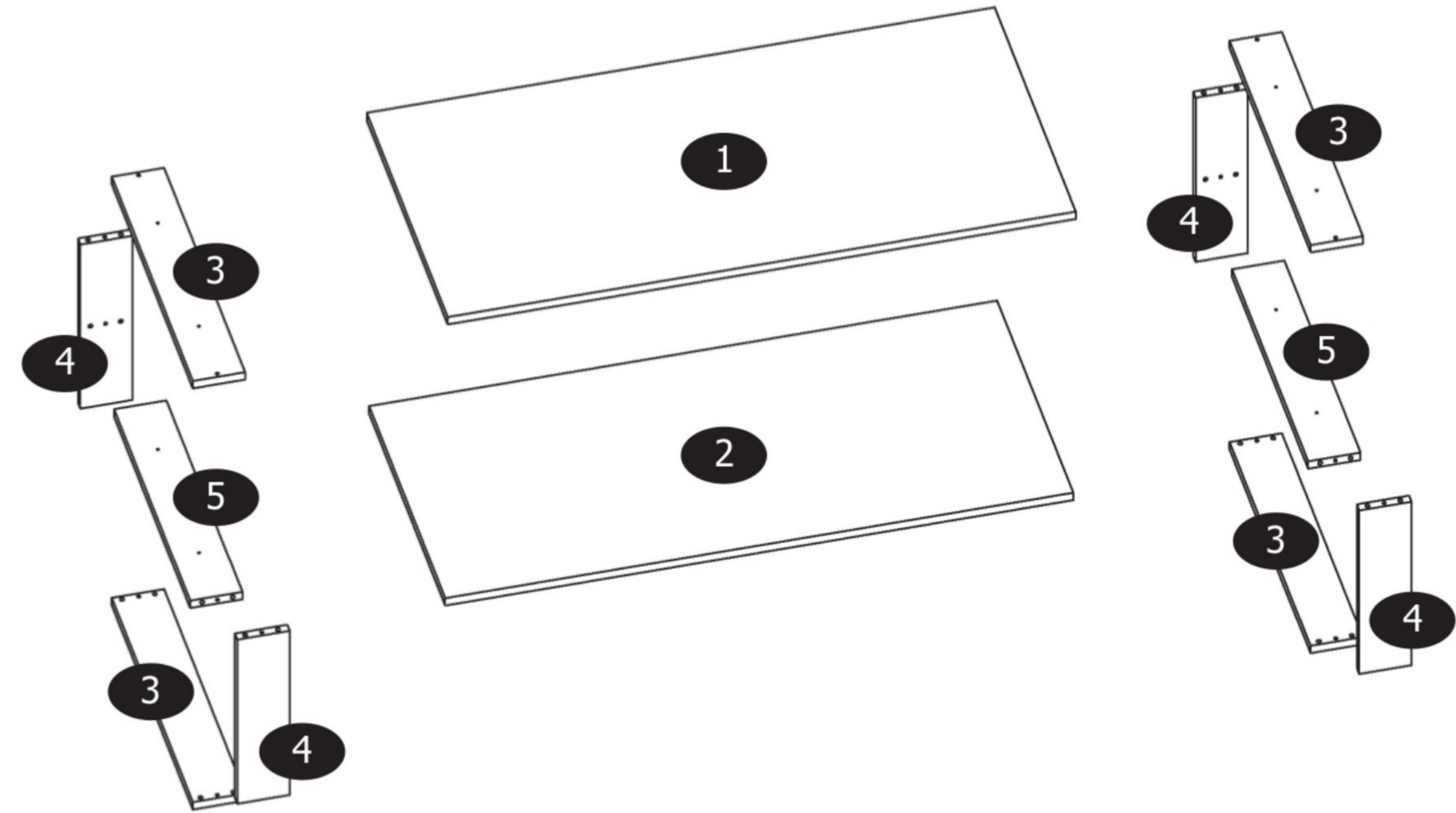
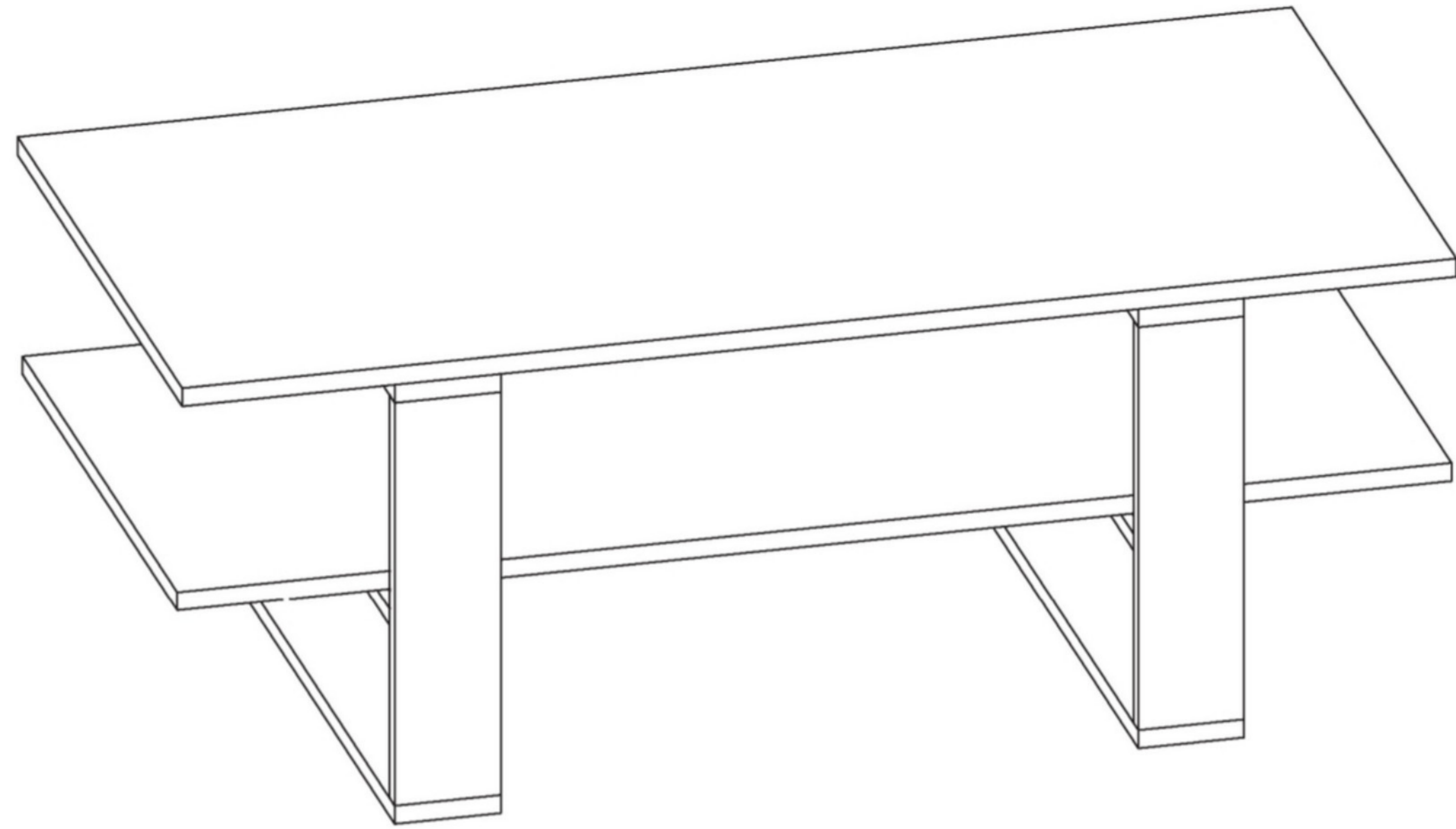


# SM

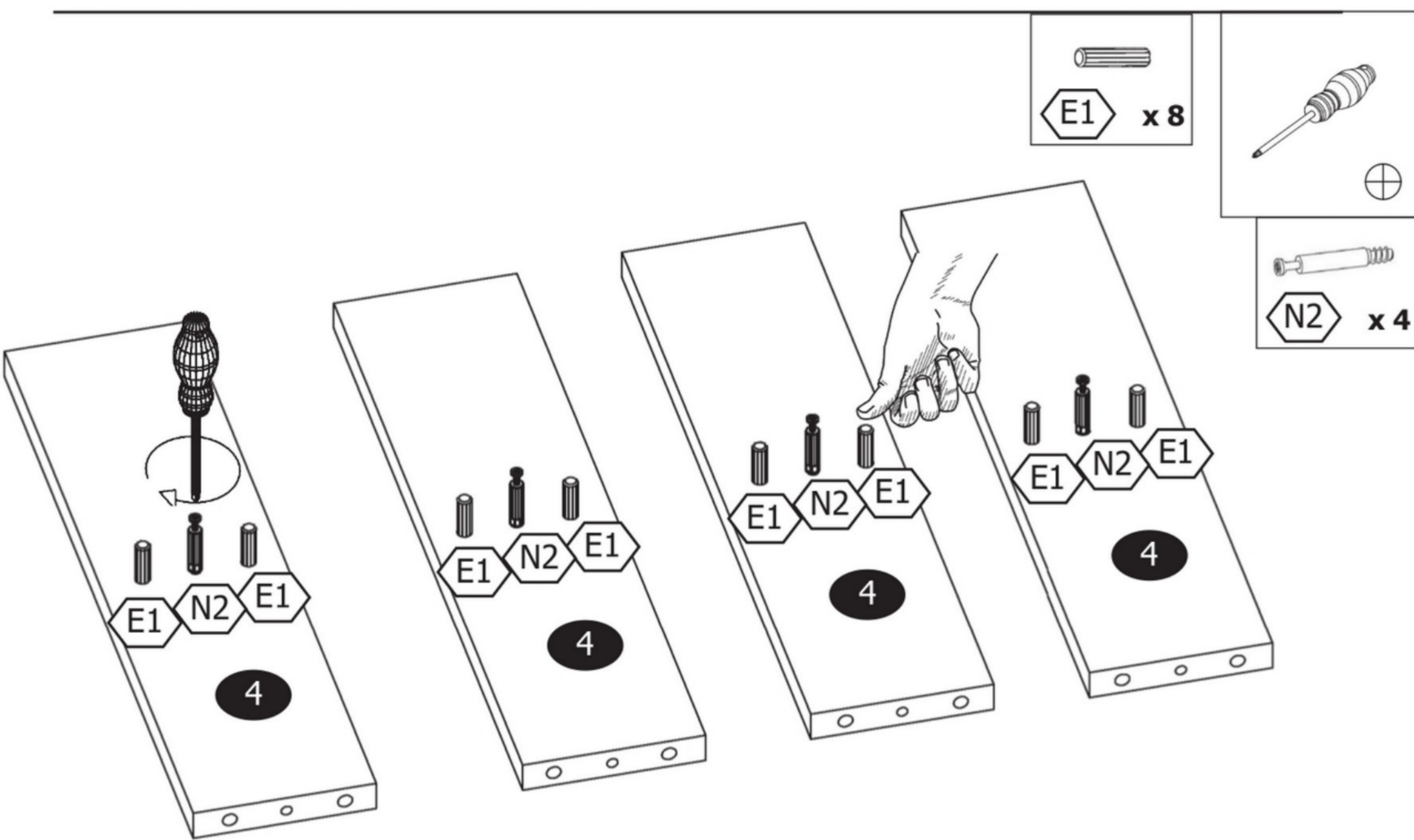


- ① x1
- ② x1
- ③ x4
- ④ x4
- ⑤ x2

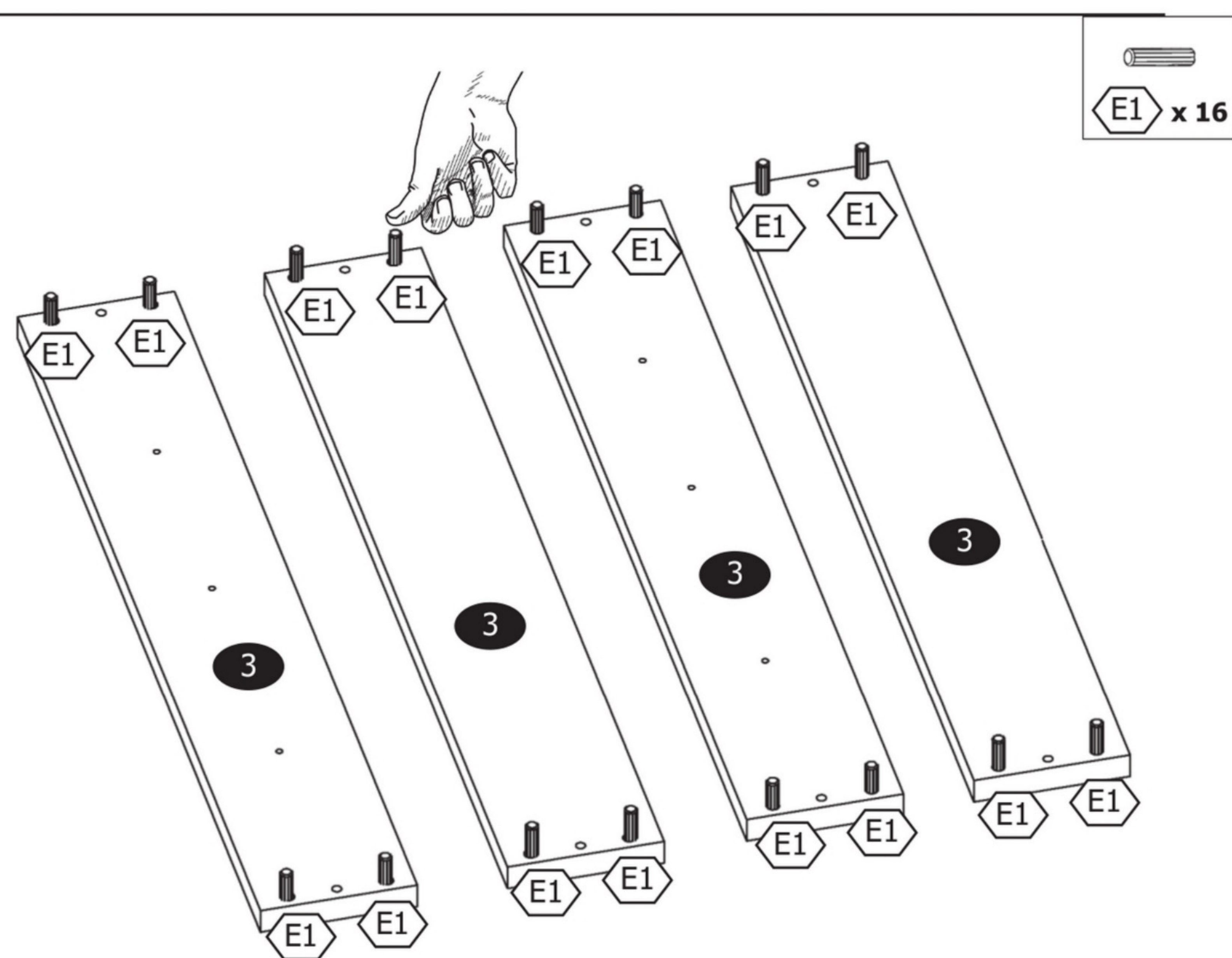
E1	<p>Φ8x35mm <b>x24</b></p>	F3	<p><b>x8</b> Φ7x50mm</p>
K1	<p><b>x1</b></p>	M3	<p><b>x4</b></p>
M2	<p><b>x4</b></p>	S1	<p><b>x12</b> Φ4x30 mm</p>
		T1	<p><b>x8</b></p>



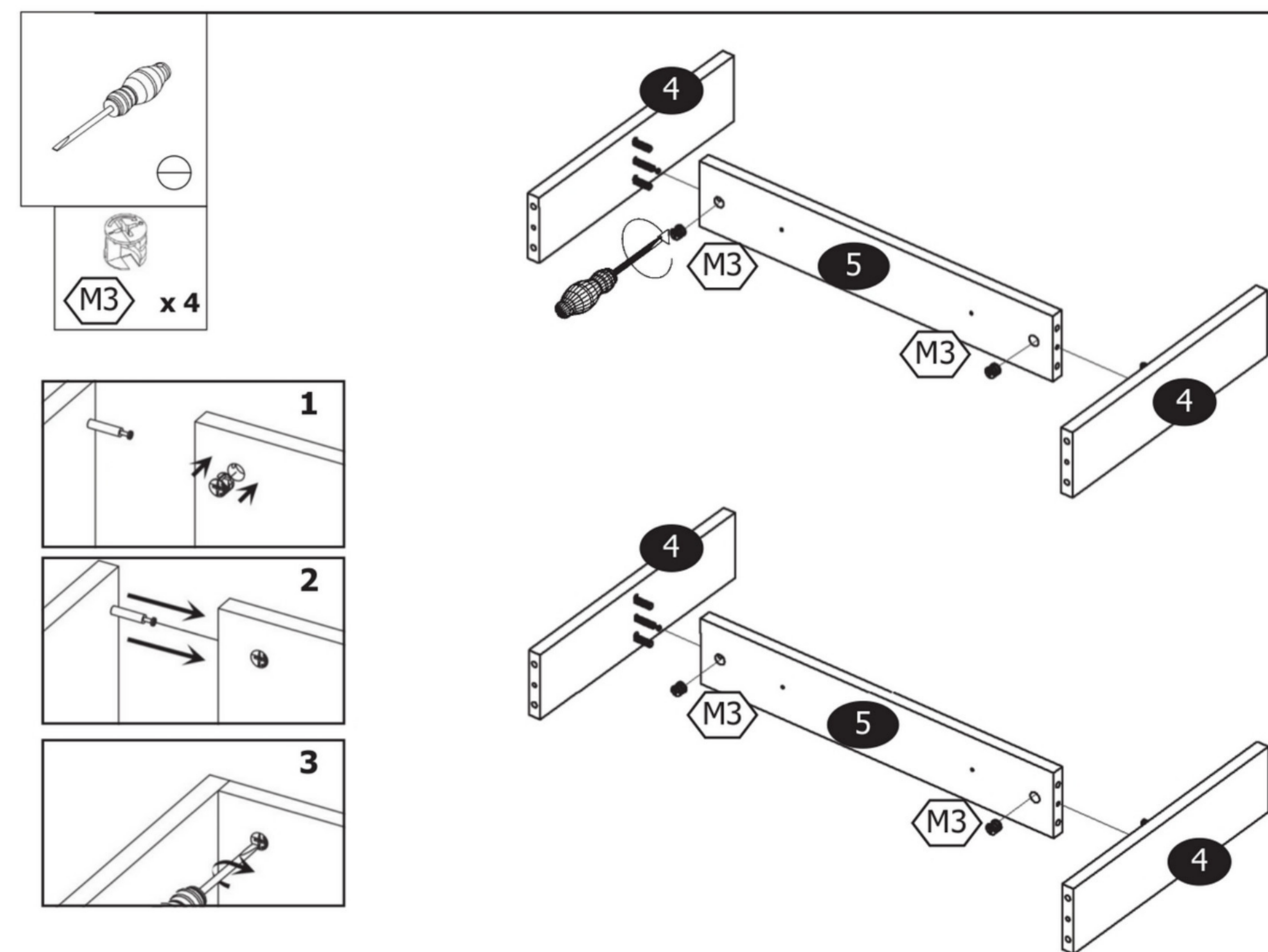
1



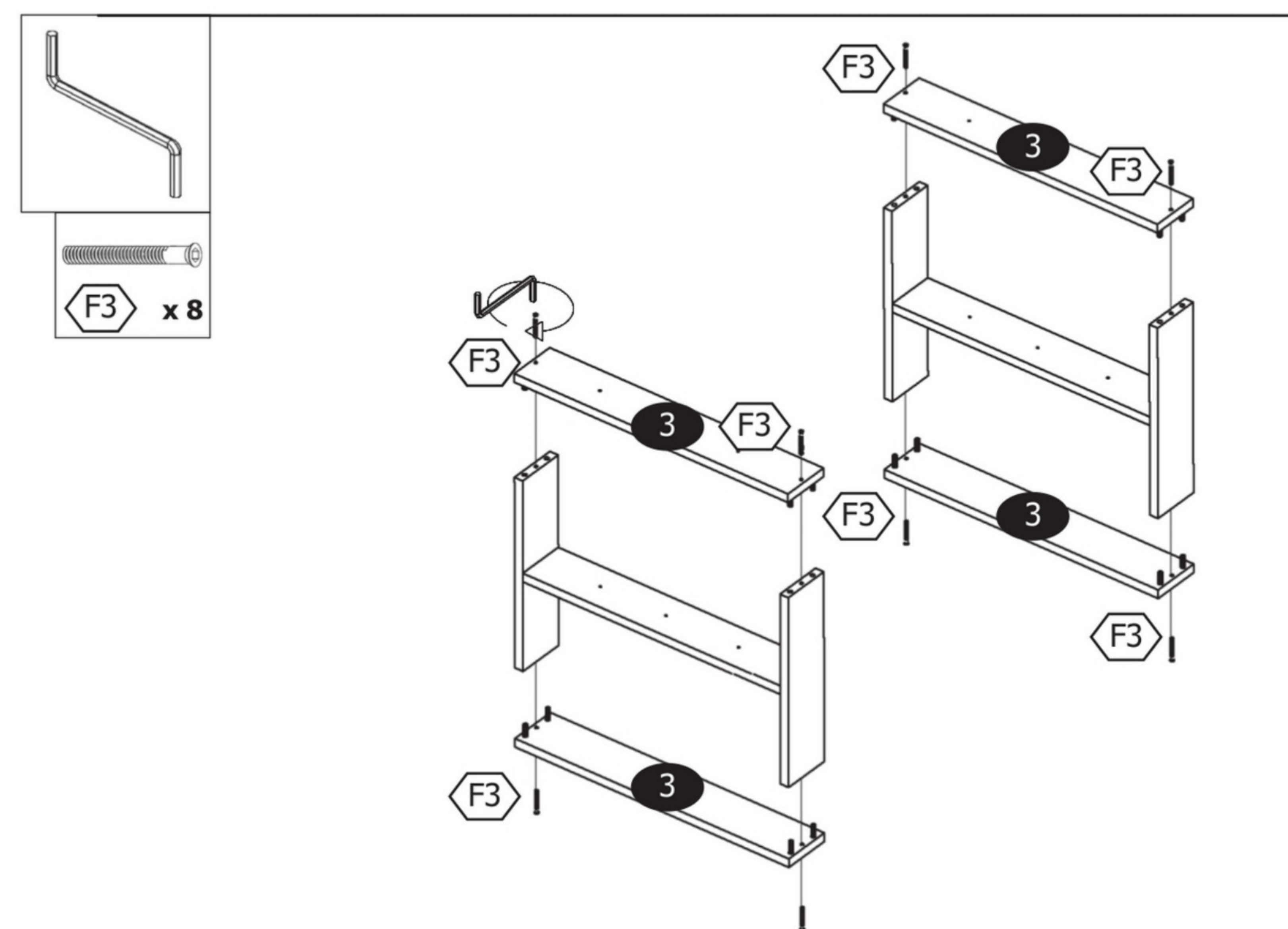
2



3

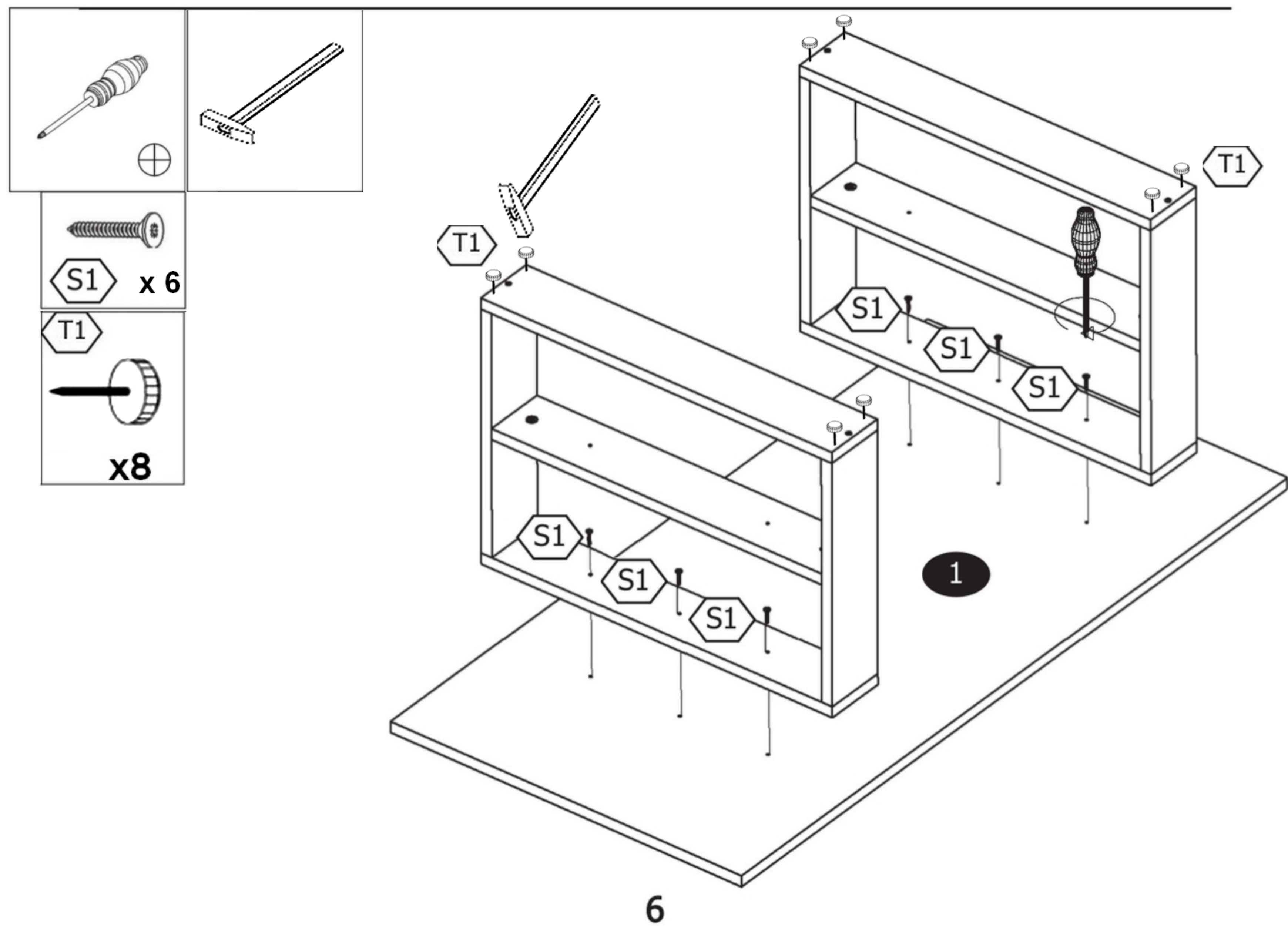


4





5



6

