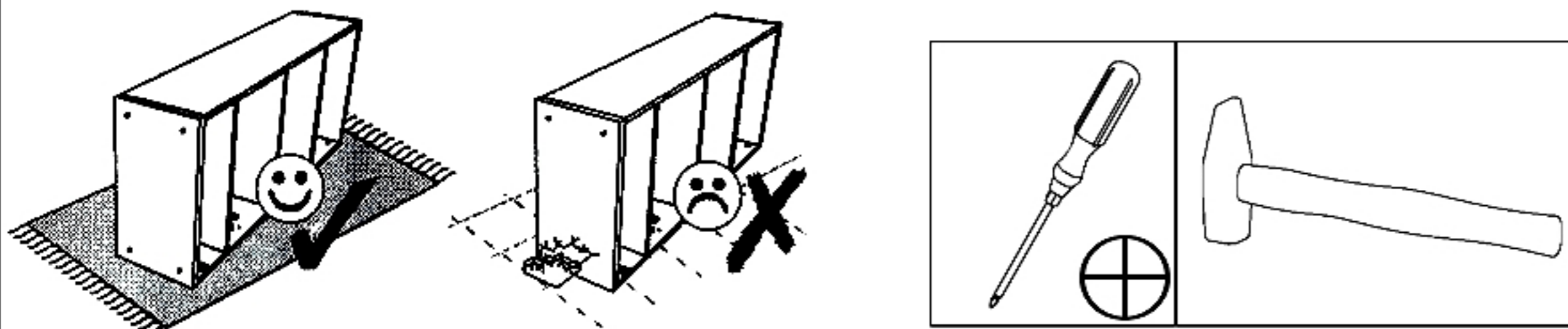
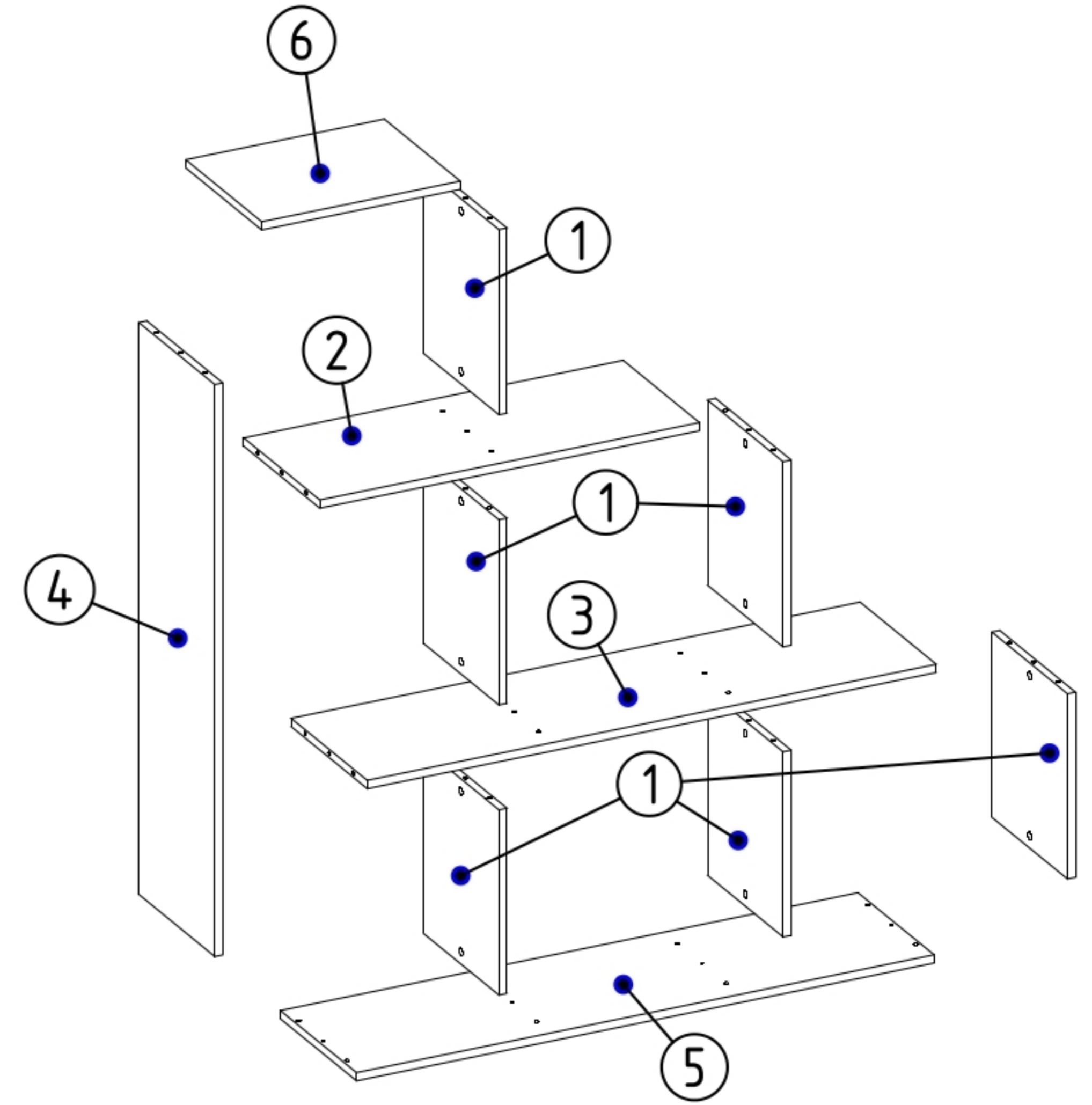
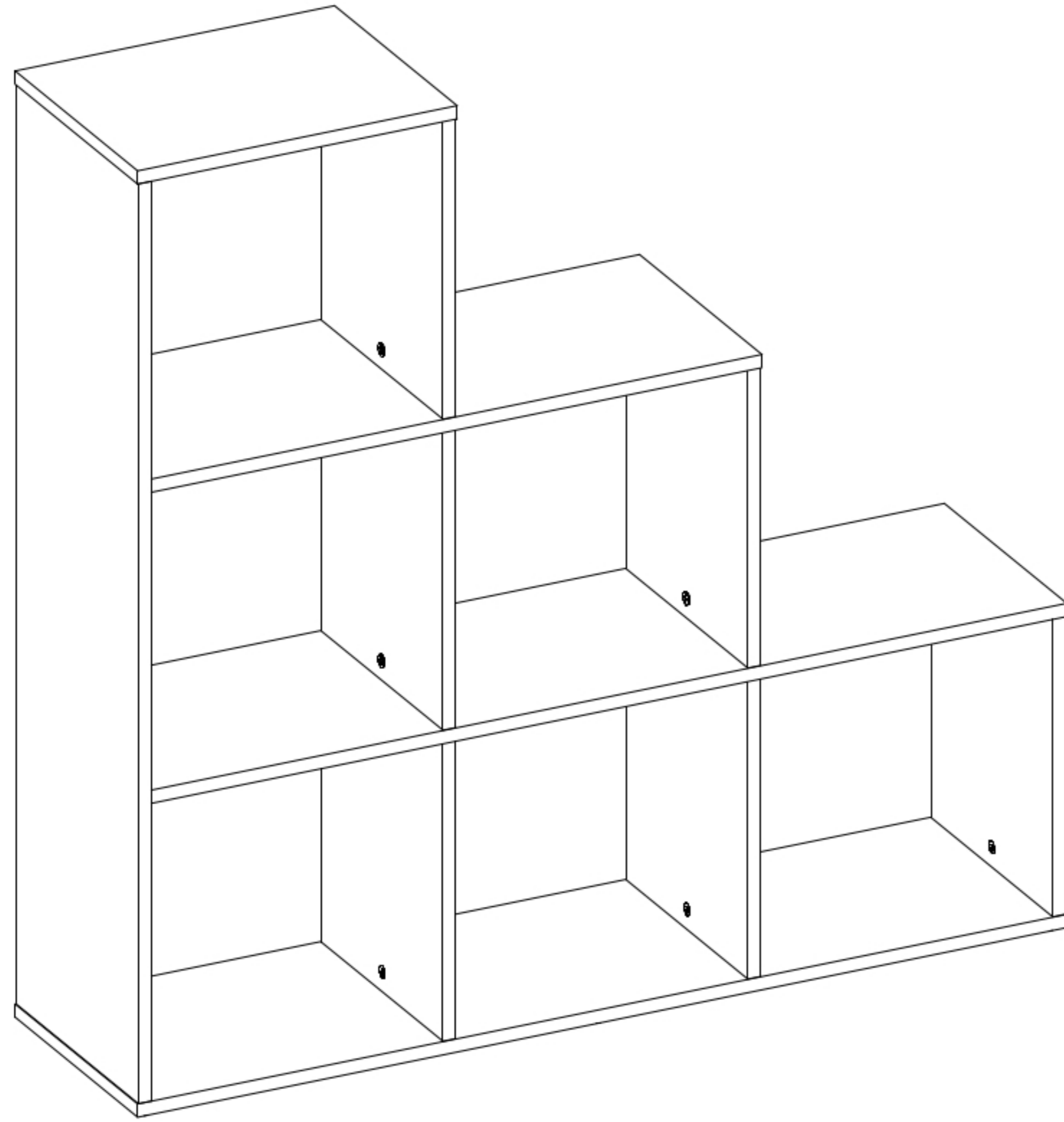











RS-30




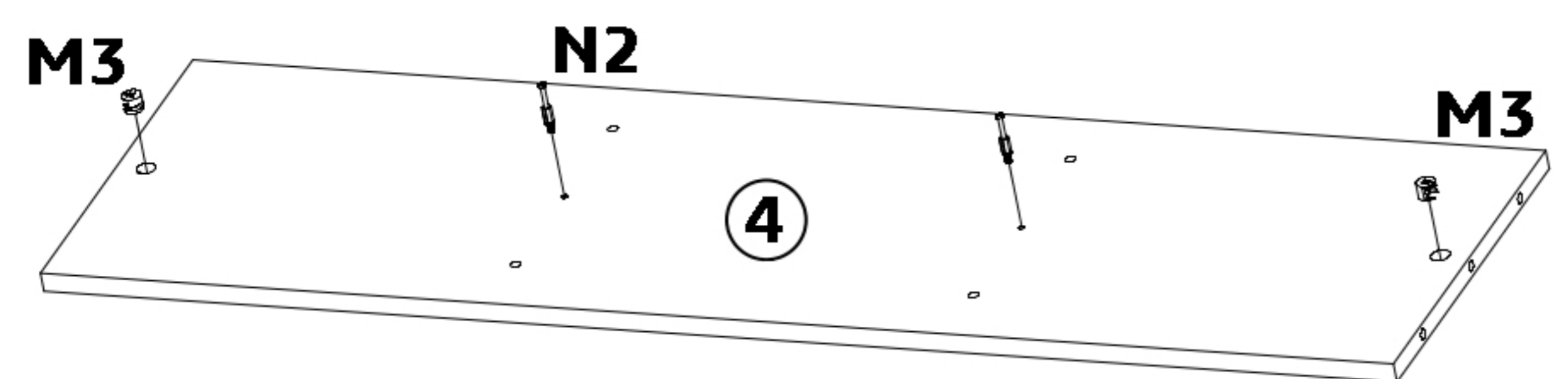
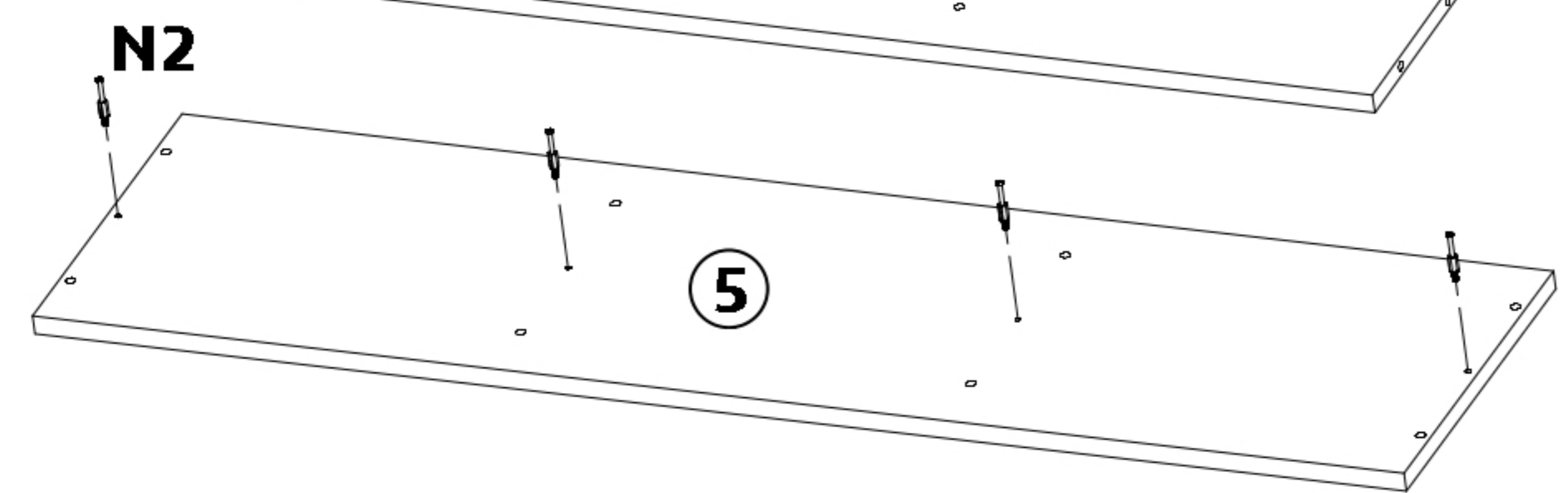
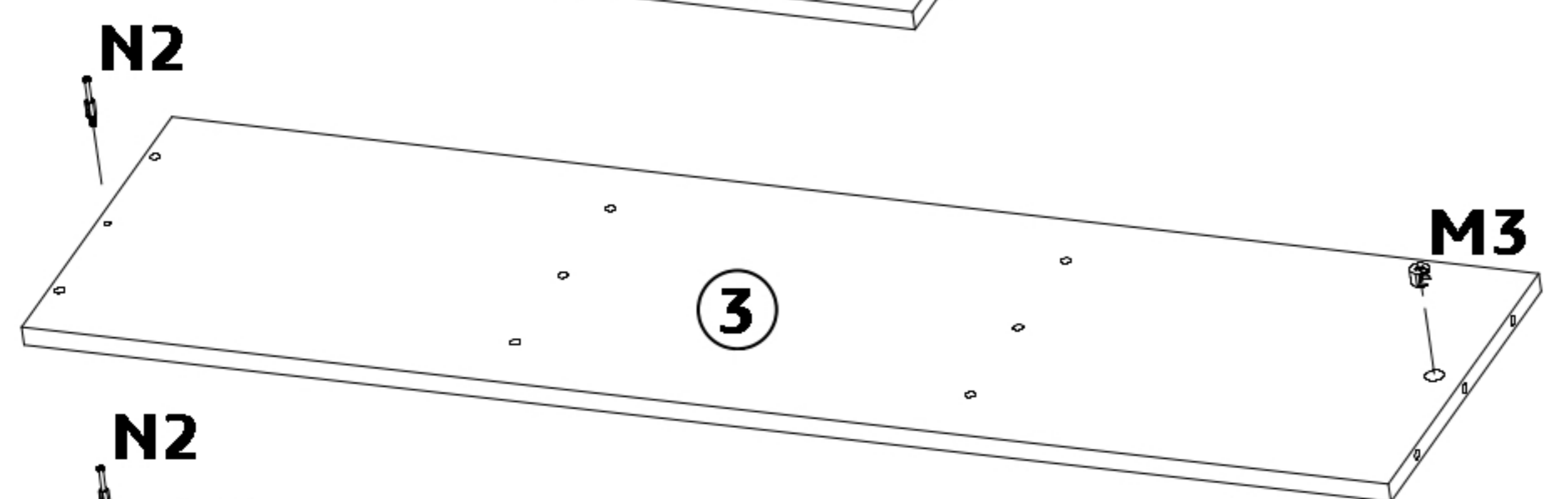
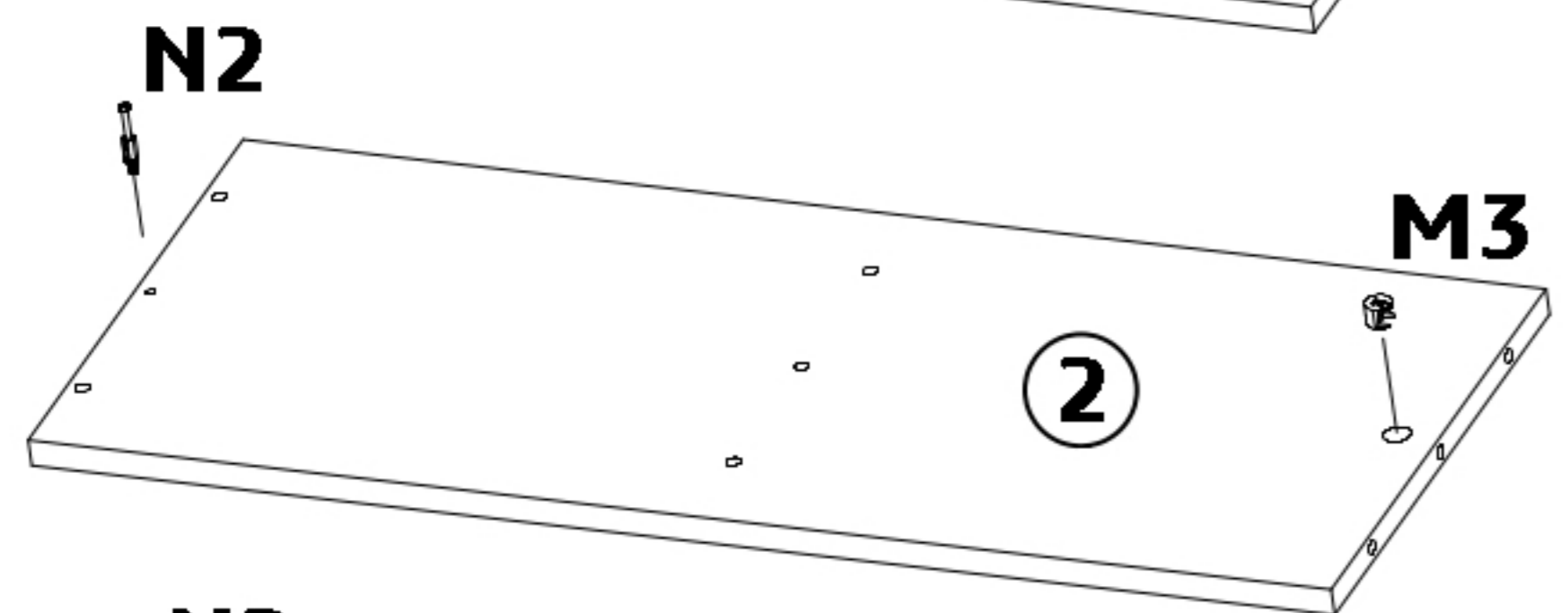
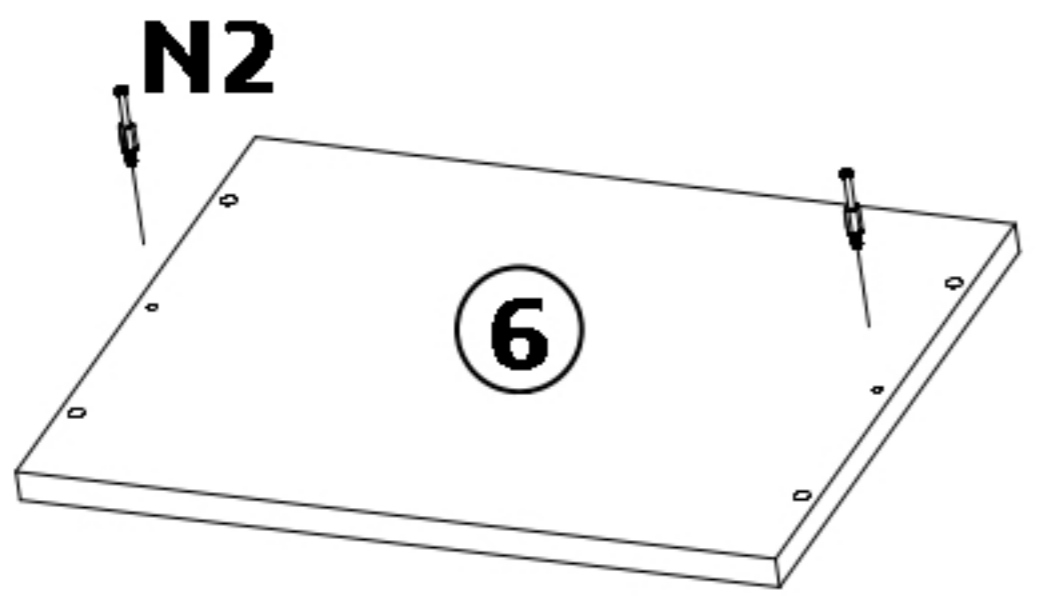
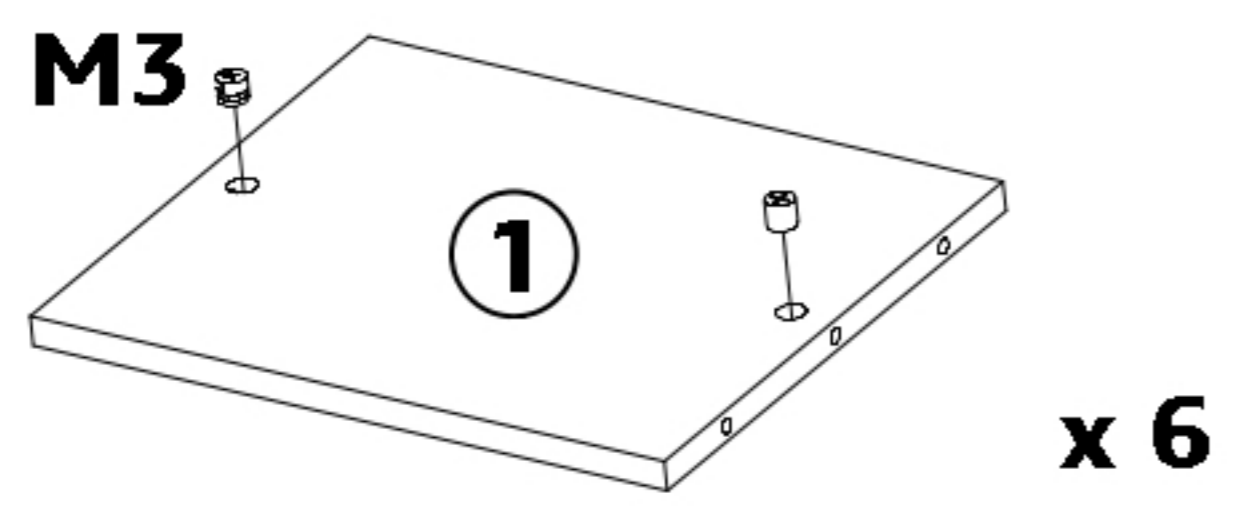
N2  20,3 x 10	M3  x 16	E1  8x30 x 20	E3  8x50 x 6	N3  L=56 x 3	T1  x 6	M2  x 16	 GLUE x 1
---	--	---	---	--	---	--	--

1	x 6
2	x 1
3	x 1
4	x 1
5	x 1
6	x 1


1


N2

20,3 x 10


M3

x 16

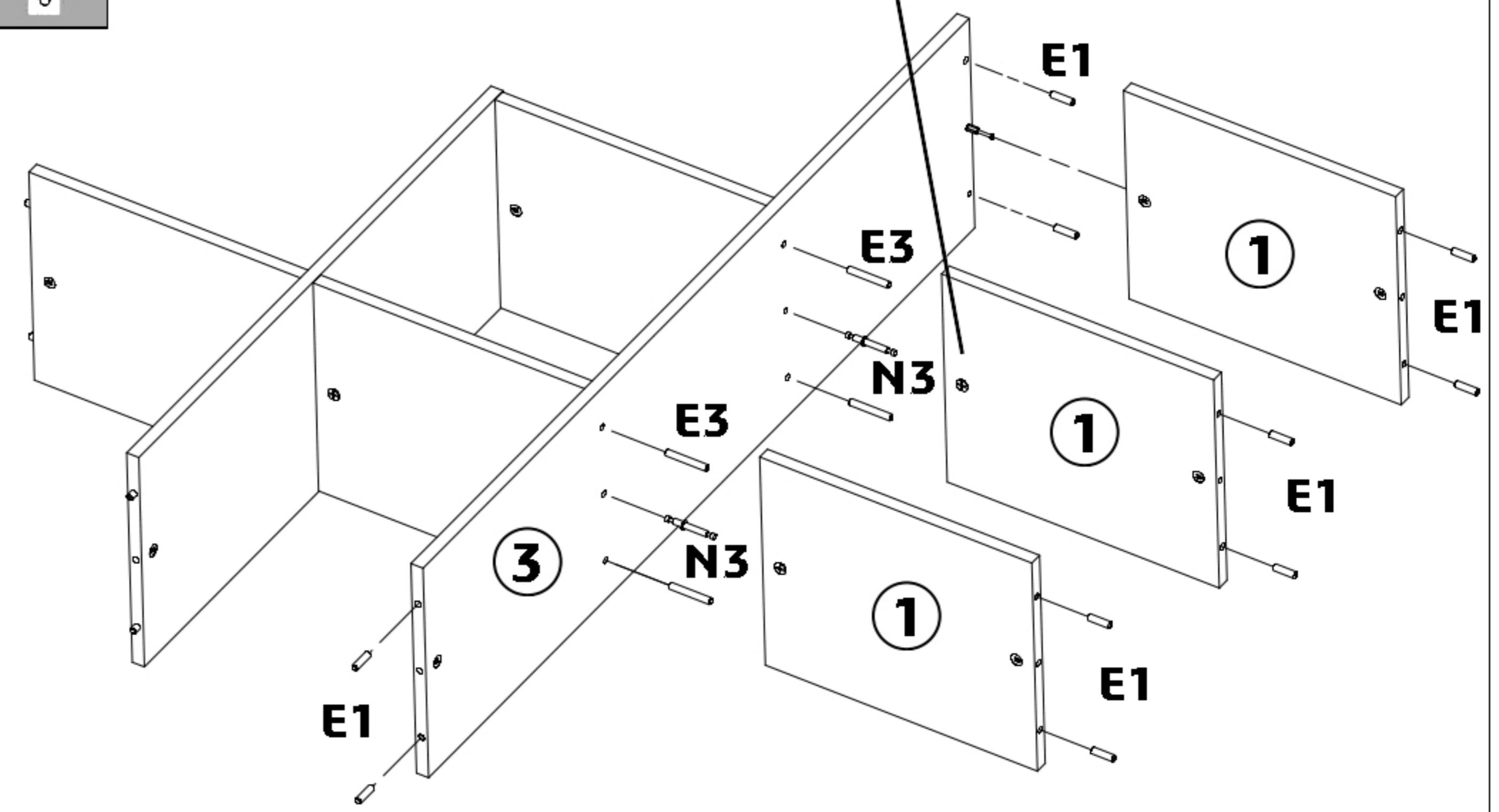
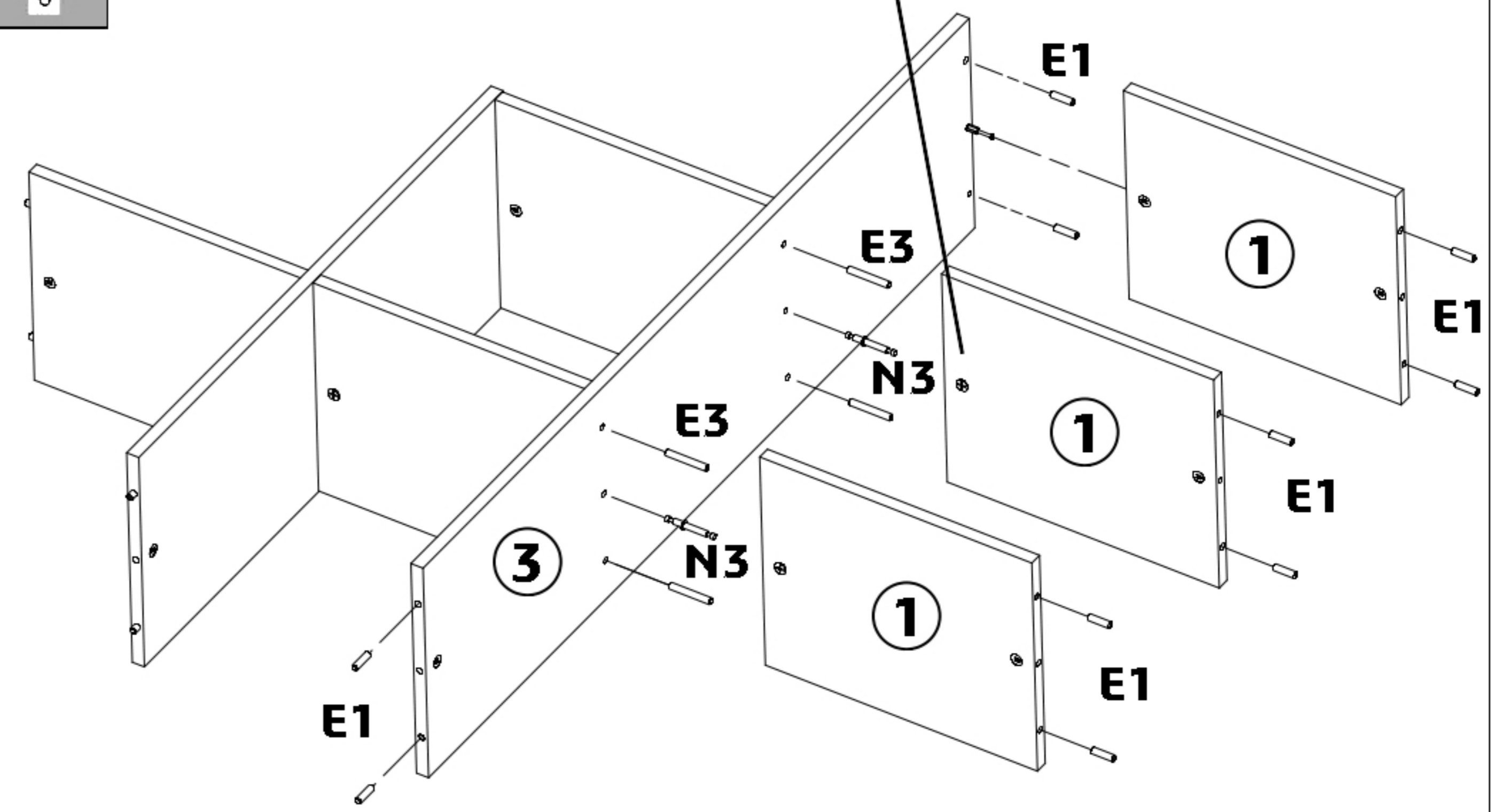
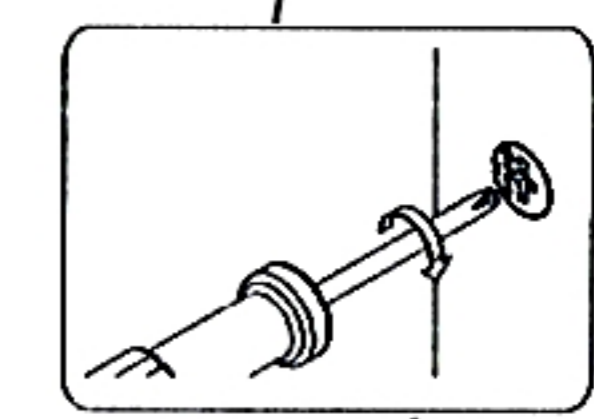
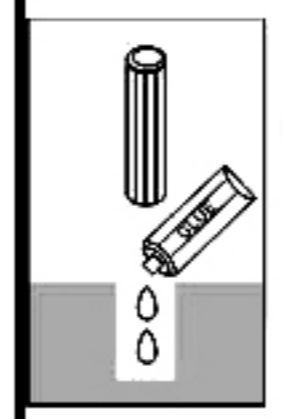
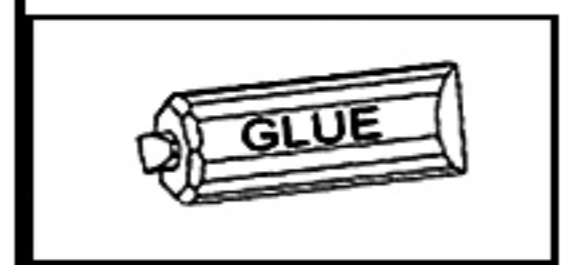
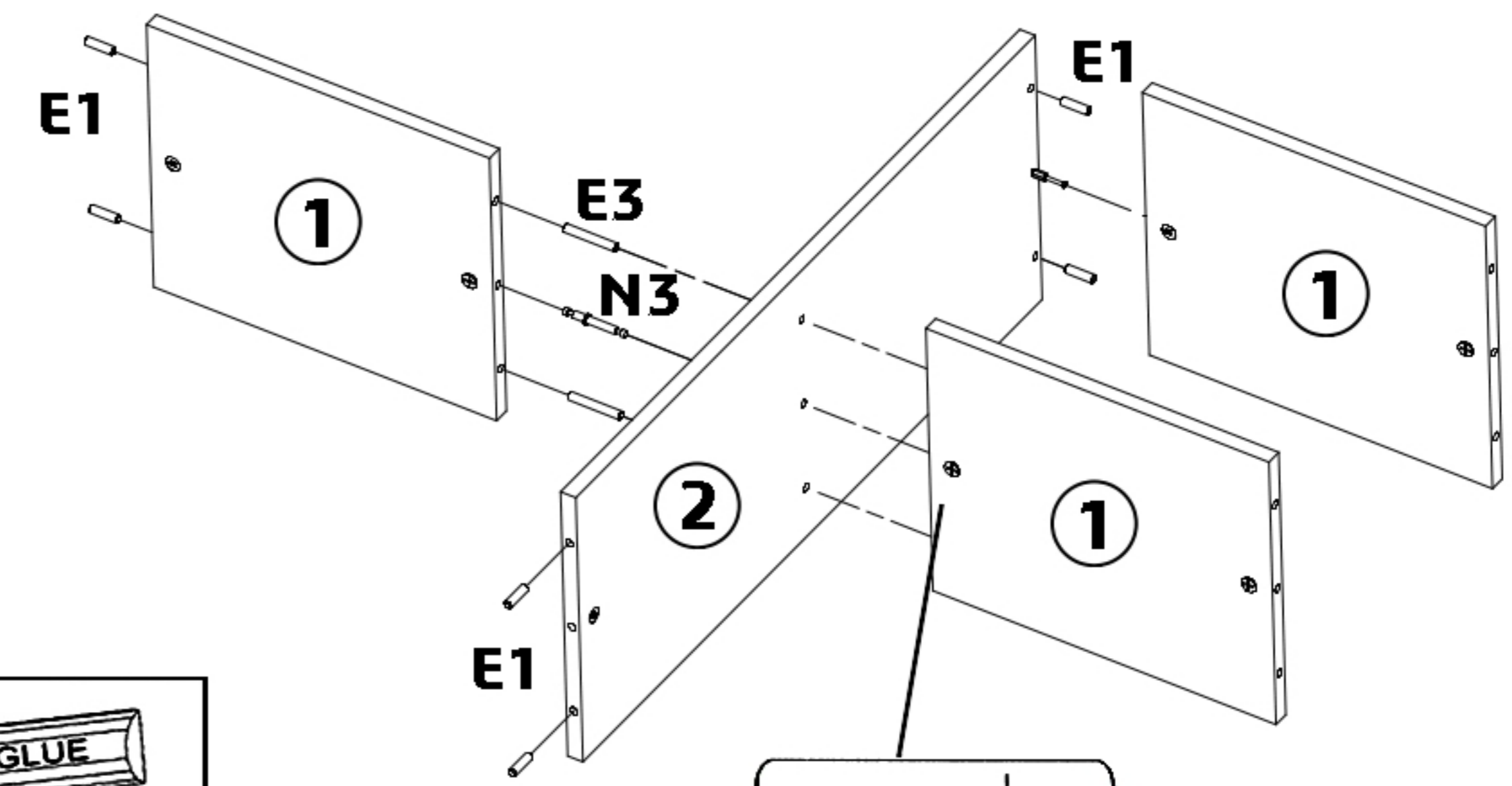


2

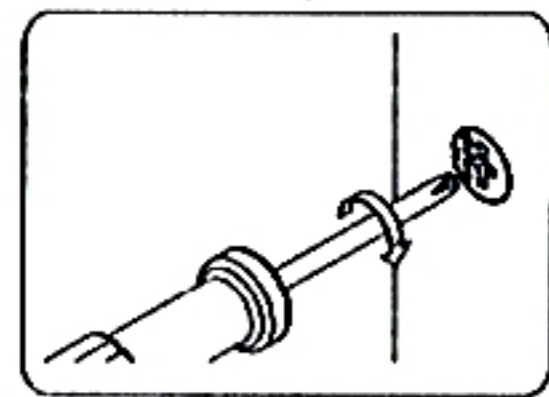
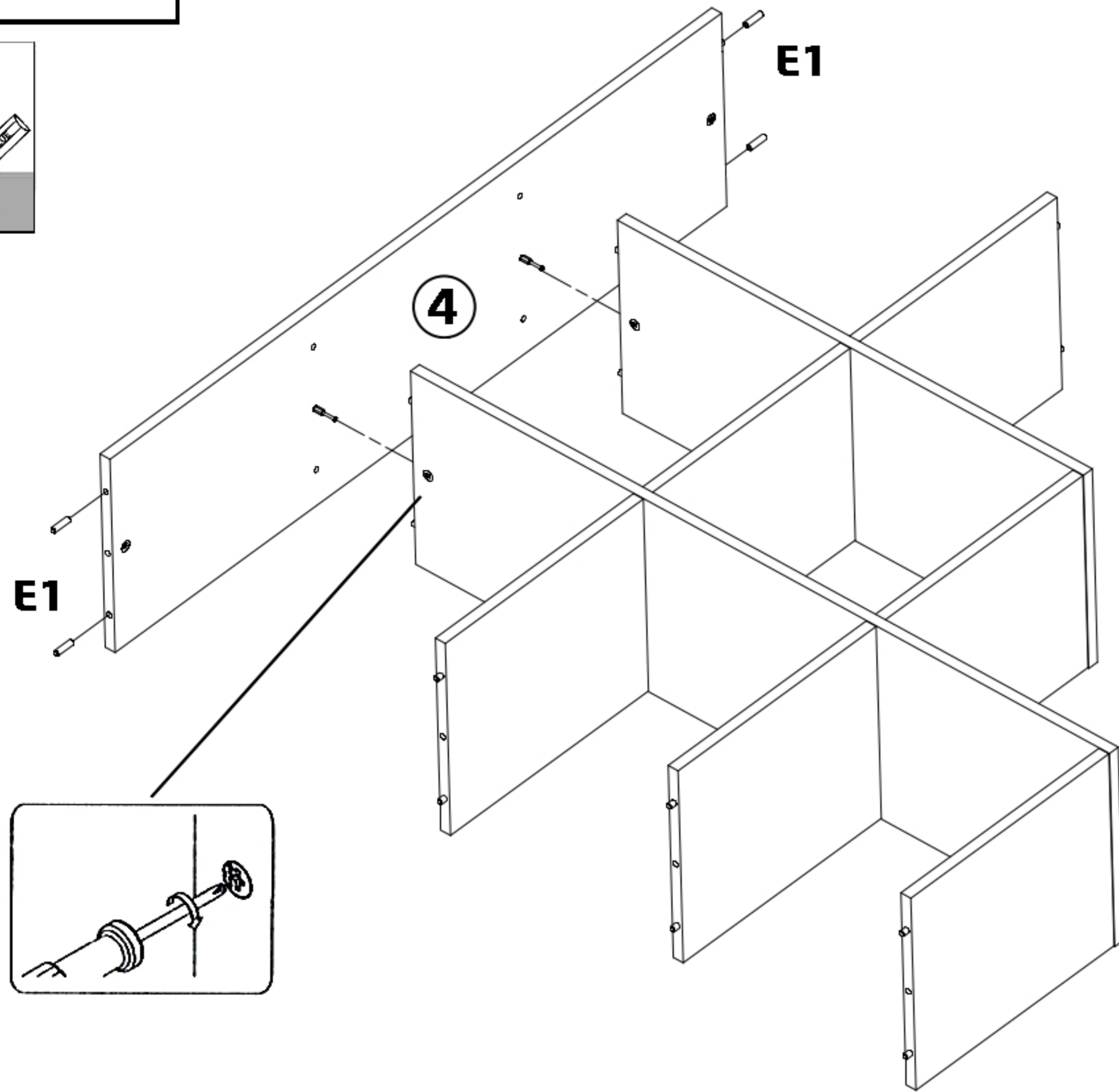
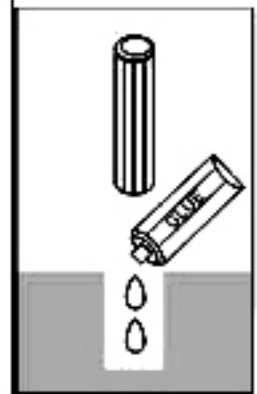
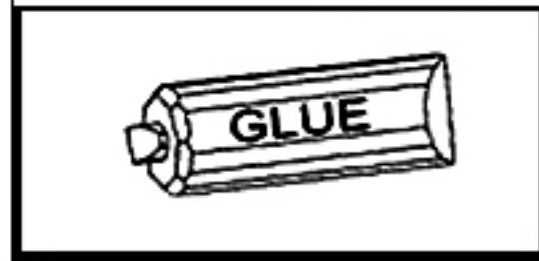
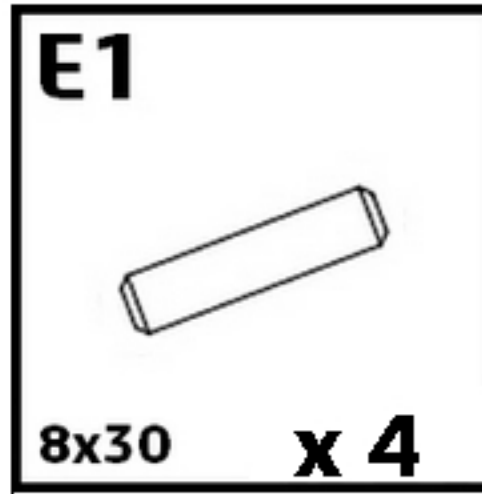
E1

8x30 x 16

E3

8x50 x 6

N3

L=56 x 3



3



4

