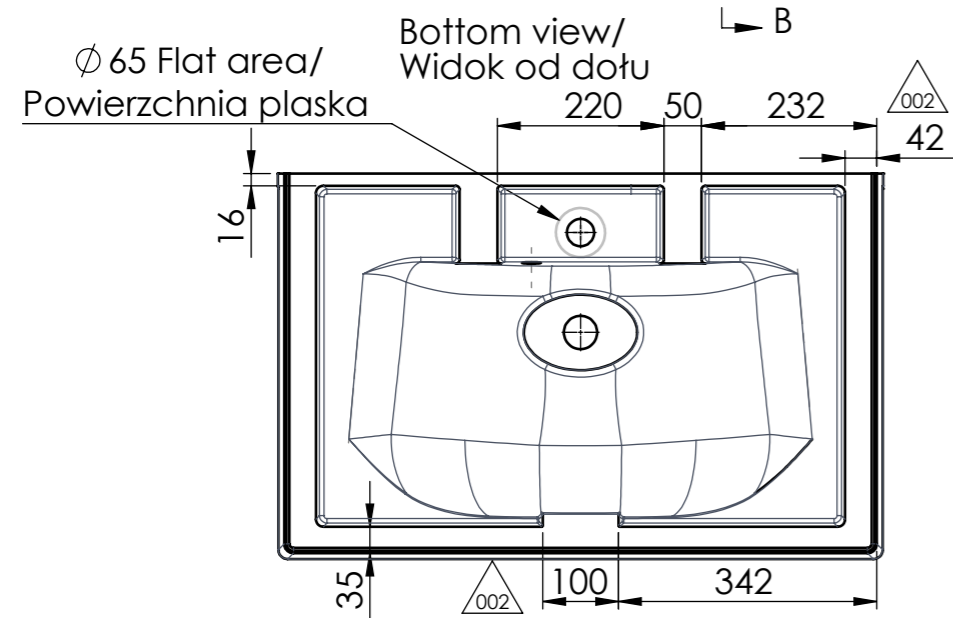
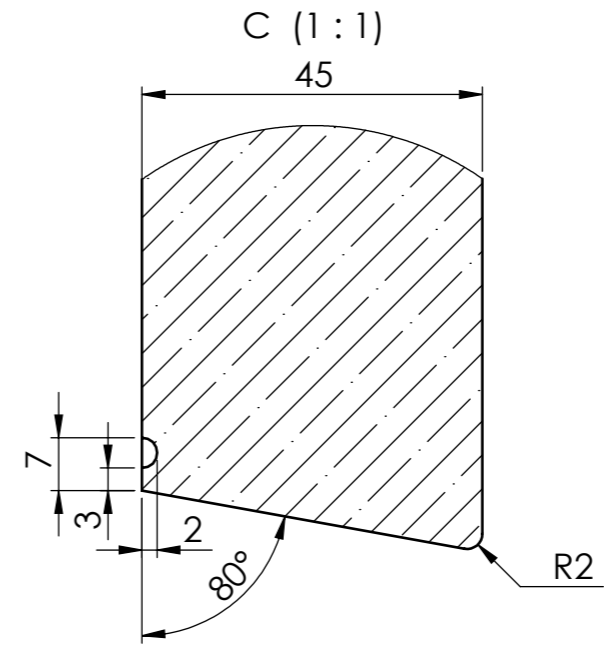
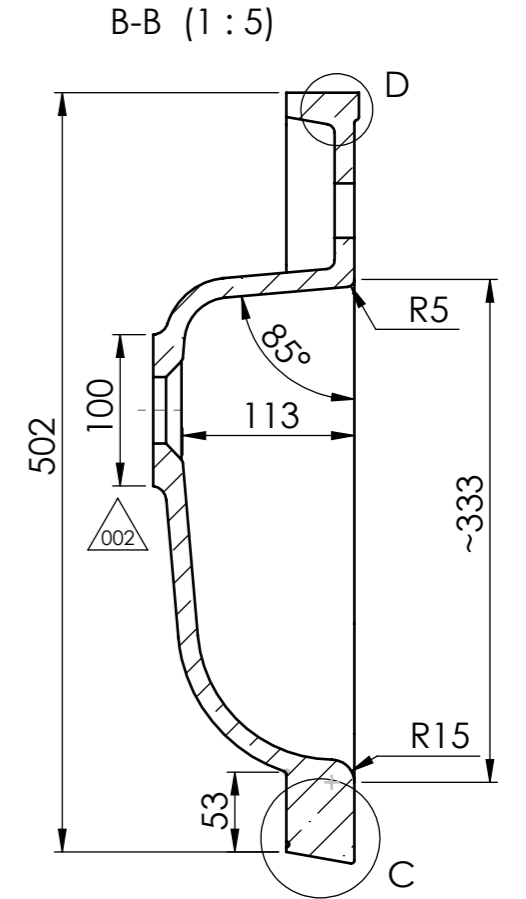
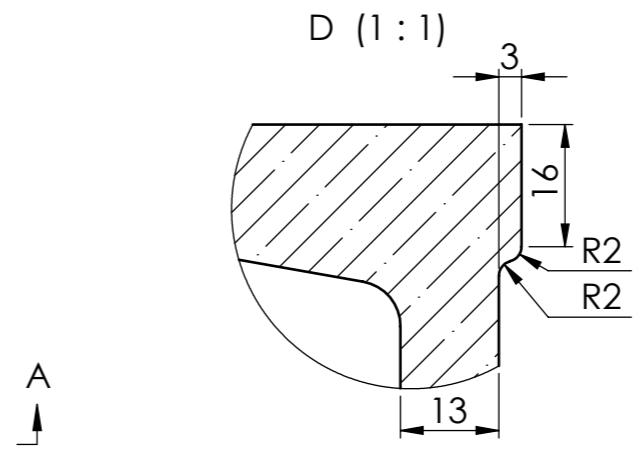
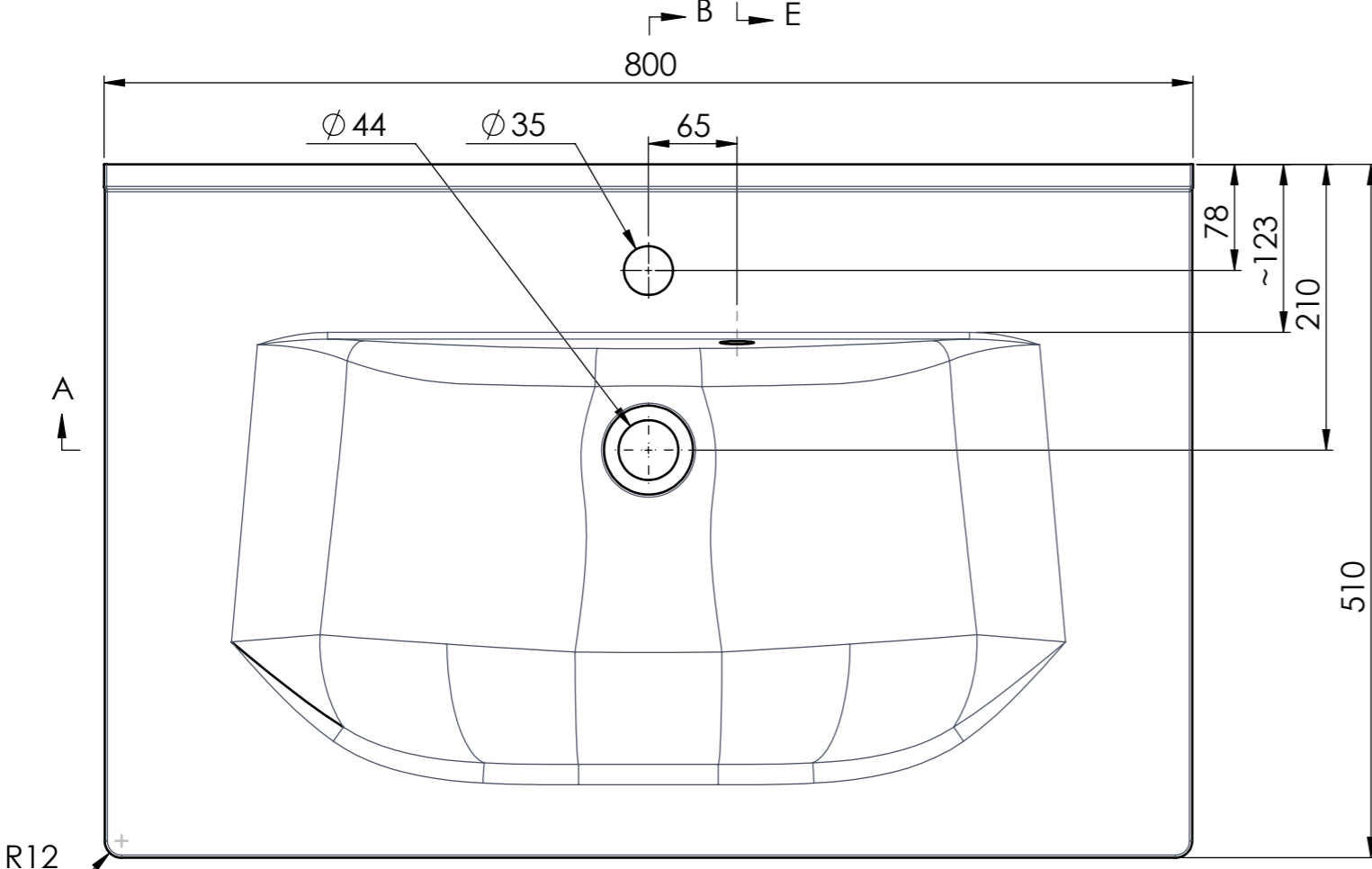
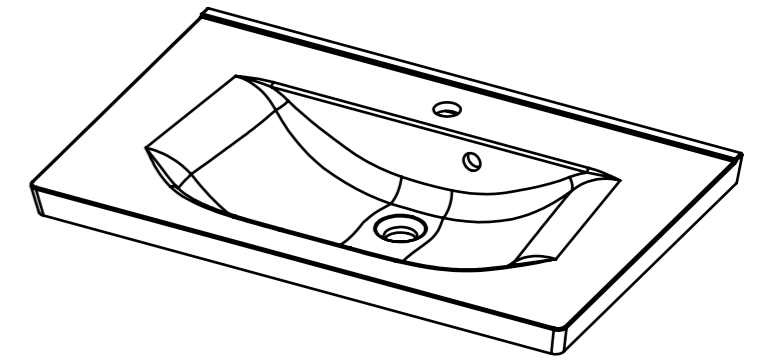
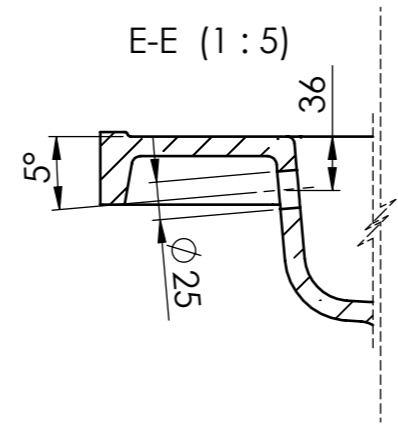
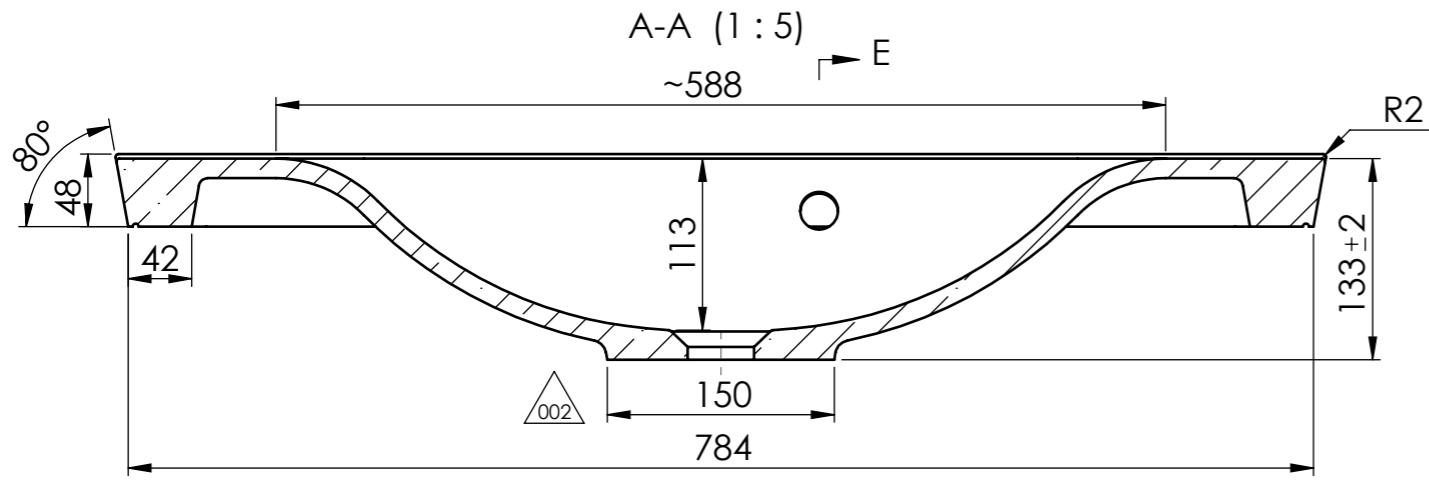


Rev	Design Change Note	Author	Date
001	First issue	PP	2012-09-03
002	Support added, dimension changed	PP	2012-09-03



Tolerance length	+3/-0 mm	Drawn by	Dahamni R	Created Date	2012-03-01	Checked by	Peter P	Art. Name:	MMWTR152 800C
Tolerance length granite	+1.5/-1.5 mm	Project status	Approved	Client	PELIPAL	Art. No.:	6114090811xx	Customer ID:	3329
Tolerance Taphole Location	+3/-3 mm	marmite [®]		Material volume [mm ³]	9496914.5	Overflow	Yes	Taphole	1
Tolerance overflowhole Location	+3/-3 mm			Surface area [mm ²]	1115379.8	Sheet Size	A3	Scale	1:2
Tolerance plane bending	+1.5/-1.5 mm			Current revision	002			Drain	Regular

This document must not be copied without our written permission, and the contents thereof must not be imparted to a third party nor be used for any unauthorized purpose. Contravention will be prosecuted.