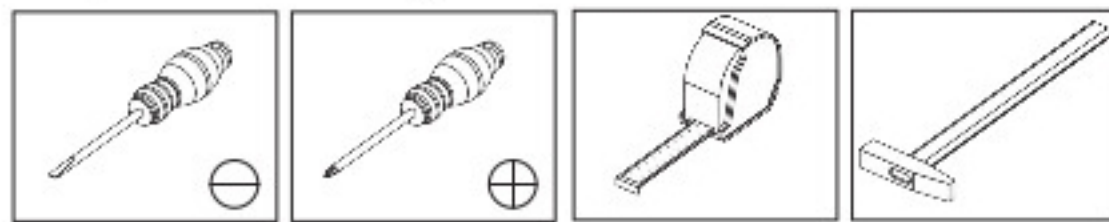
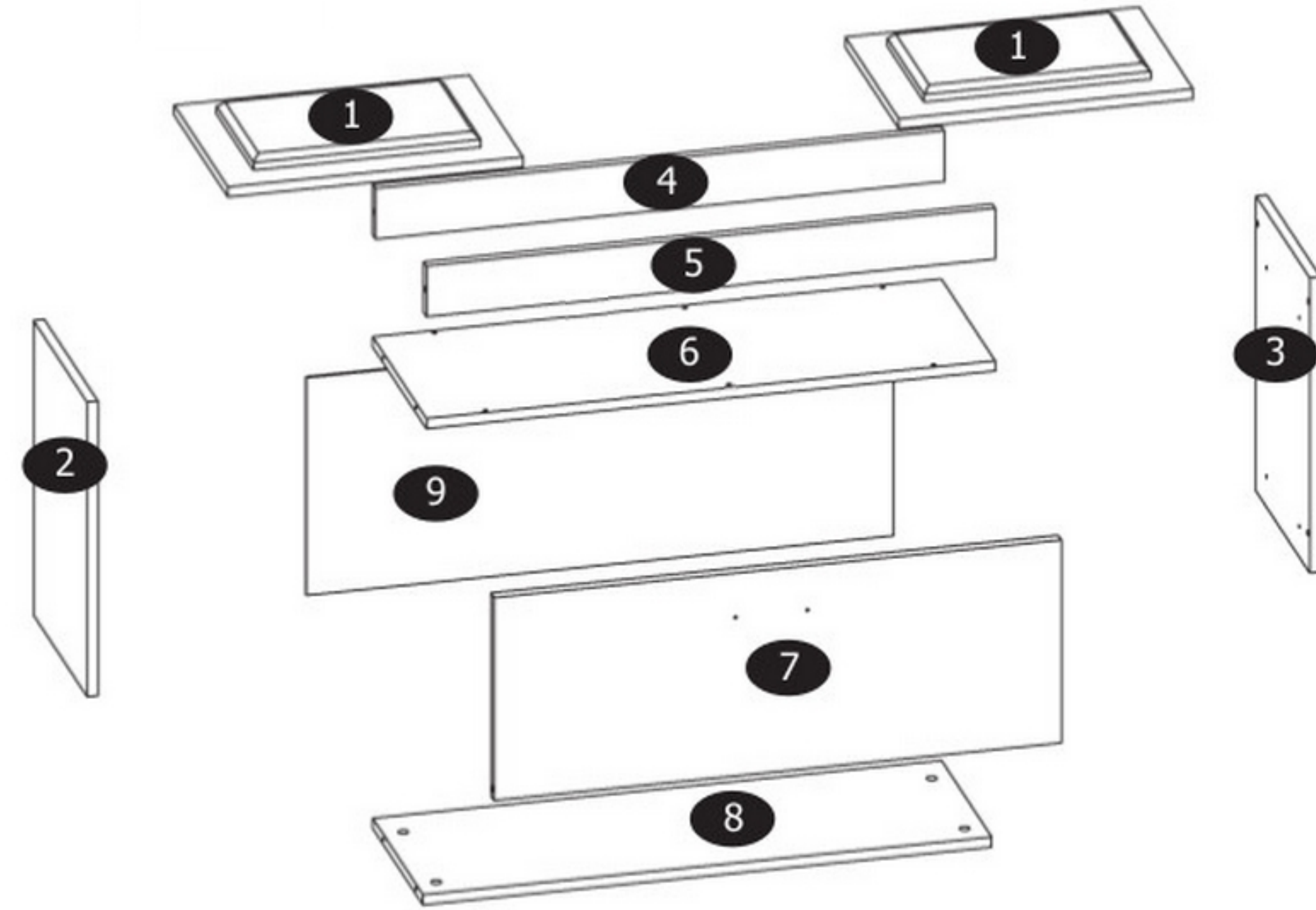
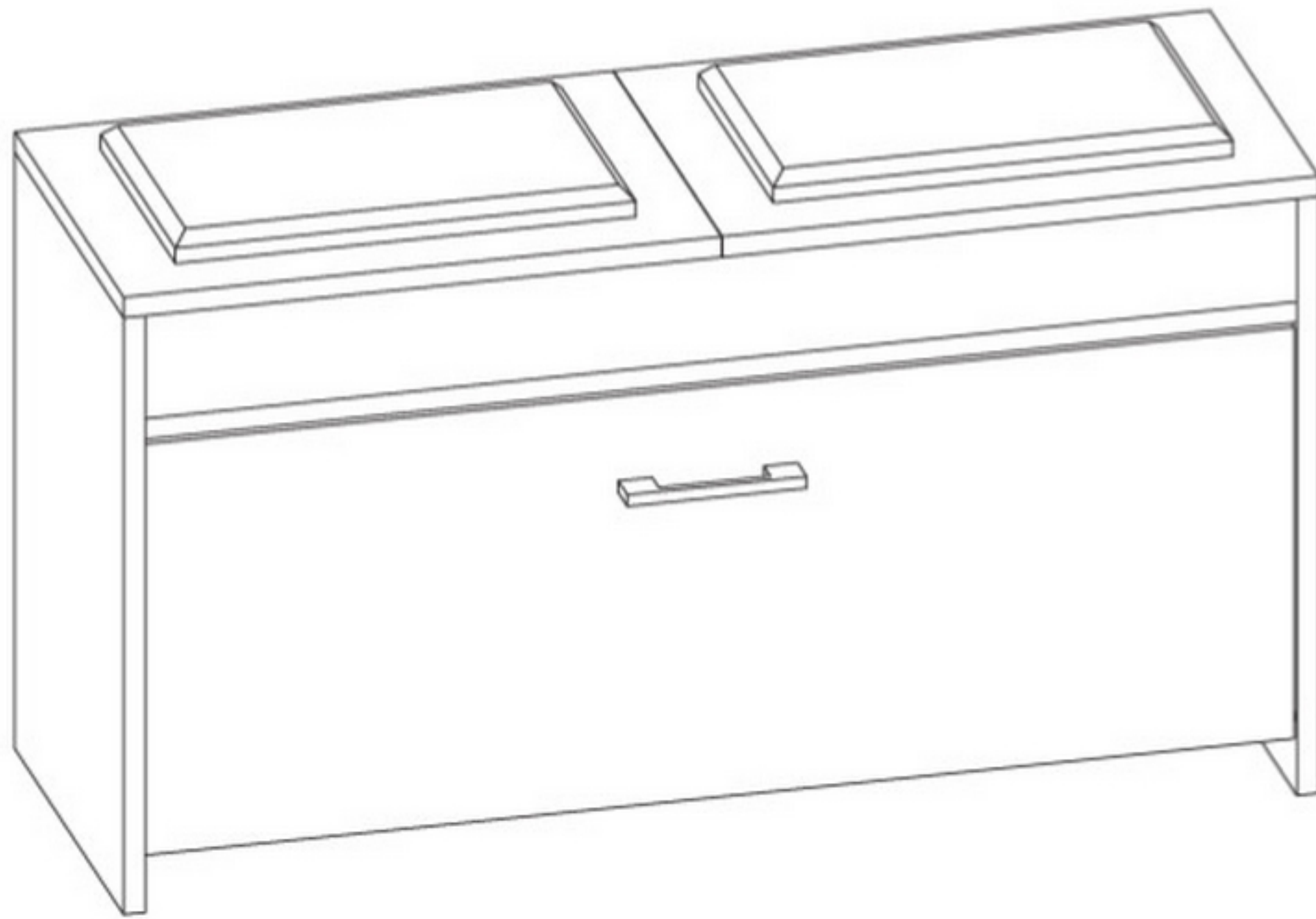
















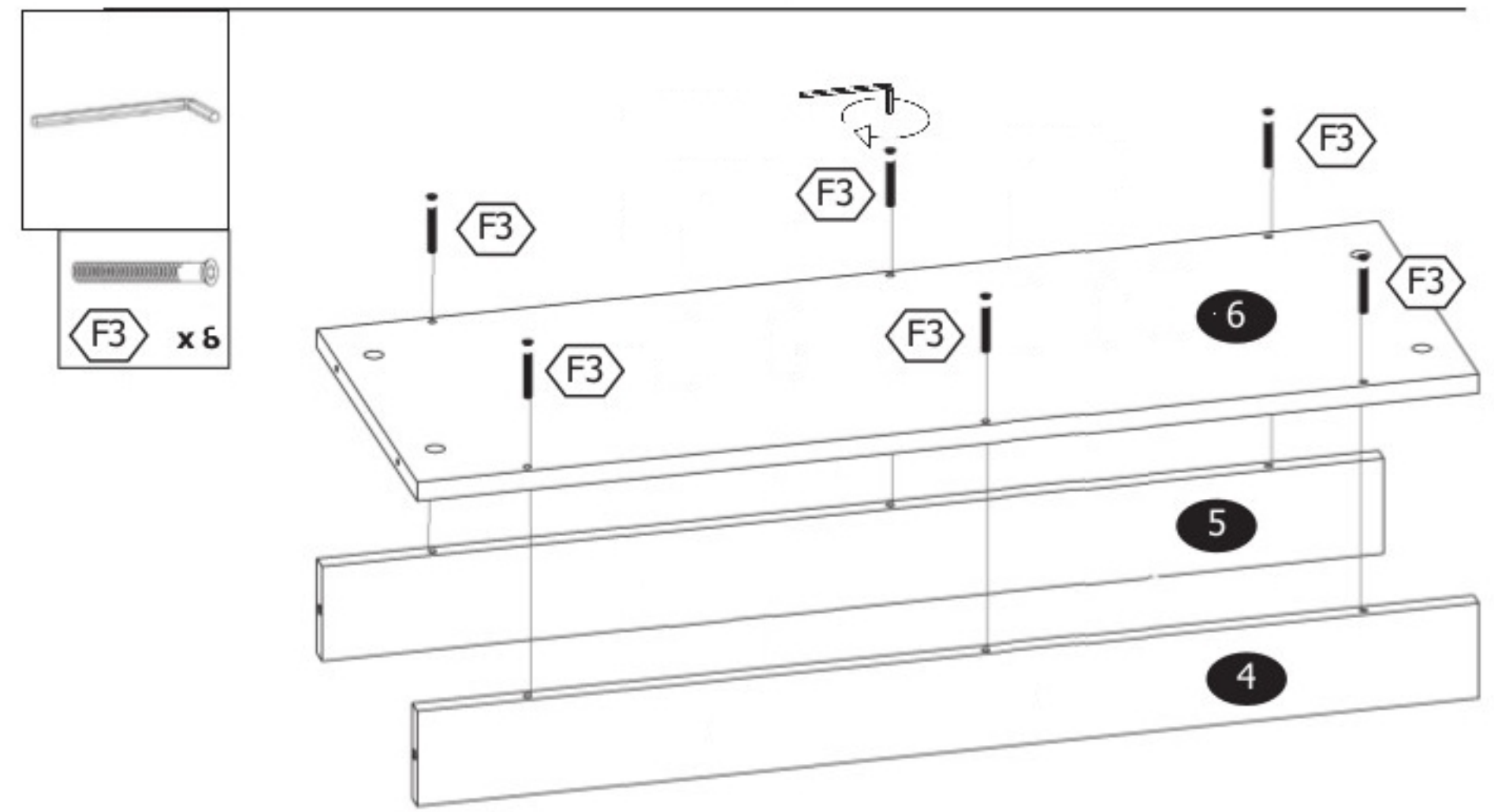
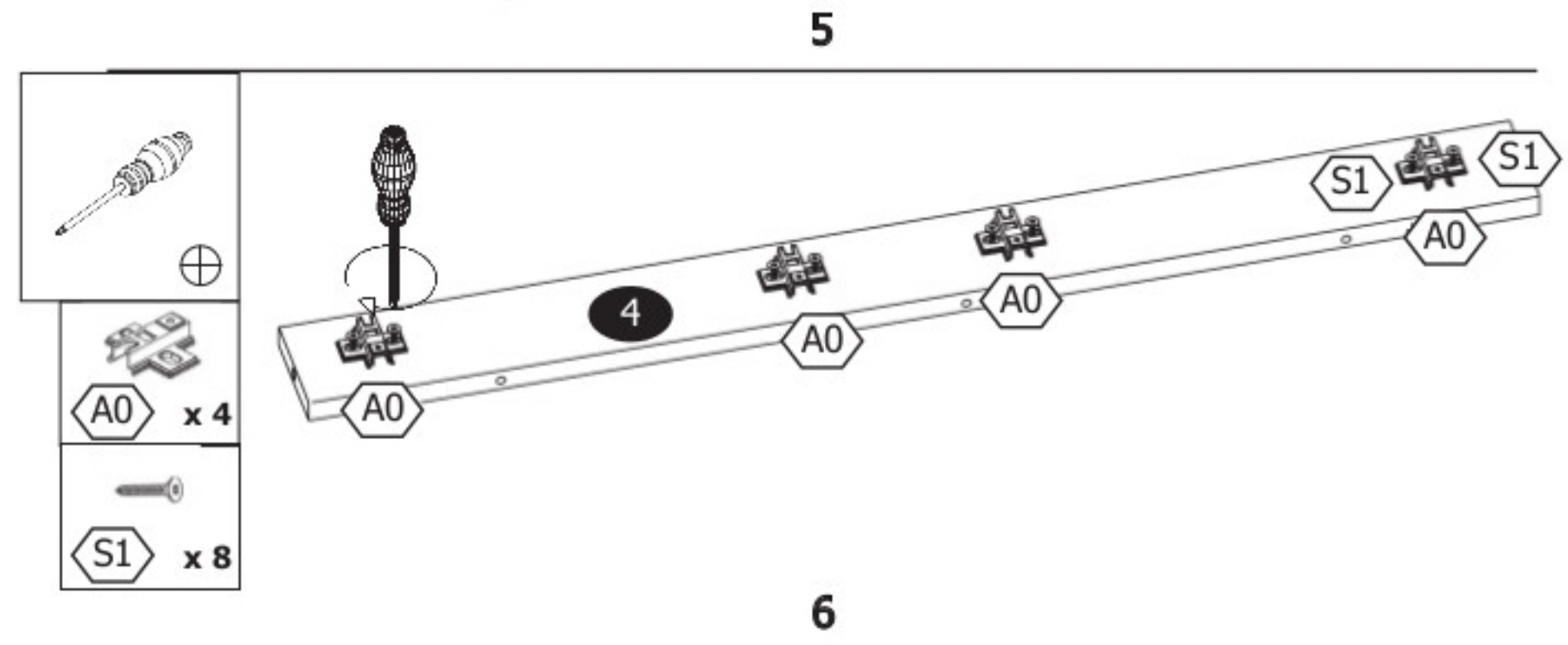
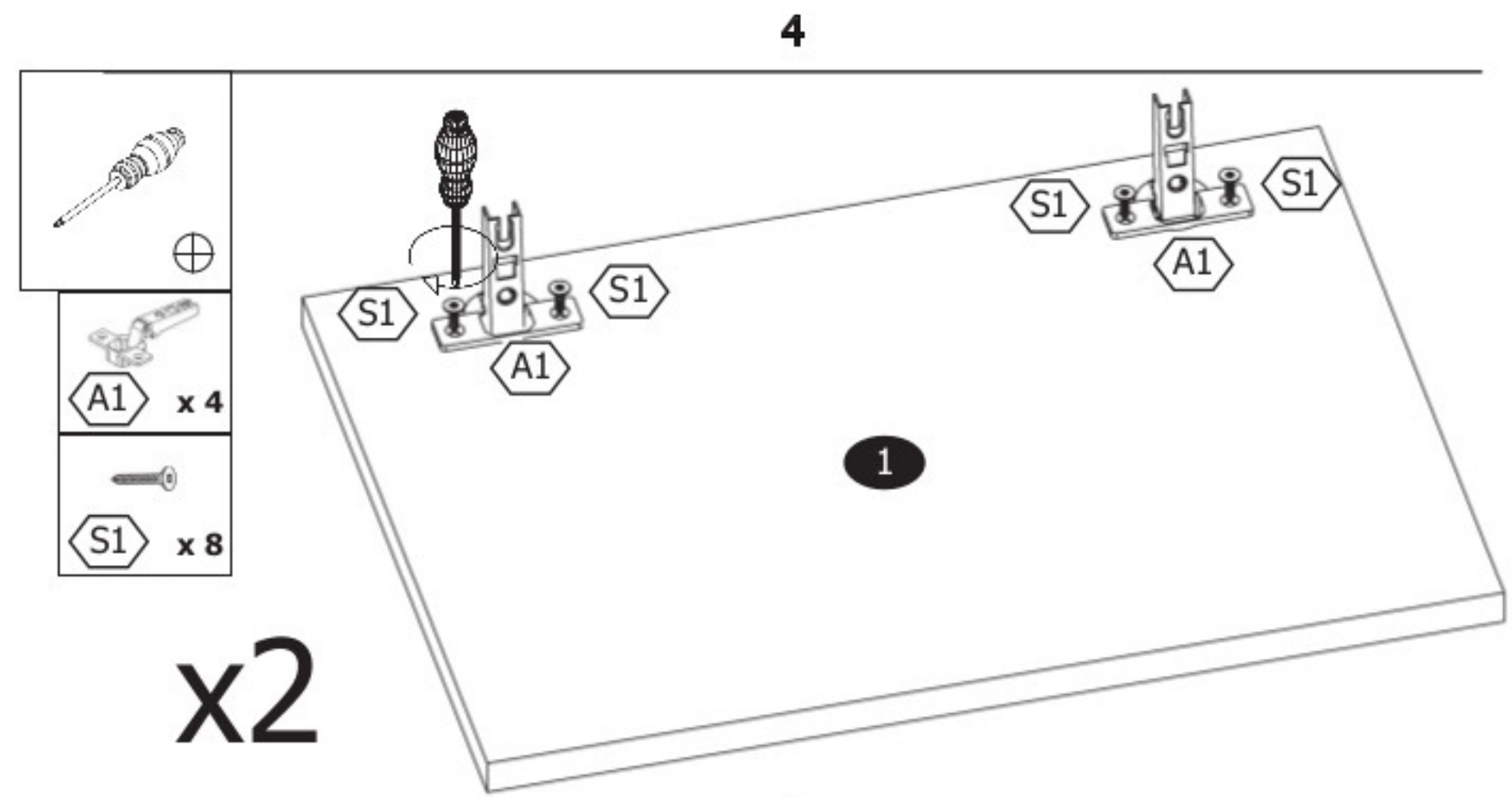
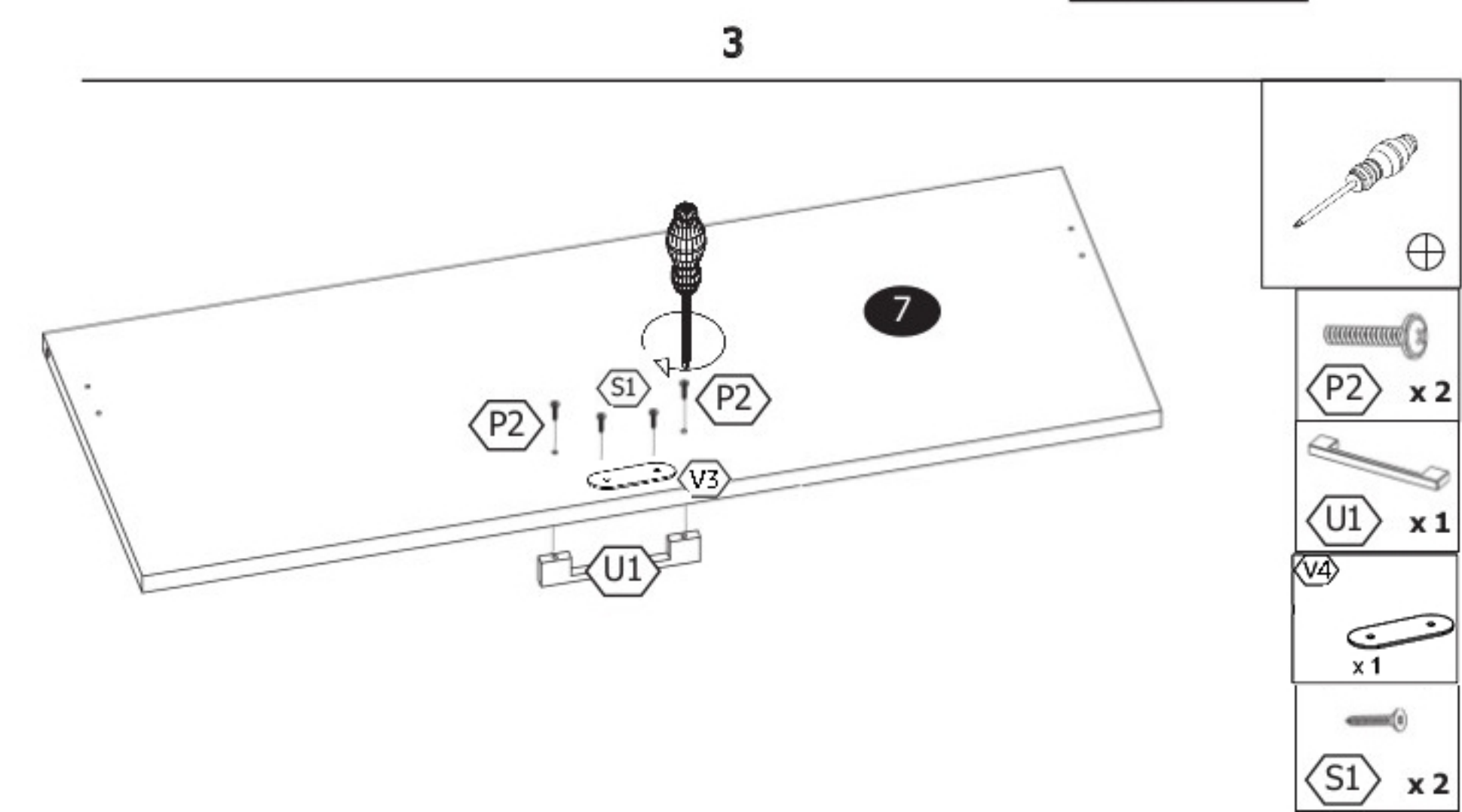
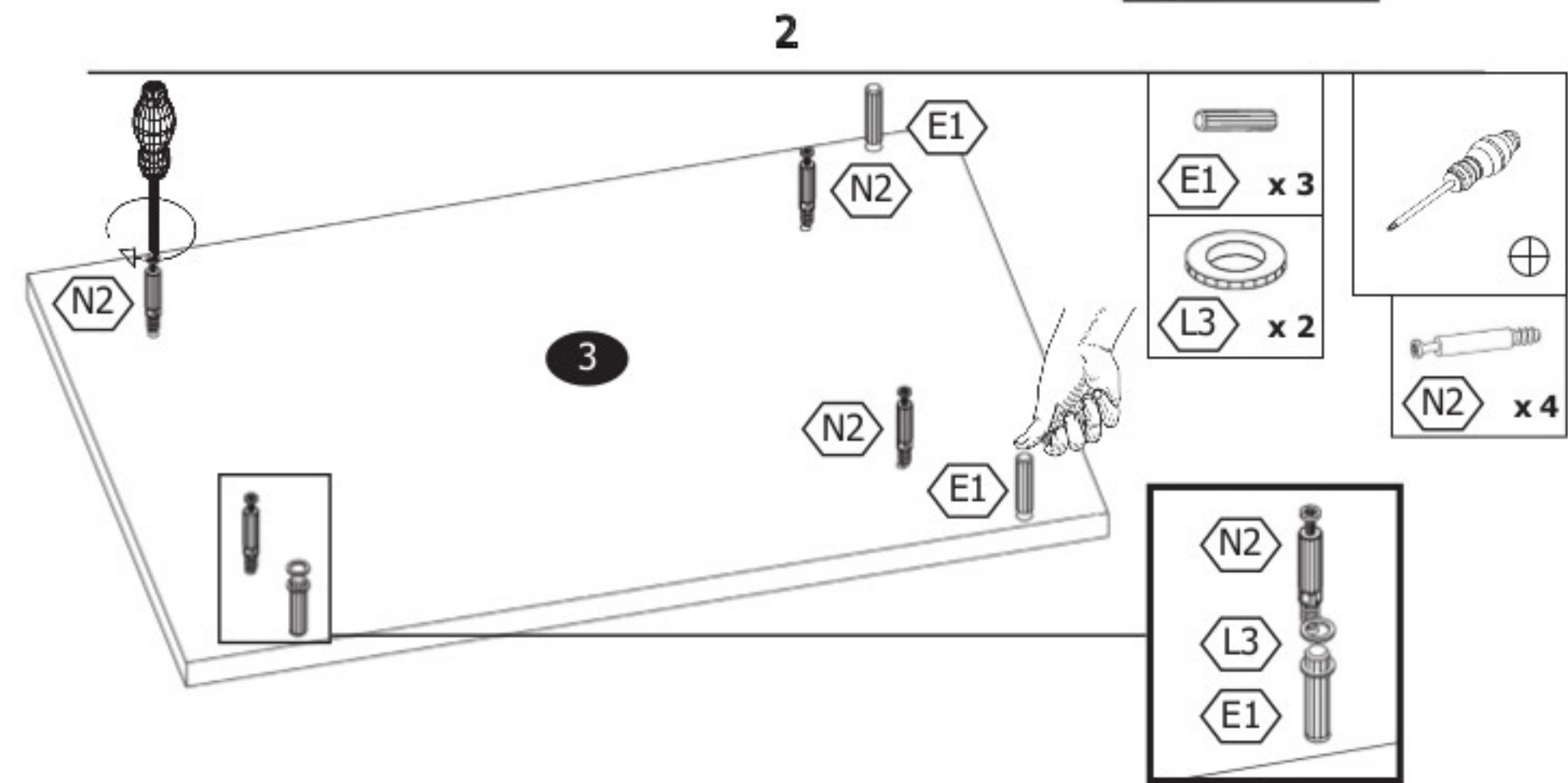
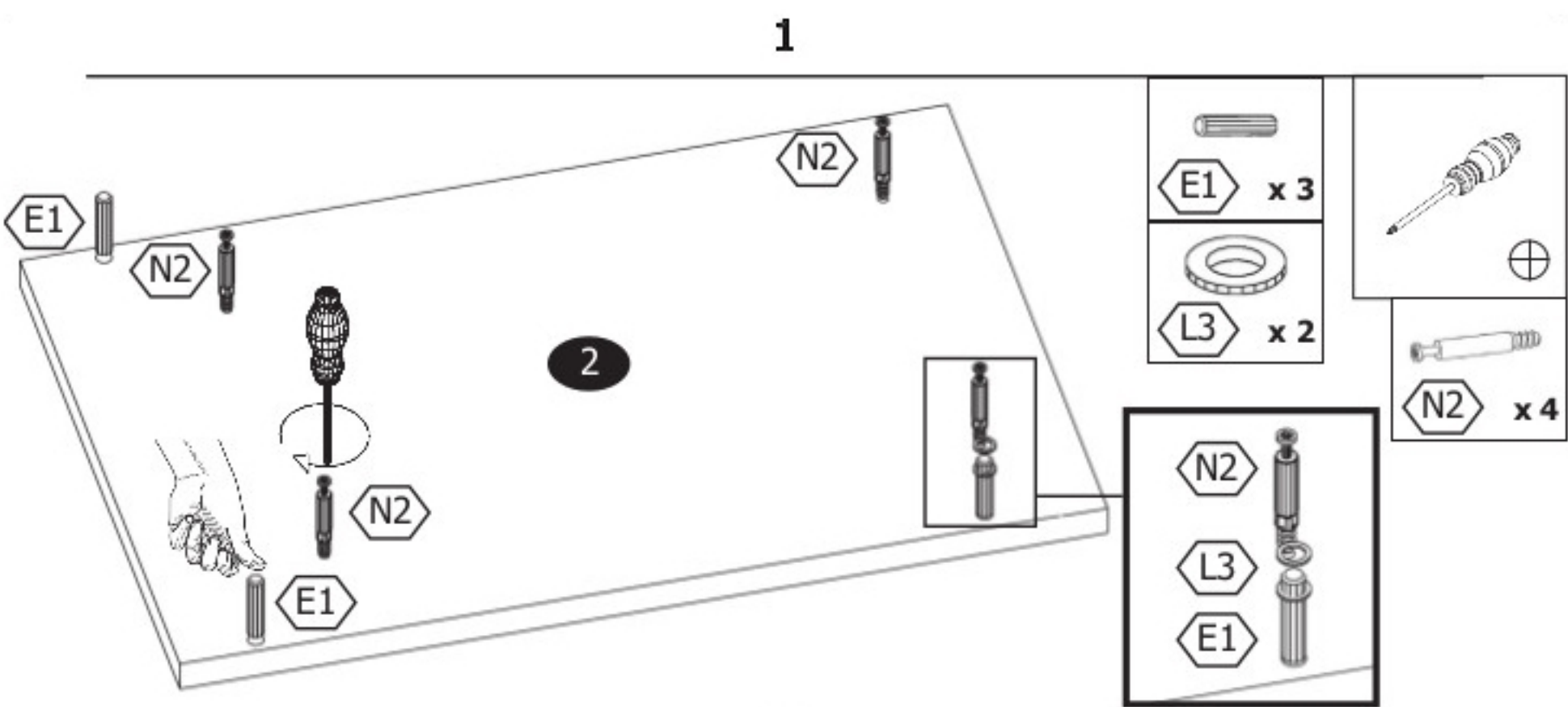
ROMA

16.11.2018

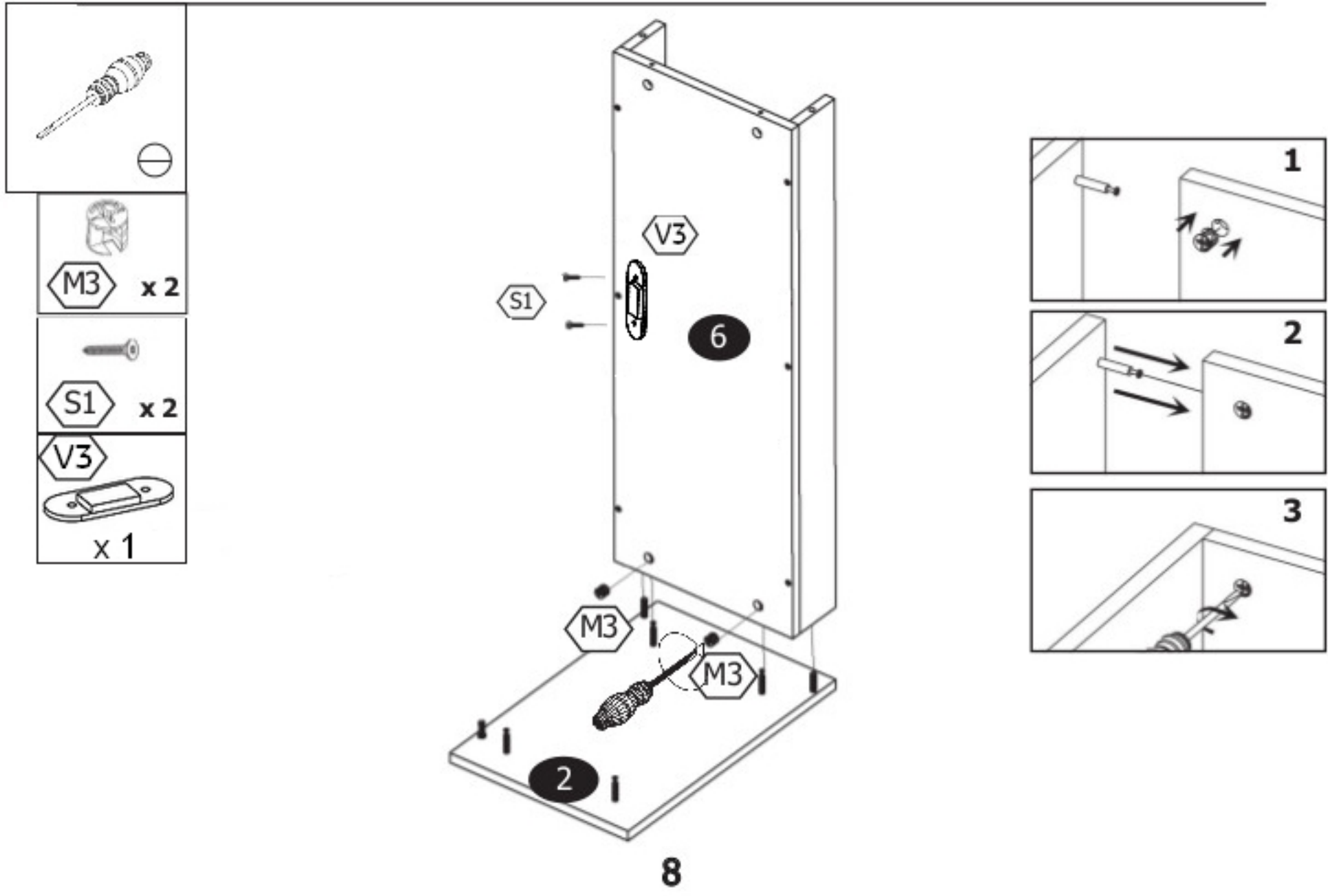


E1  Φ8x35mm x 6	L3  x 4	N2  x 8
Z1  x 18	P2  x 2	S1  x 24 Φ3,5x16mm
F3  x 6	U1  x 1	M3  x 8
A1  4x	A0 	V2  x 1
	V3  x 1	V4  x 1

1 x 2	7 x 1
2 x 1	8 x 1
3 x 1	9 x 1
4 x 1	
5 x 1	
6 x 1	

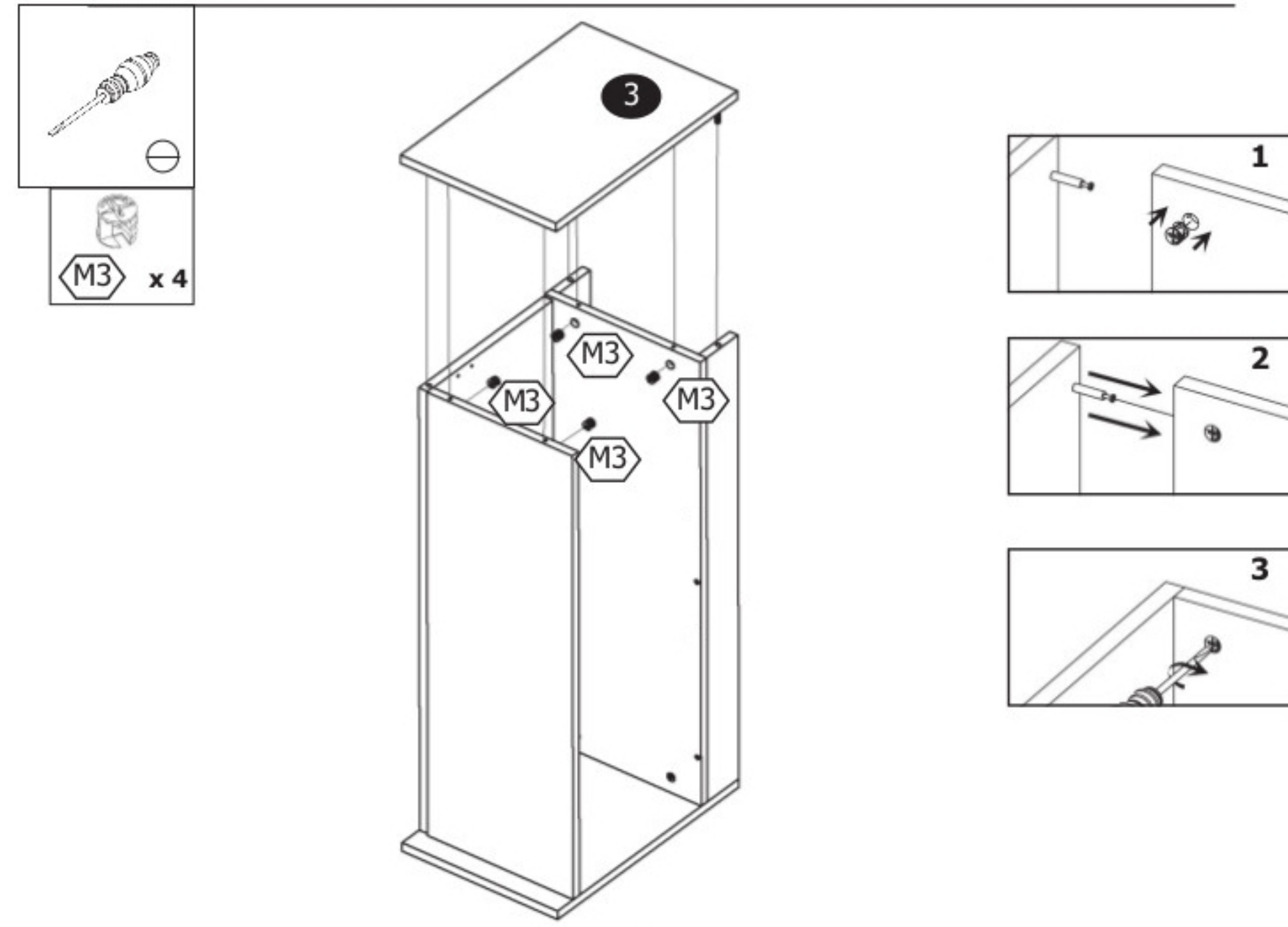


7

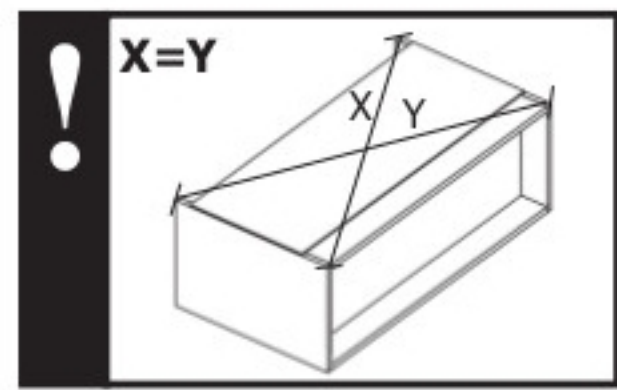
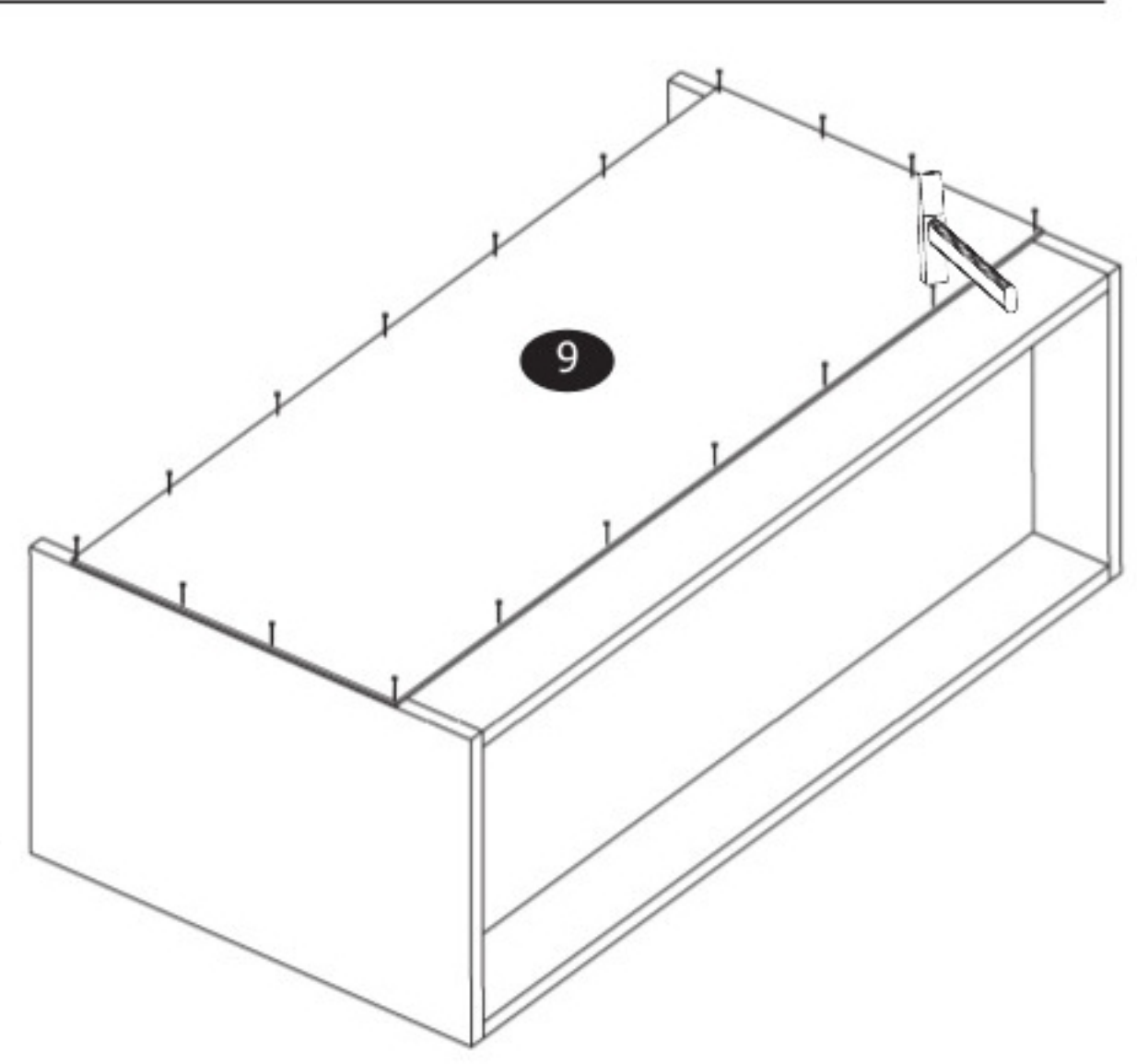
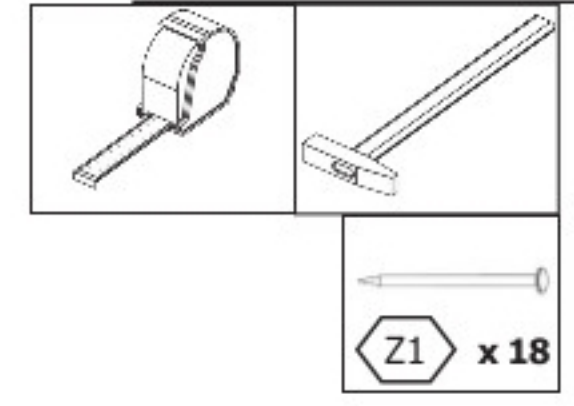
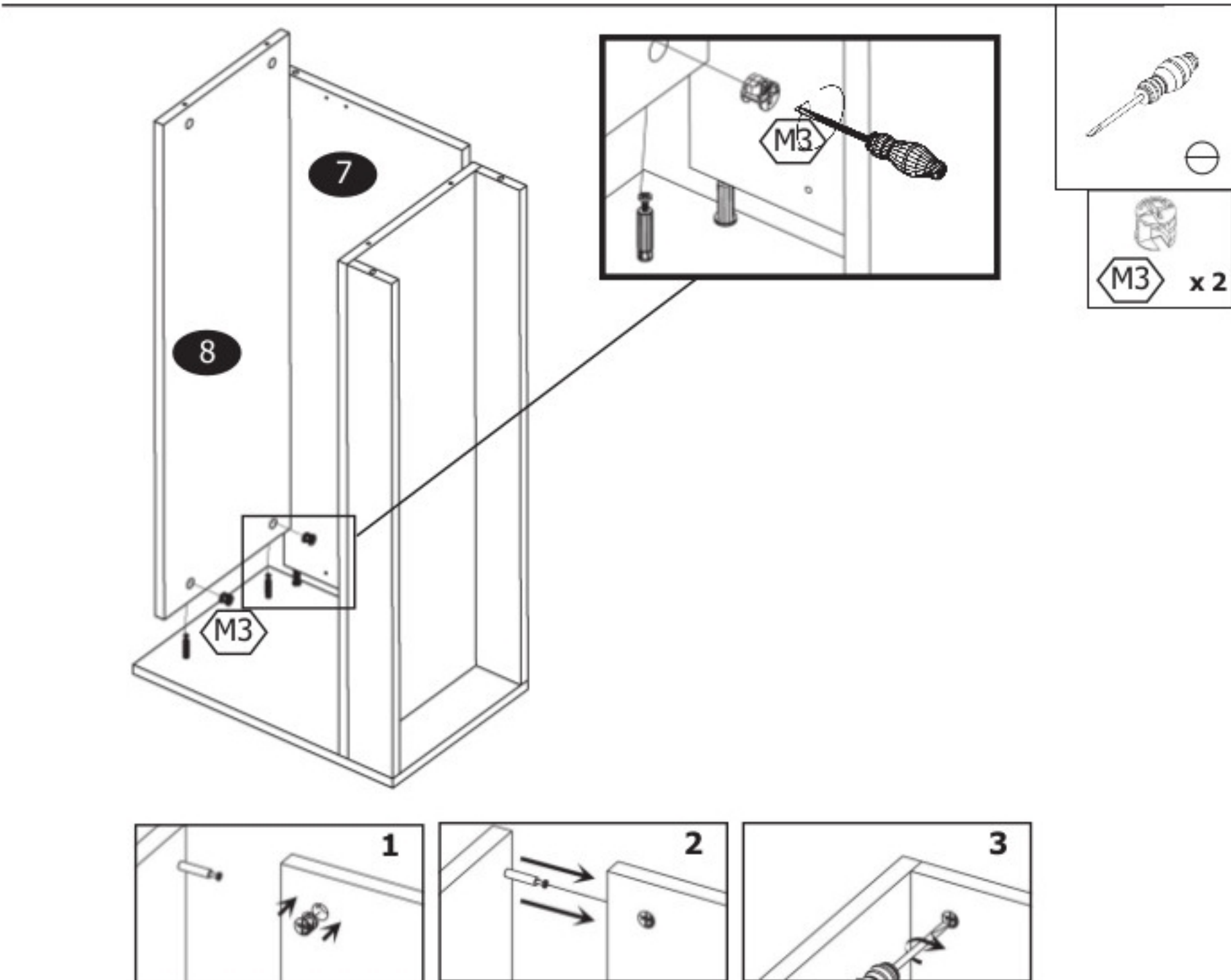


8

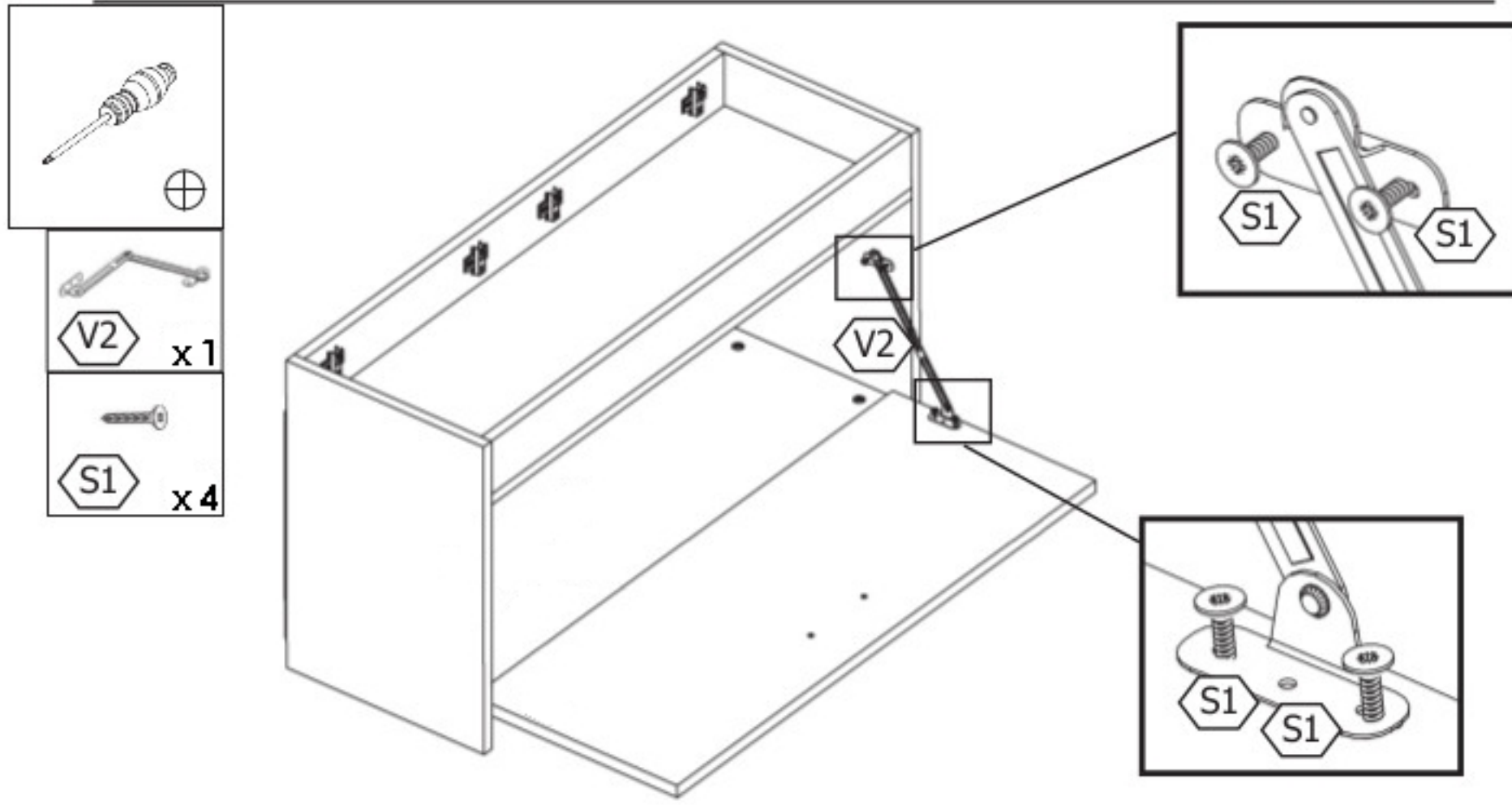
9



10



11



12

