










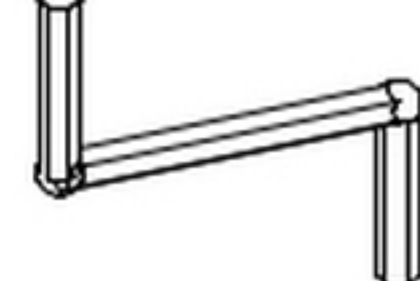




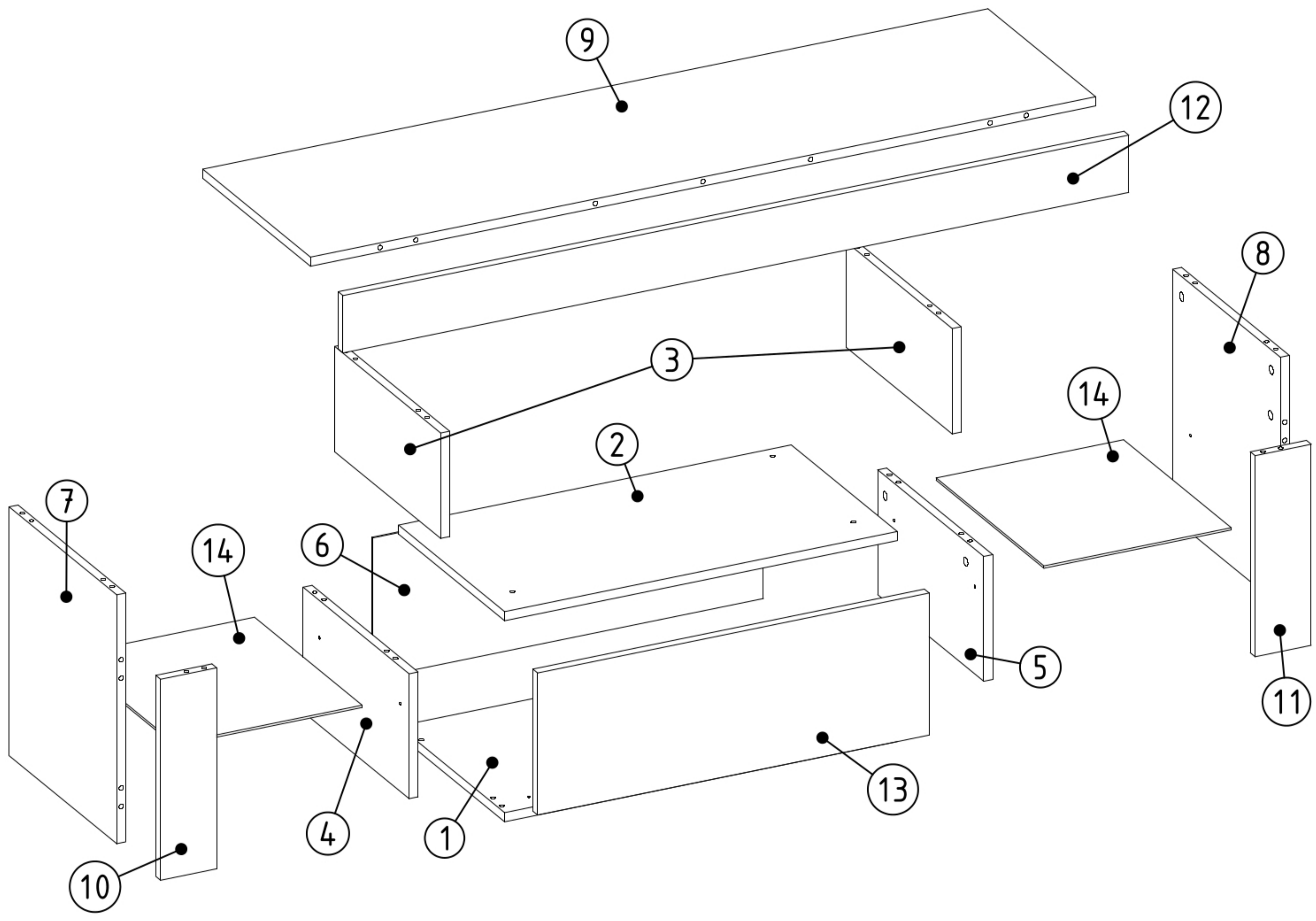


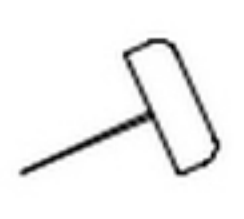
<b>N2</b>  30,3 x 20	<b>M3</b>  x 24	<b>A0</b>  x 2	<b>S1</b>  3,5x16 x 4	<b>N3</b>  L=60 x 2	<b>E3</b>  8x50 x 2	<b>E1</b>  8x35 x 23	<b>T3</b>  x 1
<b>T1</b>  x 8	<b>F2</b>  x 8	<b>Z2</b>  x 20	<b>K1</b>  x 1	<b>M2</b>  x 6	<b>V1</b>  x 1	<b>S15</b>  6x8 x 2	<b>D2</b>  x 8



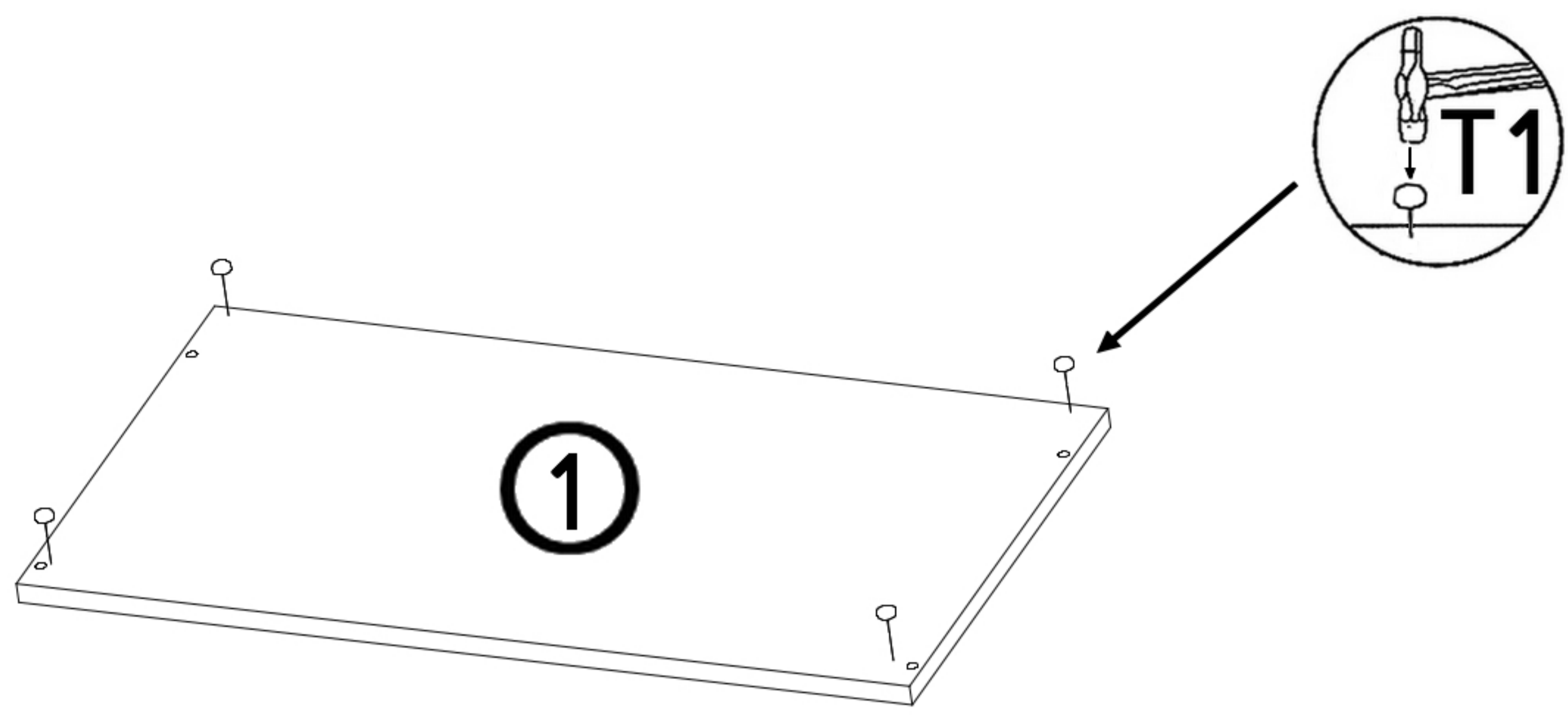
<b>1</b>	x	1
<b>2</b>	x	1
<b>3</b>	x	2
<b>4</b>	x	1
<b>5</b>	x	1
<b>6</b>	x	1
<b>7</b>	x	1



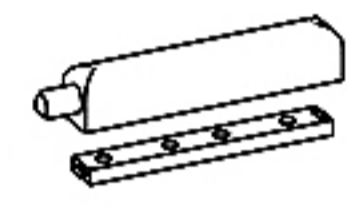
<b>8</b>	x	1
<b>9</b>	x	1
<b>10</b>	x	1
<b>11</b>	x	1
<b>12</b>	x	1
<b>13</b>	x	1
<b>14</b>	x	2

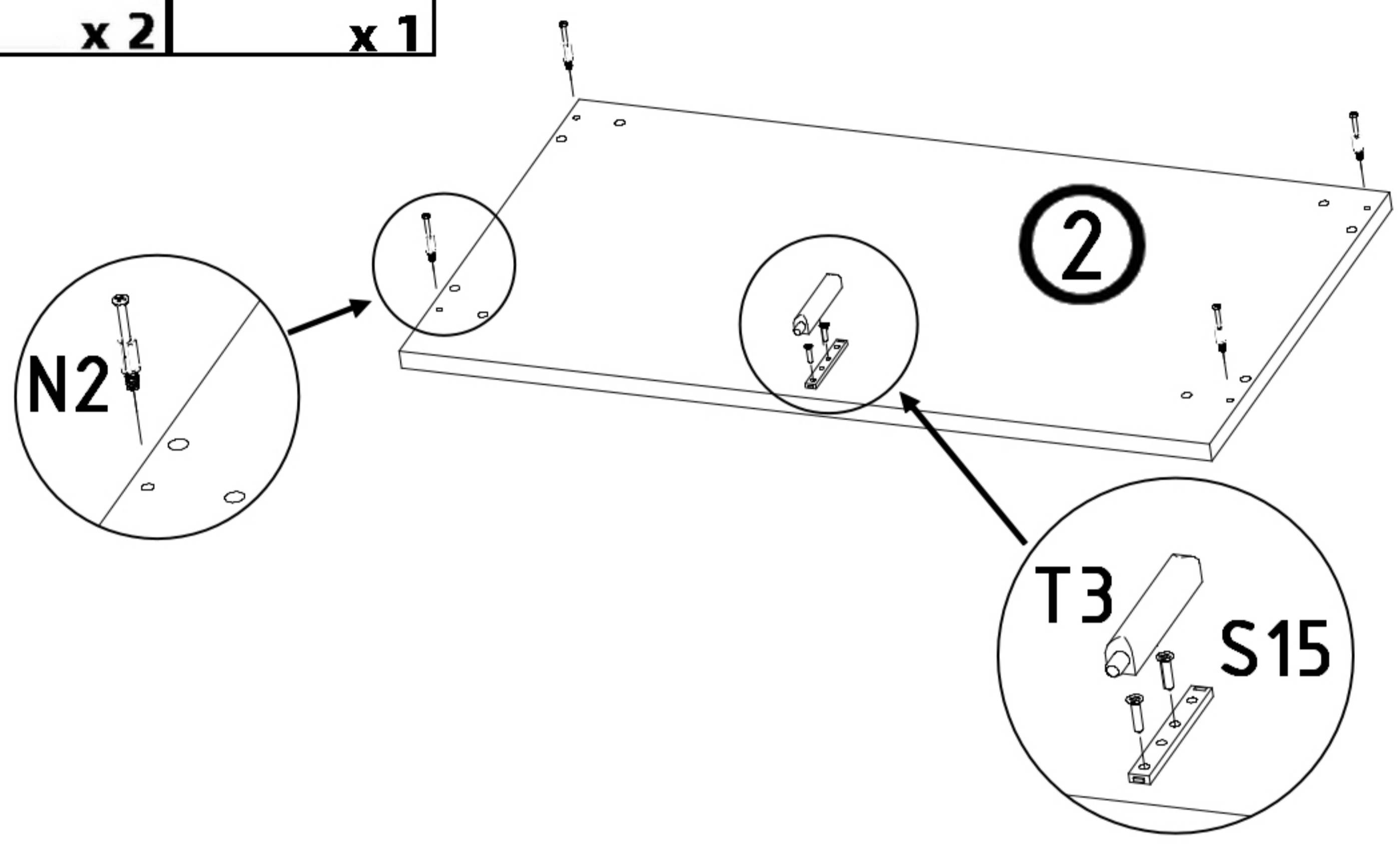
**T1**

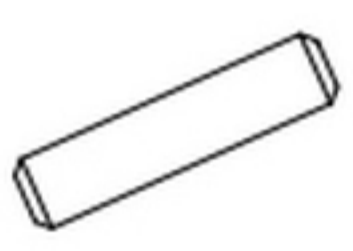



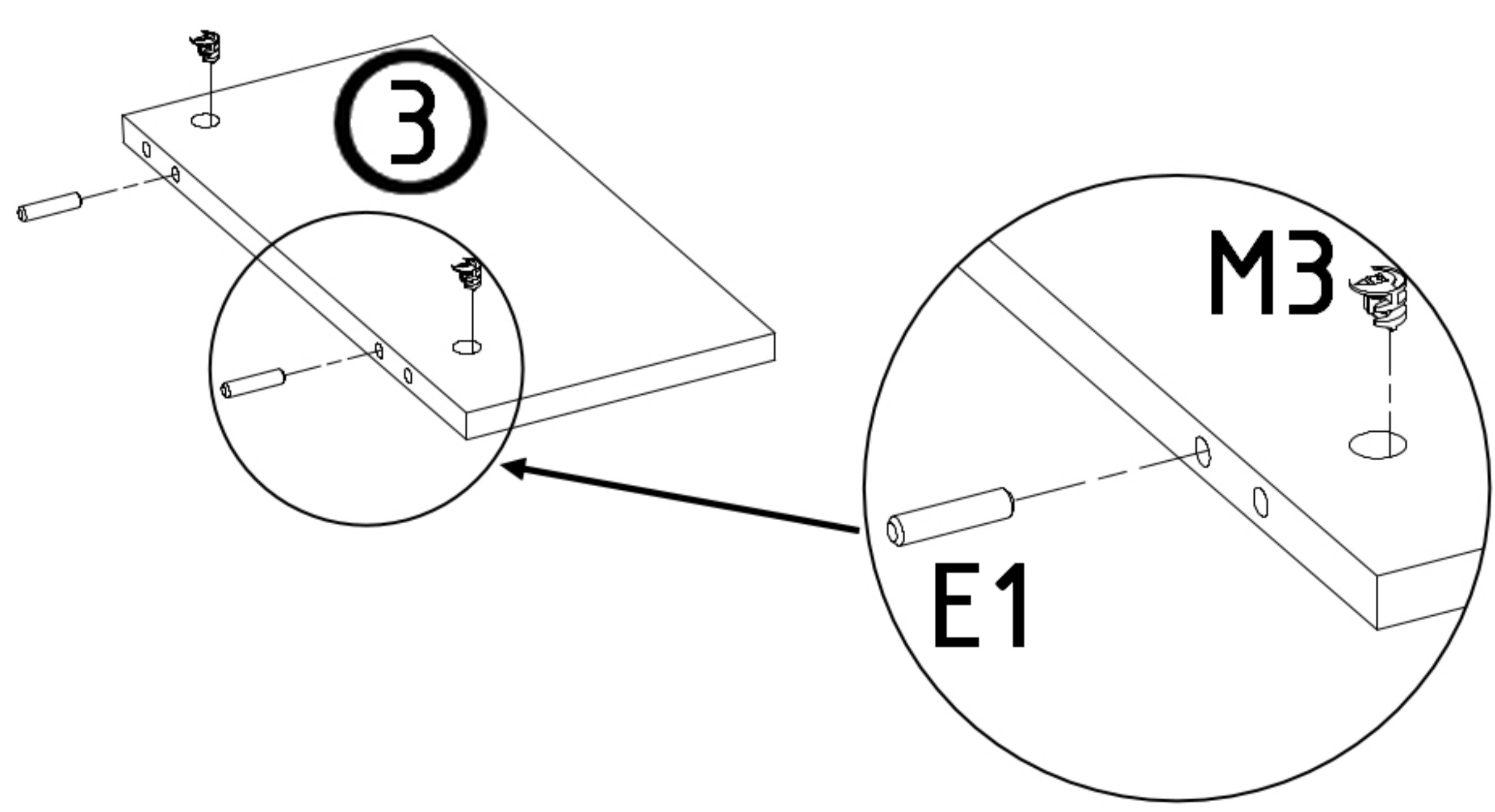
**x 4**










<p><b>N2</b></p>  <p>30,3 <b>x 4</b></p>	<p><b>S15</b></p>  <p>6x8 <b>x 2</b></p>	<p><b>T3</b></p>  <p><b>x 1</b></p>
--	---	--

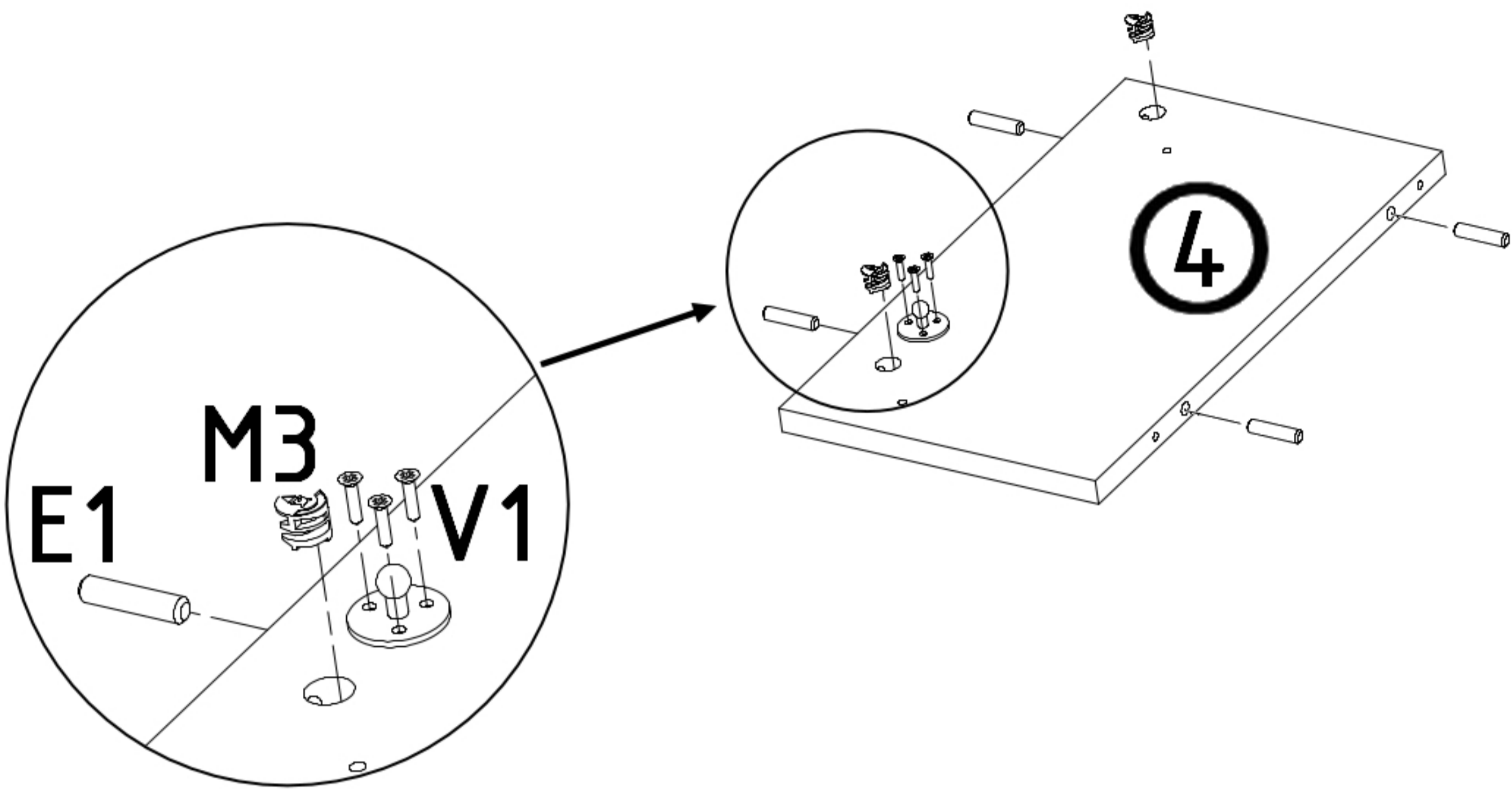




<p><b>E1</b></p>  <p>8x35 <b>x 4</b></p>	<p><b>M3</b></p>  <p><b>x 4</b></p>
--	--

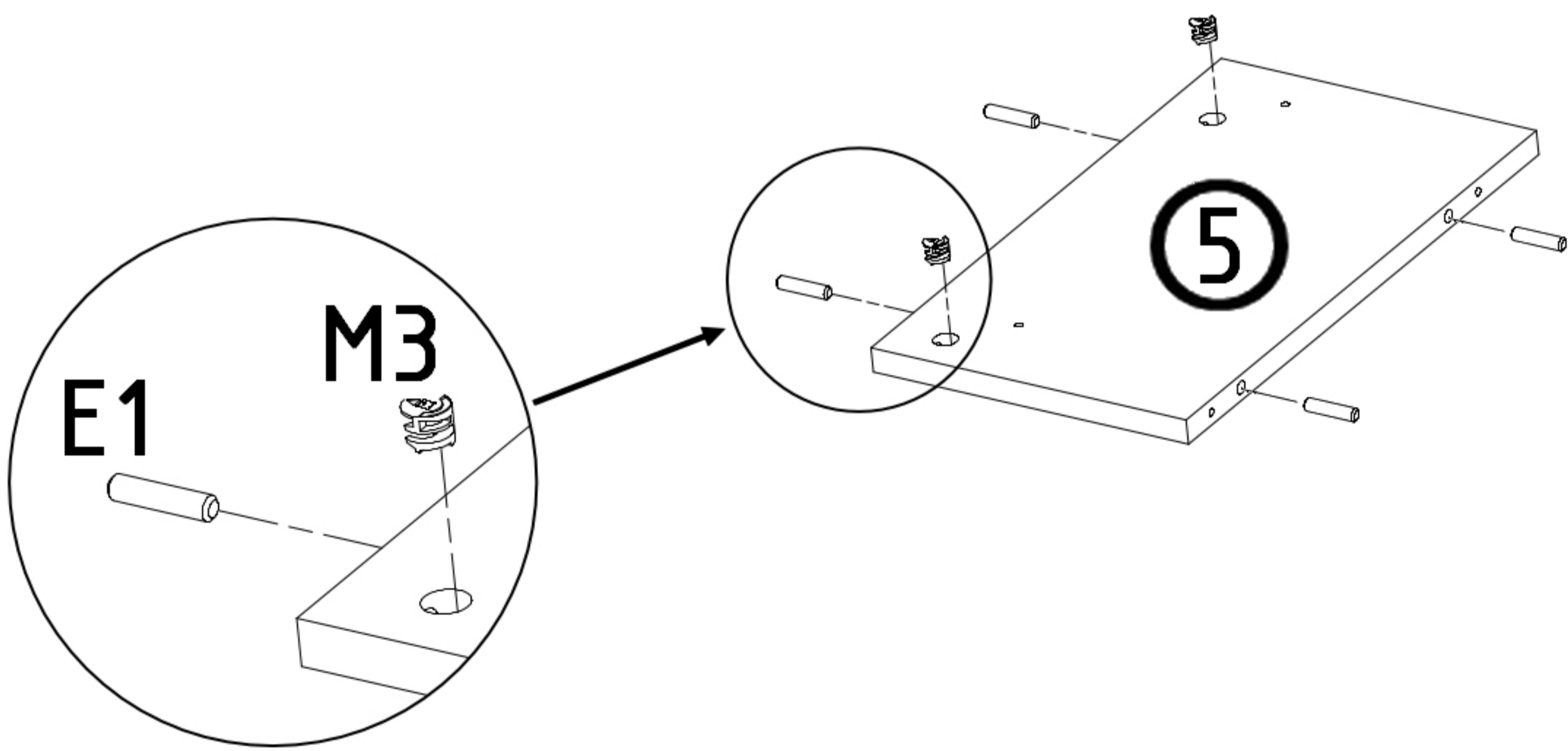


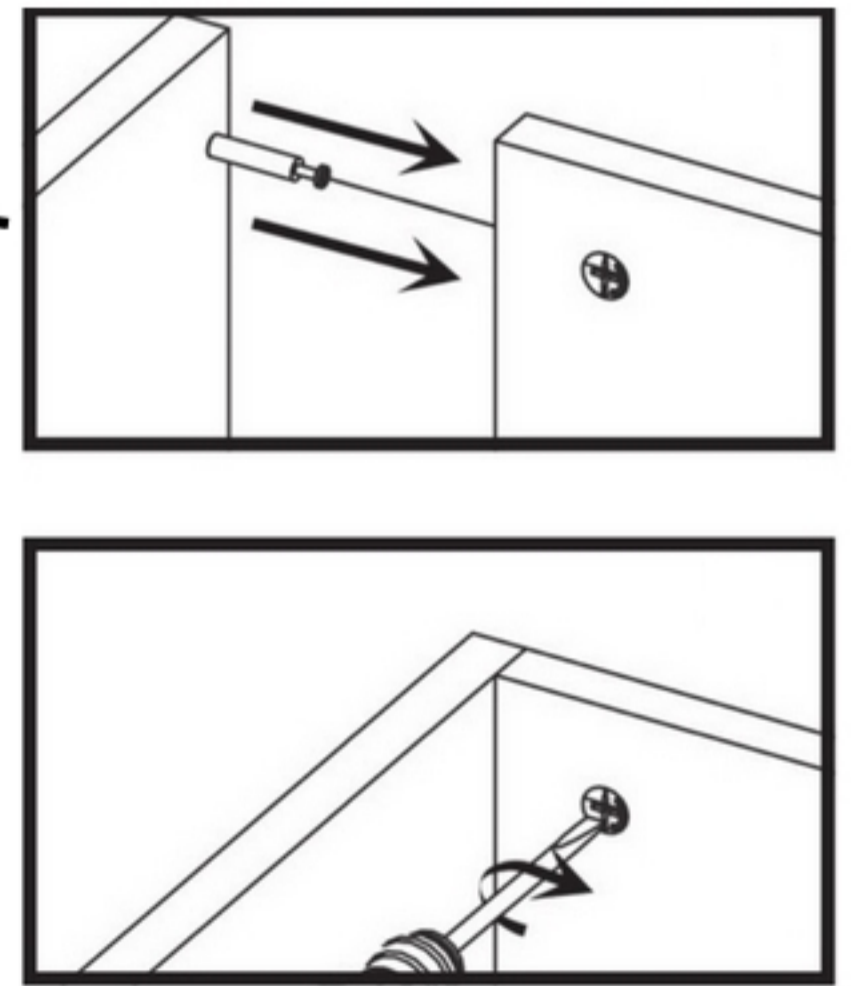
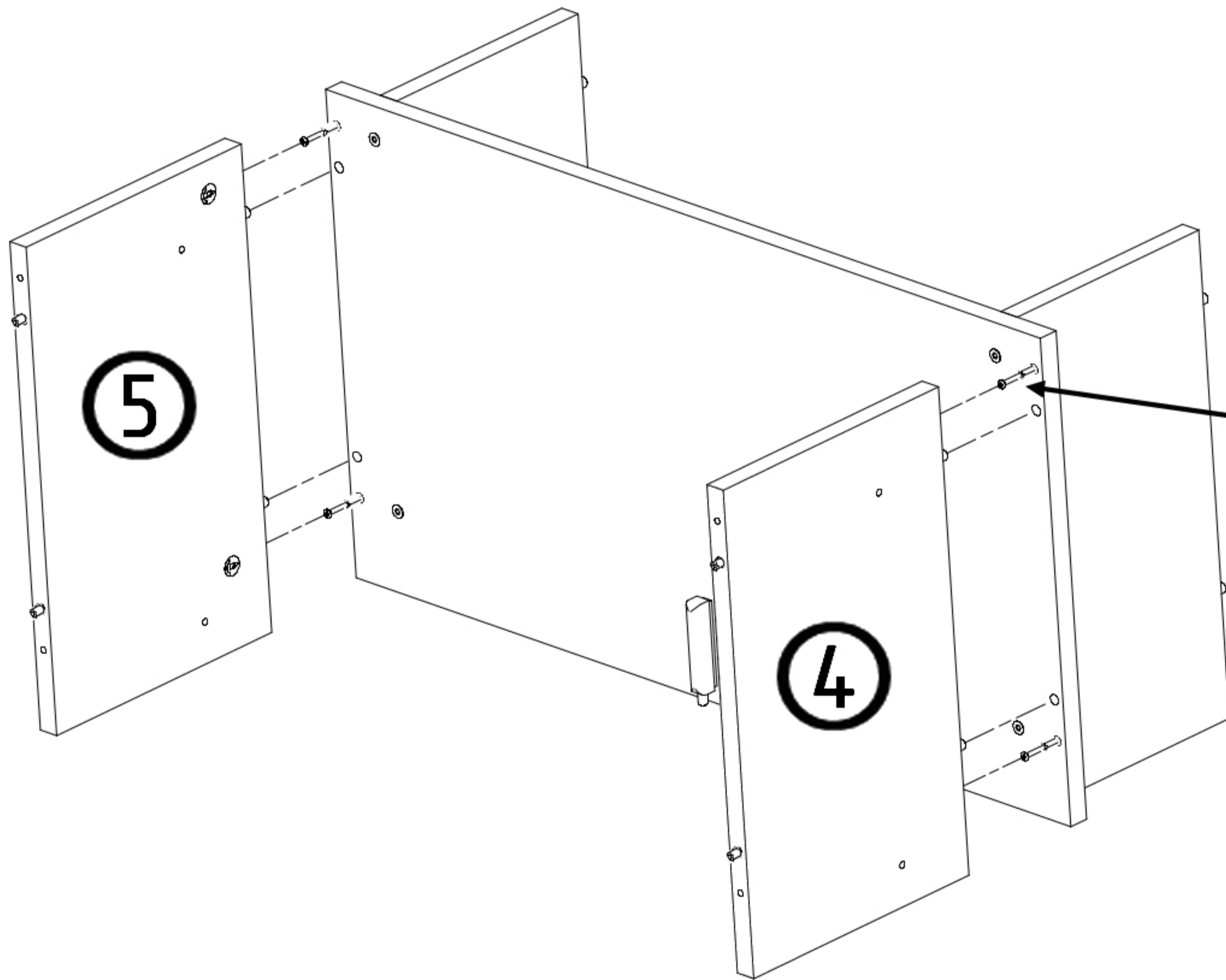
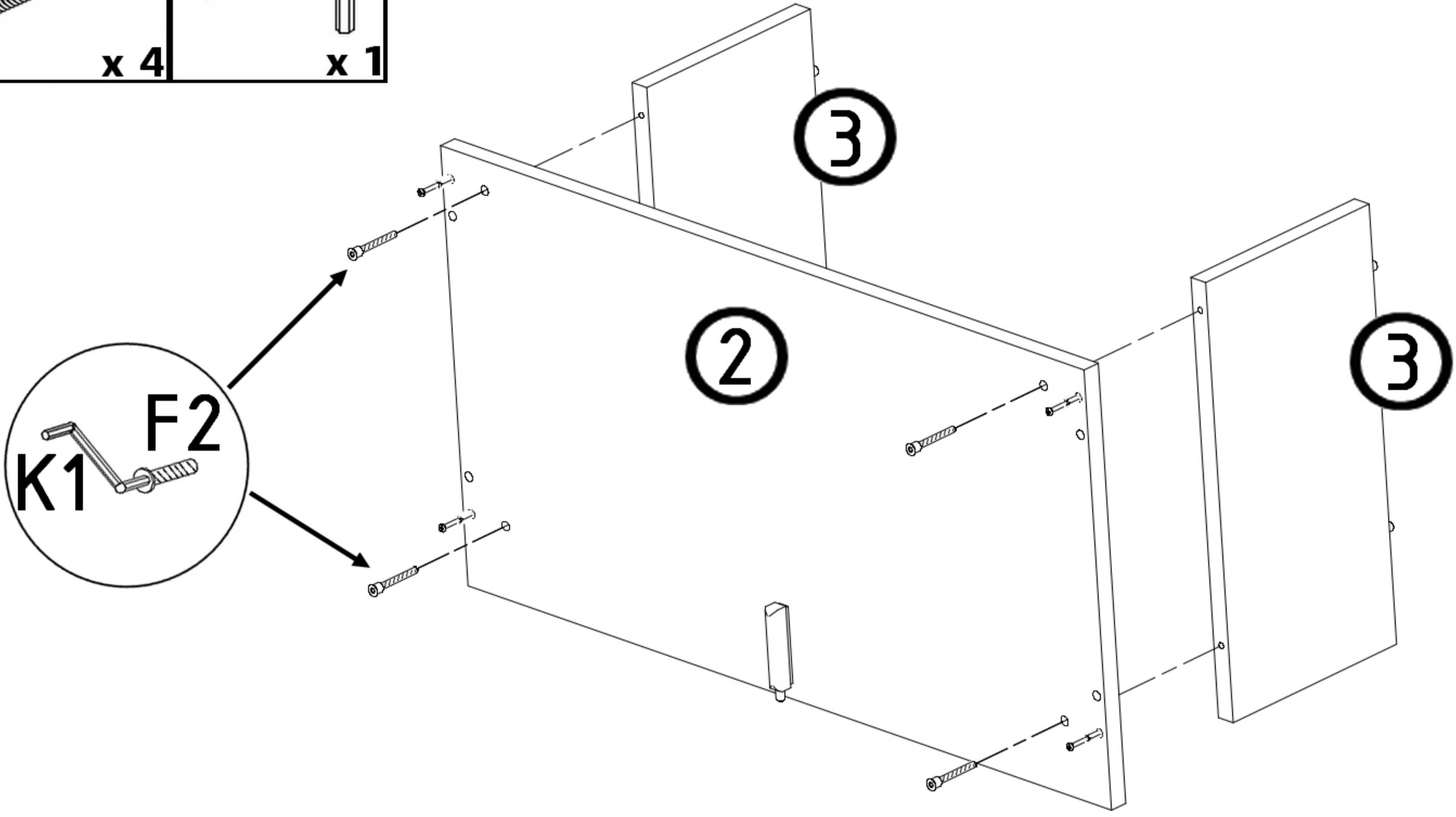
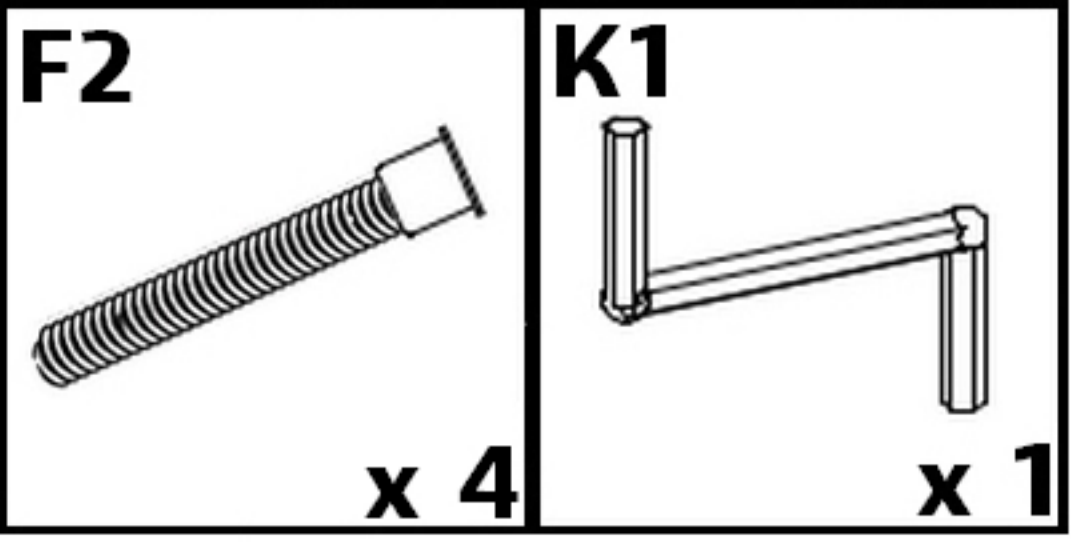
**x 2**

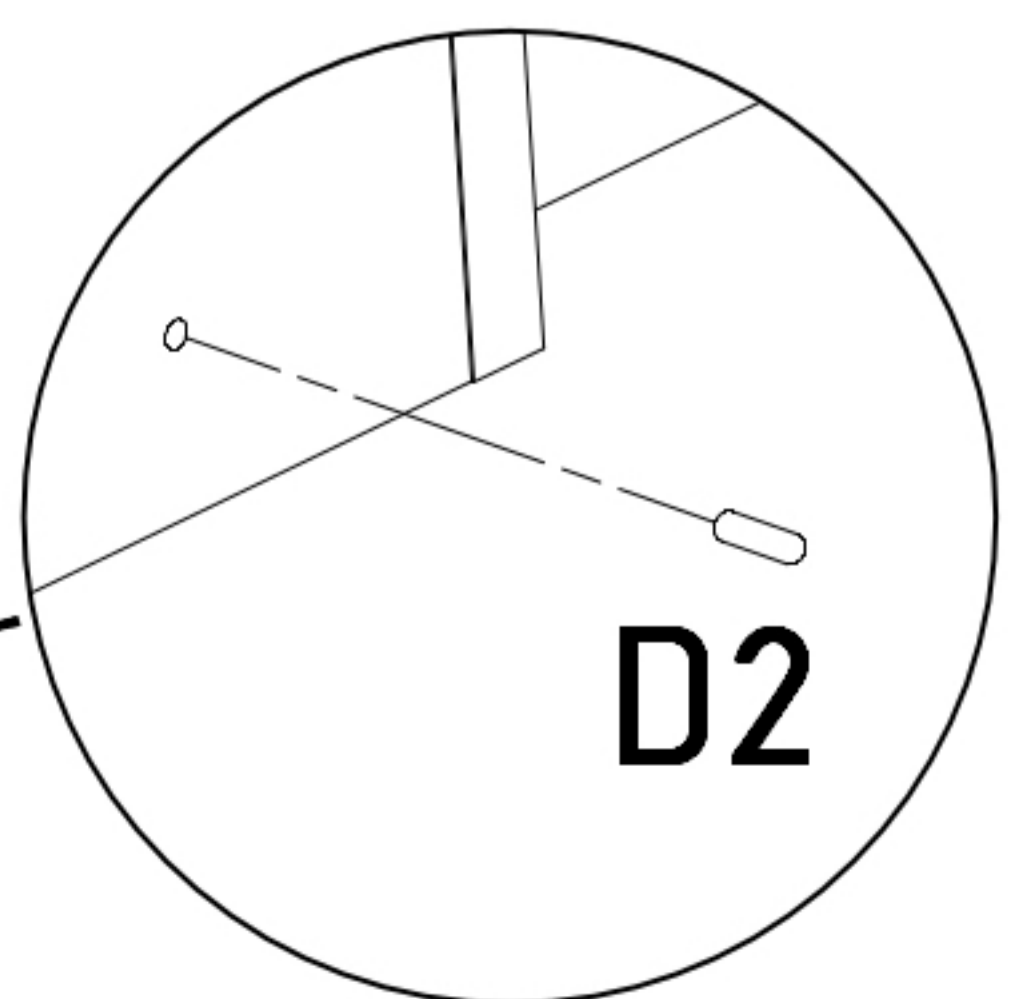
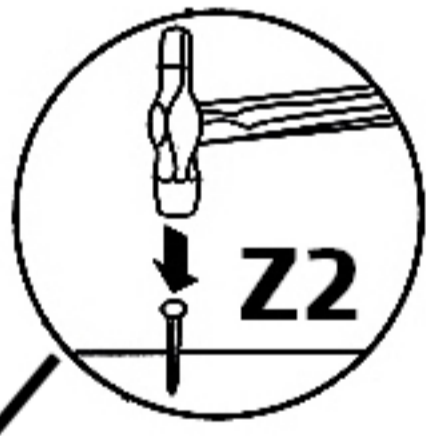
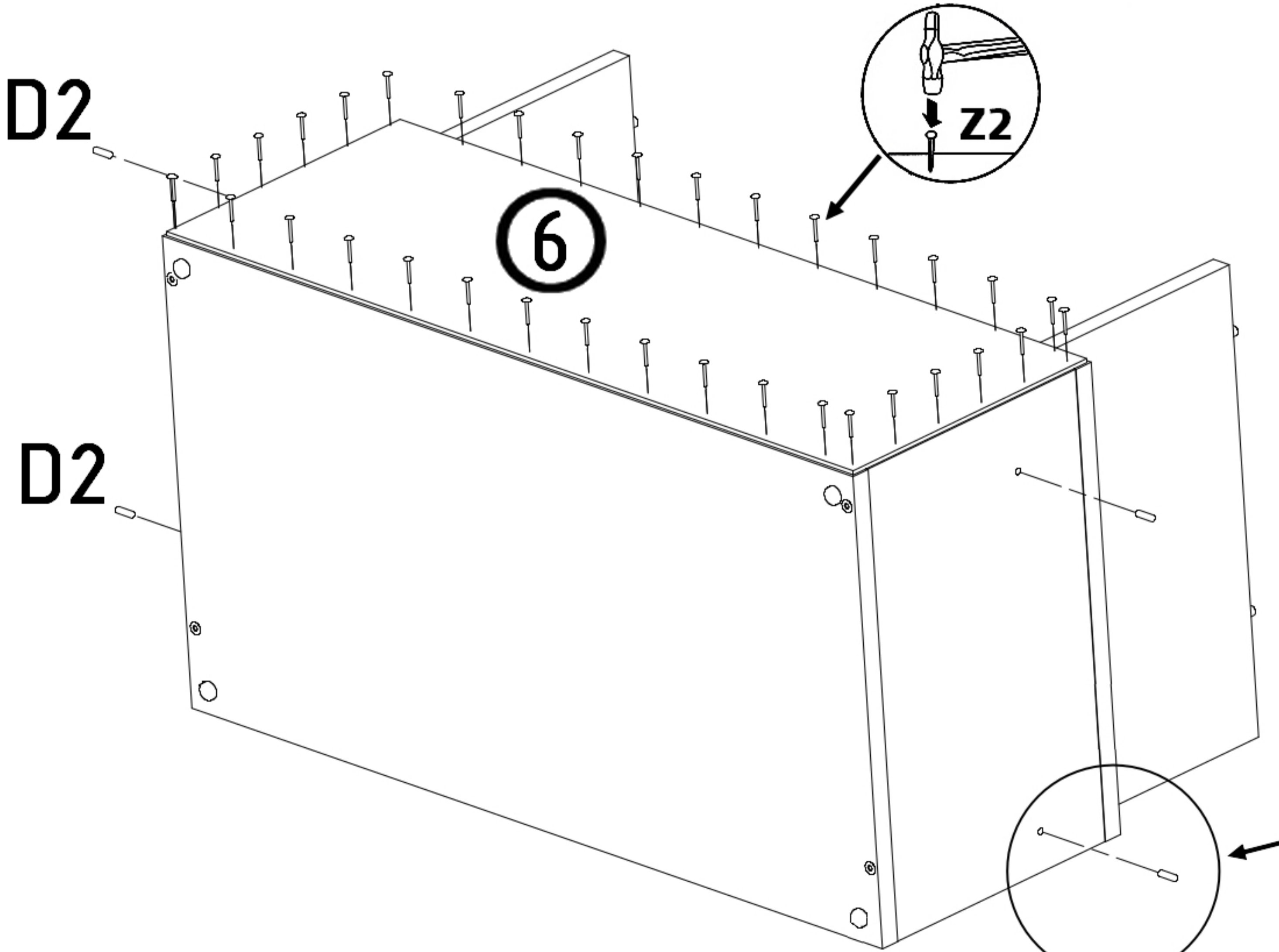
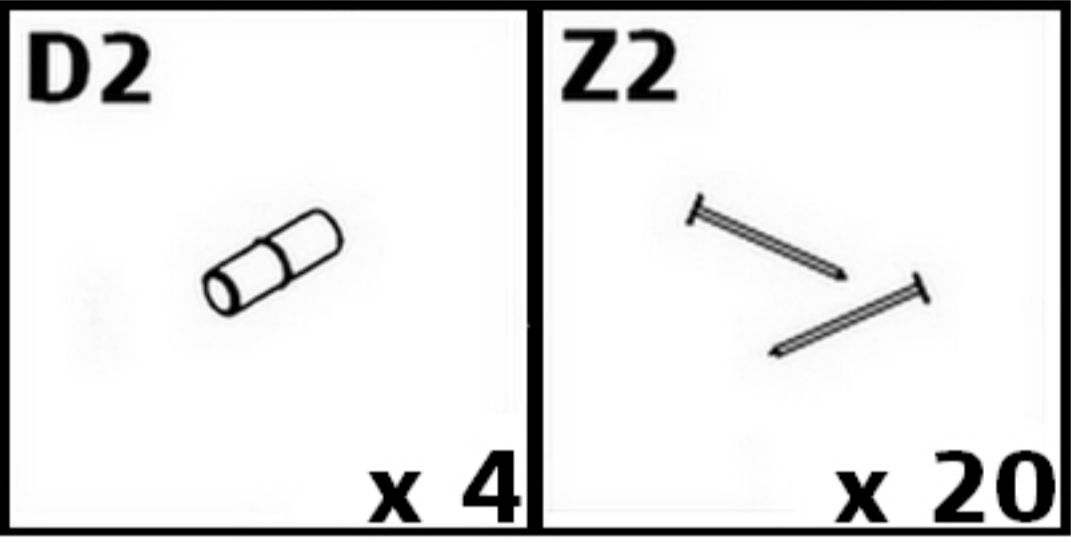
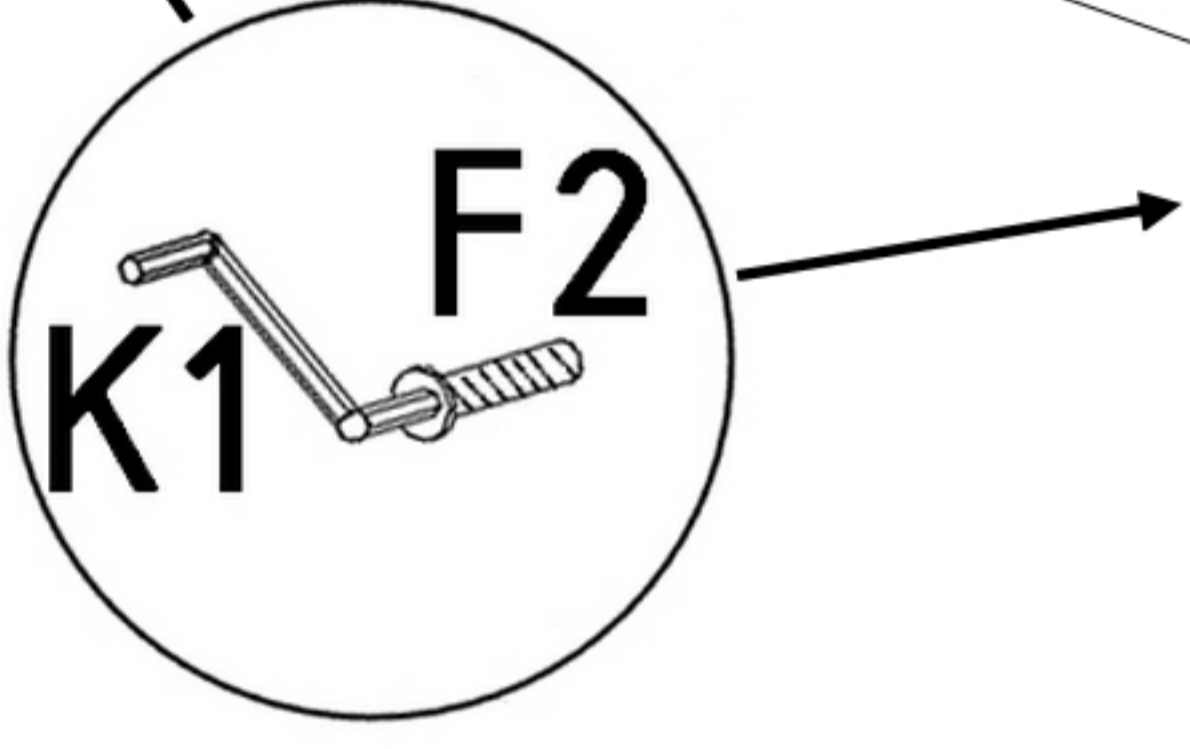
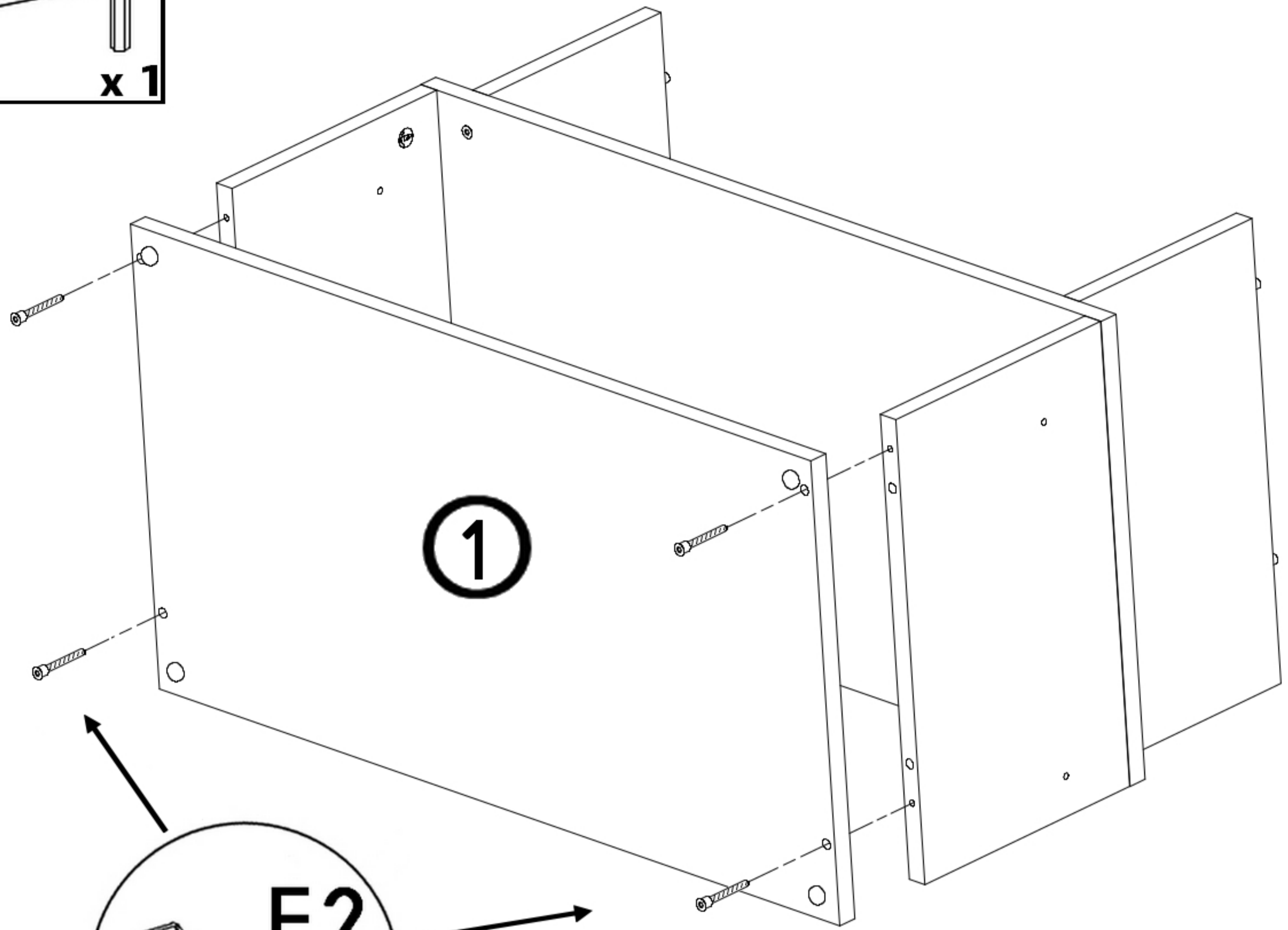
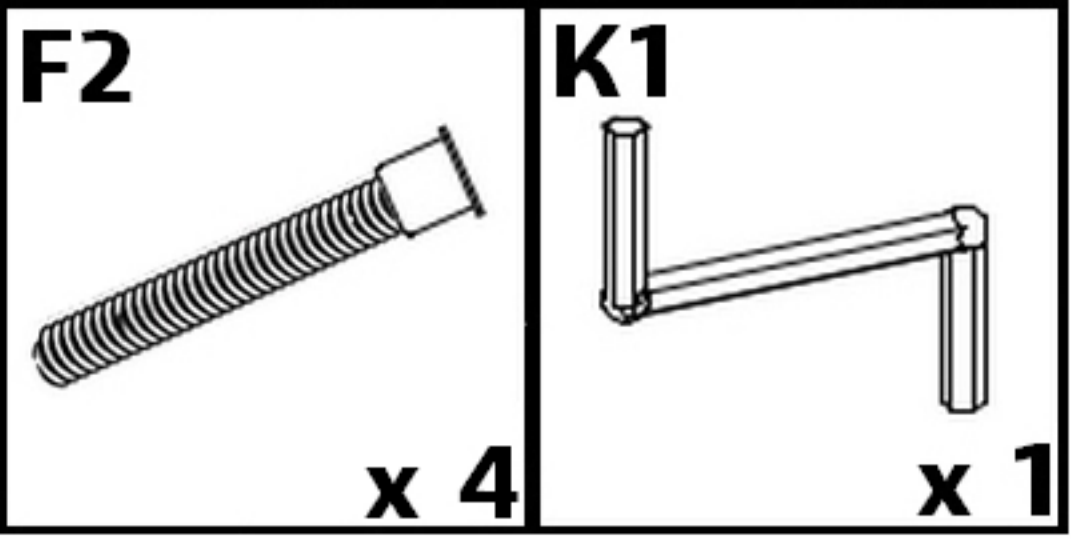
<b>E1</b>  8x35 <b>x 4</b>	<b>M3</b>  <b>x 2</b>	<b>V1</b>      <b>x 1</b>
---	--	--

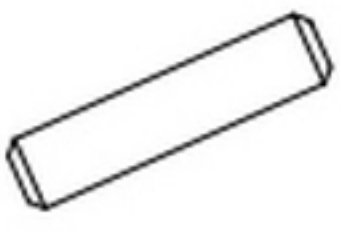


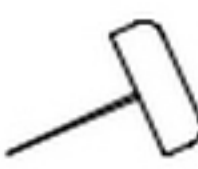


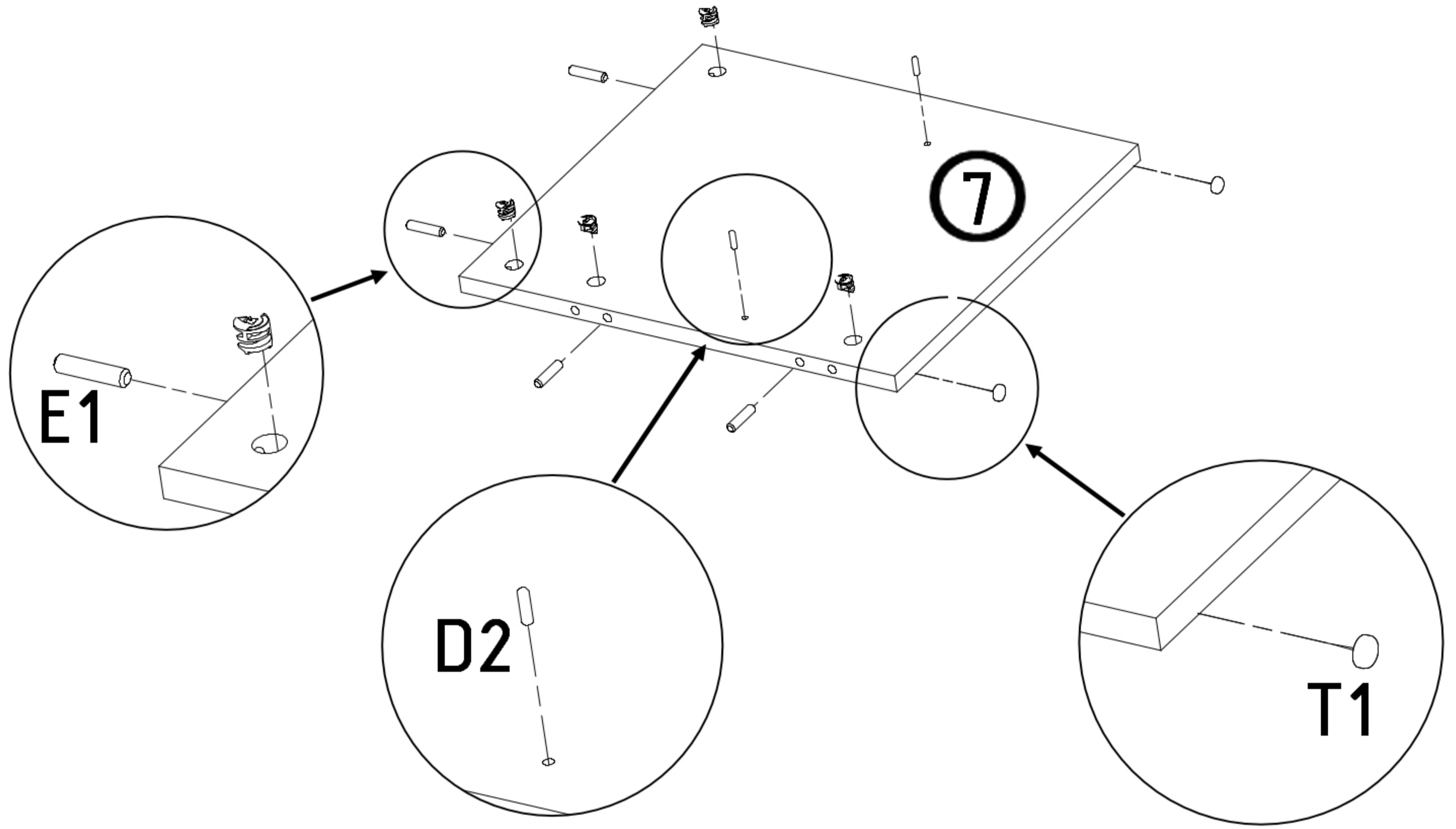
<b>E1</b>  8x35 <b>x 4</b>	<b>M3</b>  <b>x 2</b>
---	--




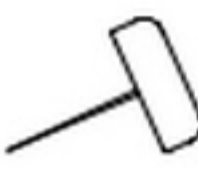


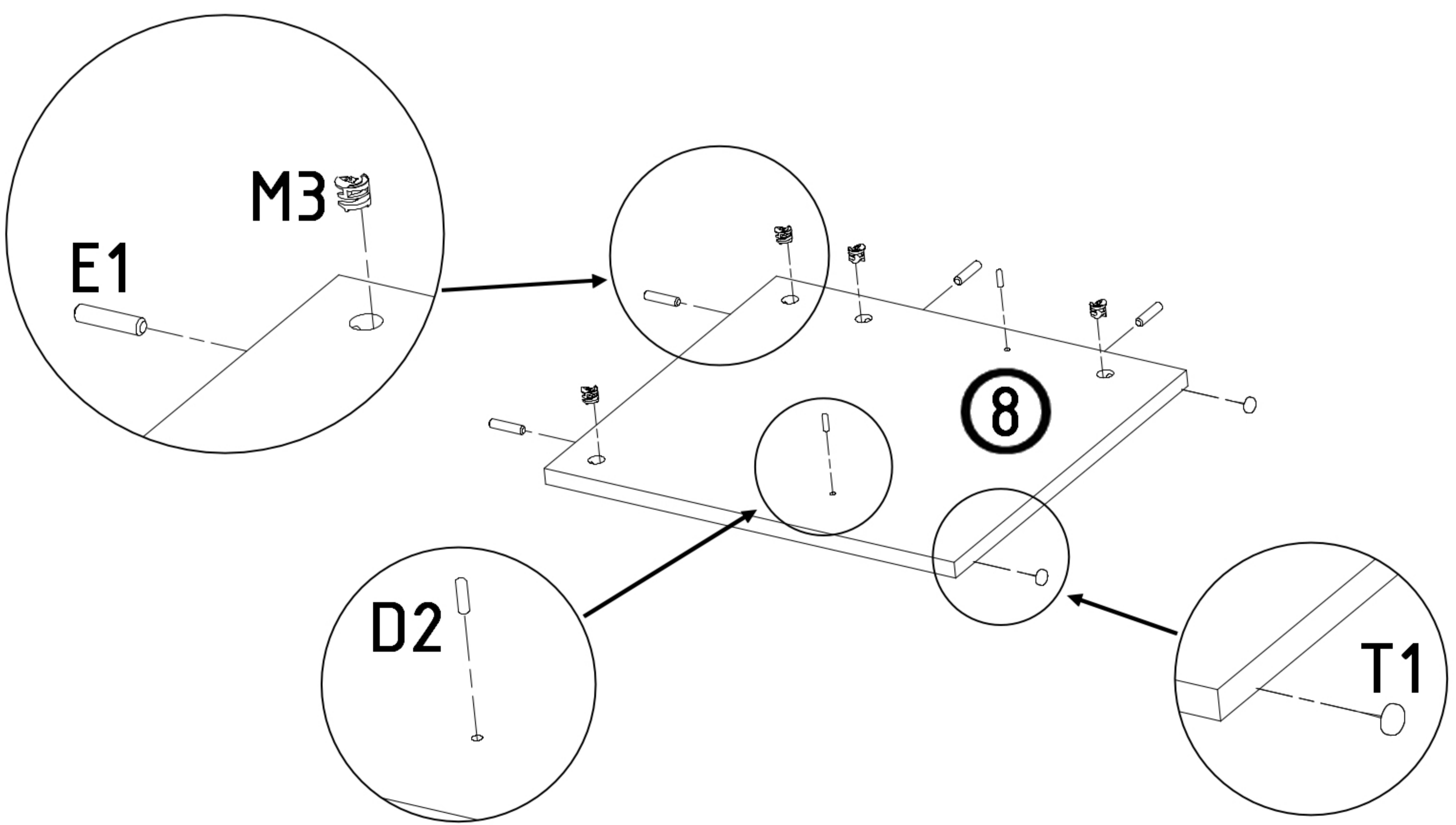


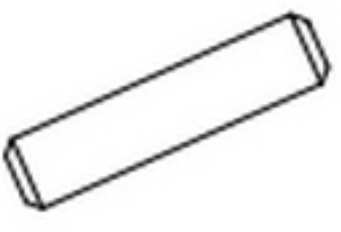




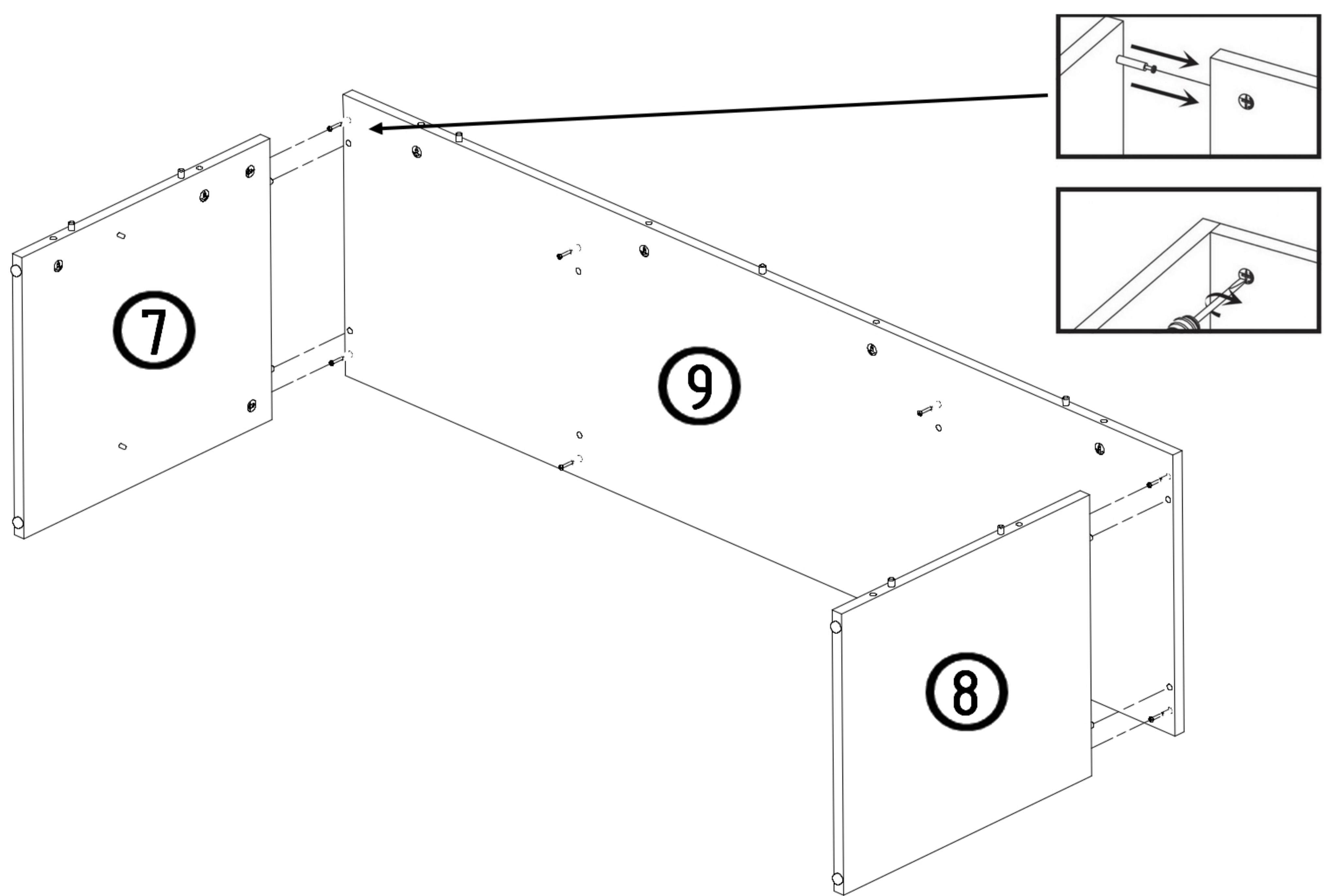
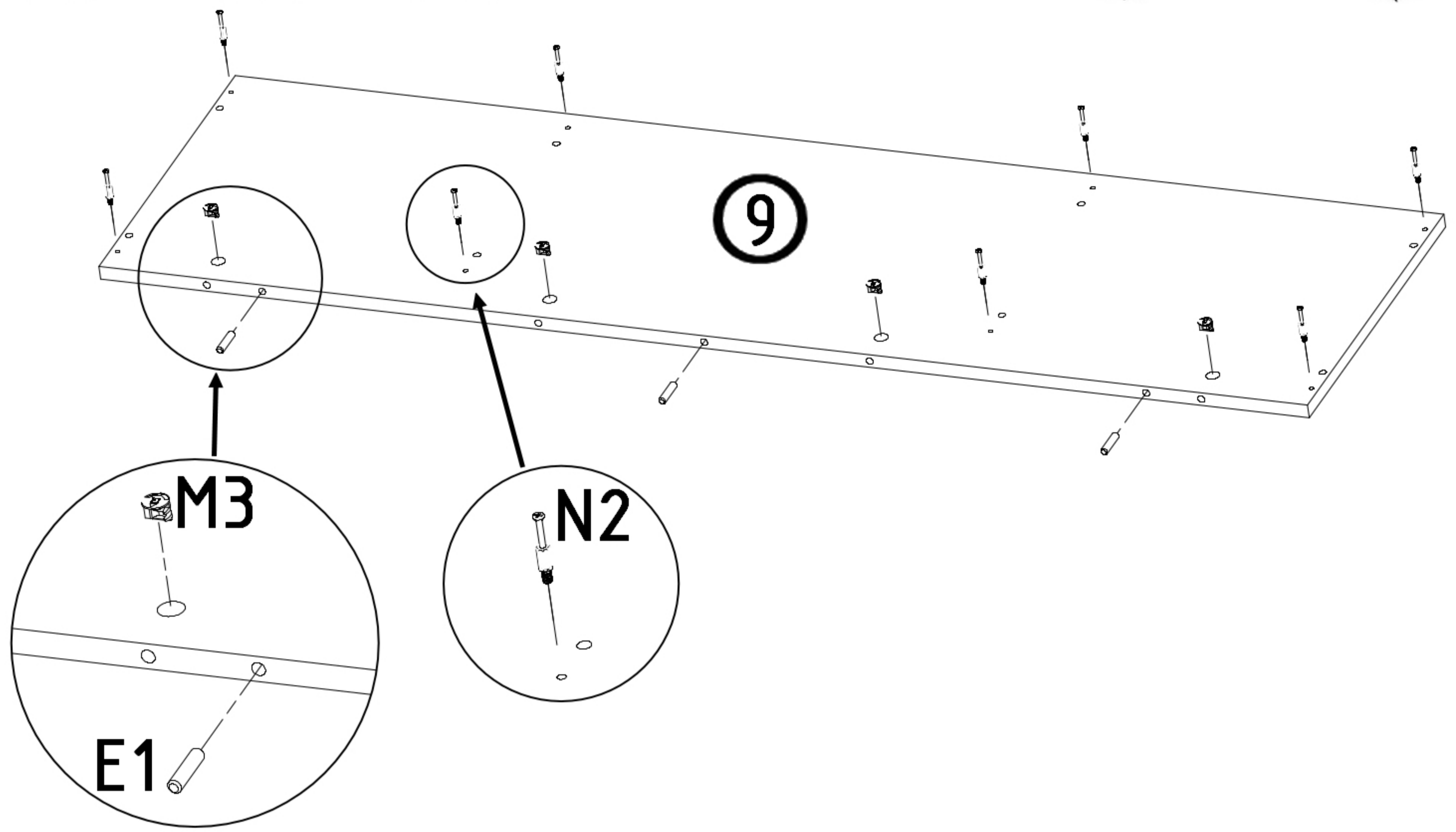
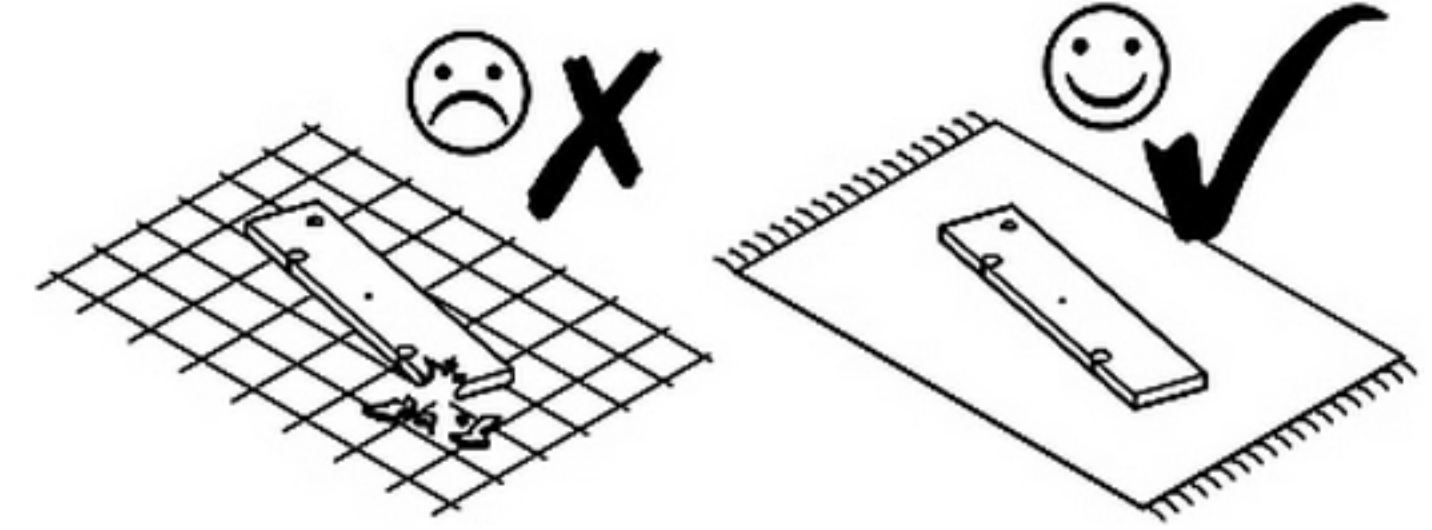
<b>E1</b>  8x35	<b>M3</b>  x4	<b>D2</b>  x 2	<b>T1</b>  x 2
---	--	---	---






<b>E1</b>  8x35	<b>M3</b>  x4	<b>D2</b>  x 2	<b>T1</b>  x 2
---	--	---	---

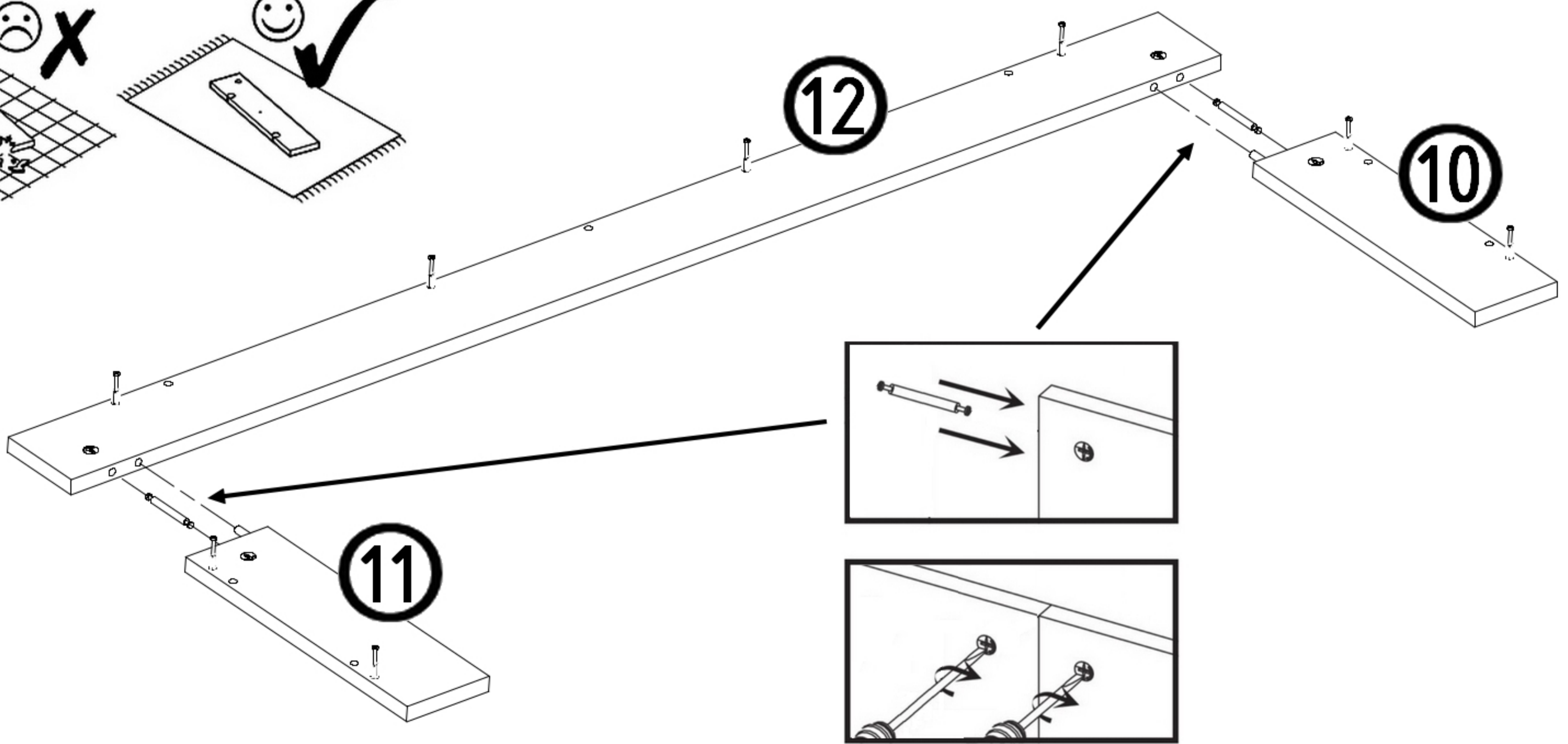
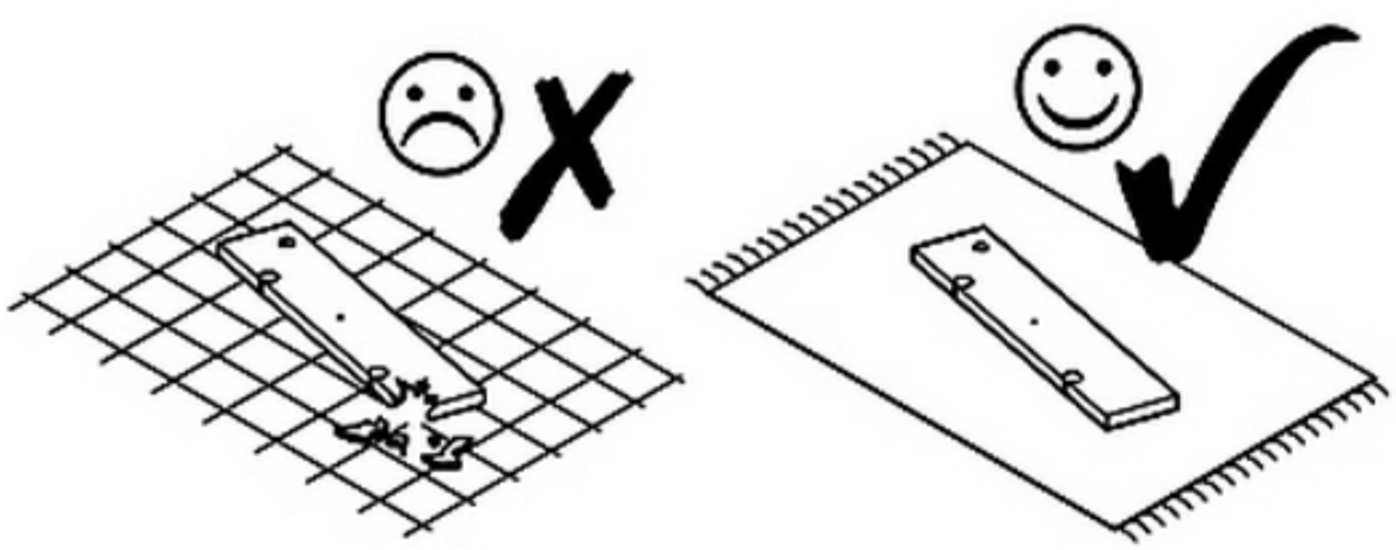
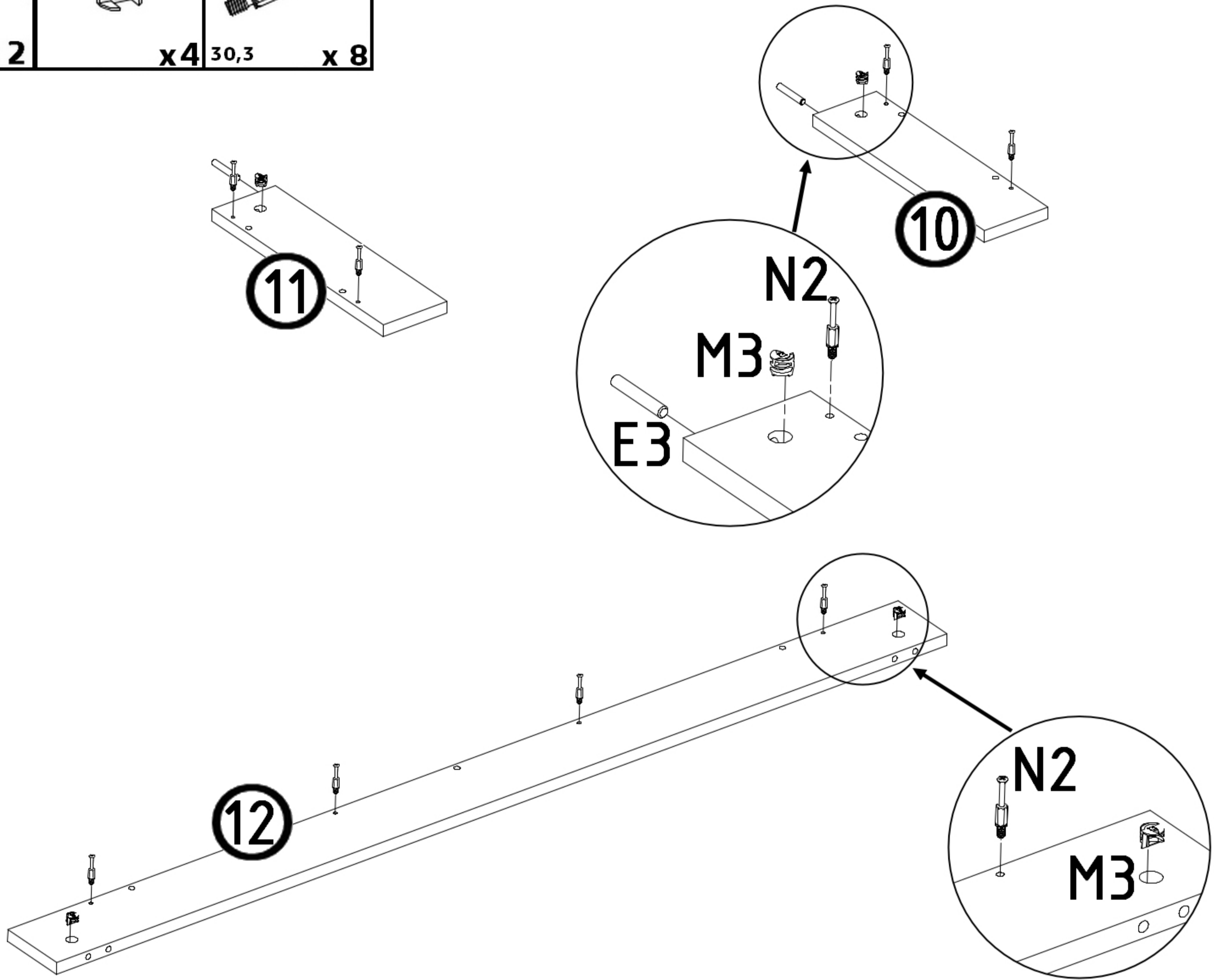


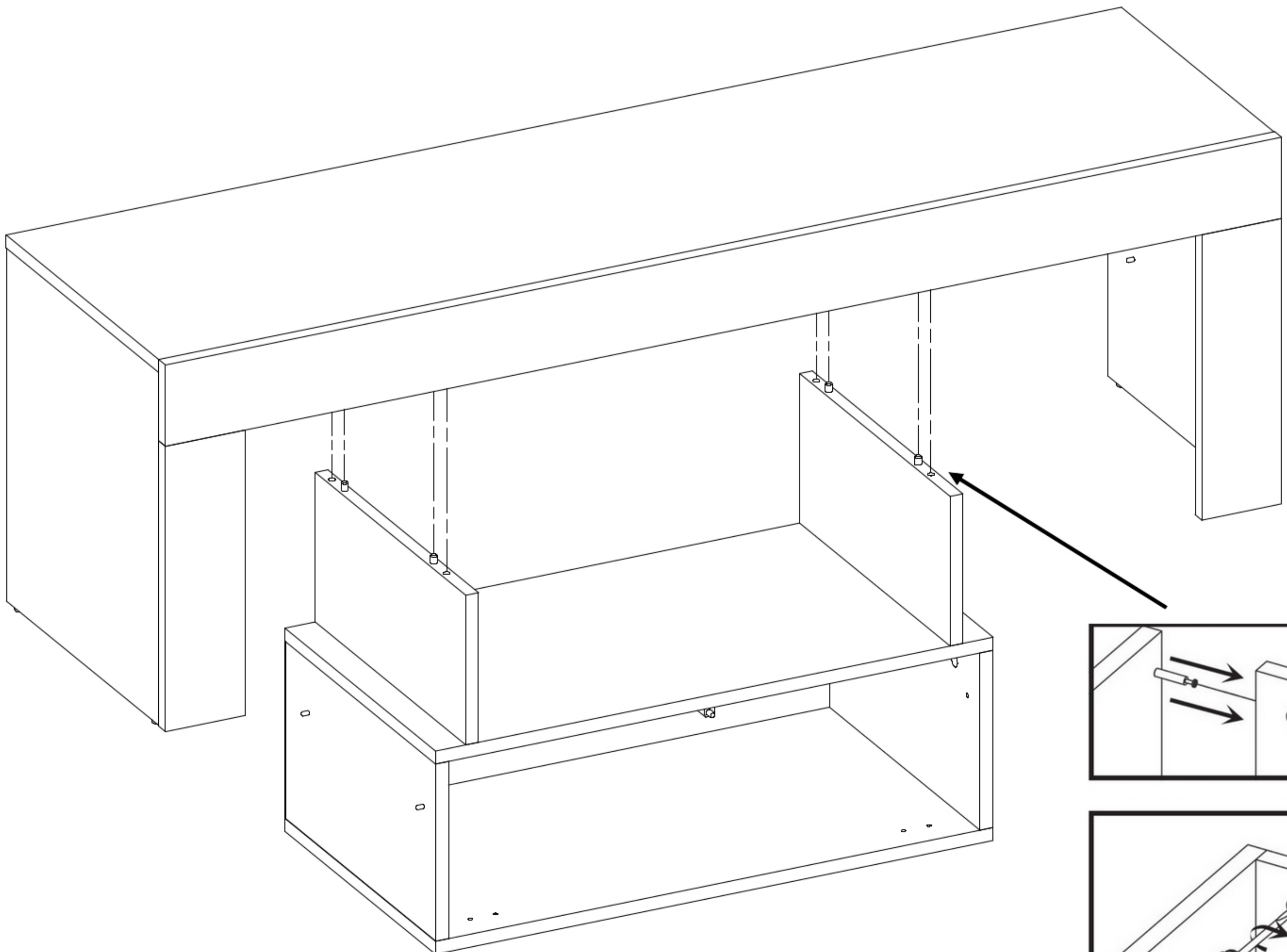
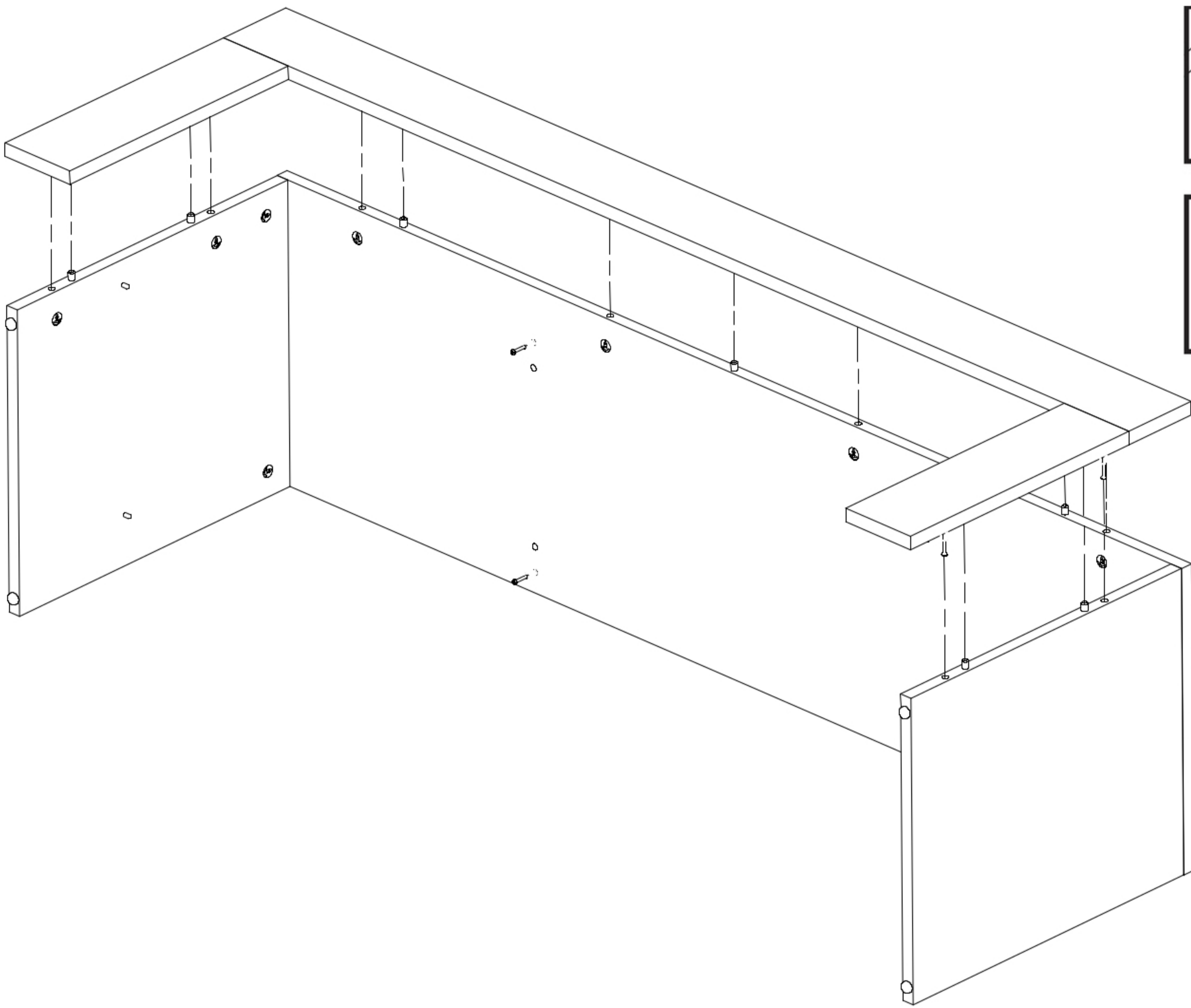
<b>E1</b>  8x35 <b>x 3</b>	<b>M3</b>  <b>x 4</b>	<b>N2</b>  30,3 <b>x 8</b>
---	--	--



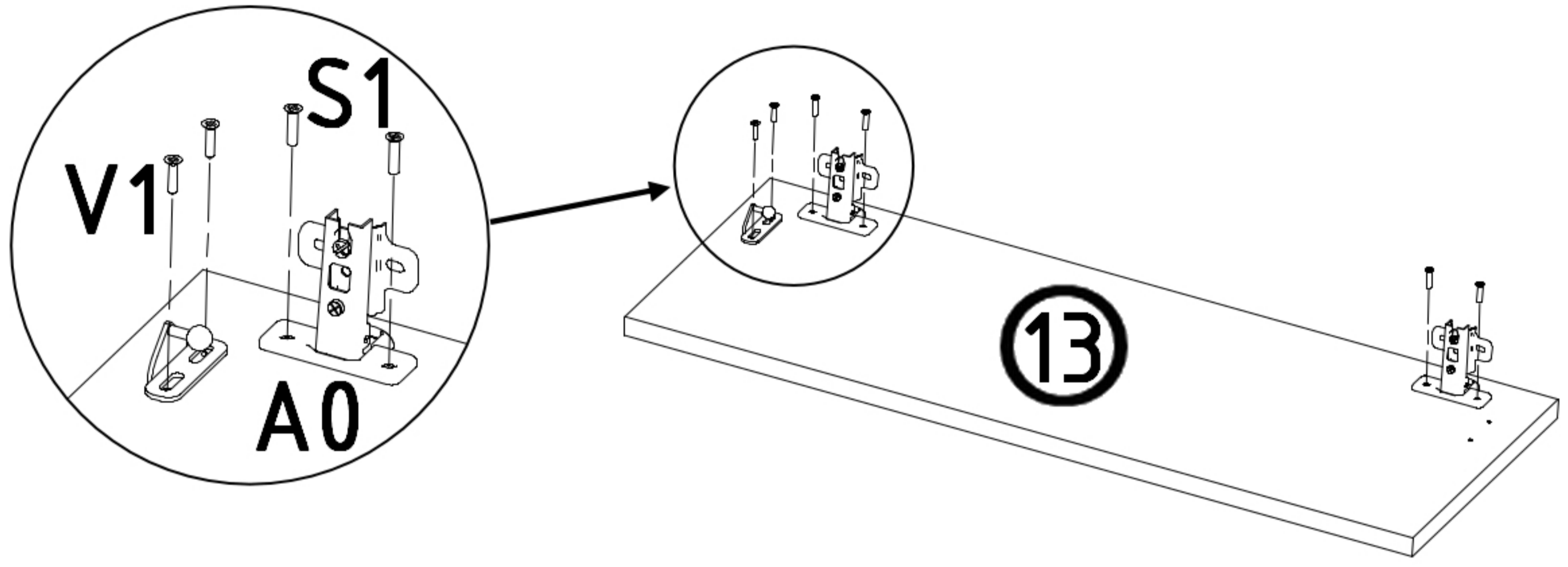


<b>E3</b>  8x50	<b>M3</b>  x4	<b>N2</b>  30,3 x 8
---	--	--





<b>V1</b>  <b>x 1</b>	<b>A0</b>  <b>x 2</b>	<b>S1</b>  <b>3,5x16 x 4</b>
-----------------------------	-----------------------------	------------------------------------



**M2**  
  
**x 6**

**M3**  
  
**M2**

