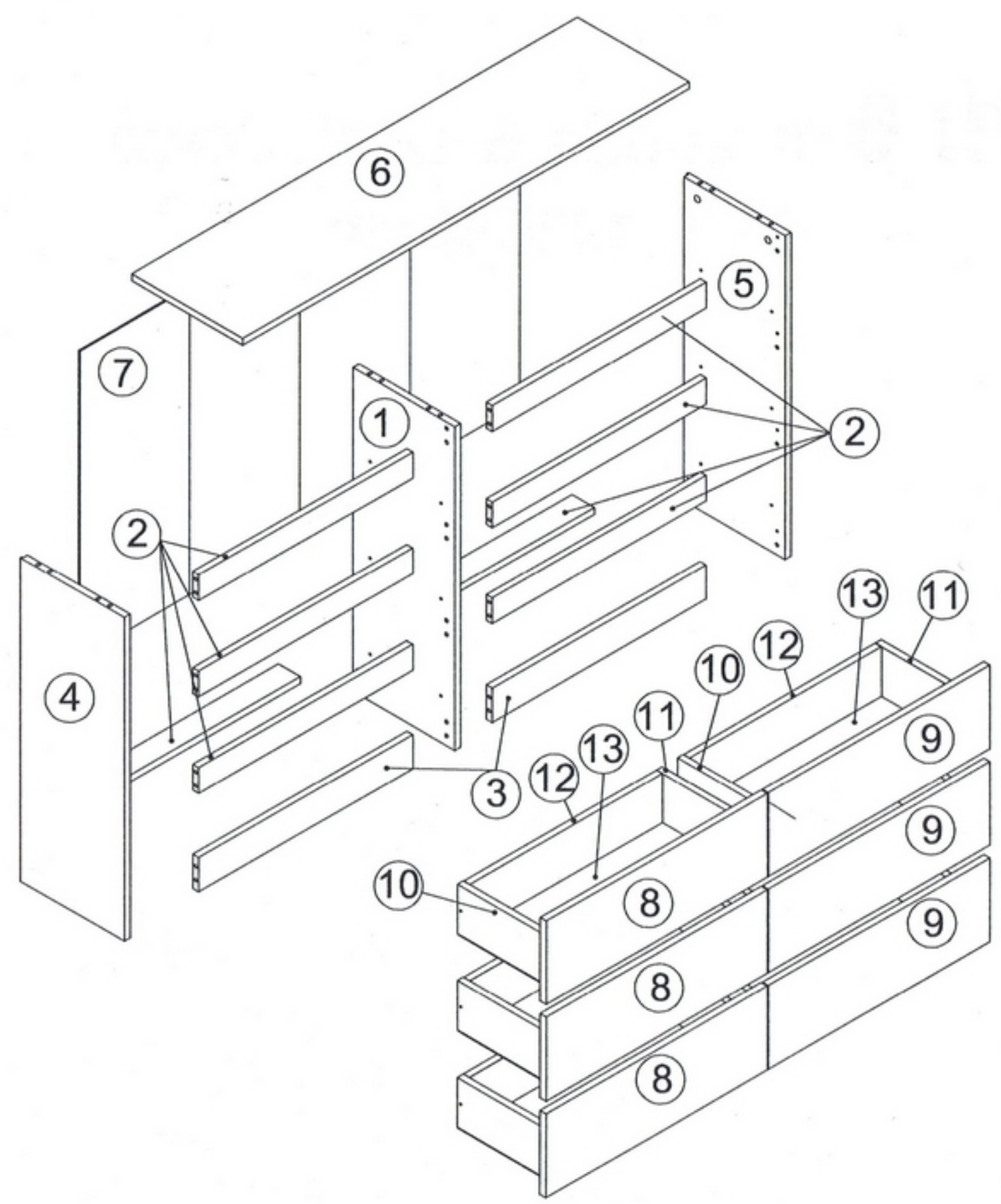
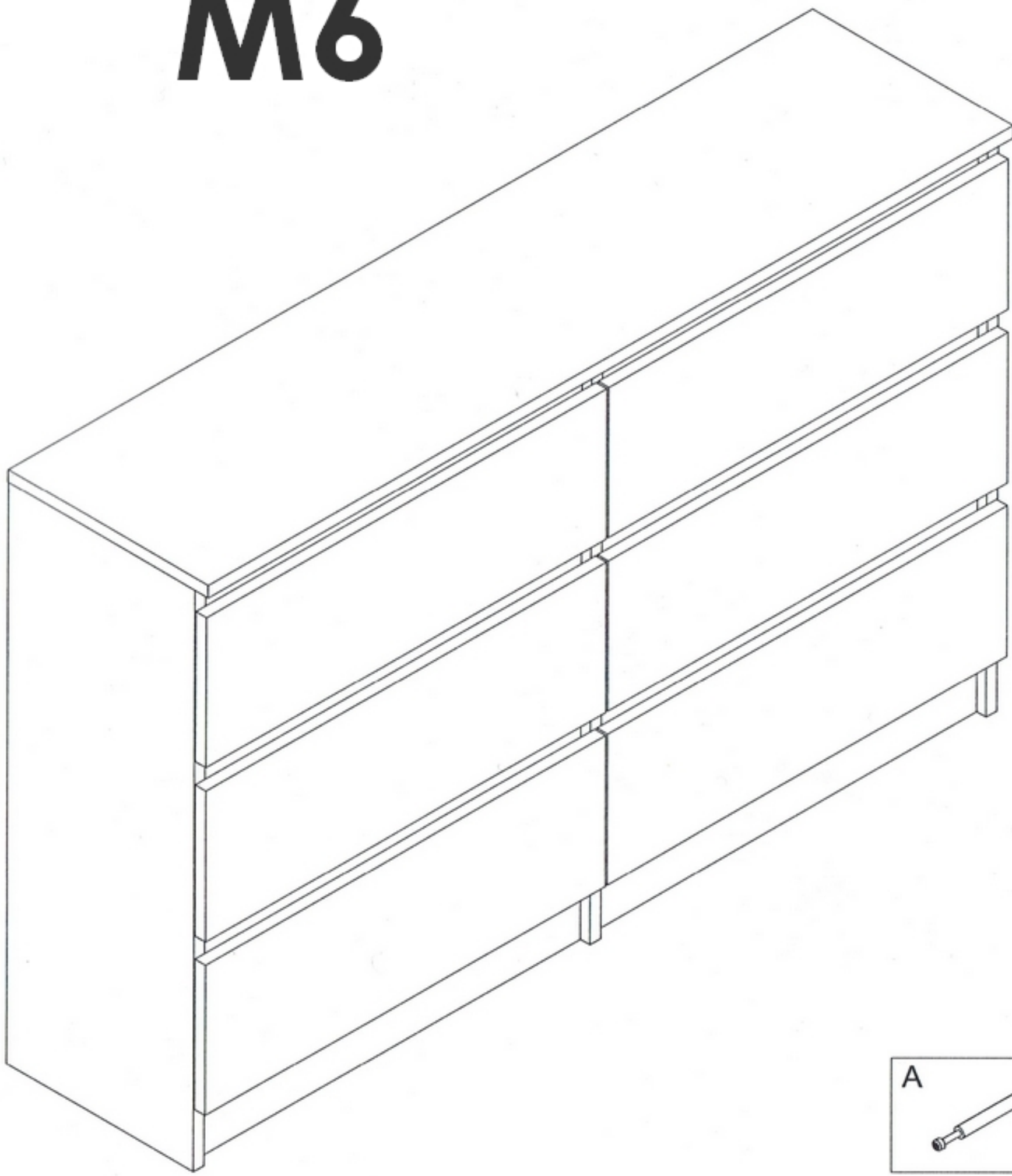



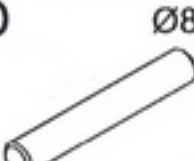










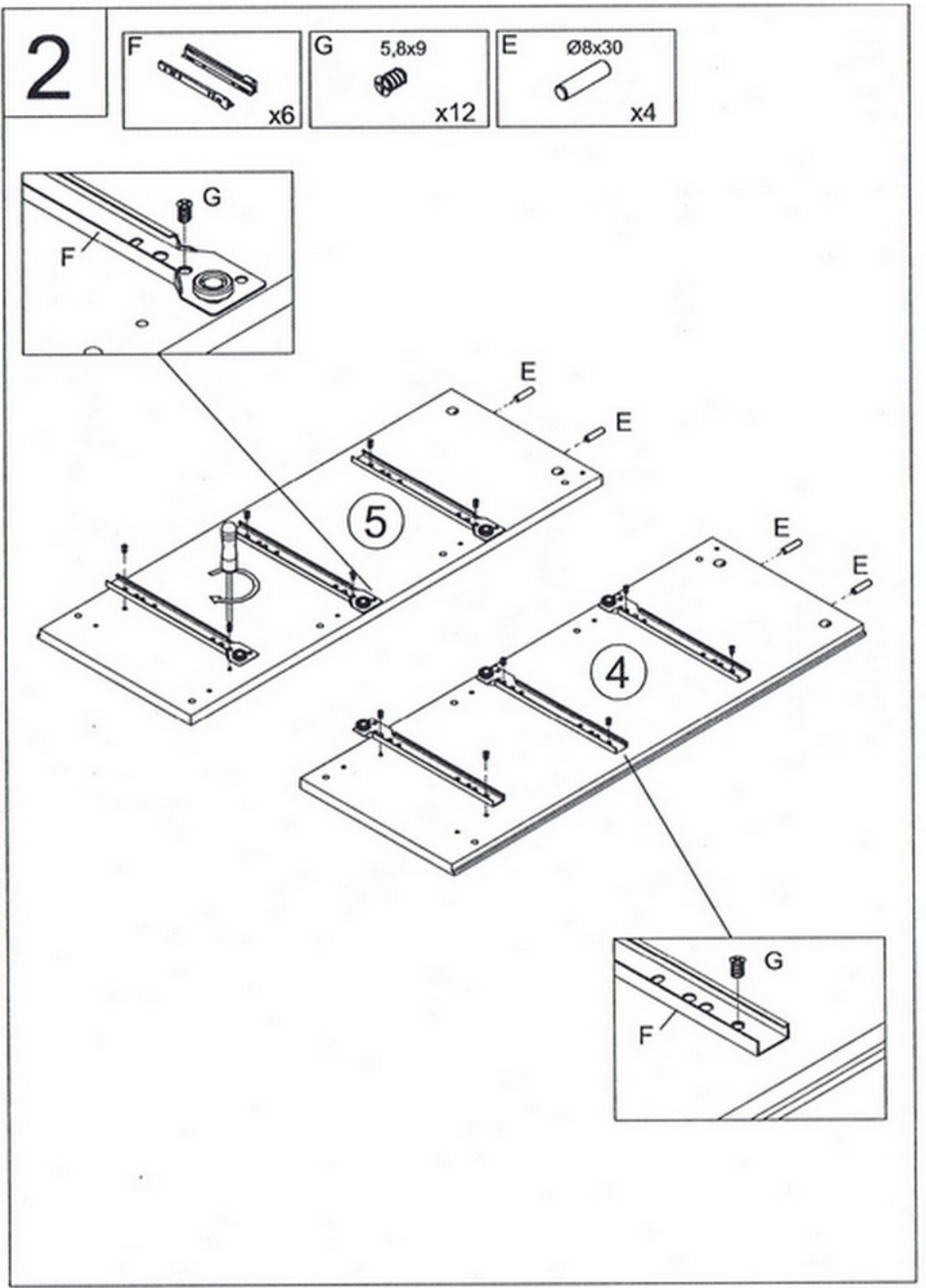
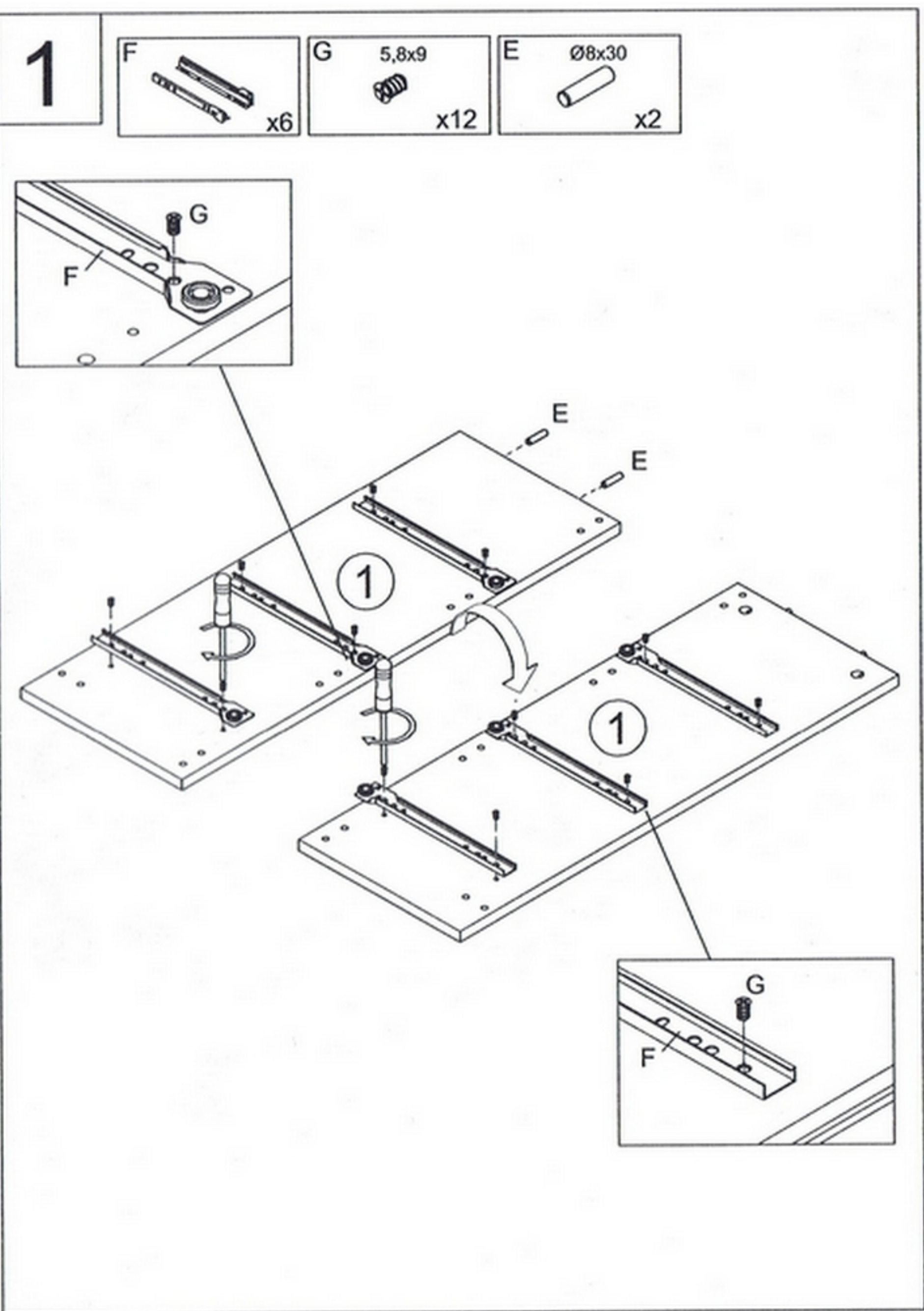


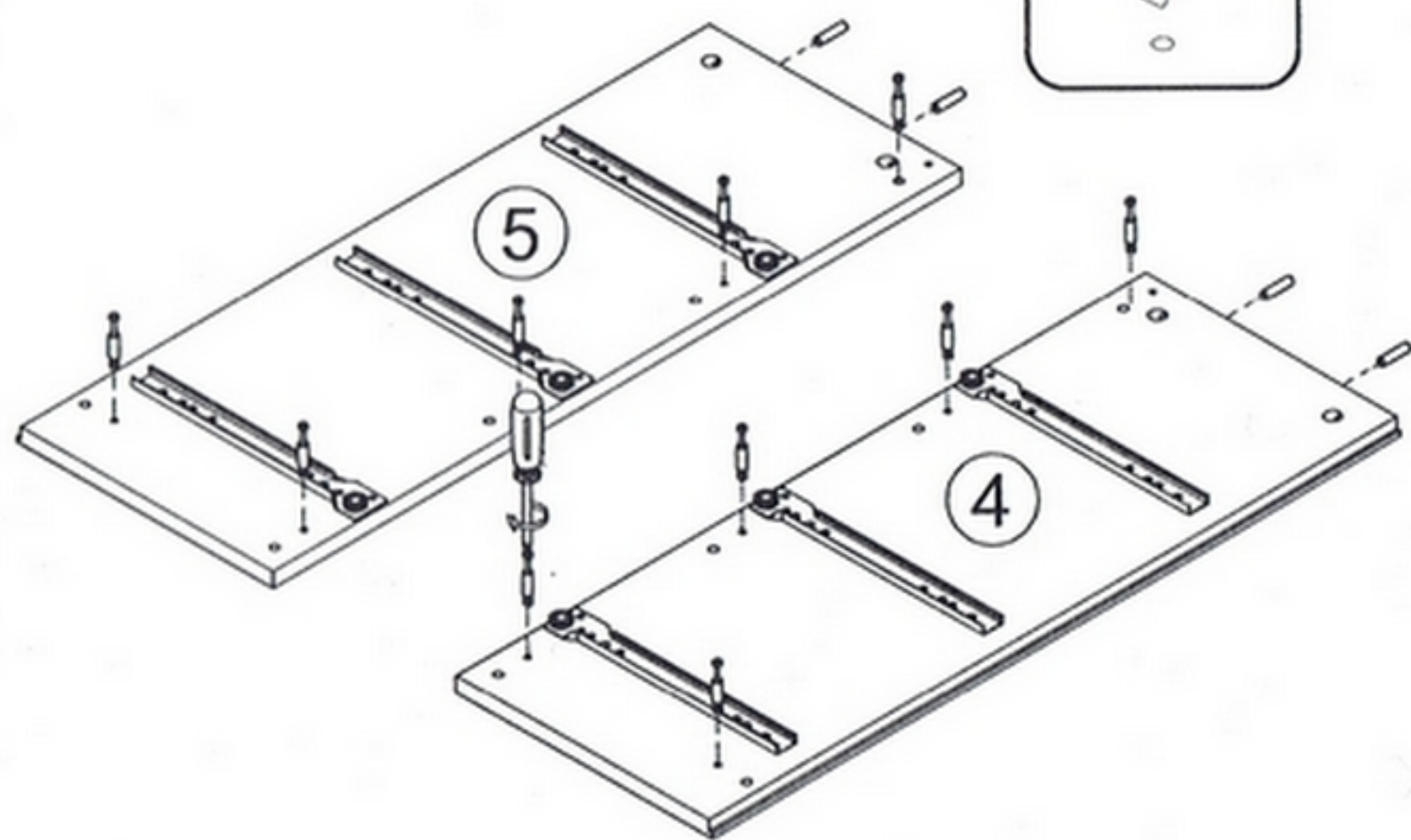
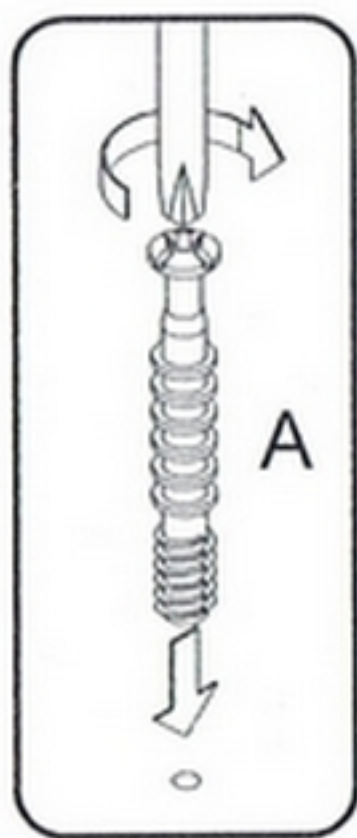
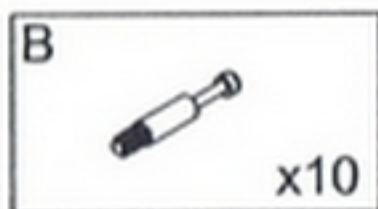
M6



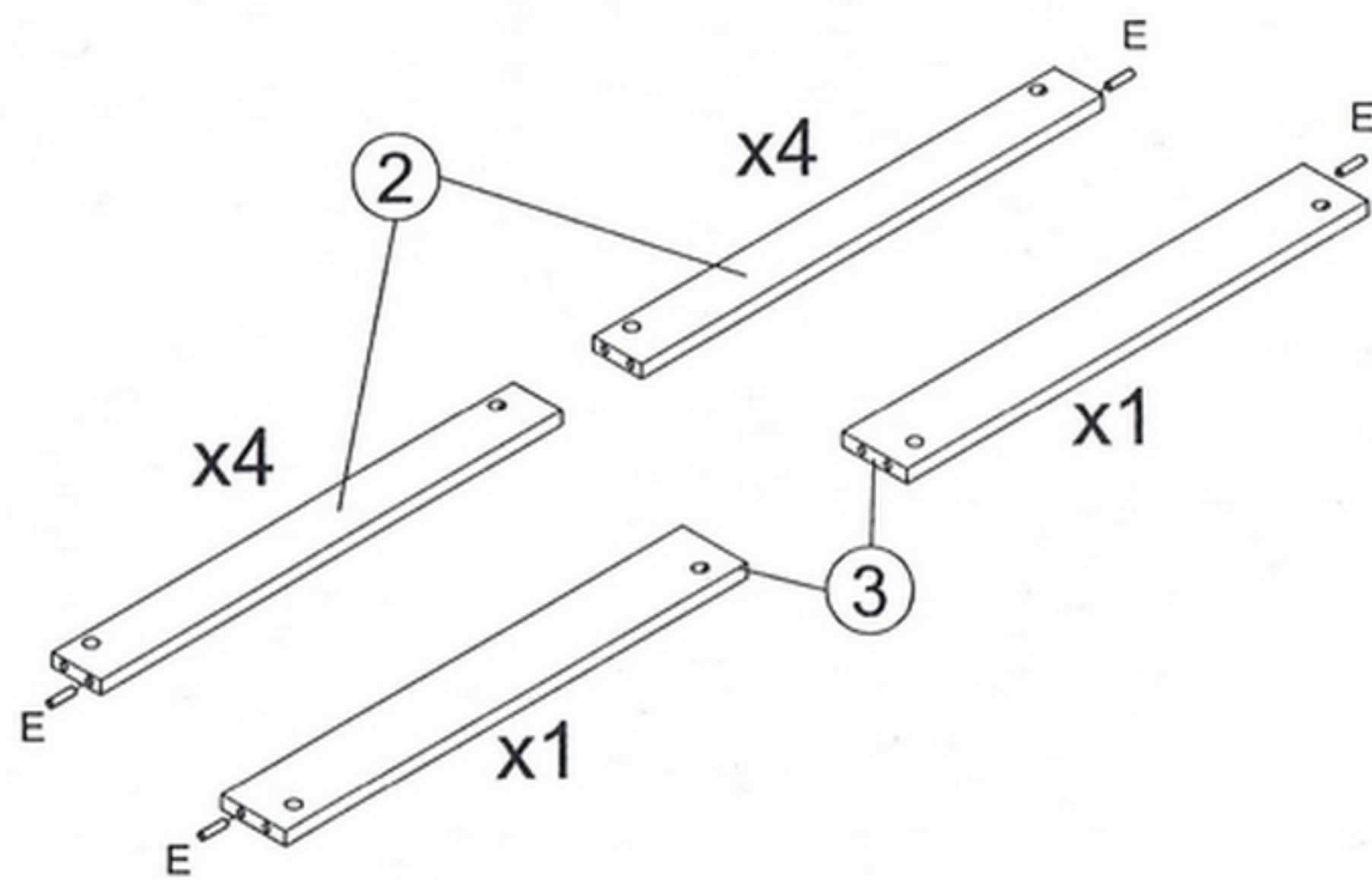
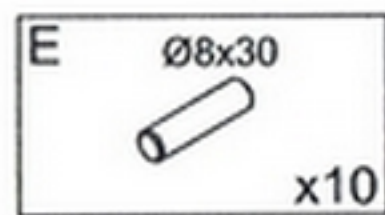
A	 x5	B	 x28	C	 x38	D	$\varnothing 8 \times 50$  5	E	$\varnothing 8 \times 30$  64	F	 x6
G	 5,8x9 x24	H	 4,0x35 x12	I	 3,5x15 x24	J	 x6	K	 x70	L	 x5
M	 x12		 x1								



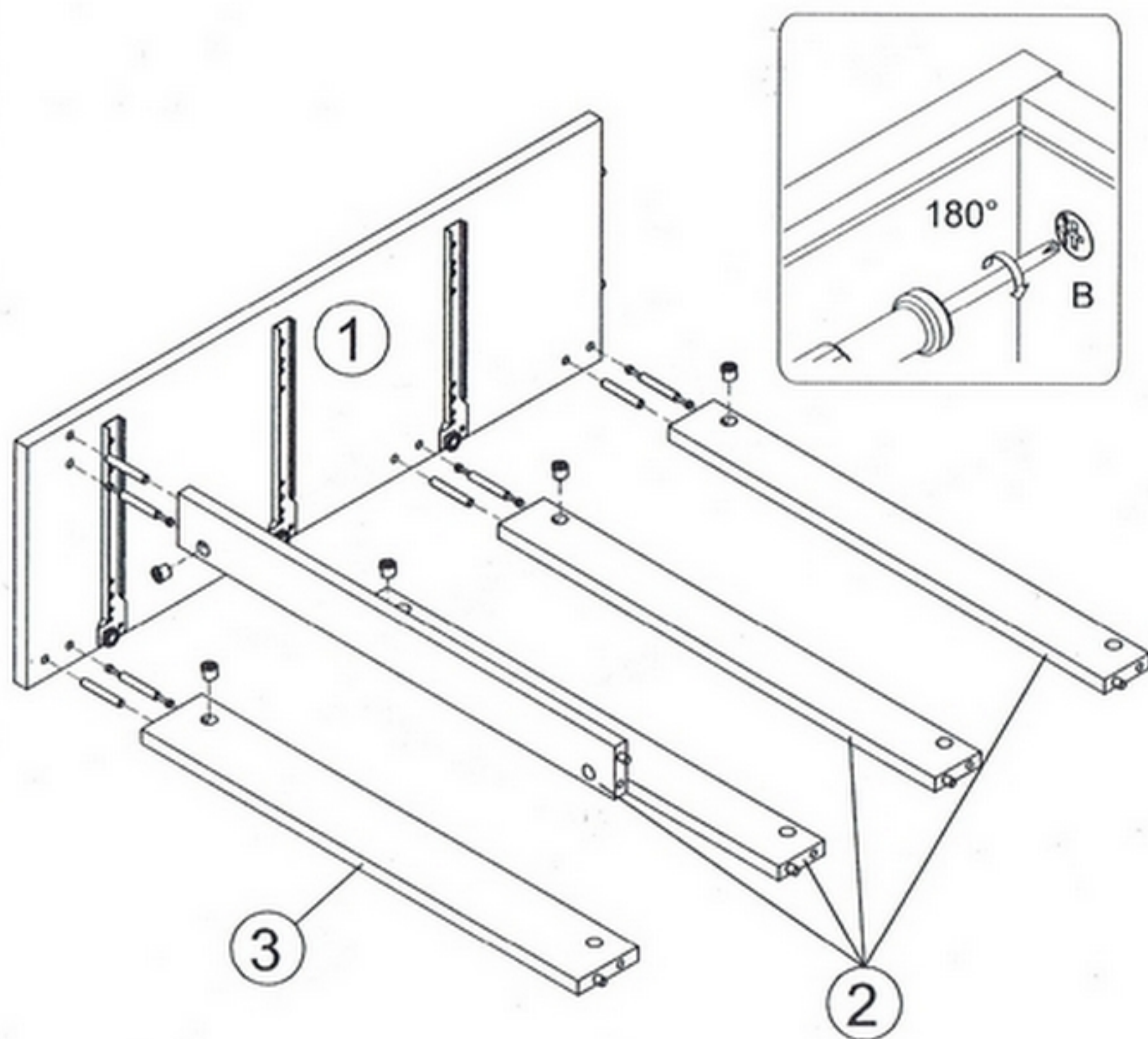
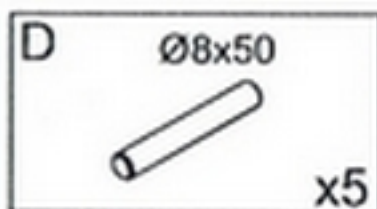
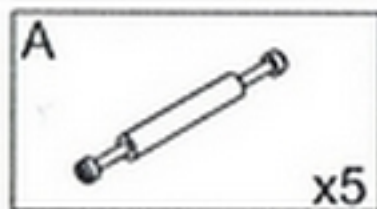
3



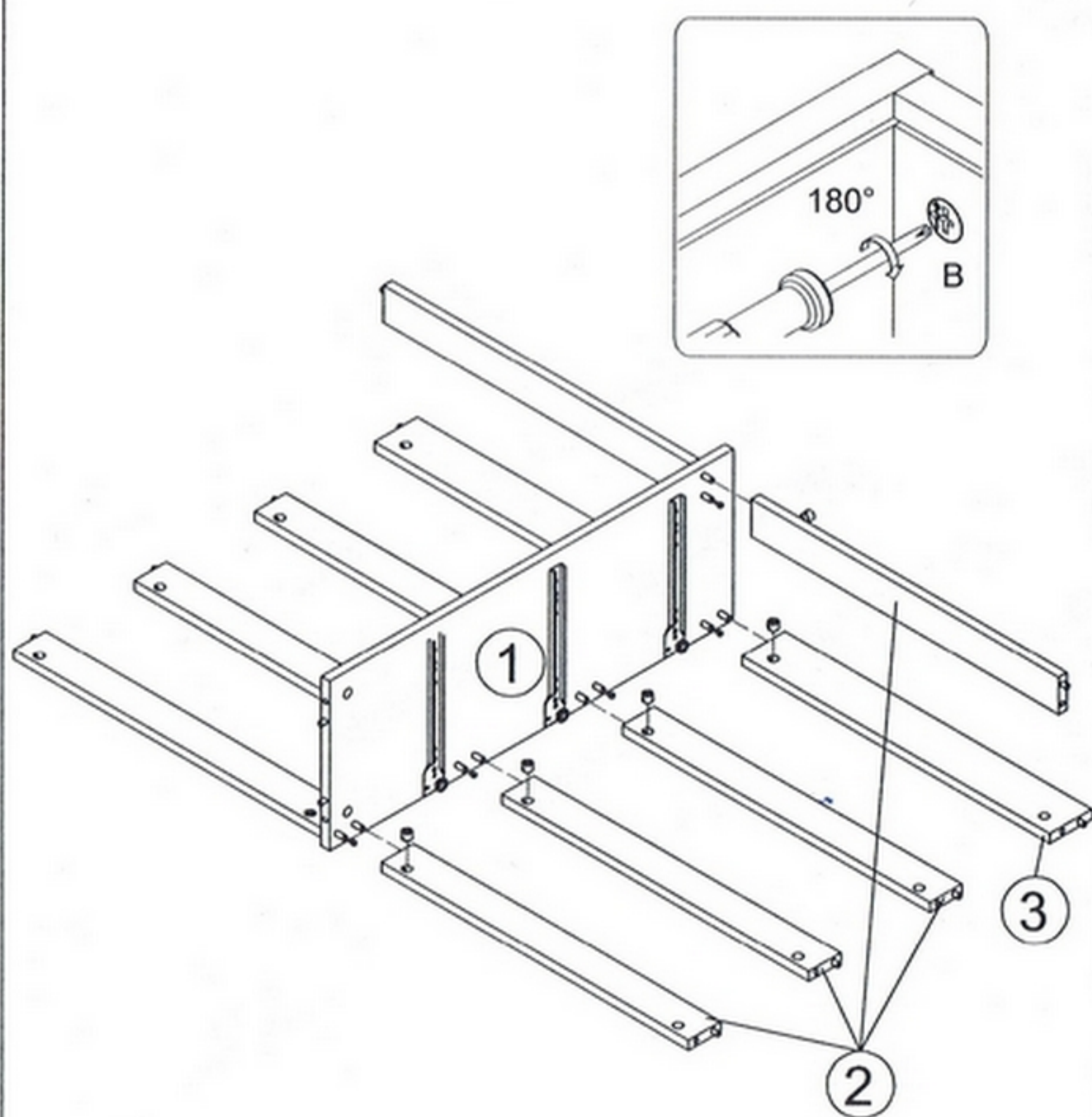
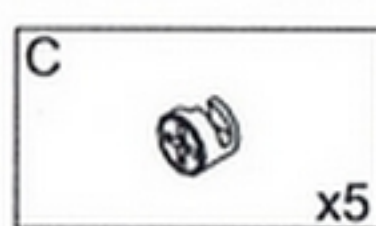
4



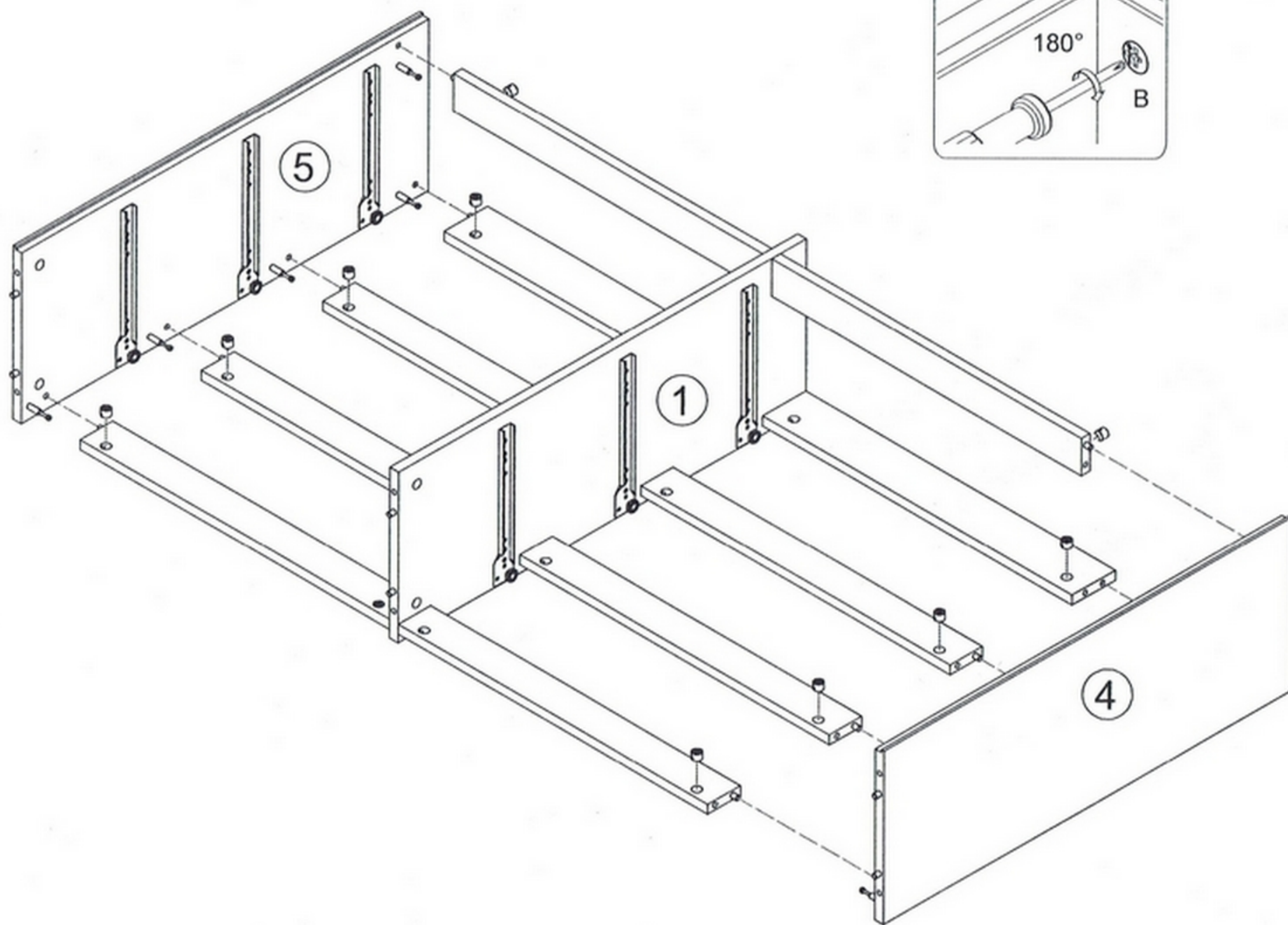
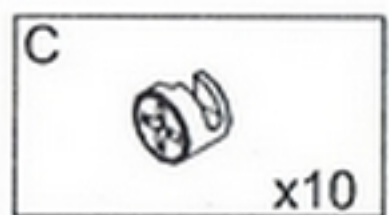
5



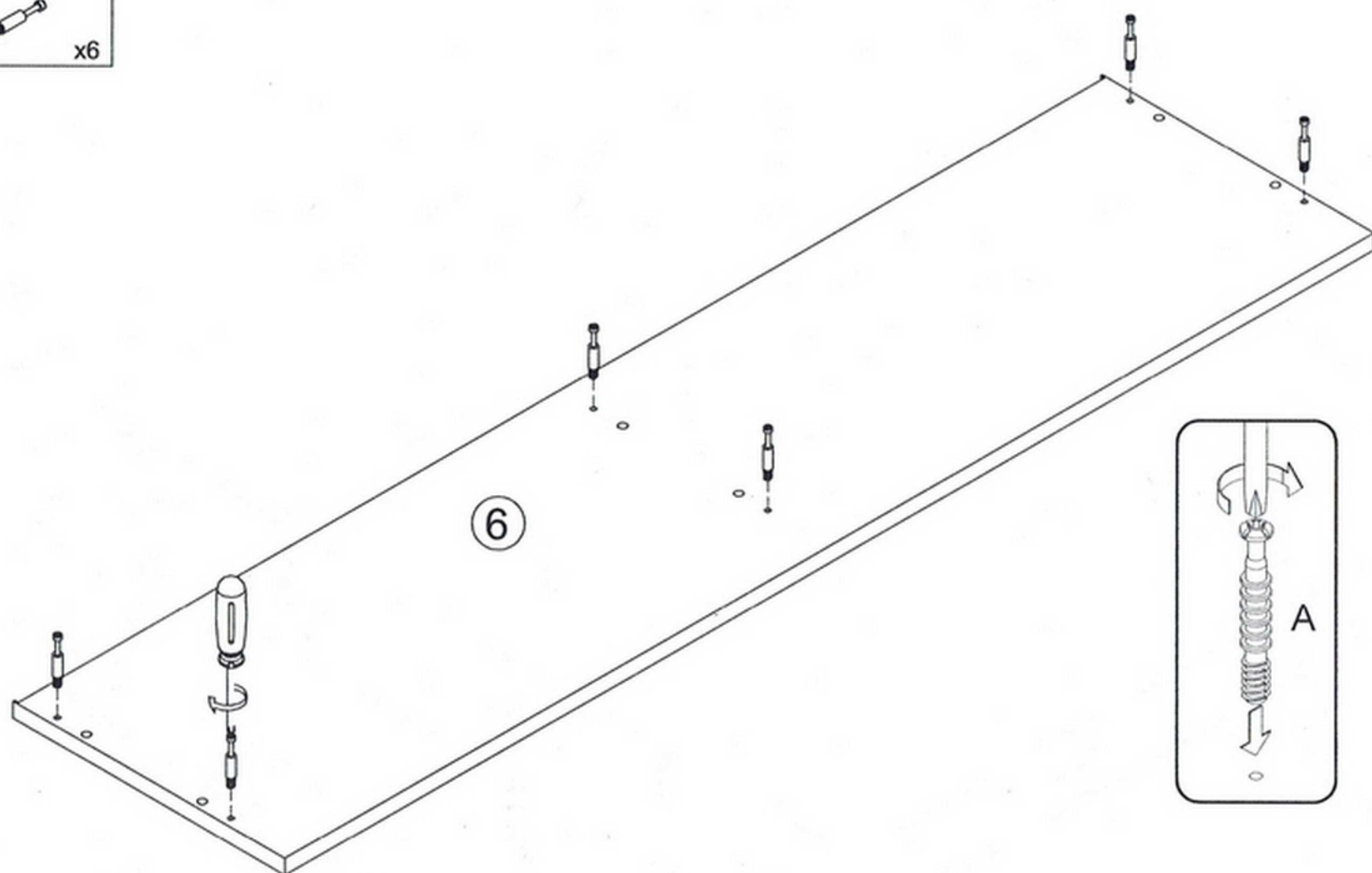
6



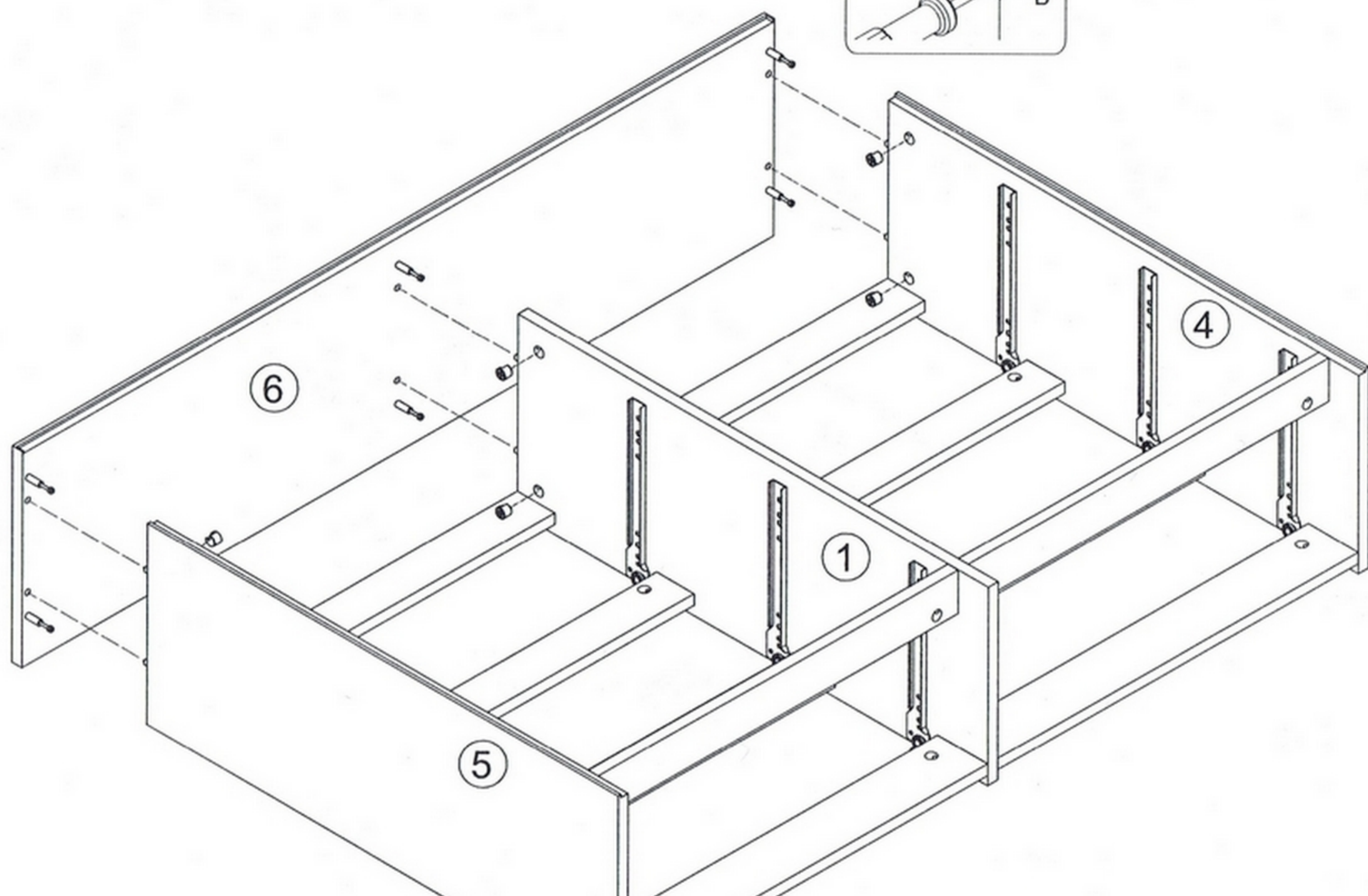
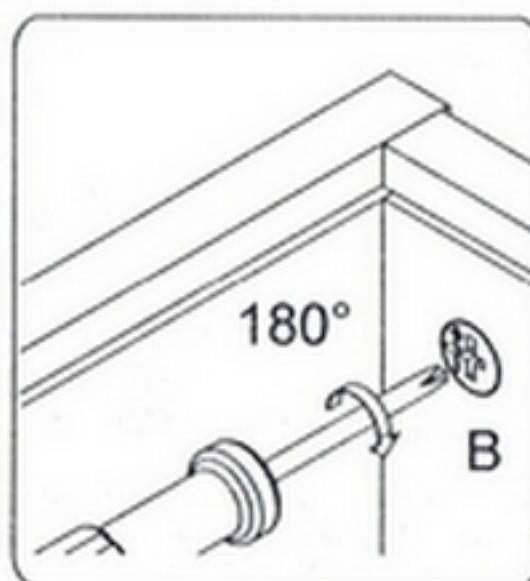
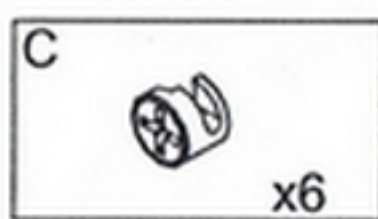
7



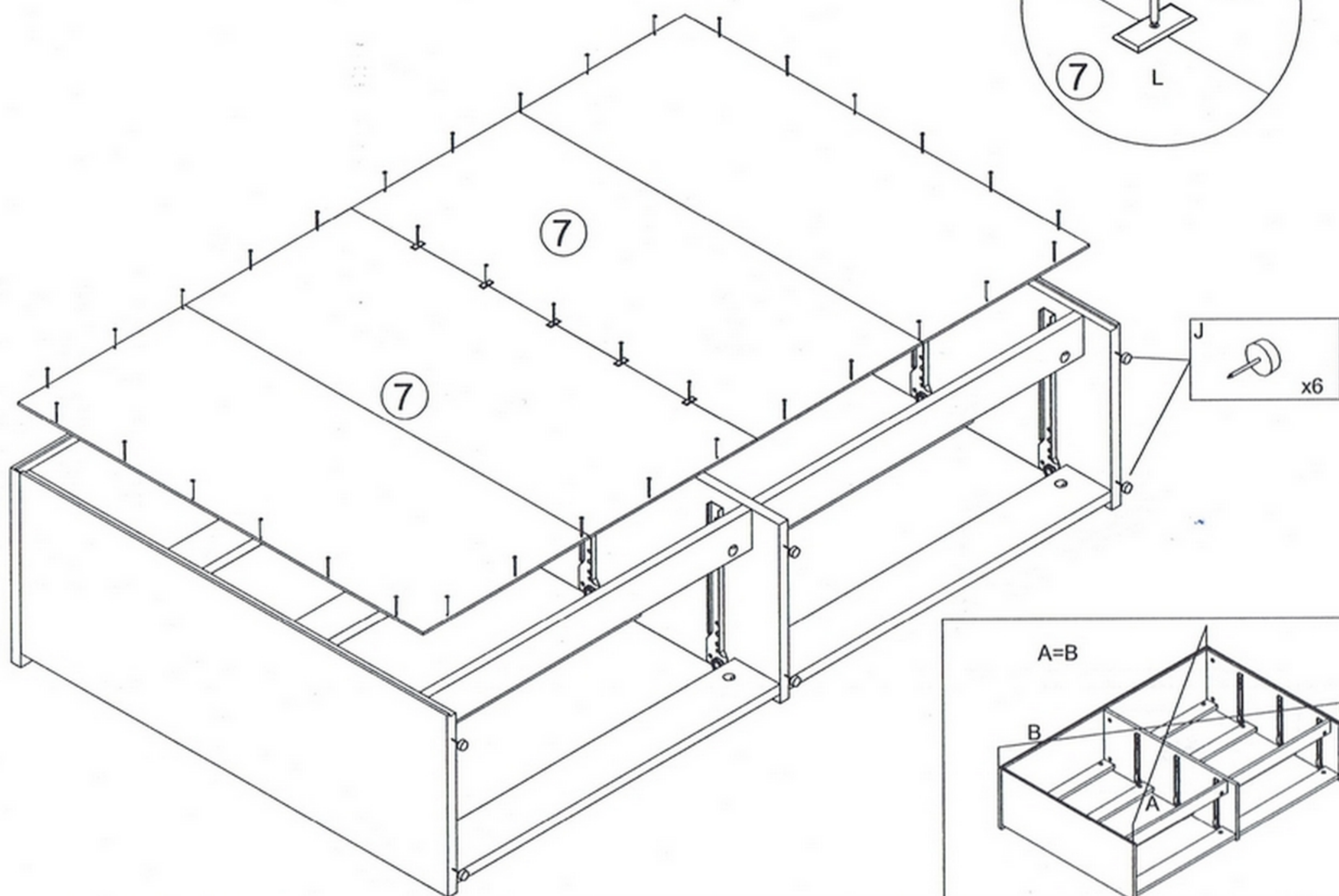
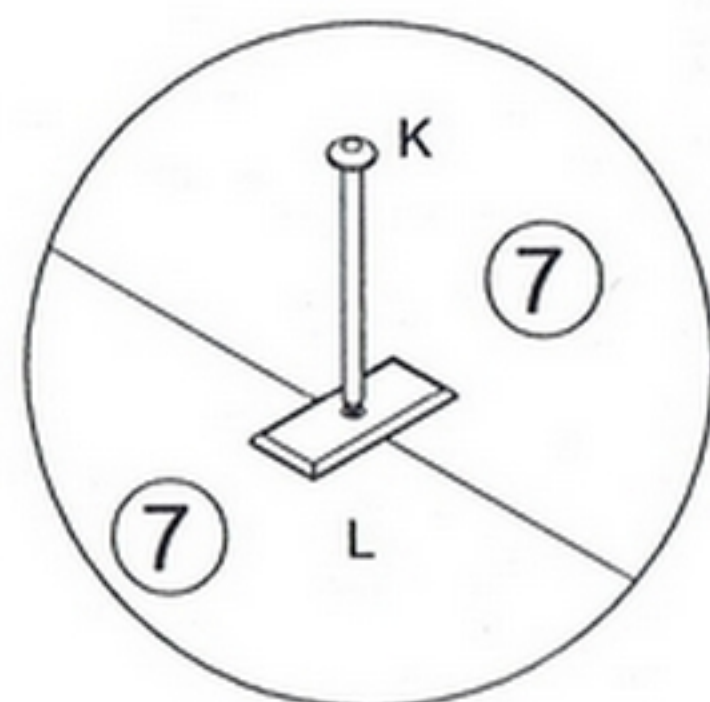
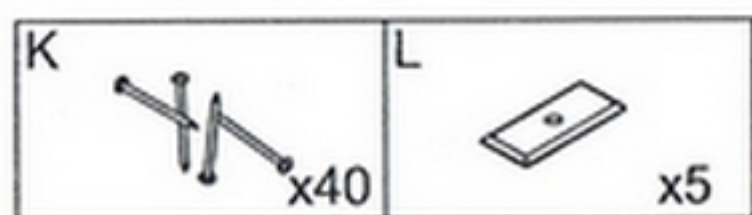
8



9



10



11

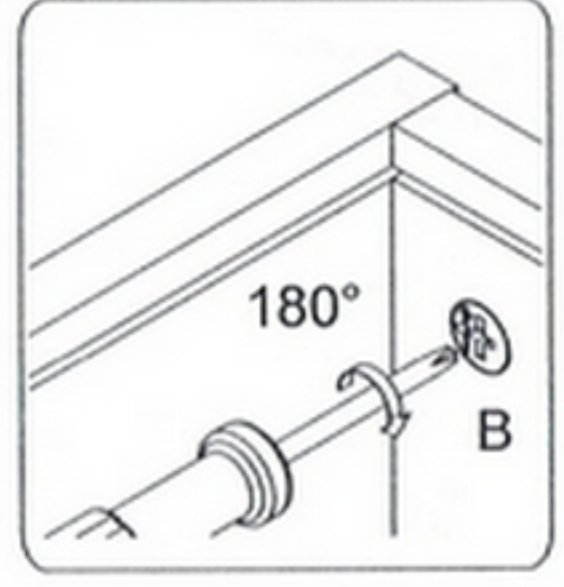
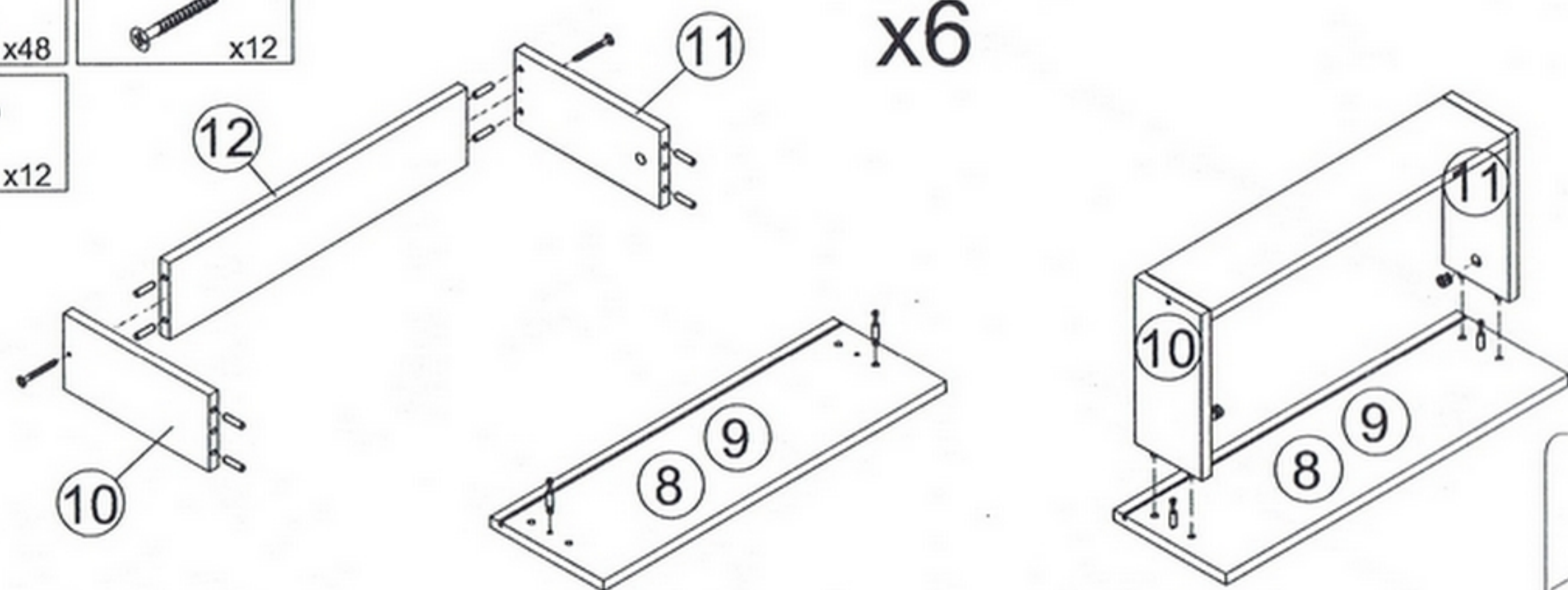
- E $\varnothing 8 \times 30$ x48
- H 4,0x35 x12

- B x12

- C x12

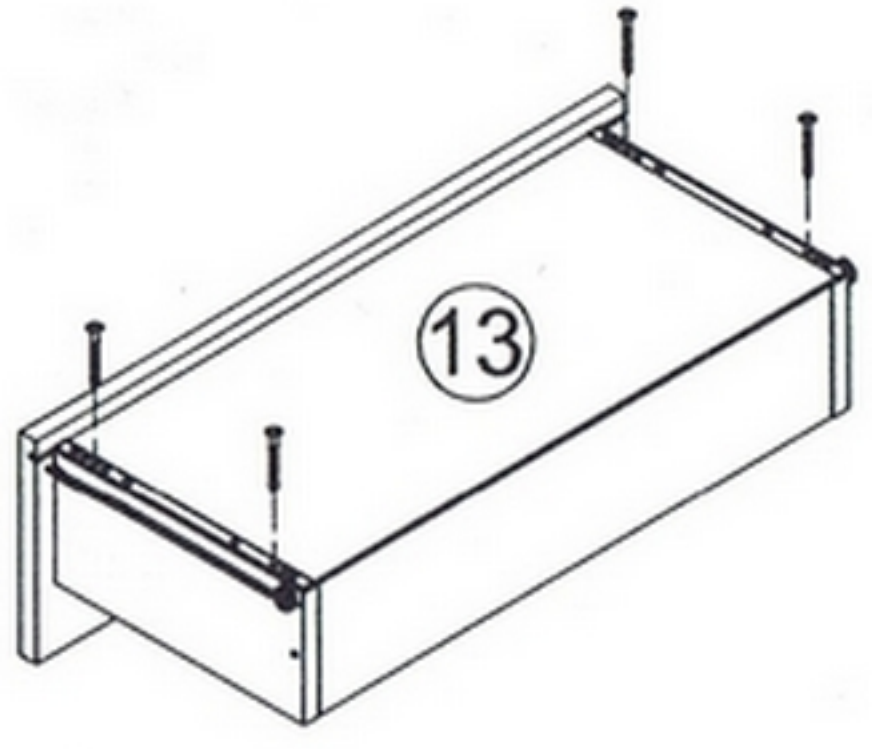
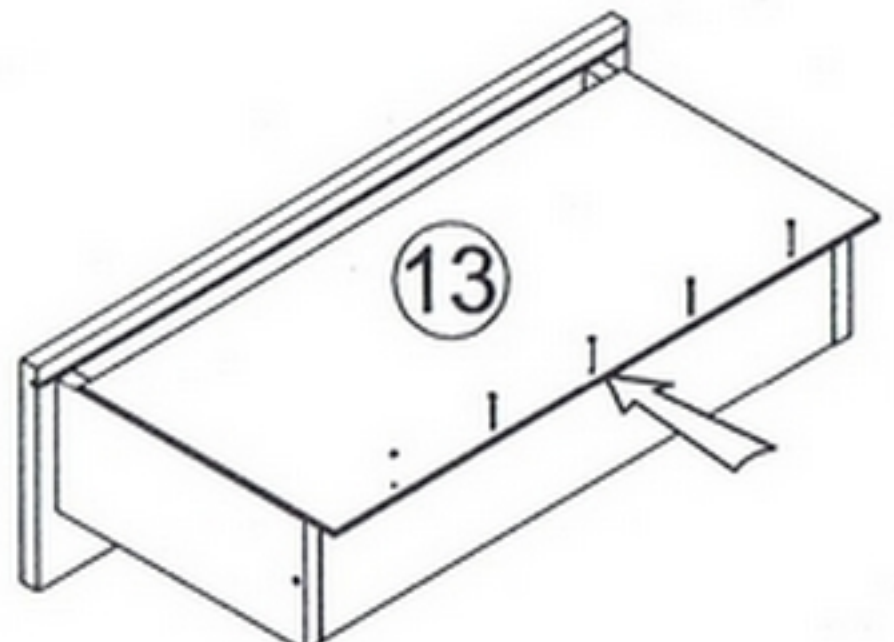
- M x12

x6



- K x30

- F
- I 4,0x35 x24



12

- x1

