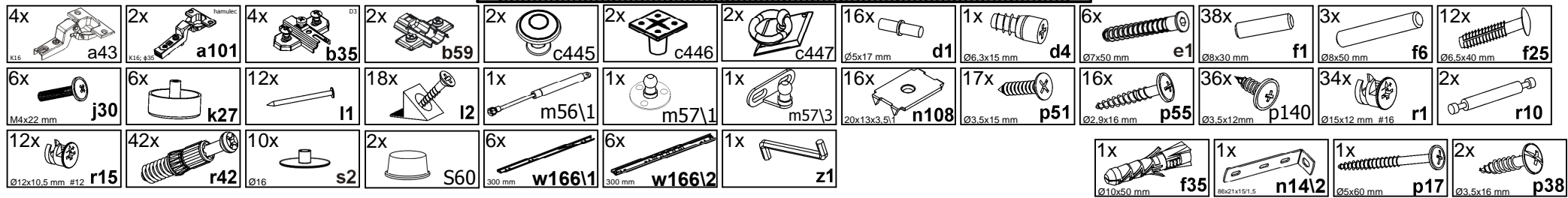
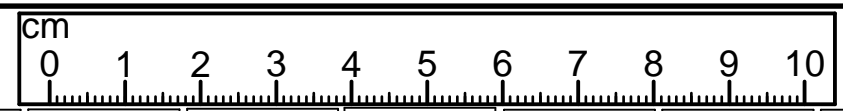
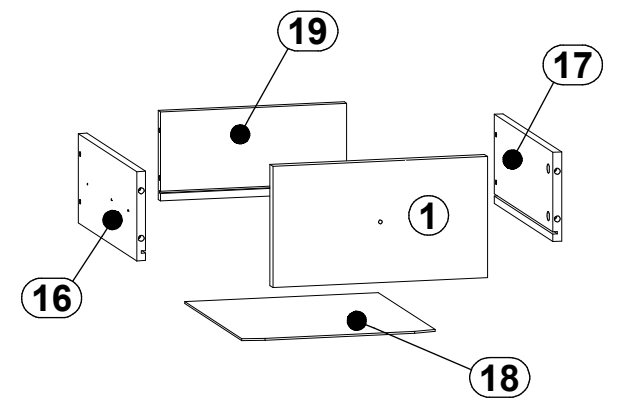
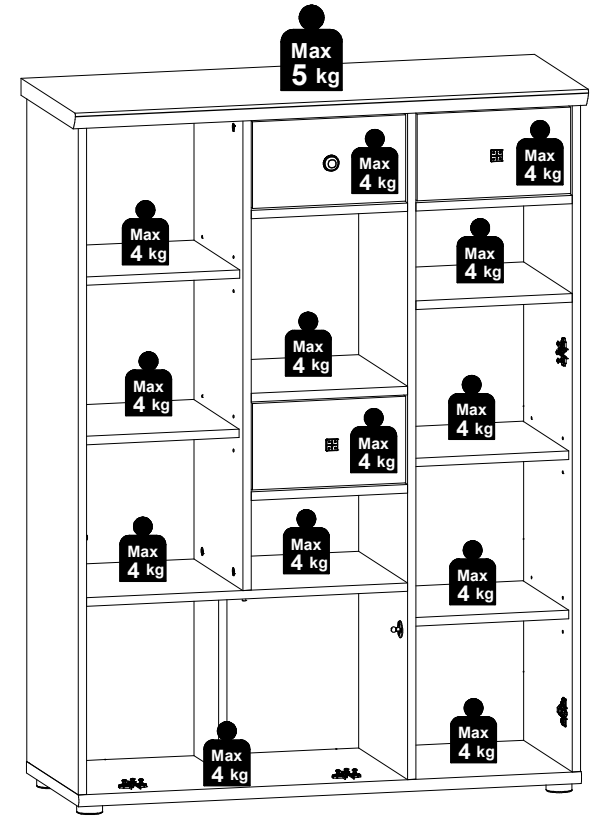
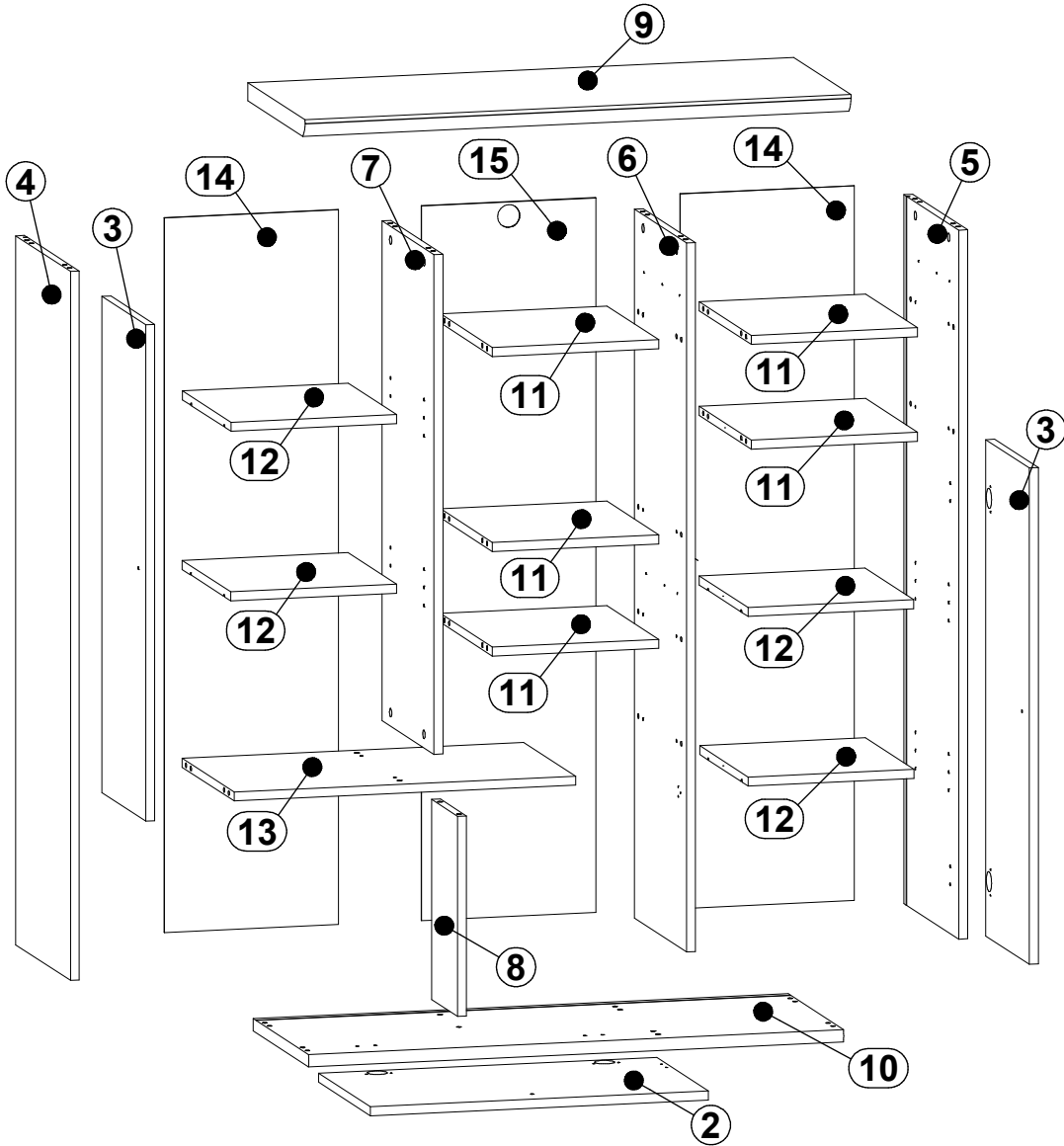
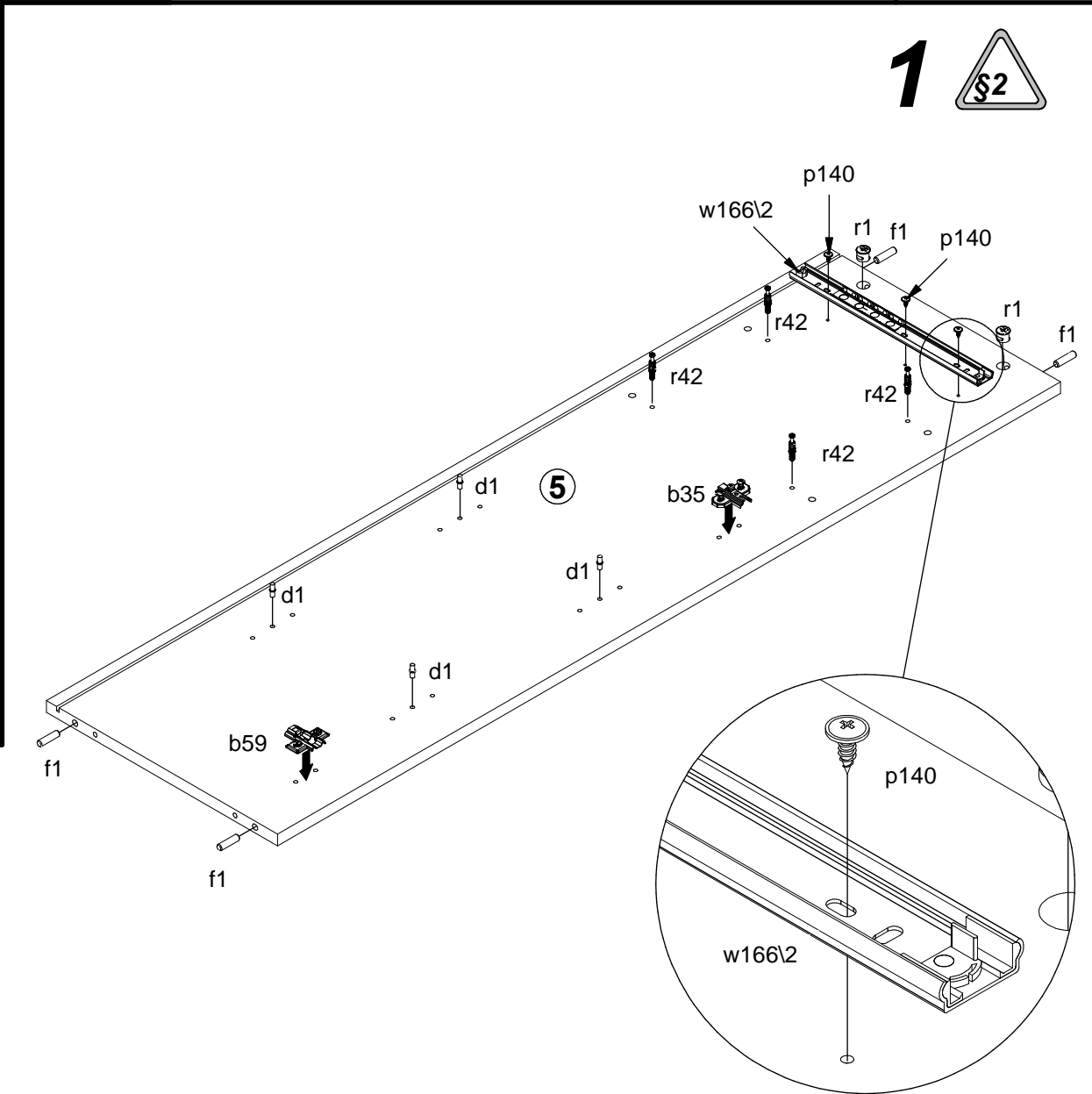
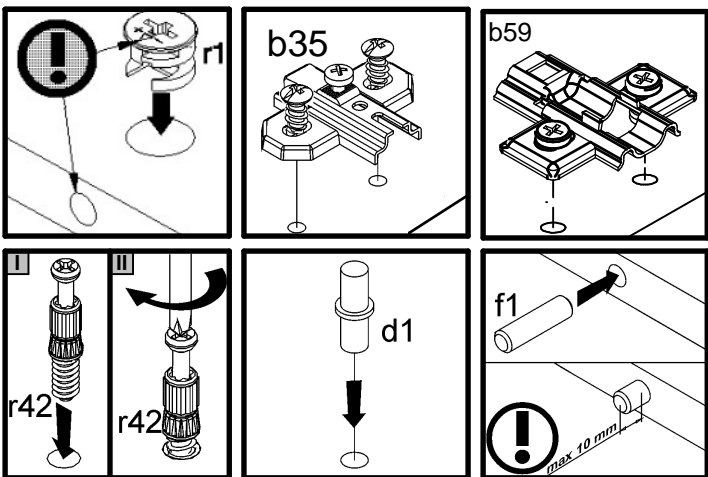
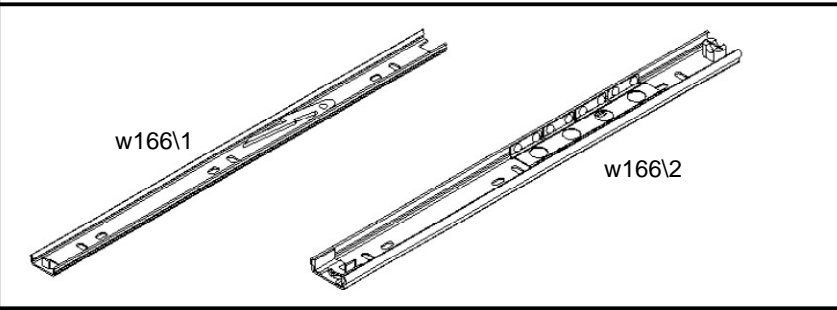
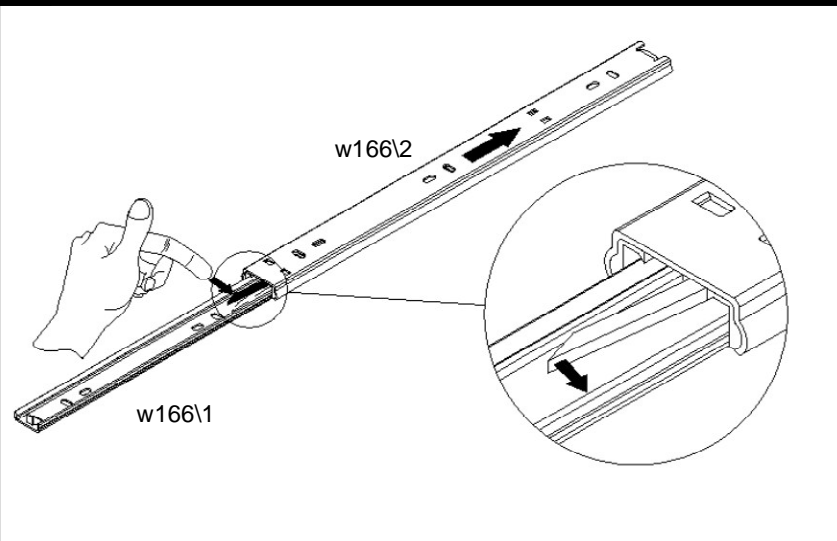


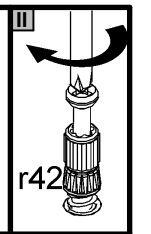
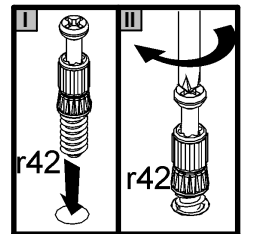
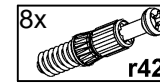
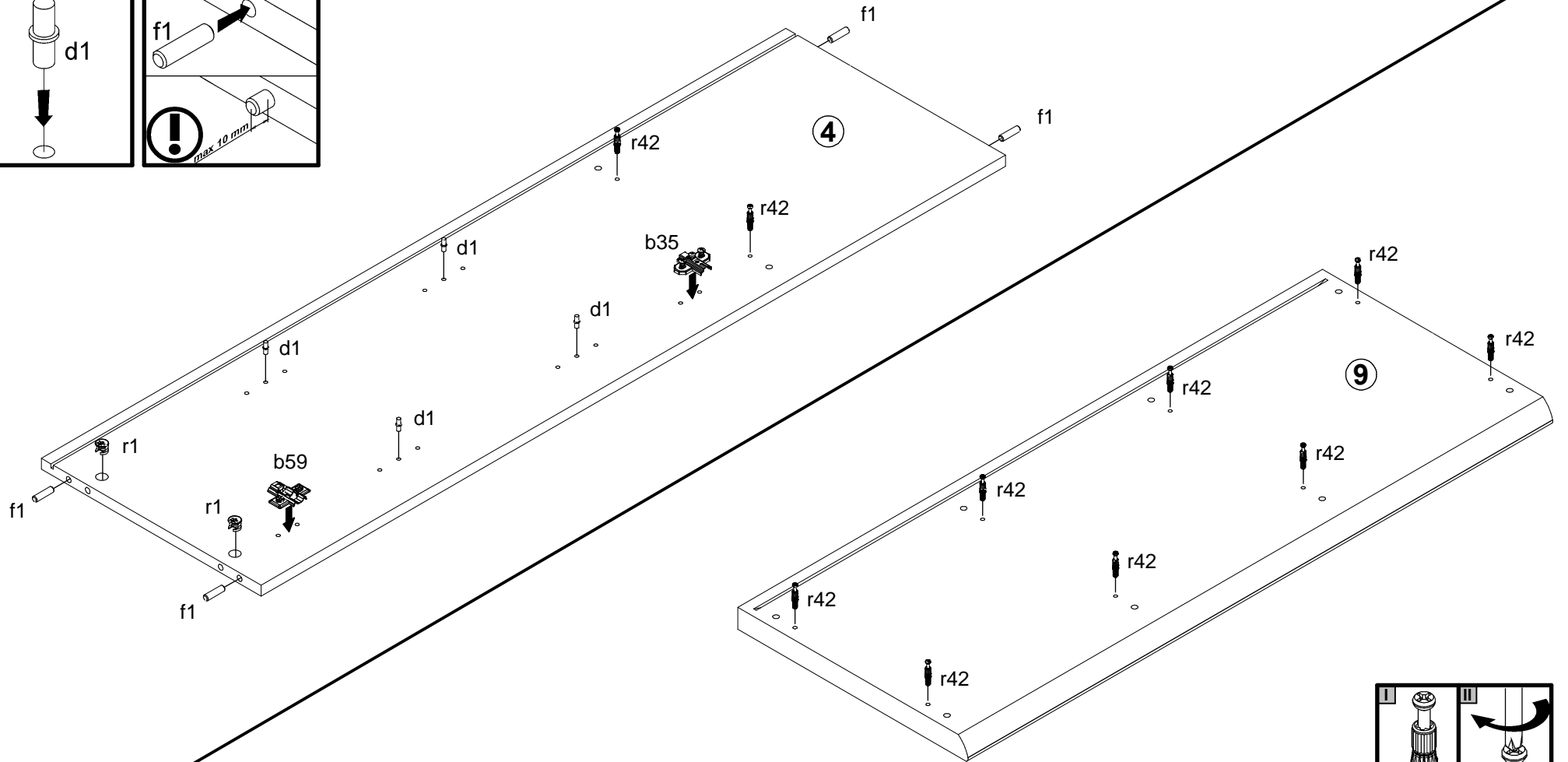
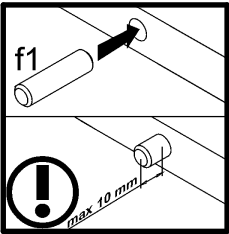
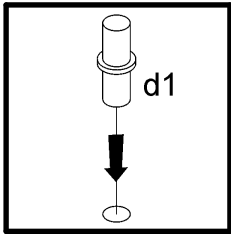
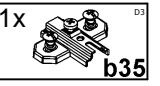
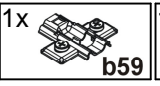
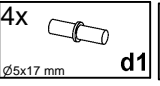
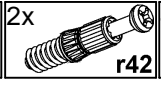
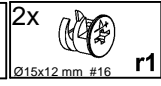
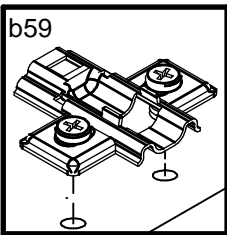
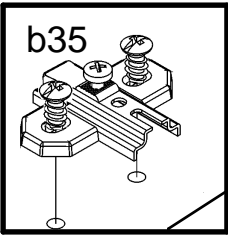
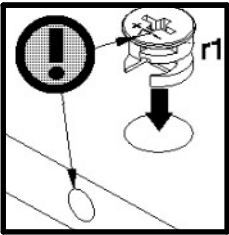
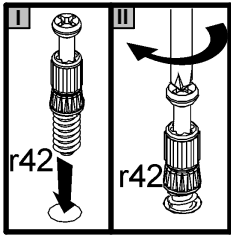
A	B	C (mm)		D
1	S248-0009	163	294	2/2
2	S248-0010	348	610	2/2
3	S248-0011	878	294	2/2
4	S248-1009	1254	370	2/2
5	S248-1010	1254	370	2/2
6	S248-1011	1254	350	2/2
7	S248-1012	884	350	2/2
8	S248-1013	354	175	2/2
9	S248-2004	985	388	1/2
10	S248-2005	965	375	1/2
11	S248-3007	300	350	1/2
12	S248-3008	299	327	1/2
13	S248-3009	616	350	1/2
14	S248-9002	1264	314	2/2
15	S248-9004	1264	314	2/2
16	WSK3-503	300	120	1/2
17	WSK3-504	300	120	1/2
18	WSP-9090	265	298	1/2
19	WTR-5026	255	120	1/2

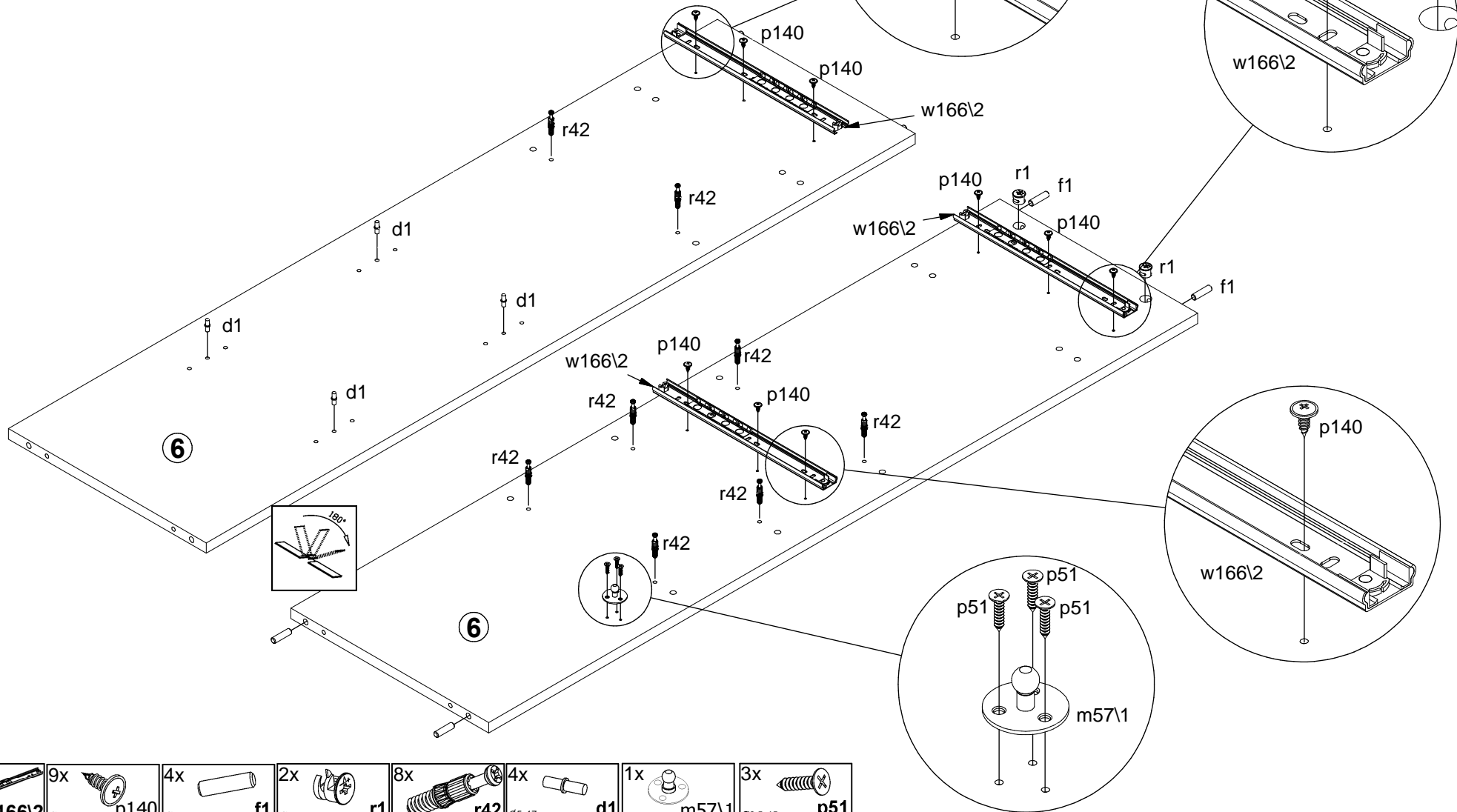
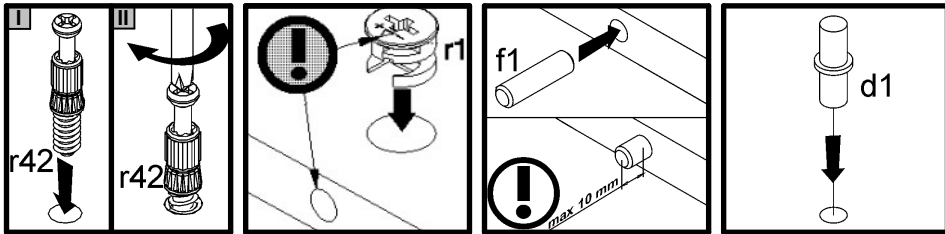






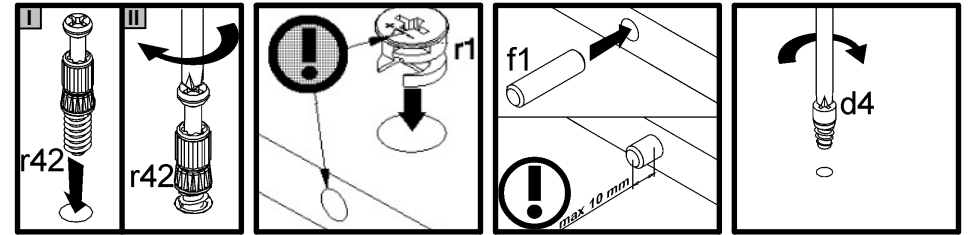
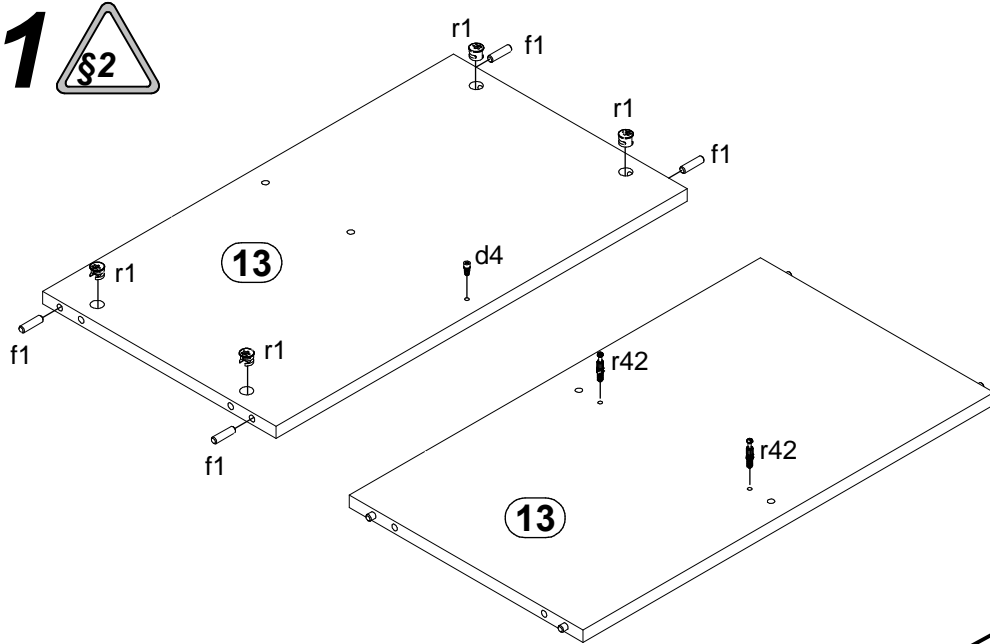
1x	1x	1x	3x	4x	2x	4x	4x
b59	b35	300 mm w166\2	Ø3,5x12mm p140	Ø8x30 mm f1	Ø15x12 mm #16 r1	r42	Ø5x17 mm d1



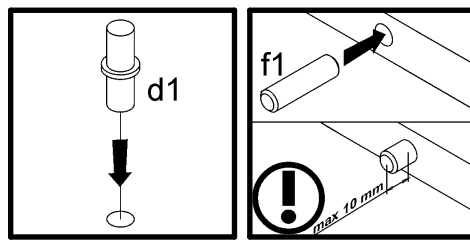
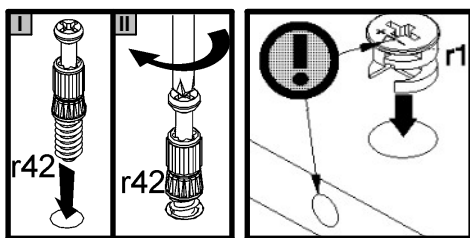
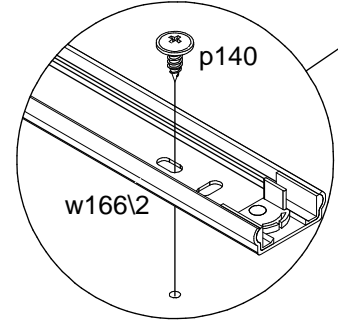
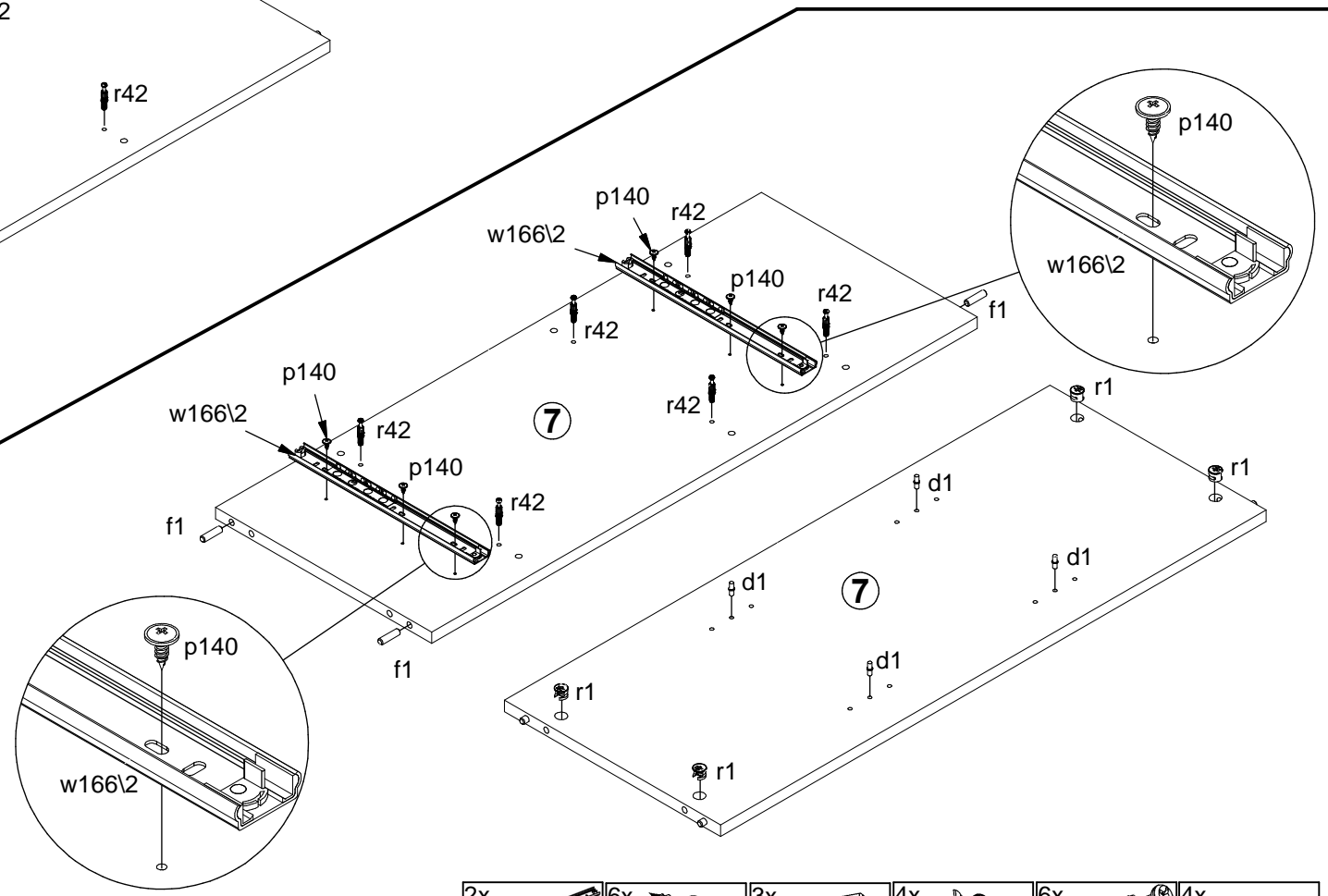


- 3x w166\2 300 mm
- 9x p140 Ø3,5x12mm
- 4x f1 Ø8x30 mm
- 2x r1 Ø15x12 mm #16
- 8x r42 Ø5x17 mm
- 4x d1
- 1x m57\1
- 3x p51 Ø3,5x15 mm

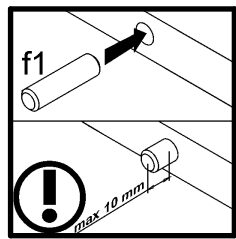
1 §2



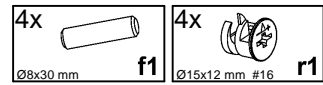
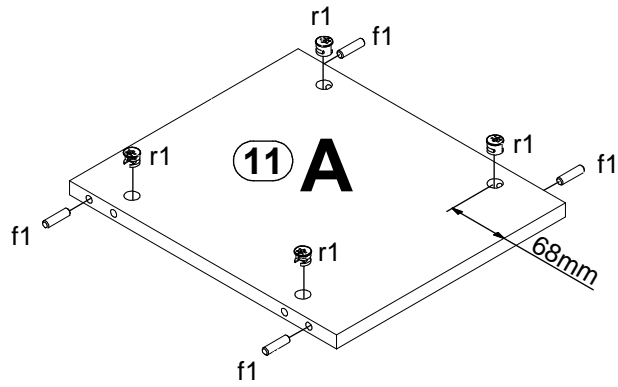
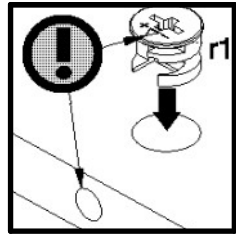
- 1x **d4**
Ø6,3x15 mm
- 4x **f1**
Ø8x30 mm
- 4x **r1**
Ø15x12 mm #16
- 2x **r42**



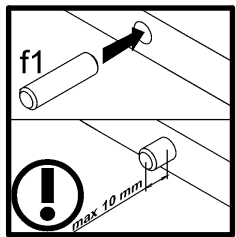
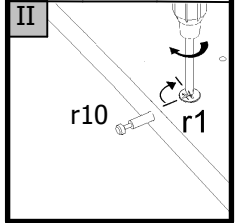
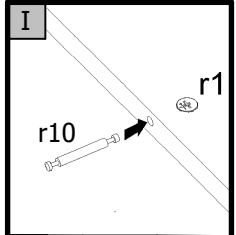
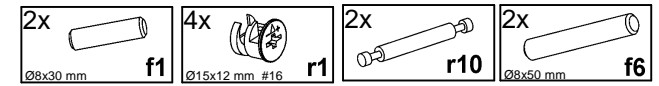
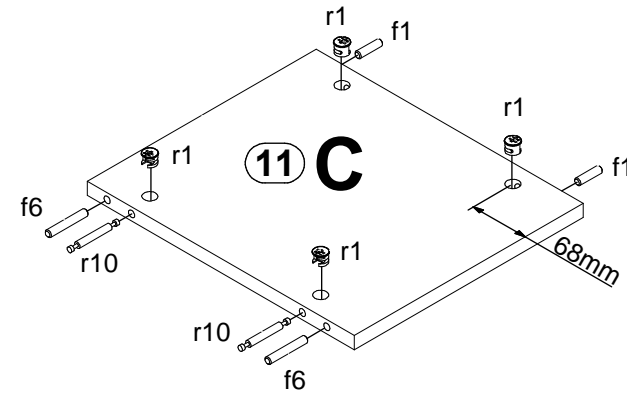
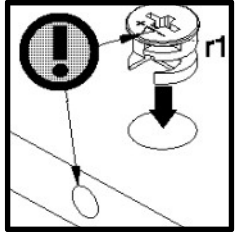
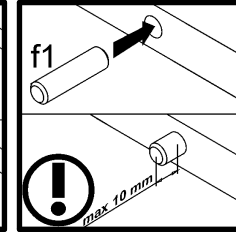
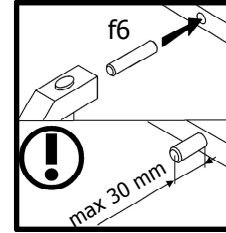
- 2x **w166\2**
300 mm
- 6x **p140**
Ø3,5x12mm
- 3x **f1**
Ø8x30 mm
- 4x **r1**
Ø15x12 mm #16
- 6x **r42**
- 4x **d1**
Ø5x17 mm



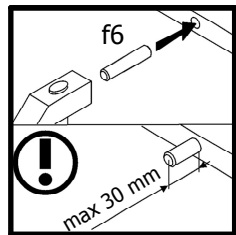
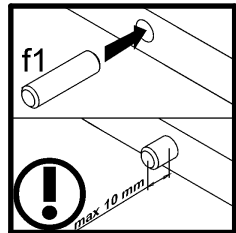
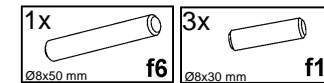
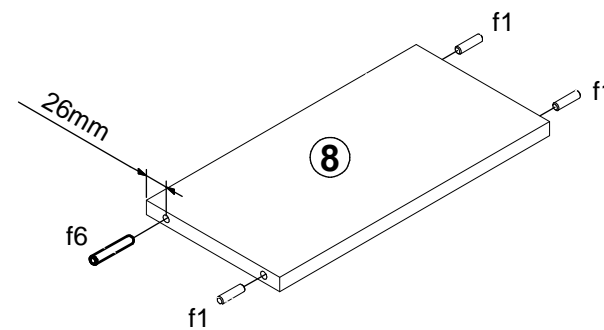
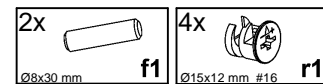
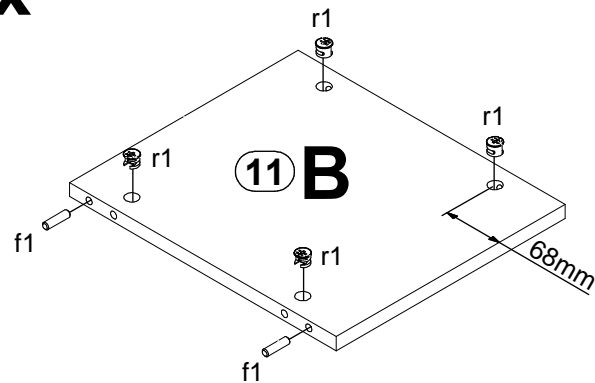
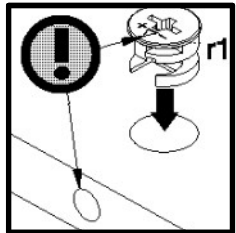
3x

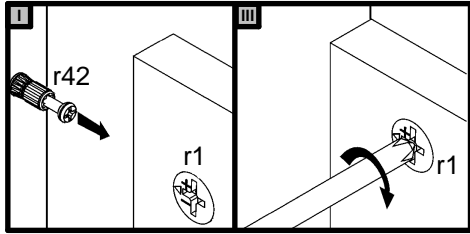


1x



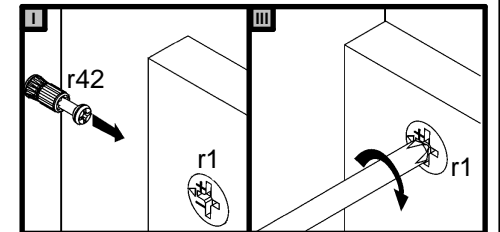
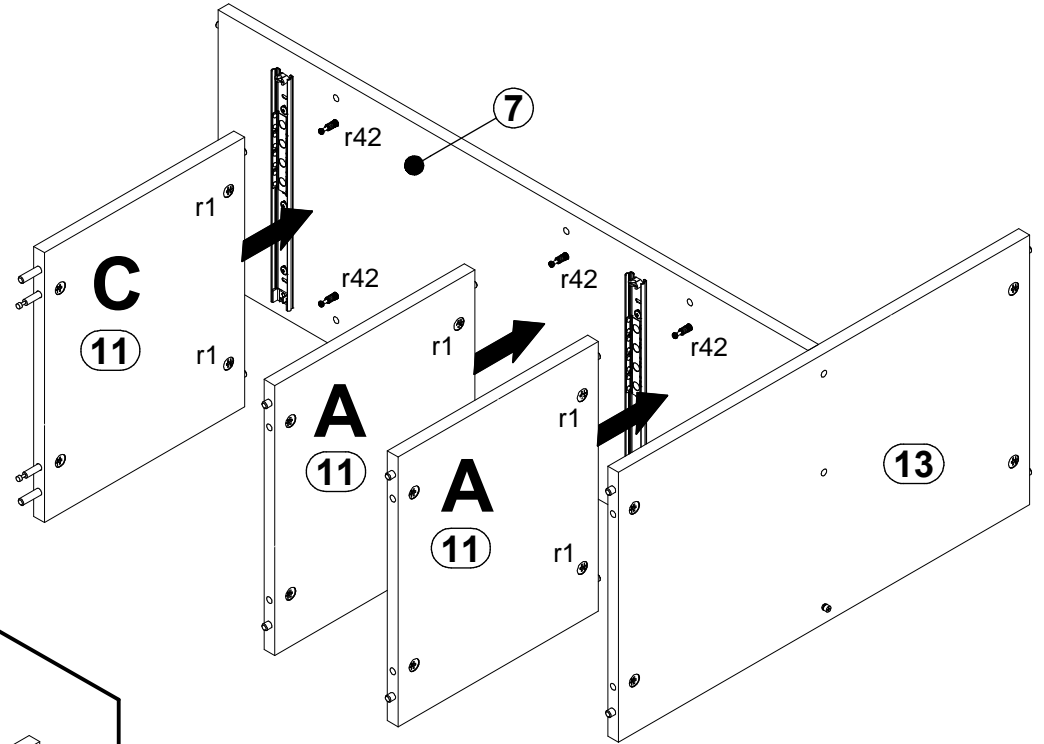
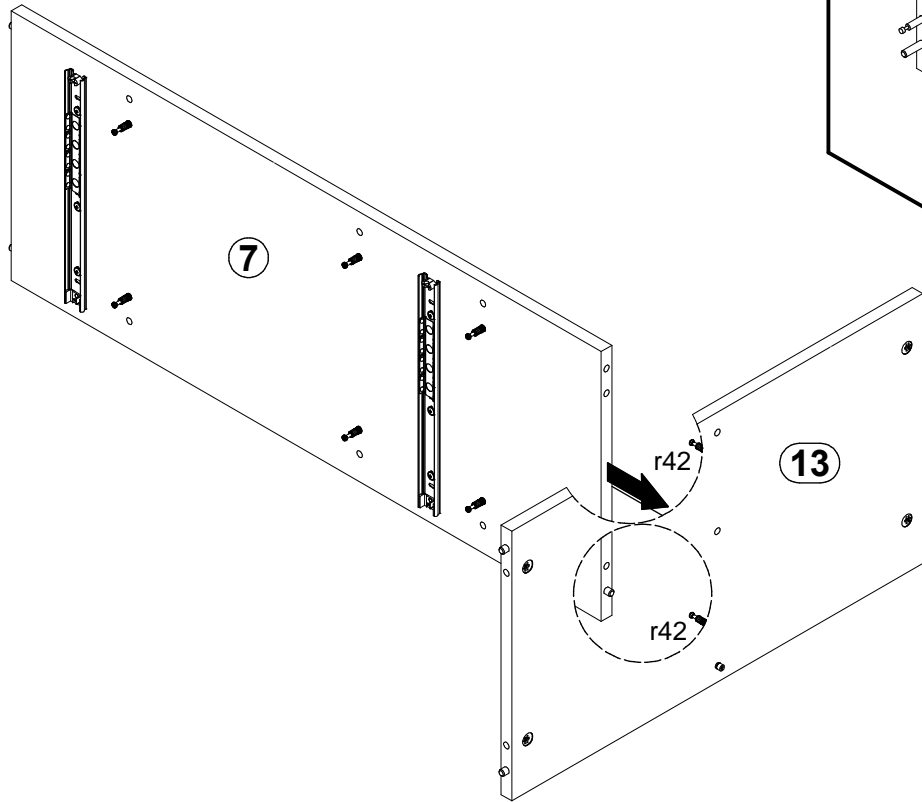
1x

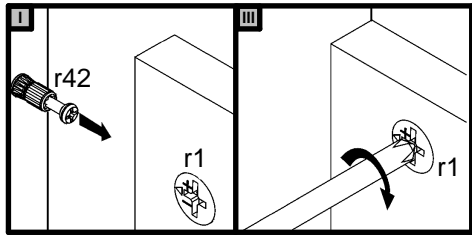




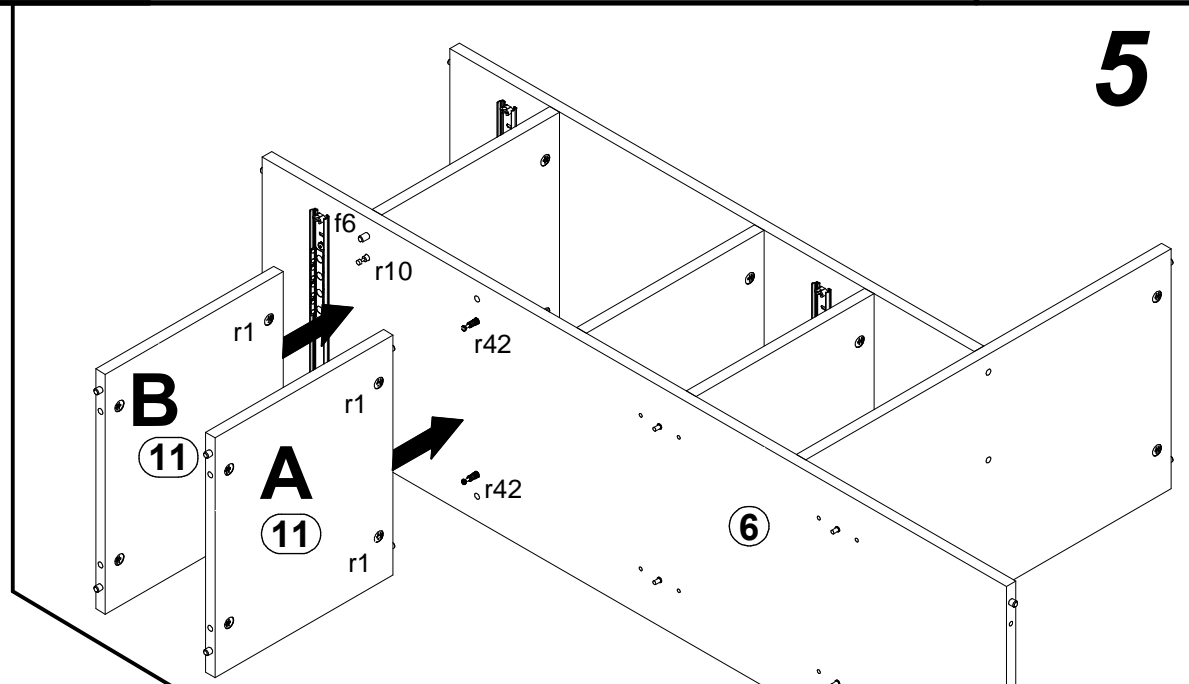
2

3

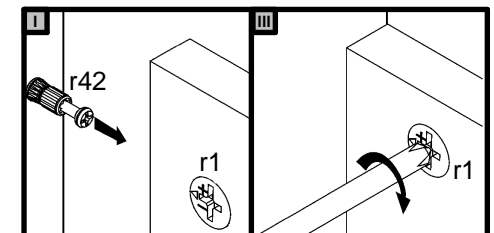
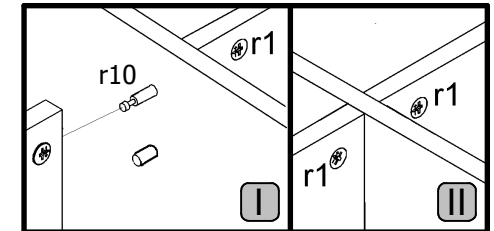
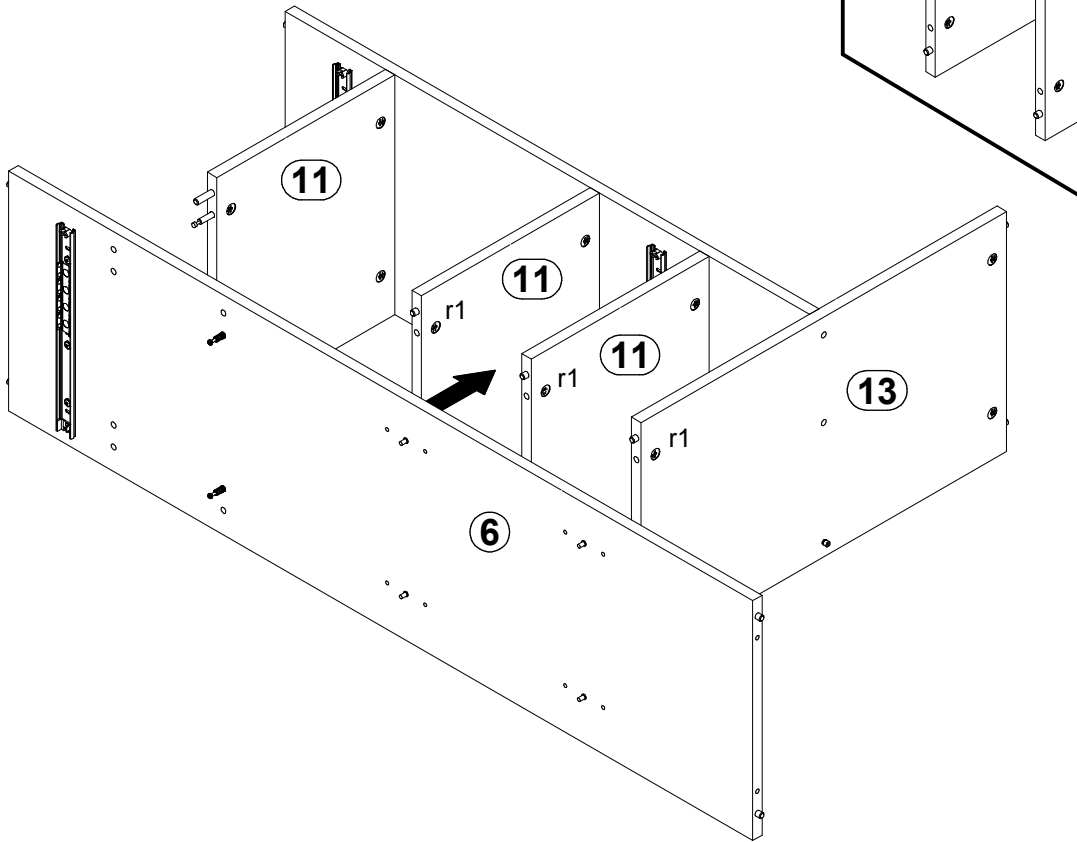




4

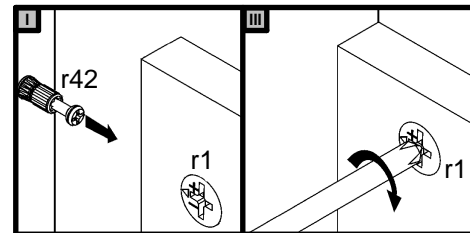
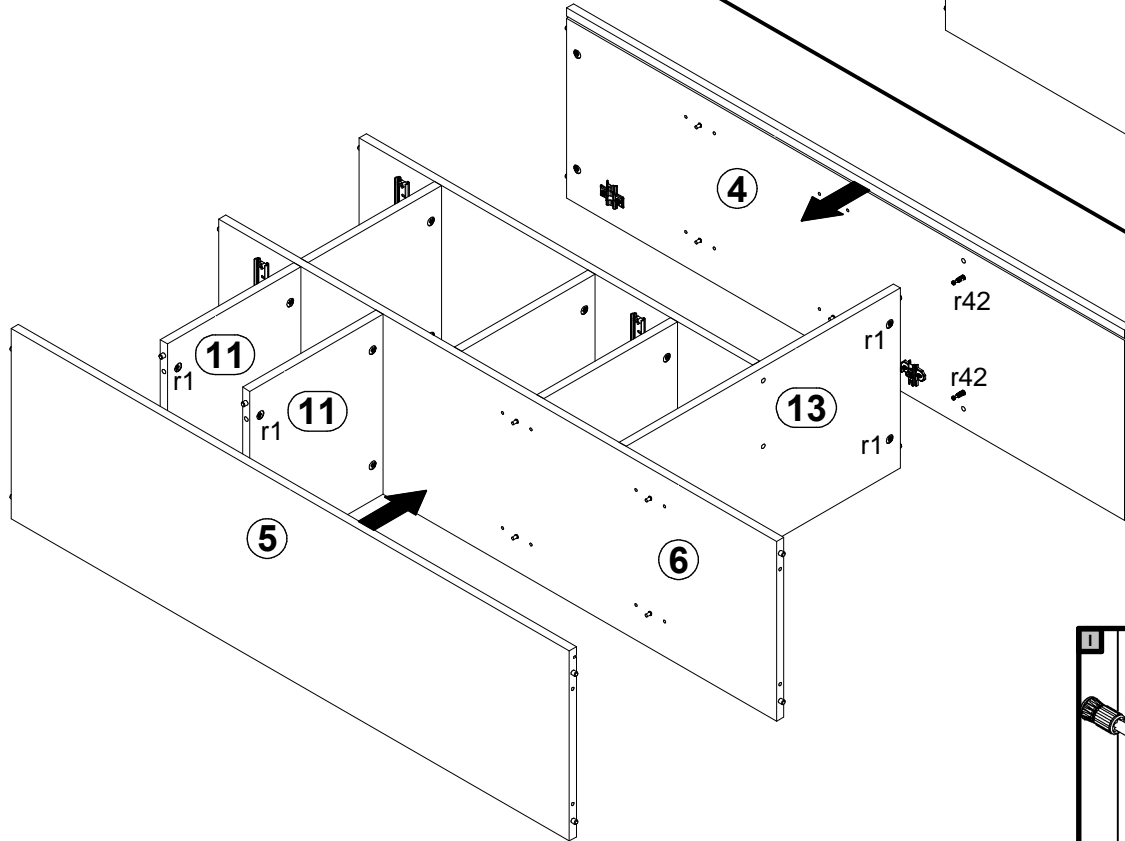
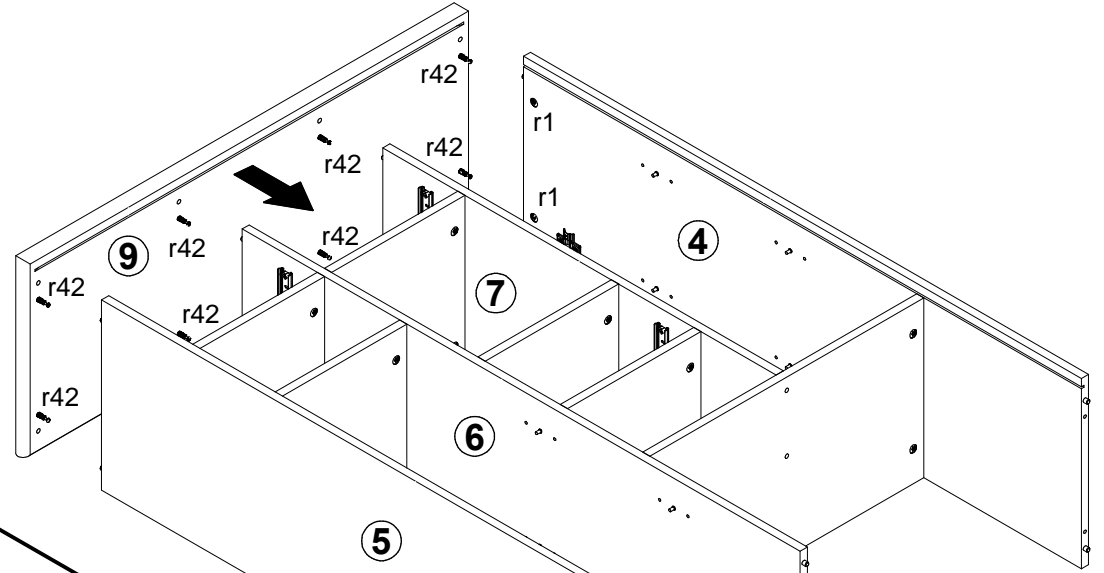
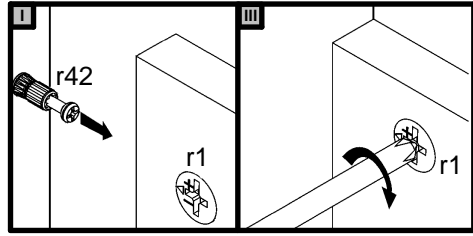


5

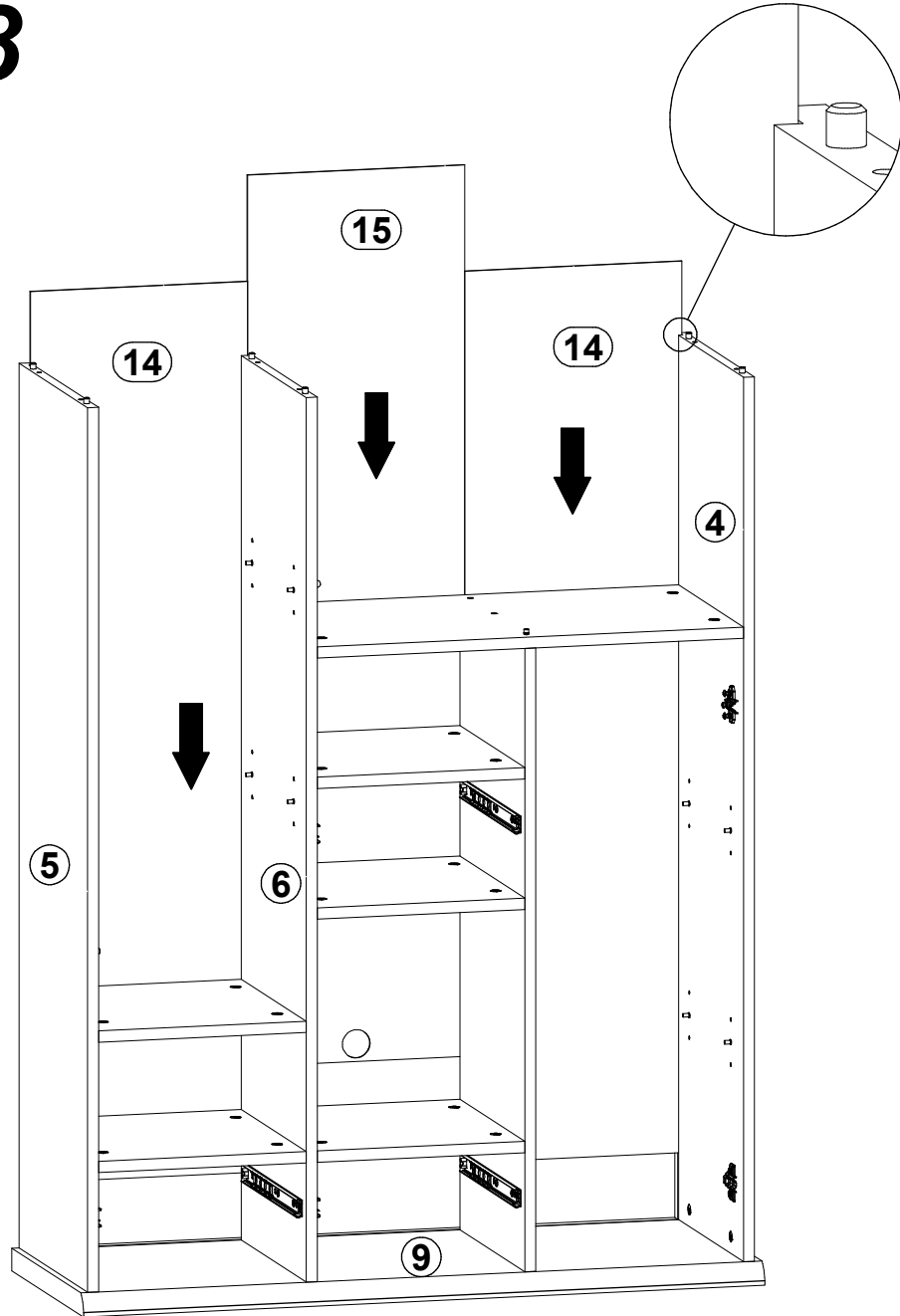


6

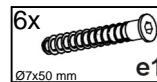
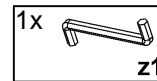
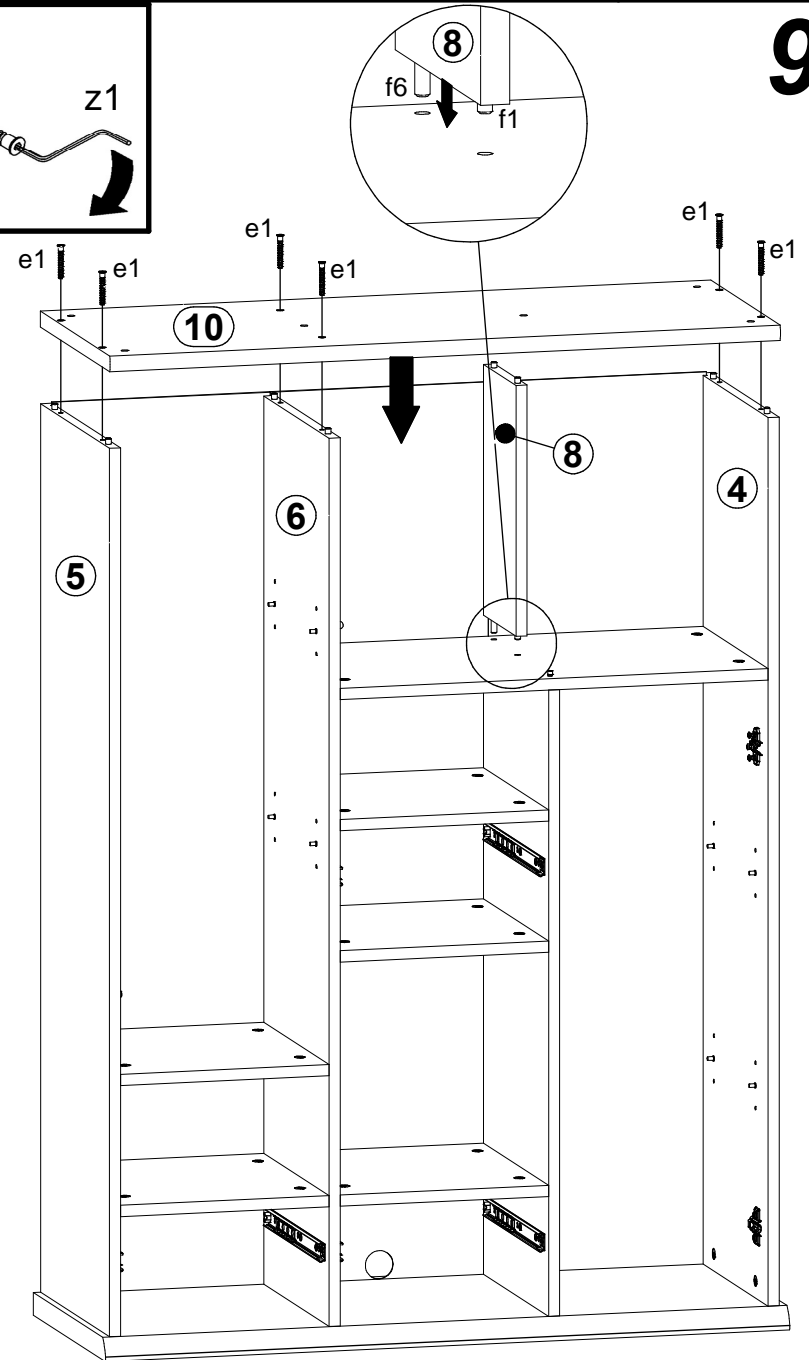
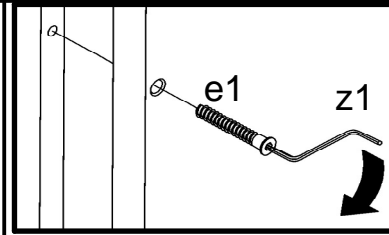
7

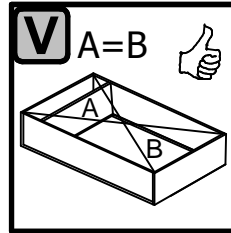
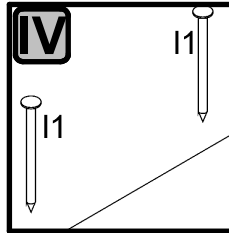
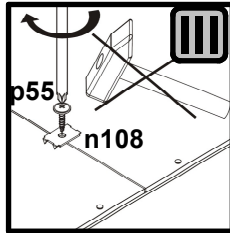
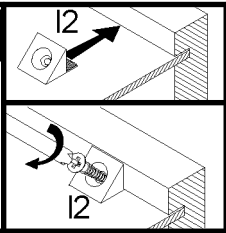
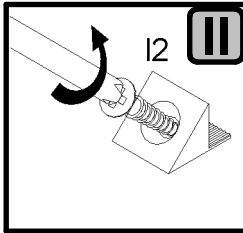
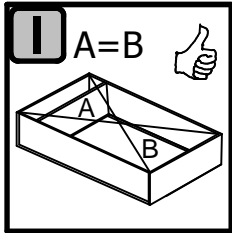


8

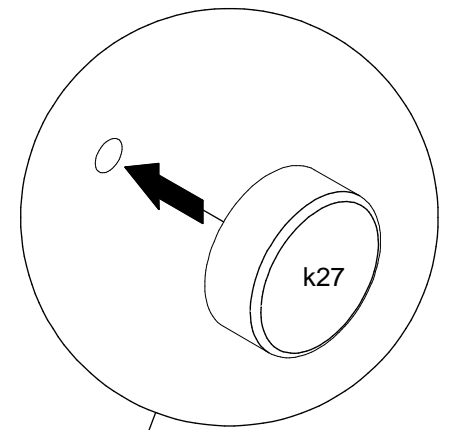
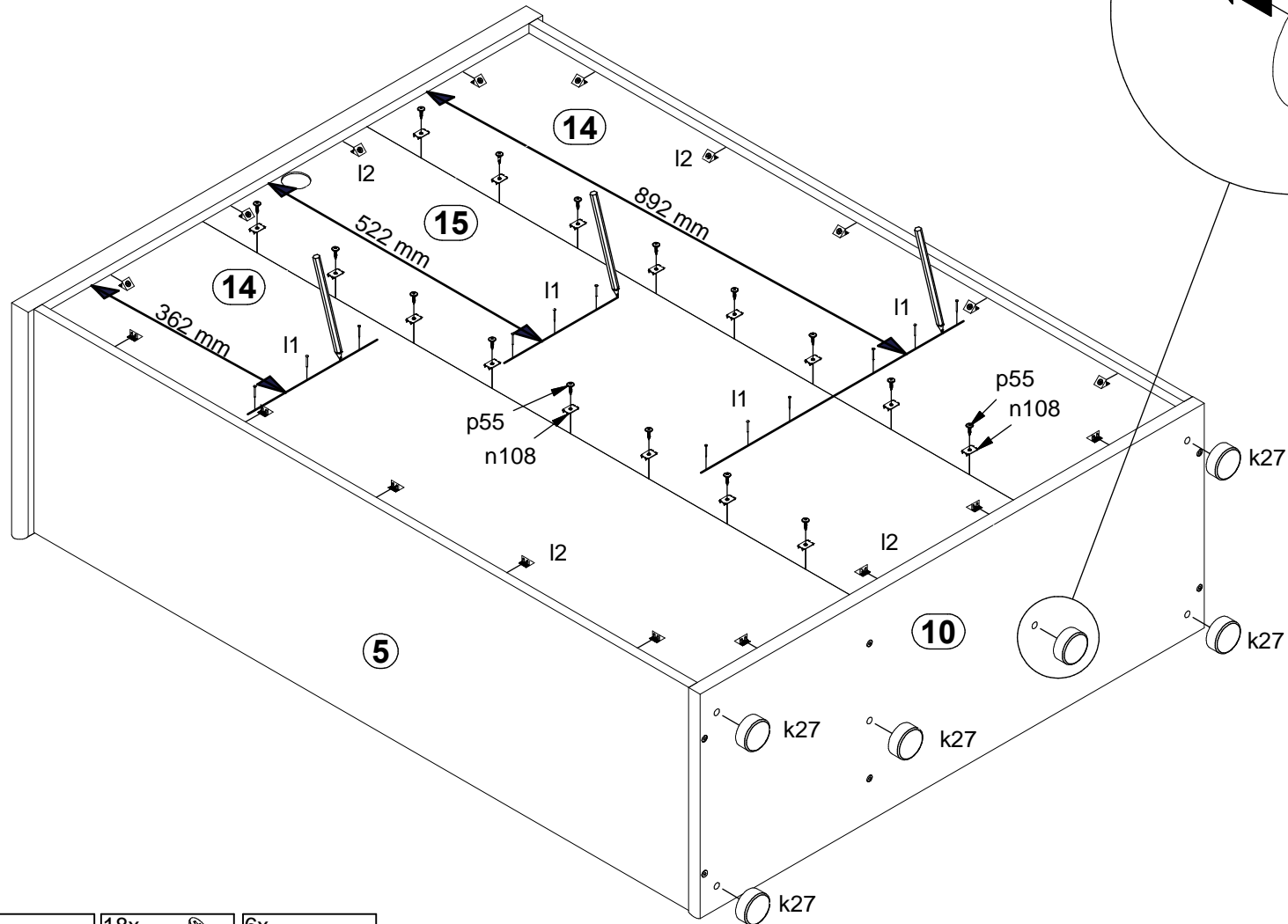
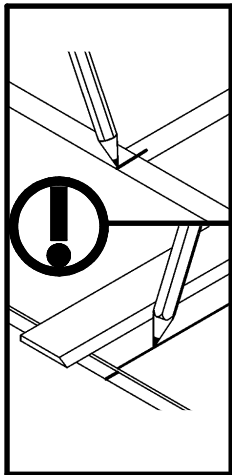


9

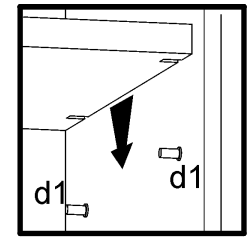
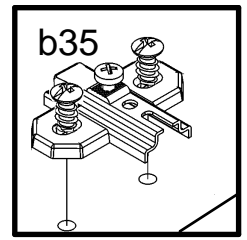
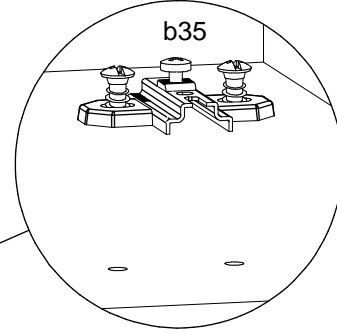
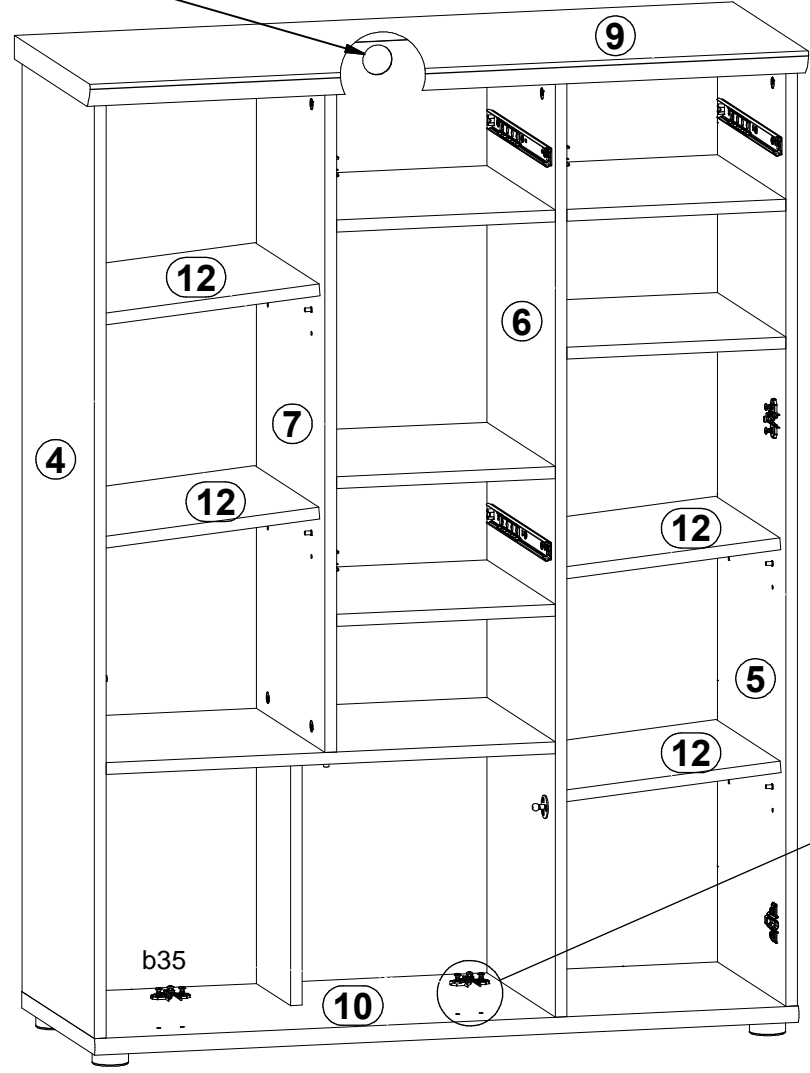
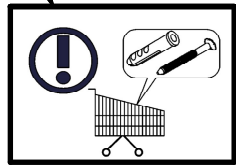
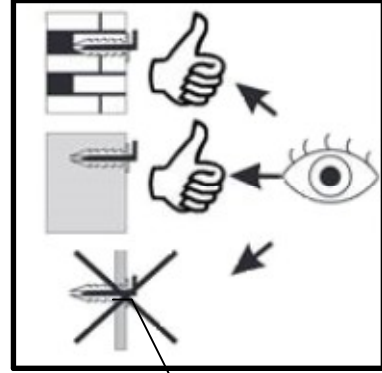
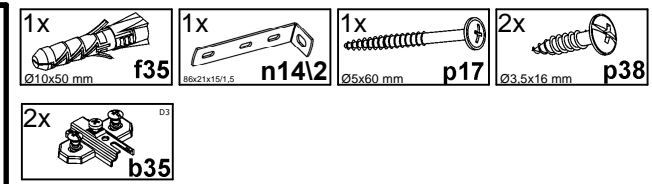
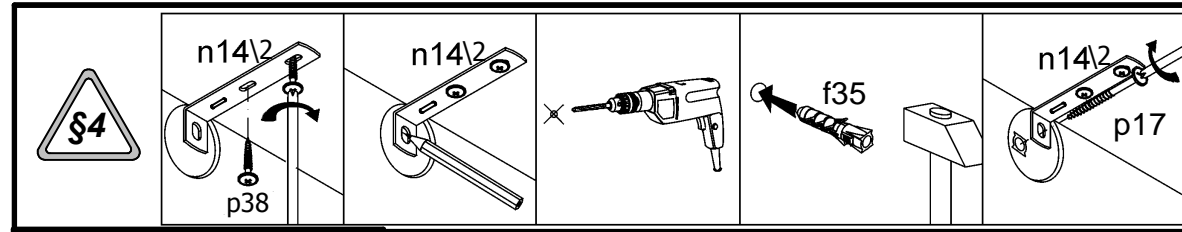




10



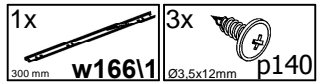
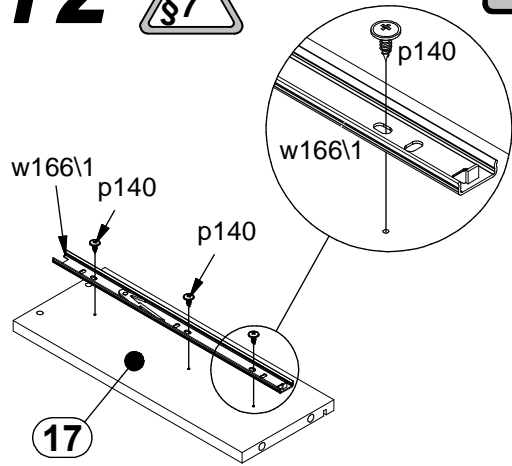
- 16x p55
- 16x n108
- 12x I1
- 18x I2
- 6x k27



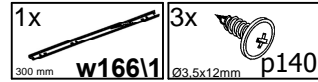
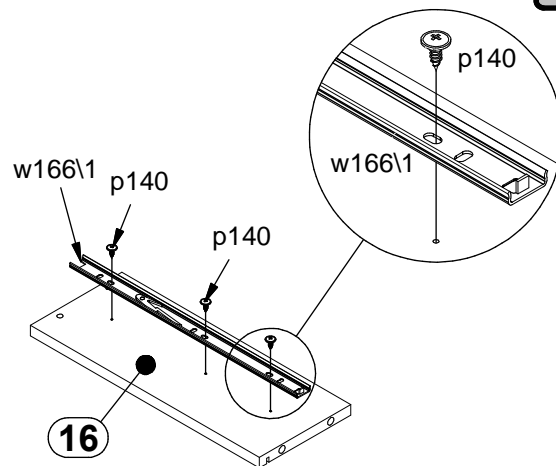
12



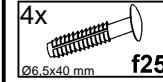
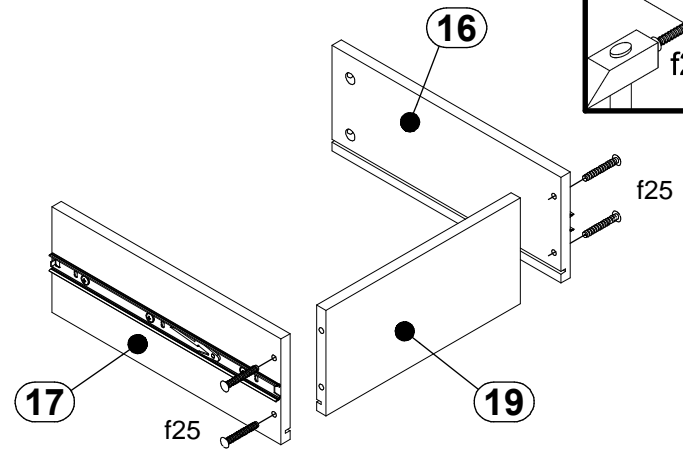
I



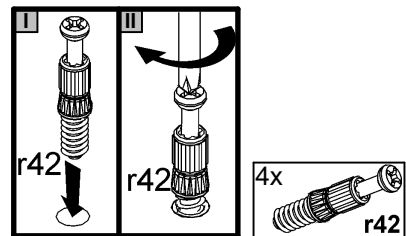
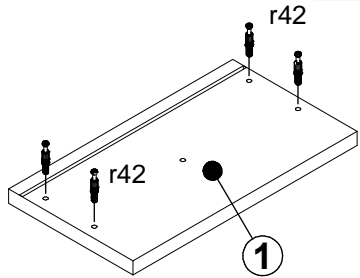
II



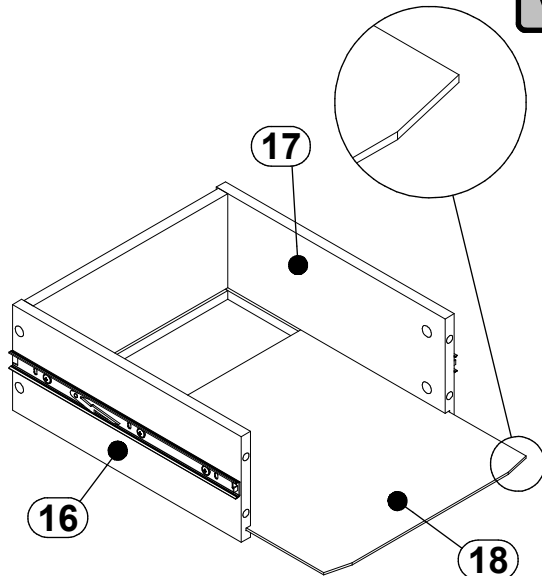
III



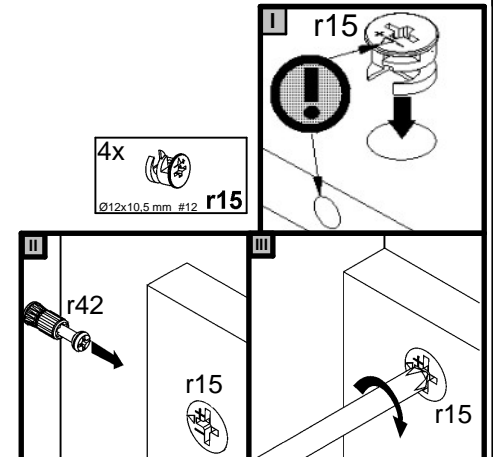
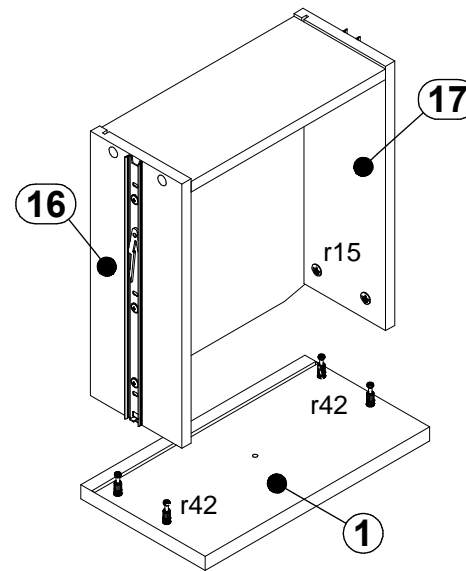
IV



V



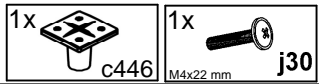
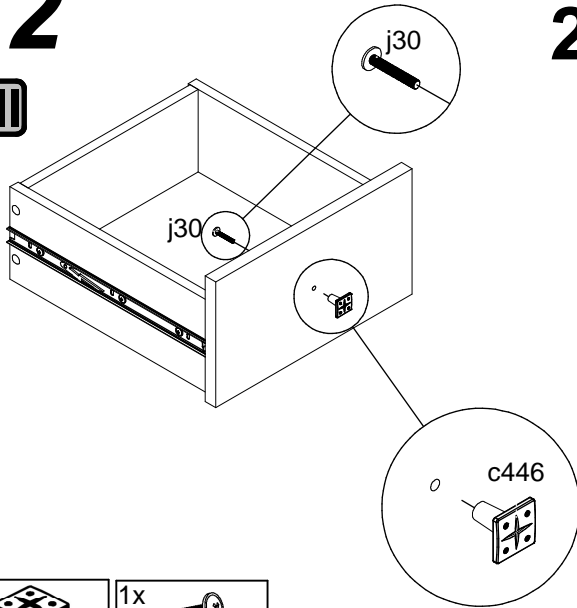
VI



12

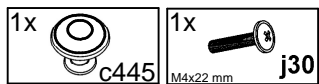
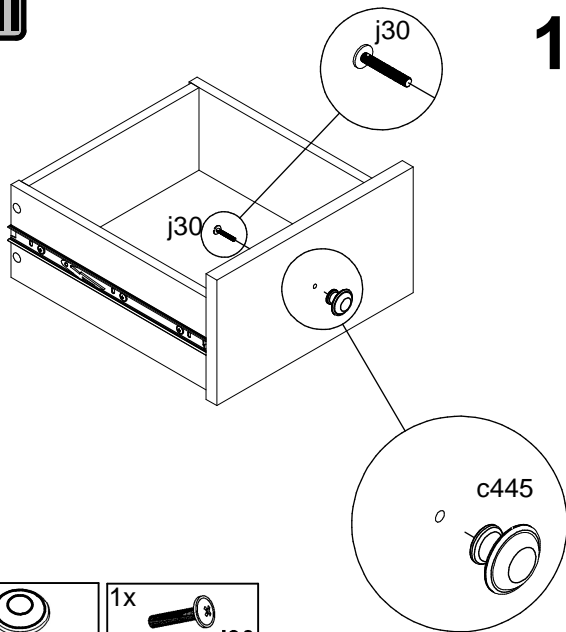
VII

2x

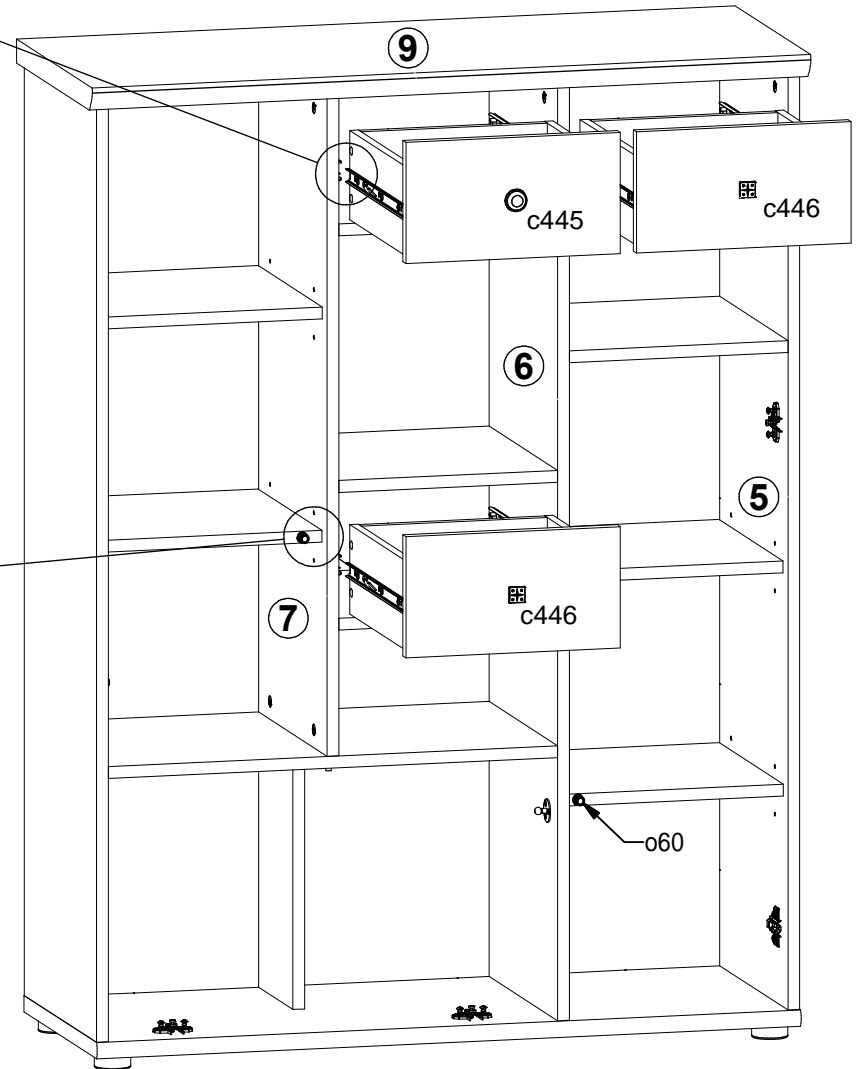
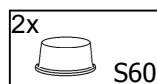
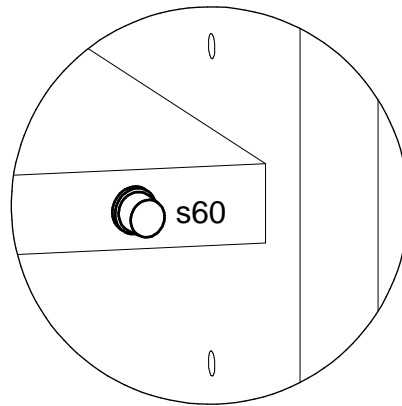
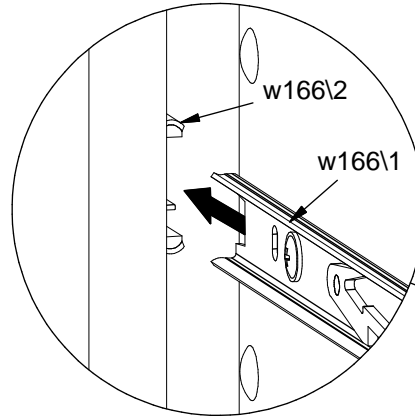


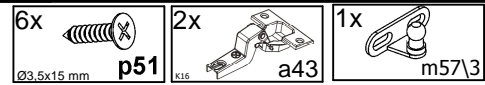
VII

1x

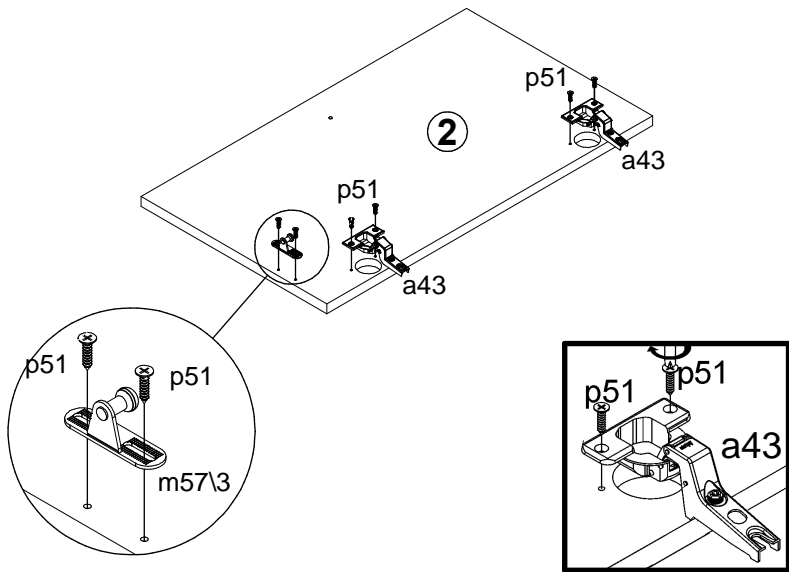


13

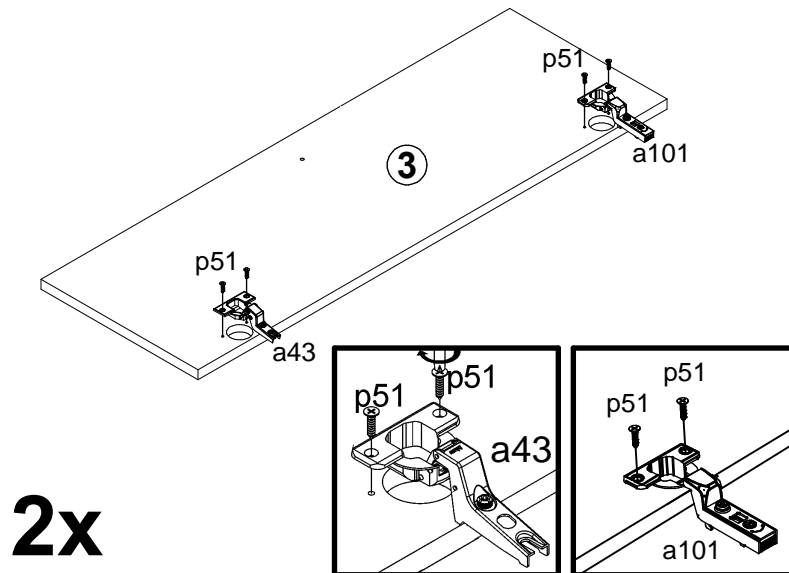
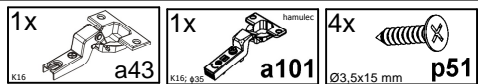
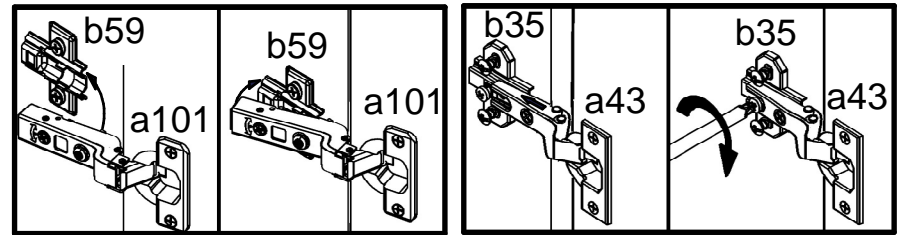




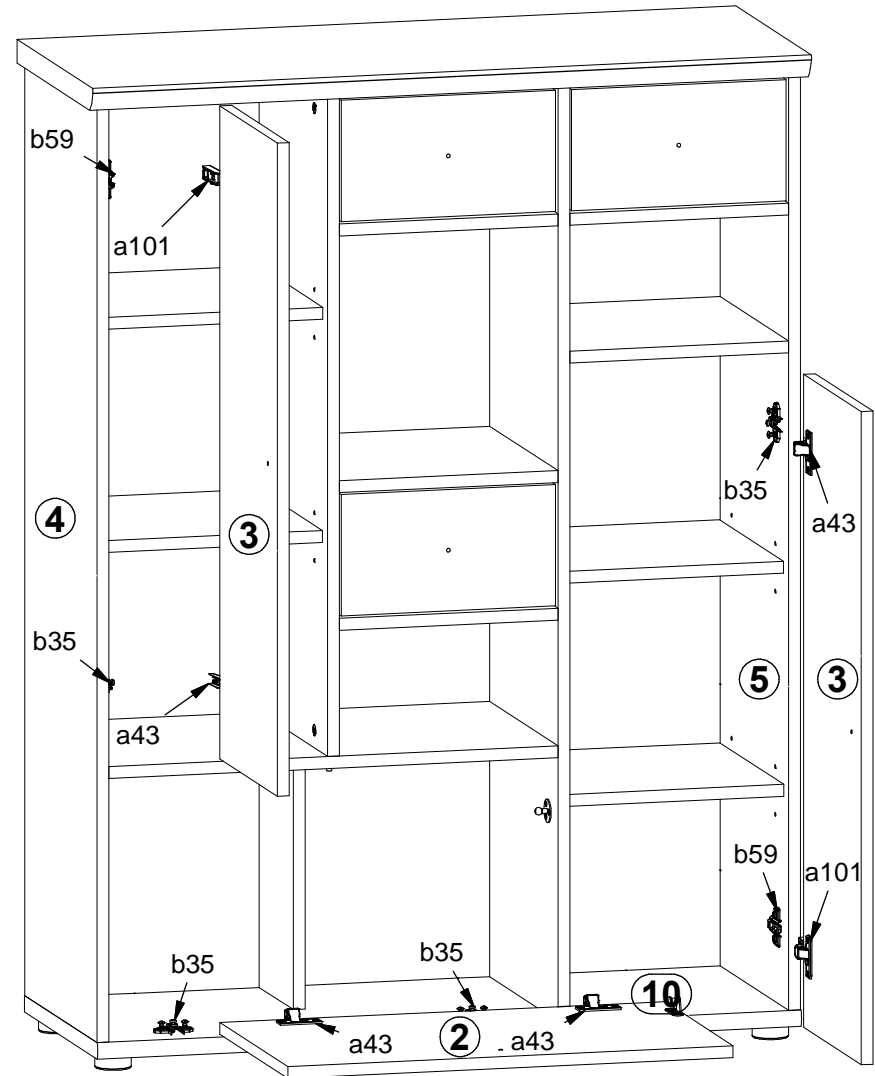
14



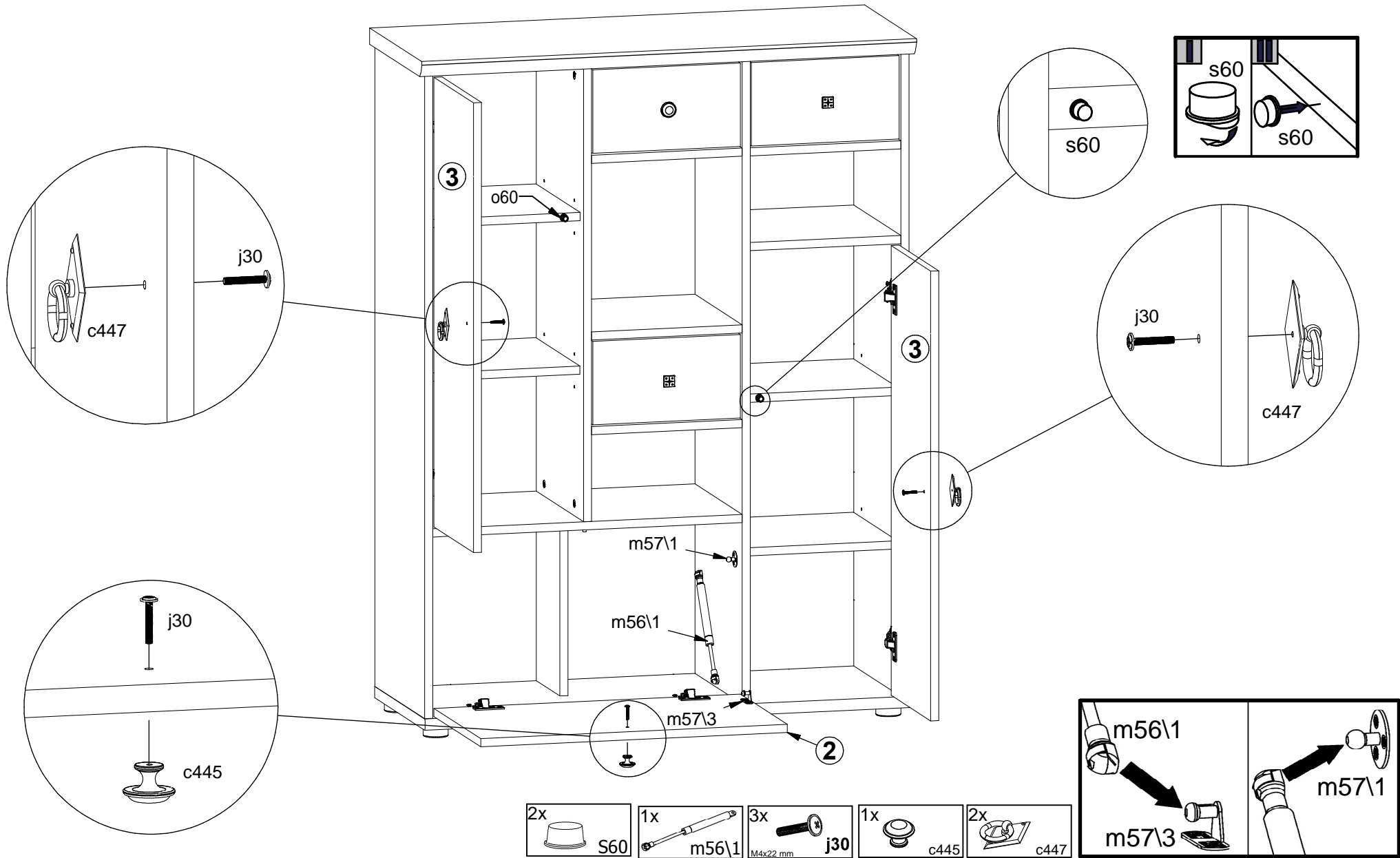
15



2x



16



17

