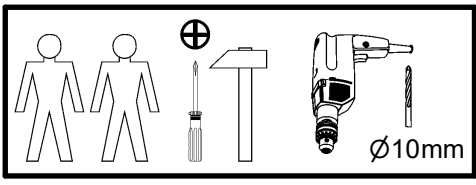
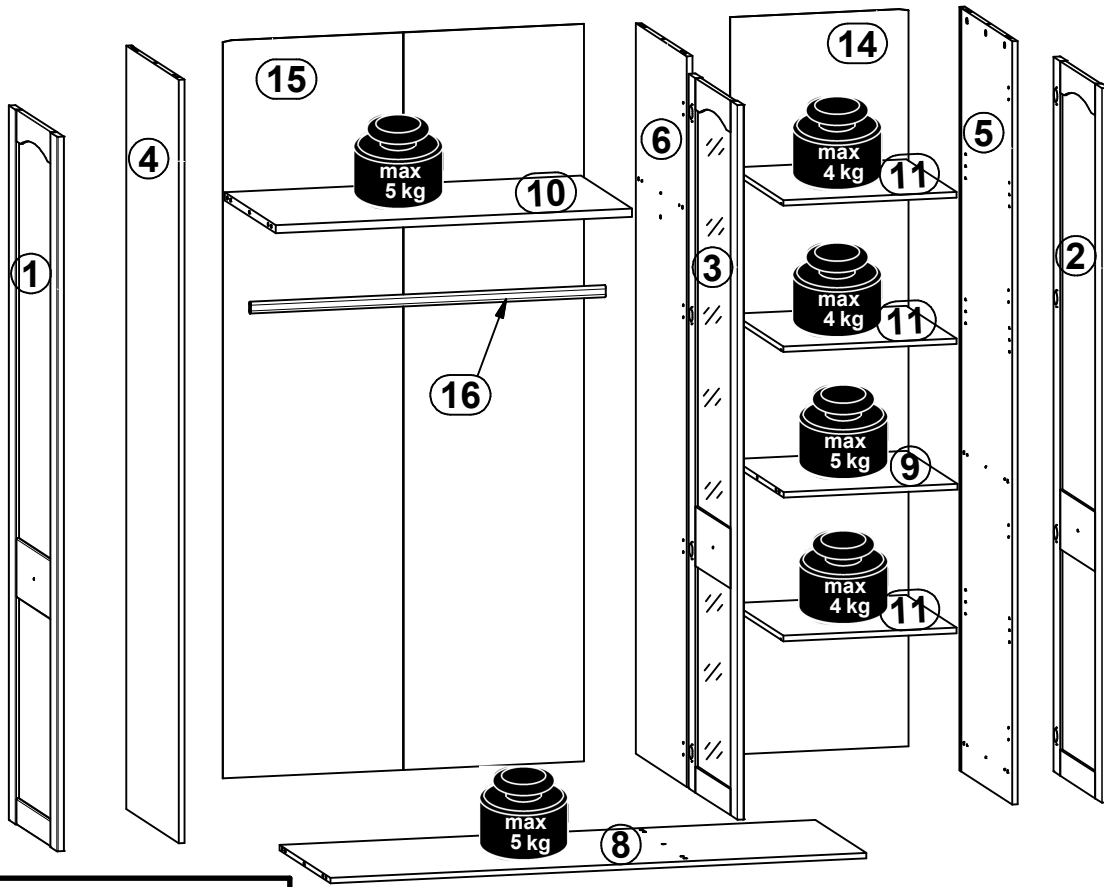
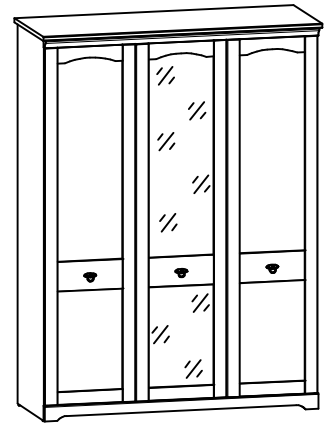
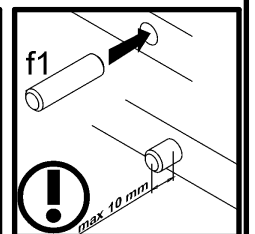
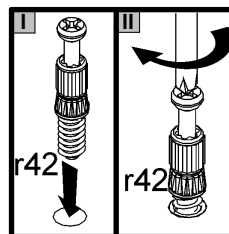
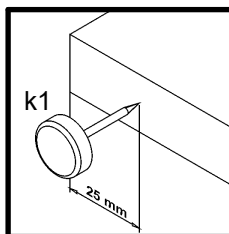
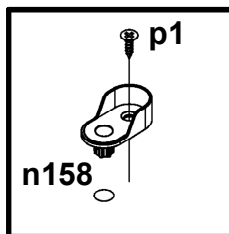
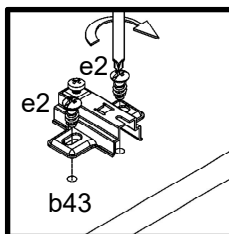
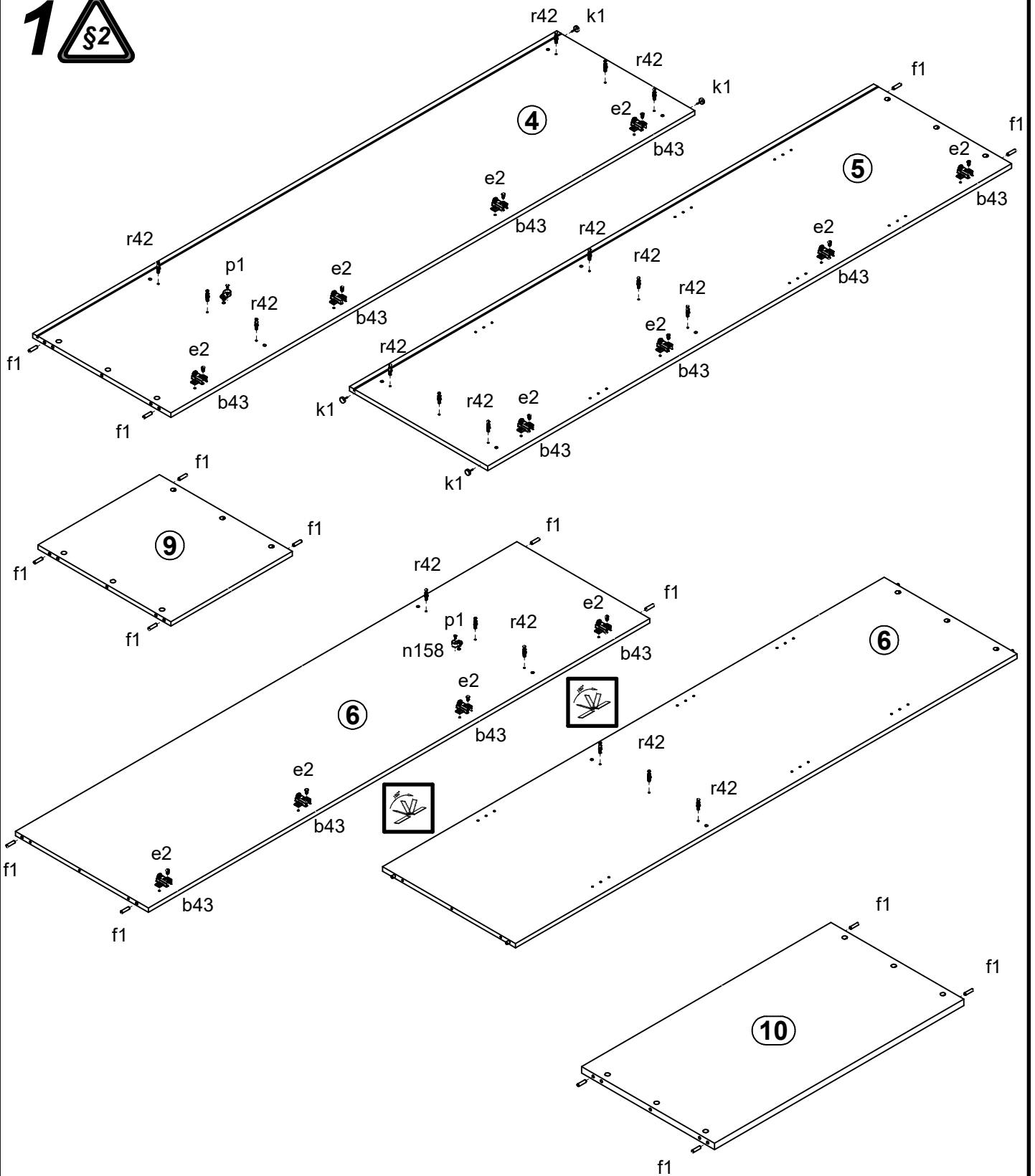


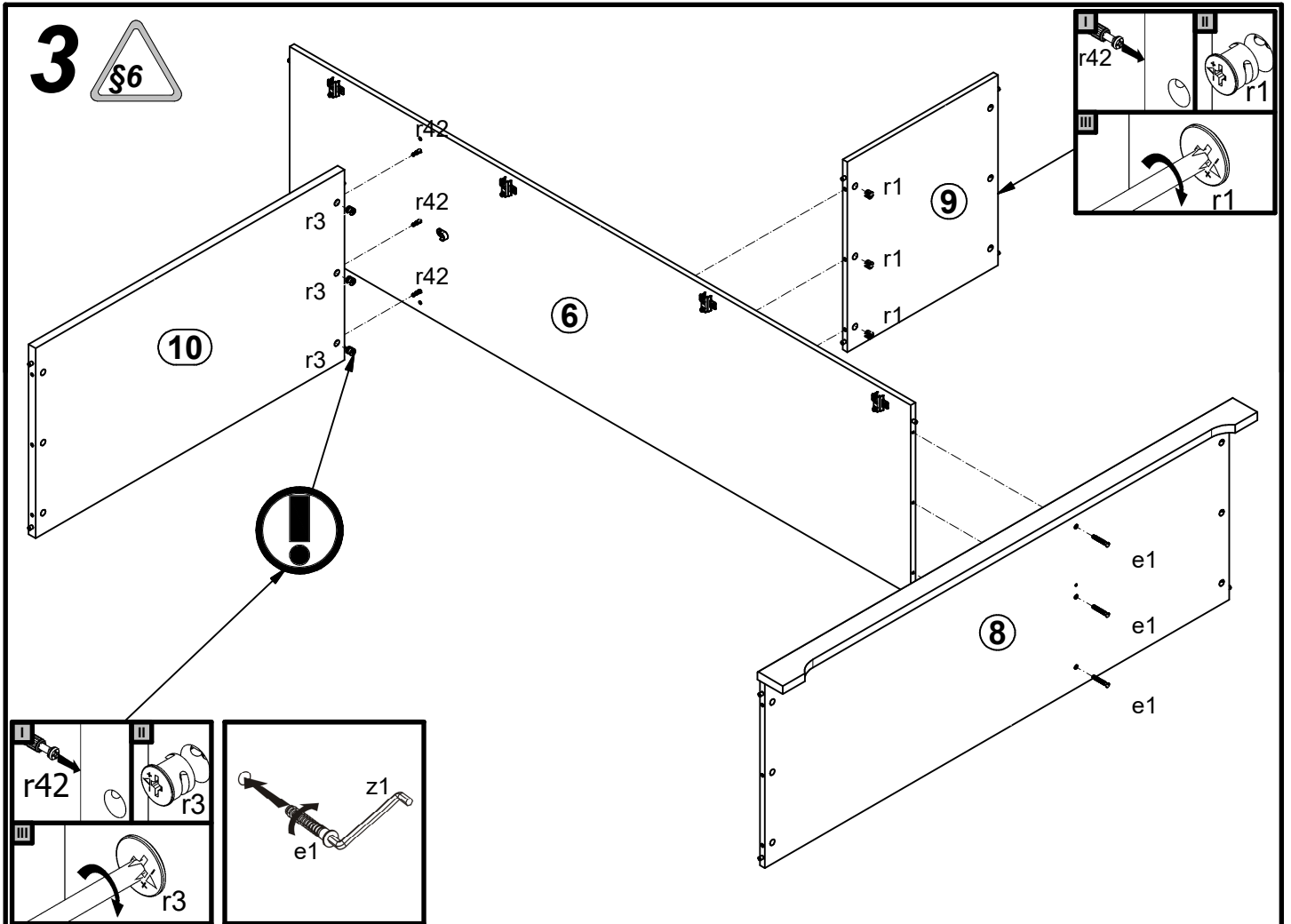
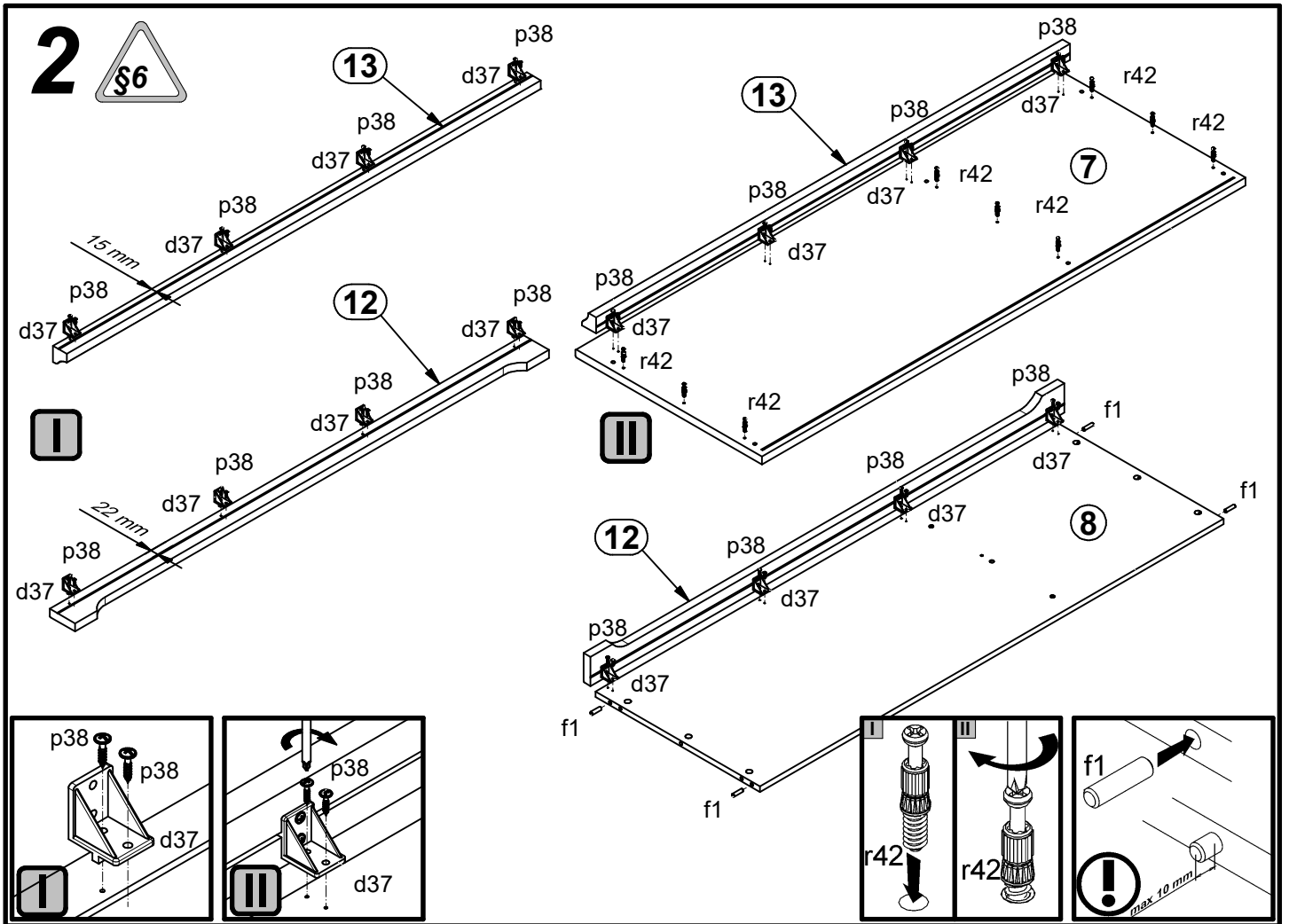
A	B	C	D
1	S405-0021	1919,	496
2	S405-0022	1919,	496
3	S405-0023	1919,	496
4	S405-1035	2050	540
5	S405-1036	2050	540
6	S405-1037	1962	520
7	S405-2009	1529	590
8	S405-3024	1467	520
9	S405-3025	476	520
10	S405-3026	976	520
11	S405-3027	475	515
12	S405-5001	1499	80
13	S405-5002	1499	44
14	S405-9013	1981	488
15	S405-9309	1981	989
16	dr-972	972	30

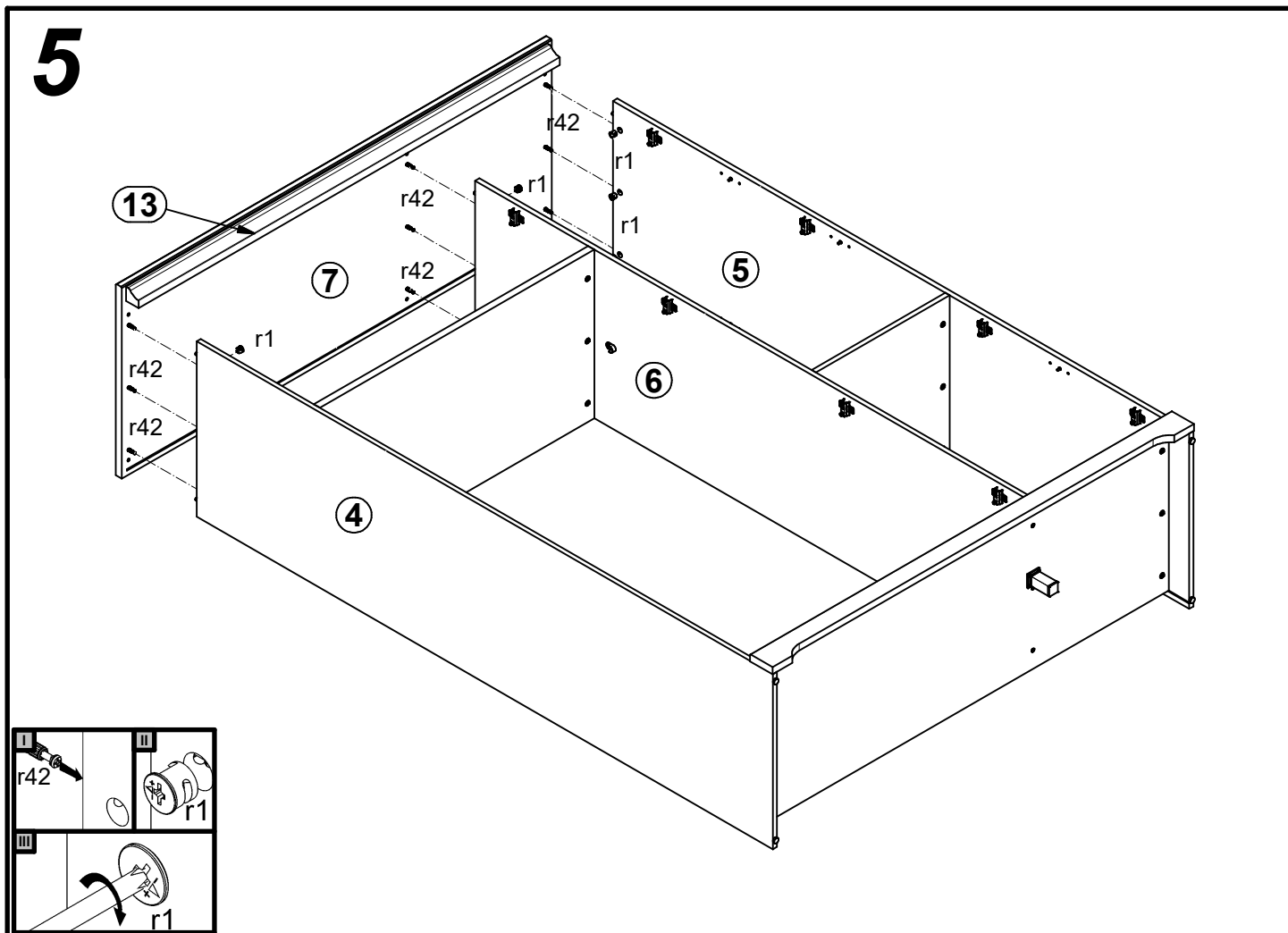
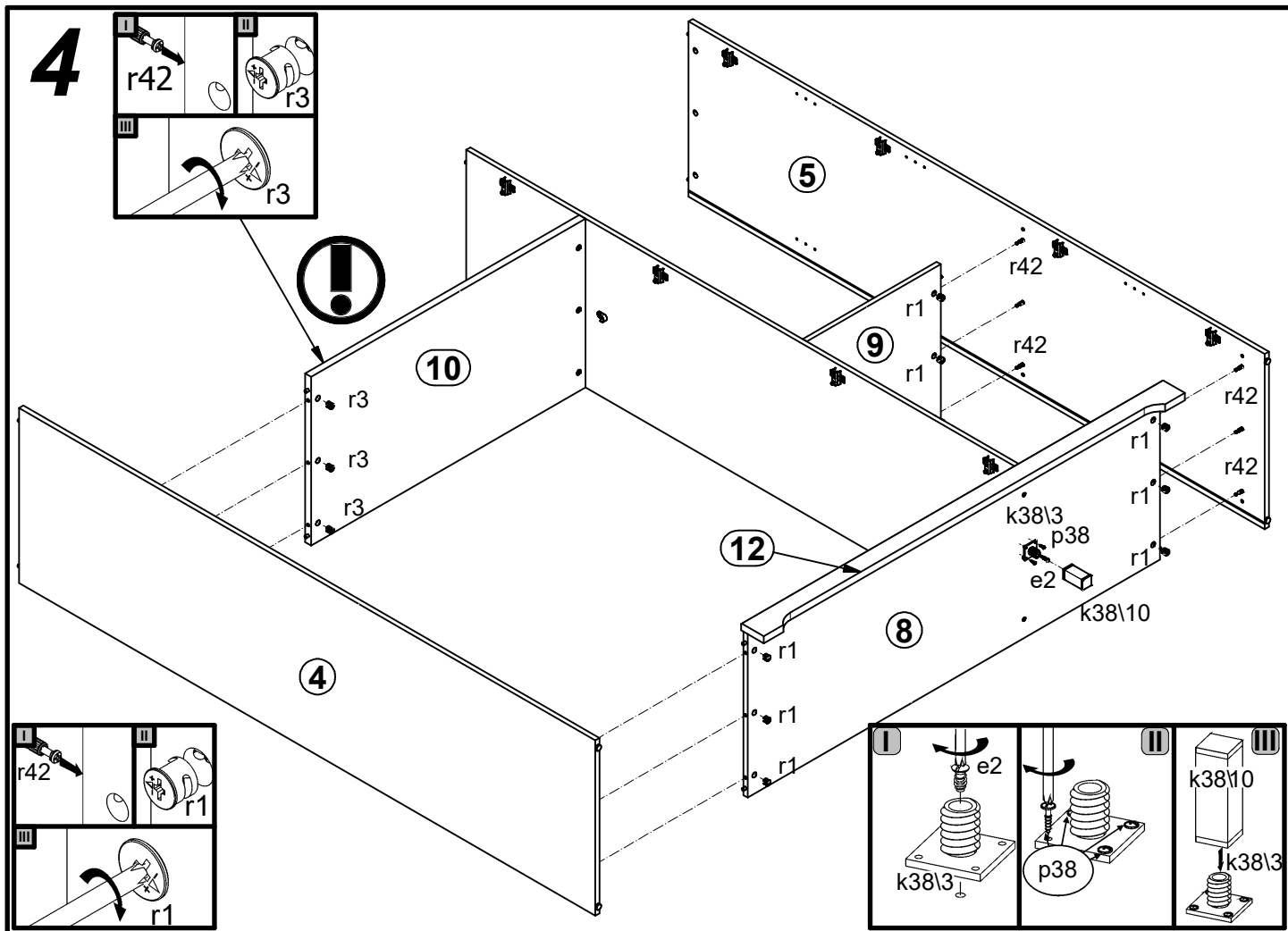


6x  a133	8x  a158	4x  a159	12x  b43	3x  c477/1	3x  c477/2	12x  d1	8x  d37	3x  e1
25x  e2	20x  f1	3x  j30	4x  k1	1x  k38/10	1x  k38/13	30x  l1	18x  l2	9x  n108
2x  n158	2x  p1	36x  p38	24x  p51	9x  p55	21x  r1	6x  r3	27x  r42	15x  s2
1x  z1							1x  n26/1	1x  p38

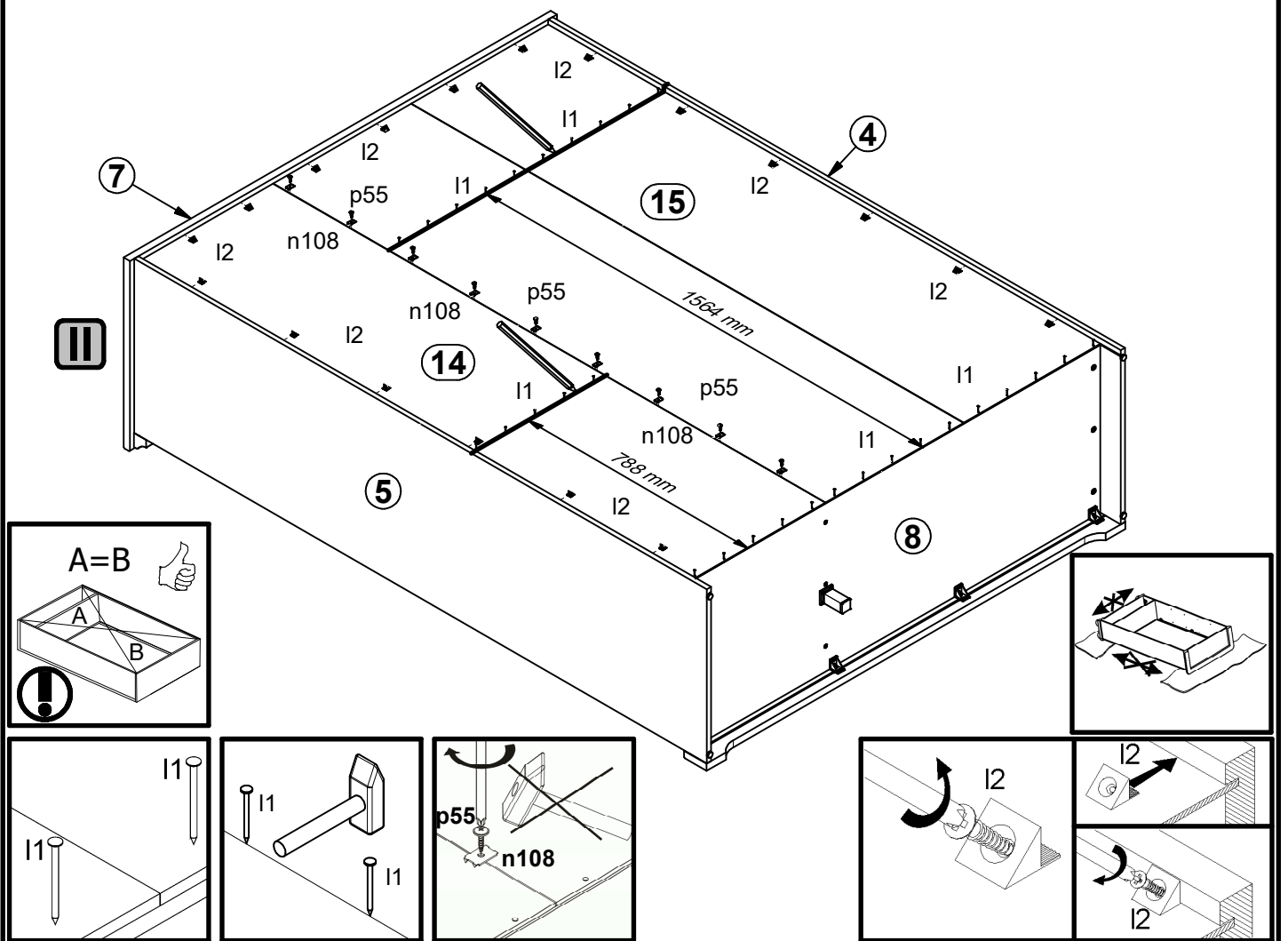
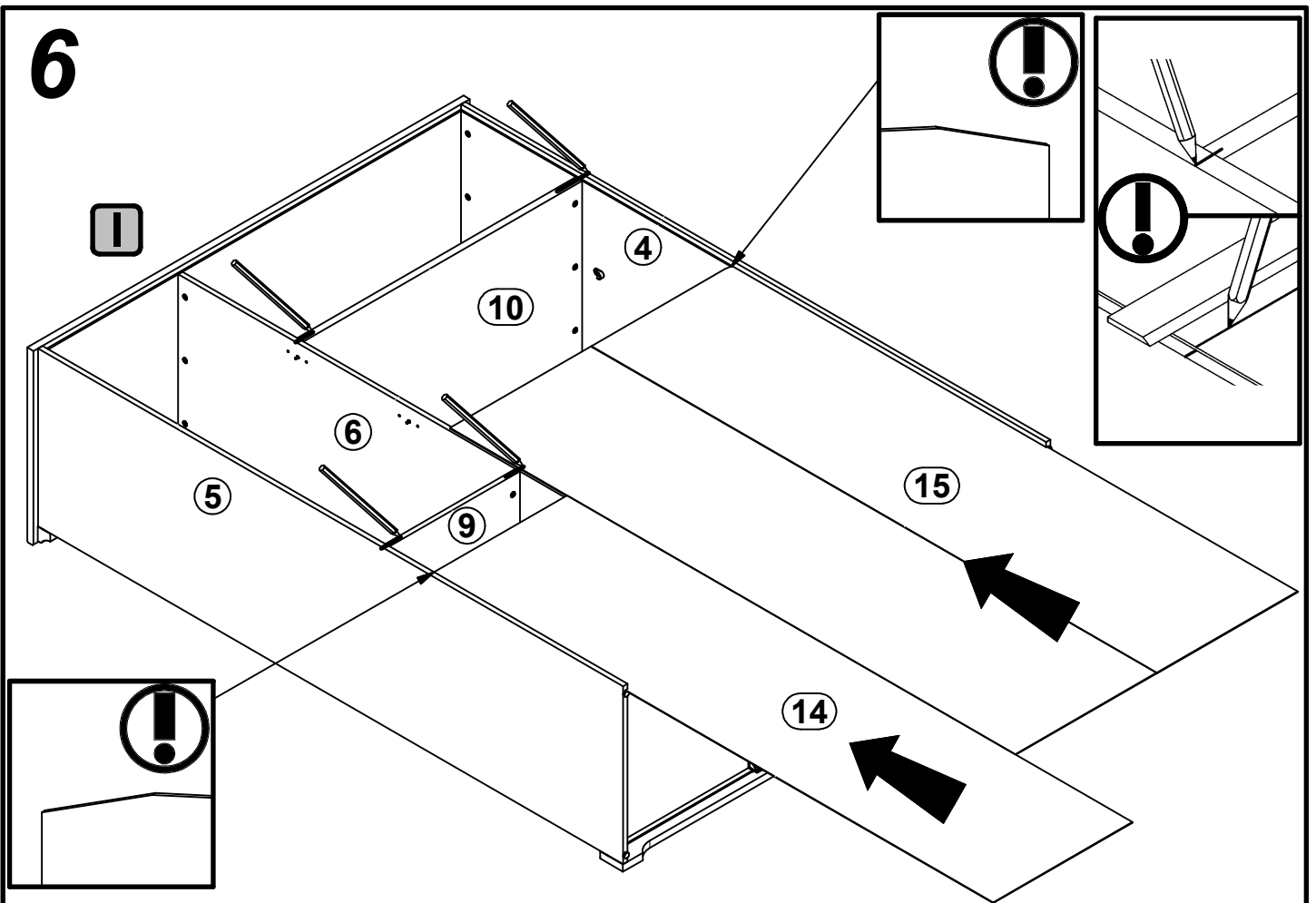
# 1



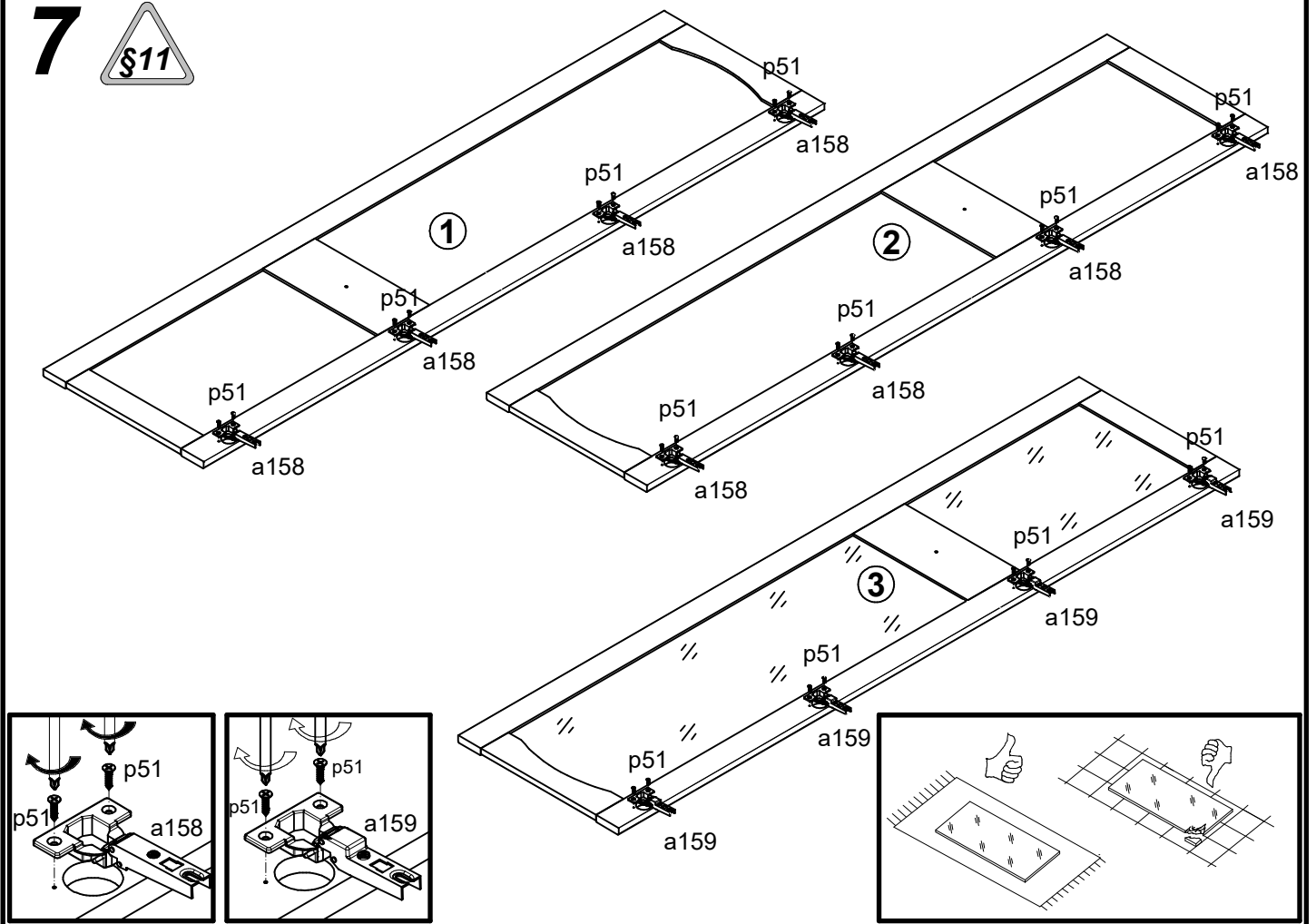




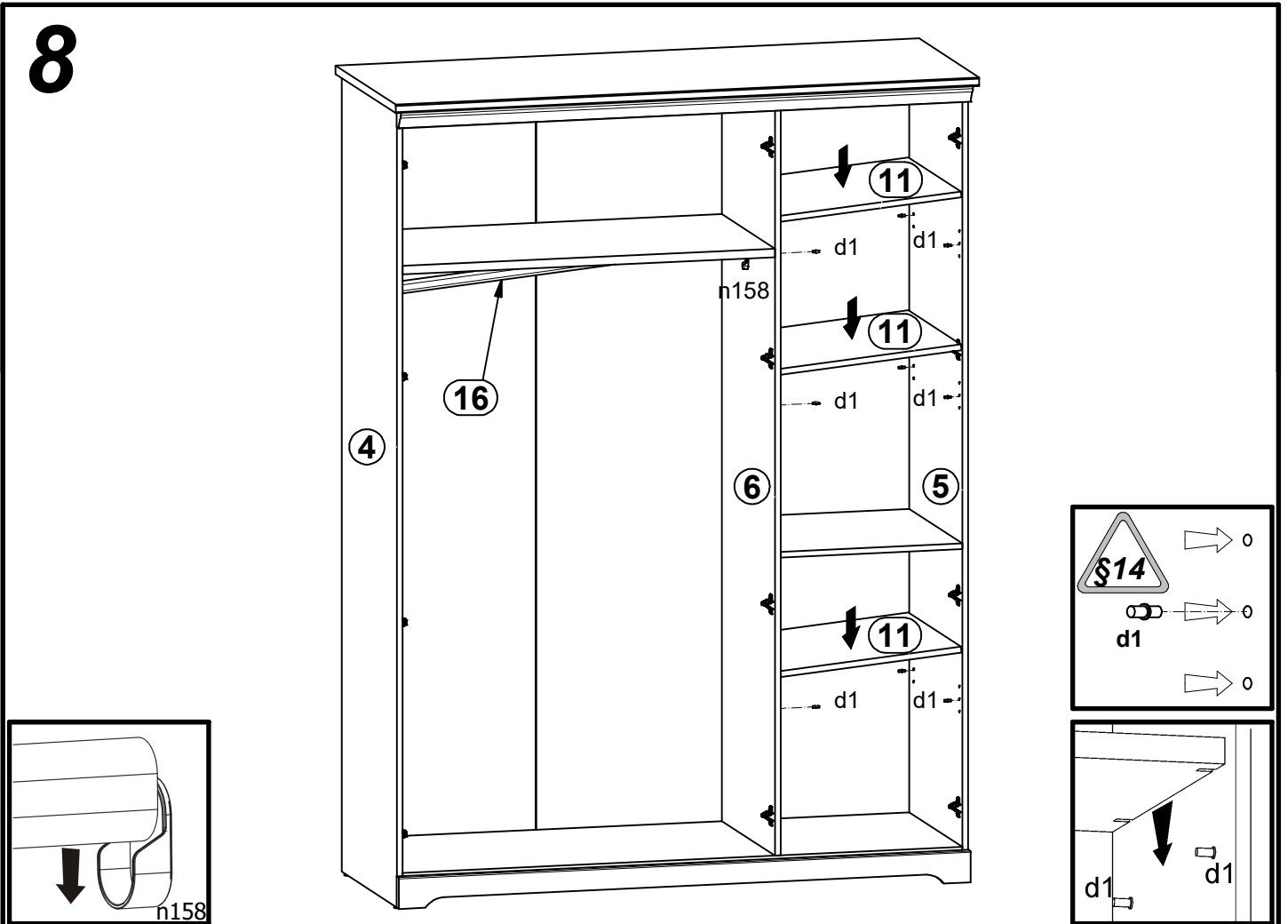
# 6



# 7



# 8



# 9

