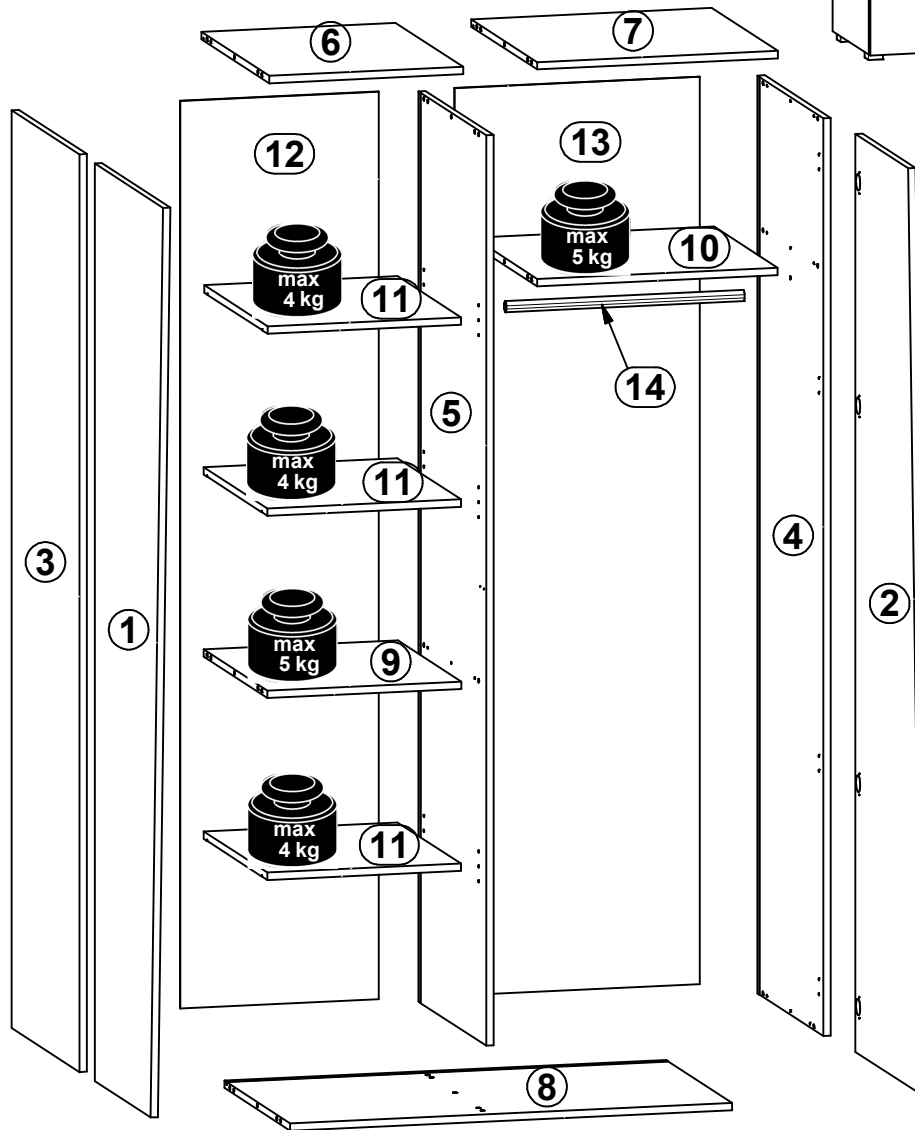
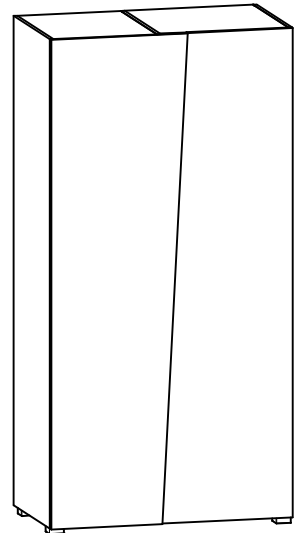
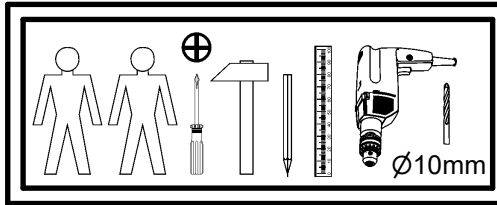


**A**

# RAUMA

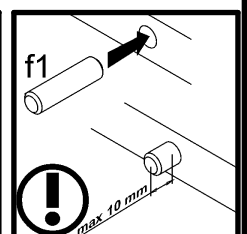
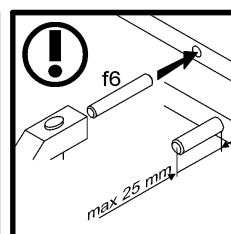
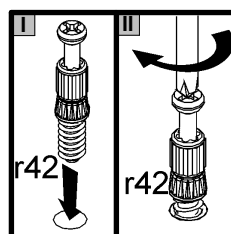
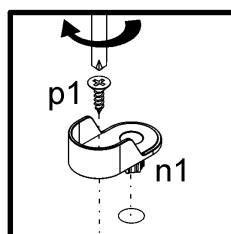
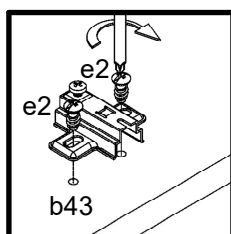
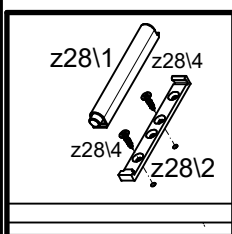
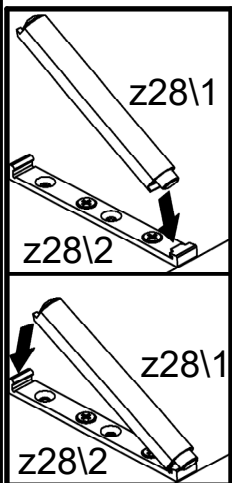
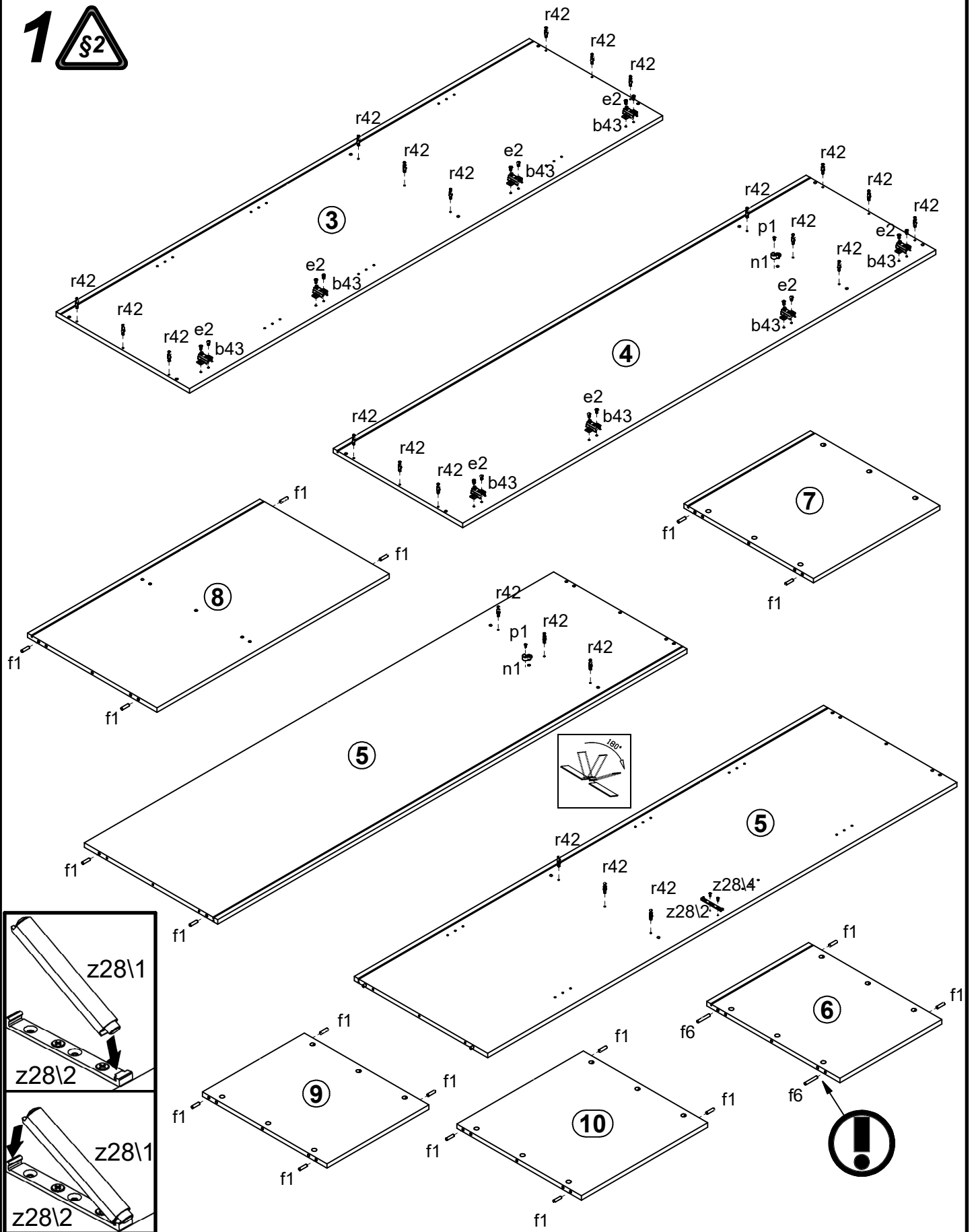
**S419-SZF2D**

A	B	C	D	
1	S419-0005	1972	560	3/3
2	S419-0006	1972	535	3/3
3	S419-1007	1972	556	2/3
4	S419-1008	1972	540	2/3
5	S419-1009	1956	556	3/3
6	S419-2002	425	555	1/3
7	S419-2003	527	540	1/3
8	S419-3006	968	540	1/3
9	S419-3007	425	519	1/3
10	S419-3008	527	519	1/3
11	S419-3009	424	519	1/3
12	S419-9002	1950	435	2/3
13	S419-9003	1950	537	2/3
14	dr-522	522	22	1/3



1x  a133	8x  a158	8x  b43	12x  d1 Ø5x17 mm	3x  e1 Ø7x50 mm	16x  e2 Ø6,3x13 mm	18x  f1 Ø8x30 mm	2x  f6 Ø8x50 mm	1x  k53 Ø50x25 mm
4x  k55 60x60/25 mm	10x  l1 1,4x20 mm	24x  l2	2x  n1 h=22mm	2x  p1 Ø3,5x13 mm	8x  p6 Ø4x35 mm	1x  p36 Ø4x25 mm	16x  p51 Ø3,5x15 mm	30x  r1 Ø15x12 mm #16
3x  r10	24x  r42 20/11	1x  z28\1	1x  z28\2 82x9,5/6,5 mm	1x  z28\3 20x20/1,5 mm	3x  z28\4 Ø3x12mm	18x  s2 Ø16	1x  z1 4 mm	
							1x  n26	1x  p38 Ø3,5x16 mm

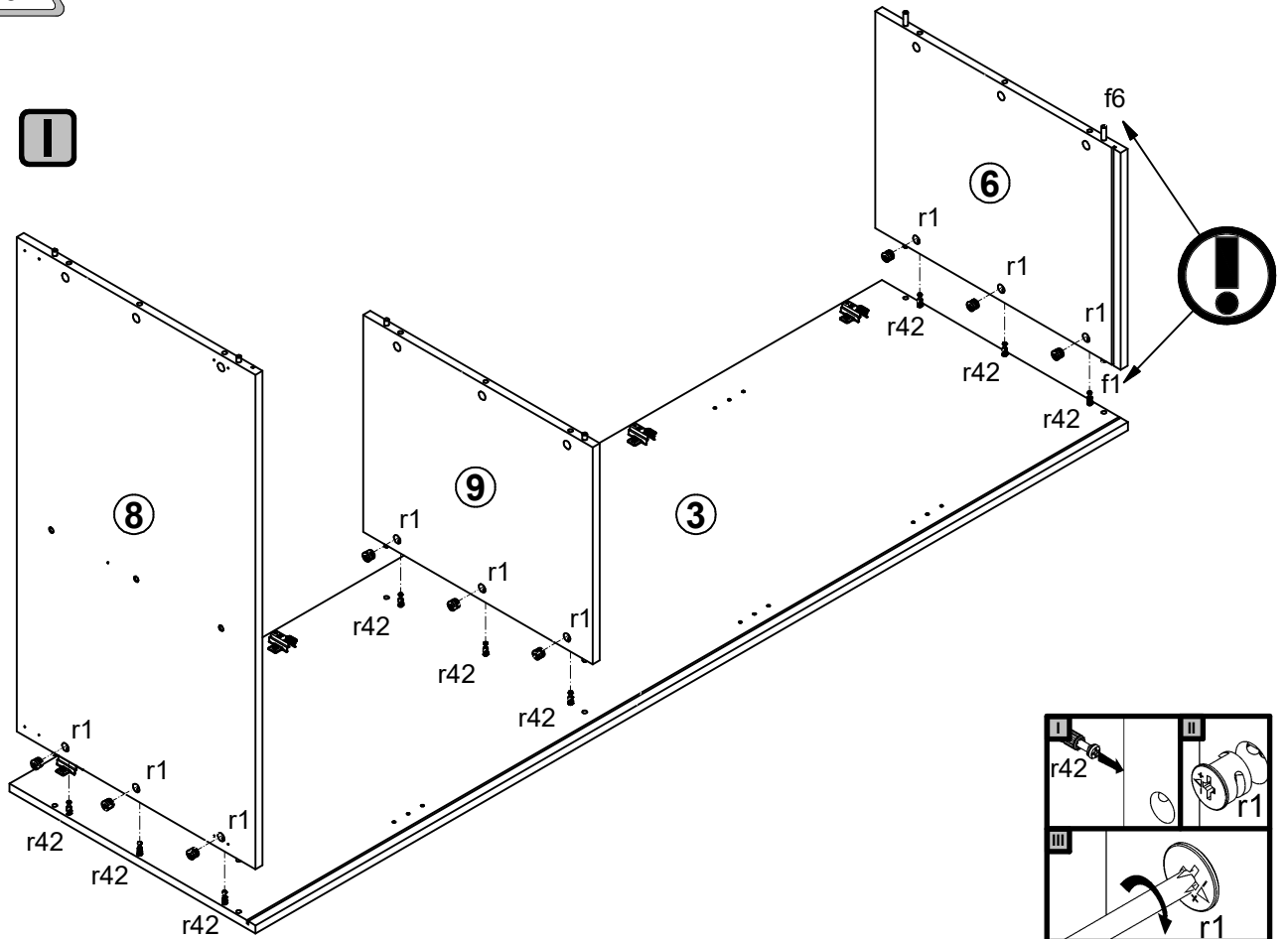
1 



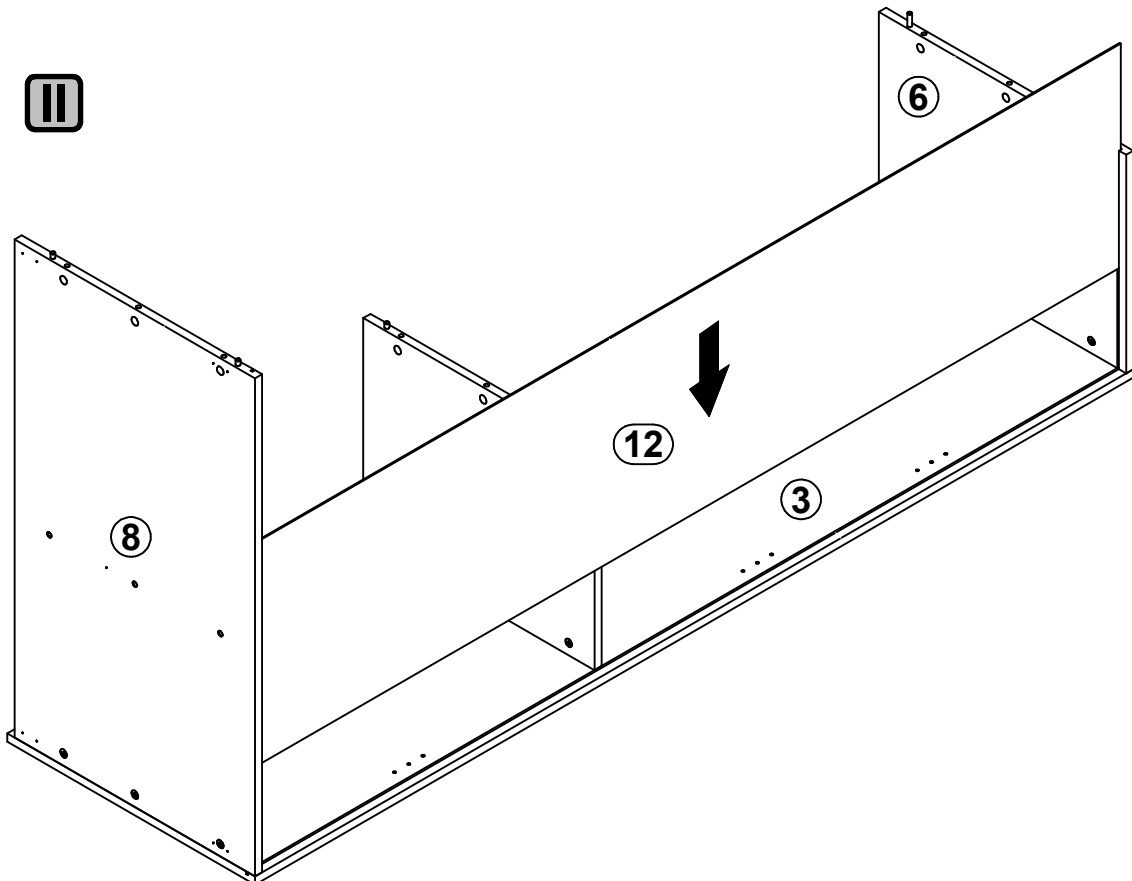
# 2



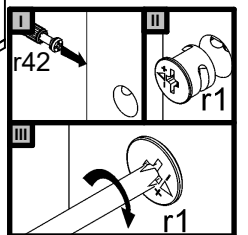
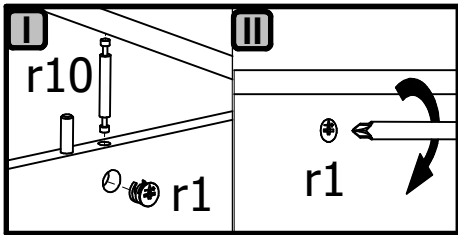
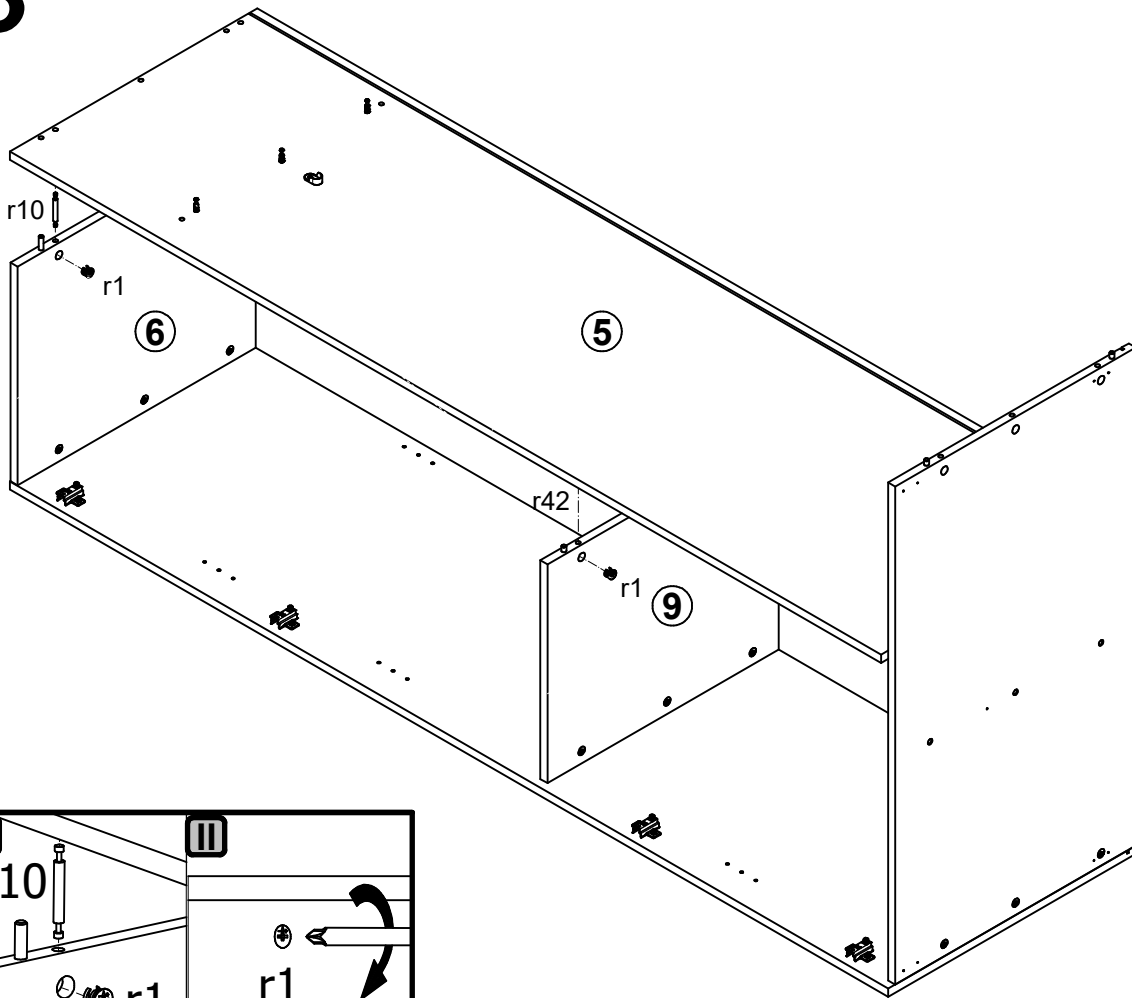
## I



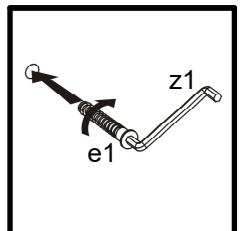
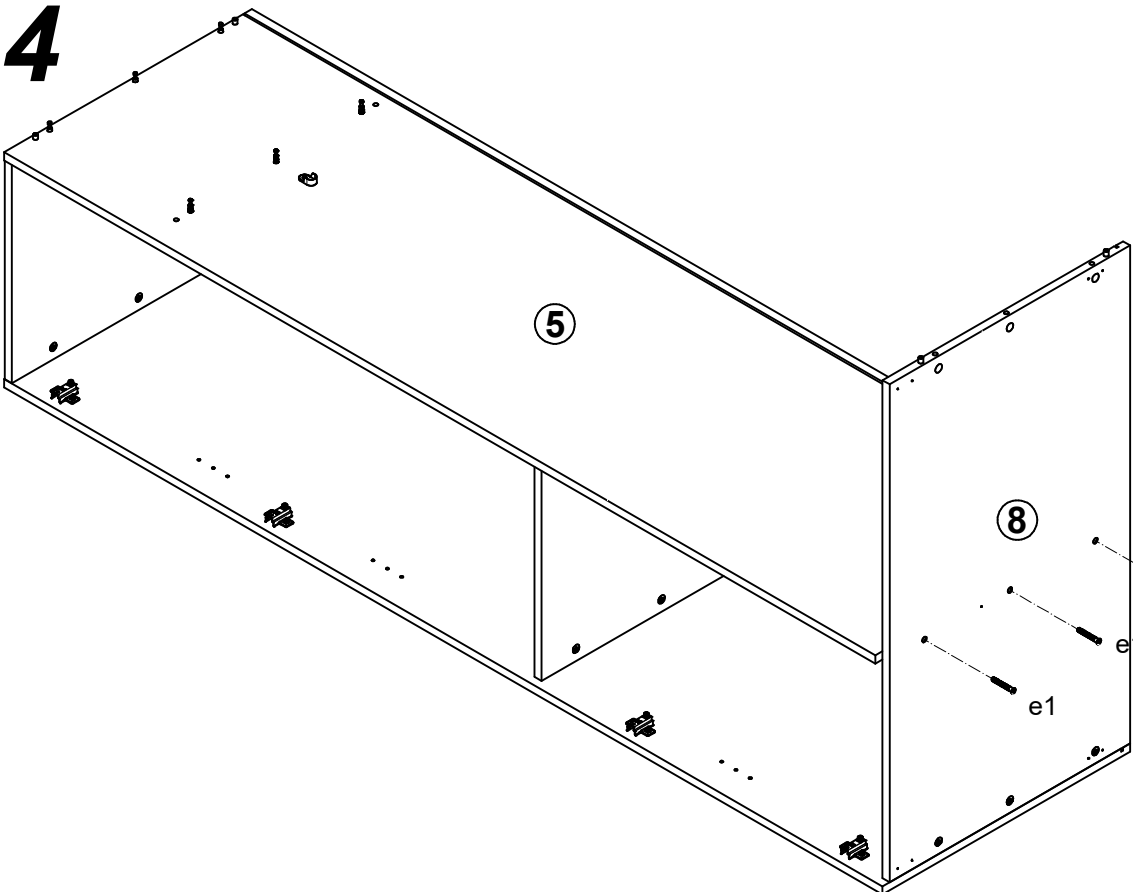
## II



# 3

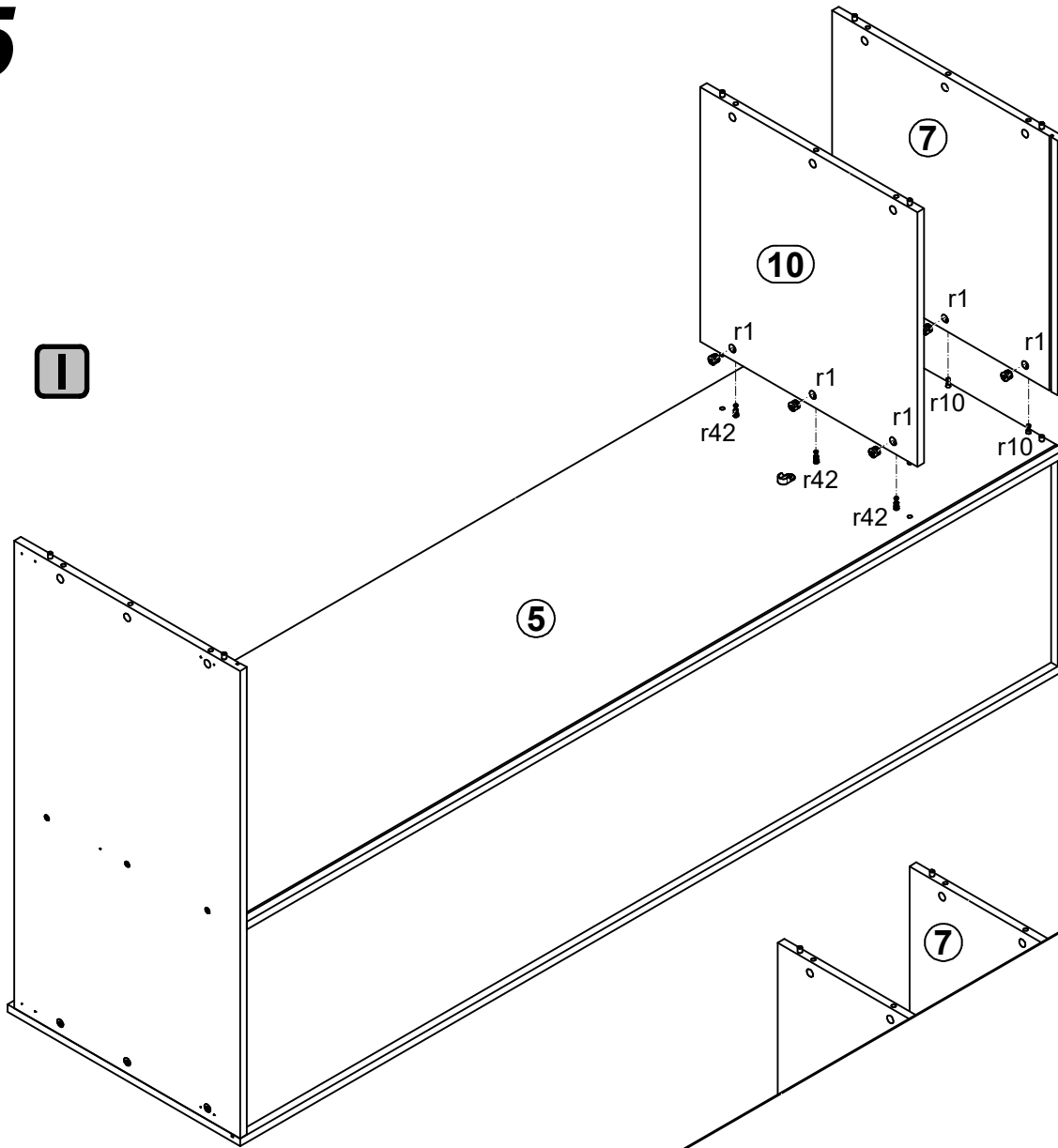


# 4

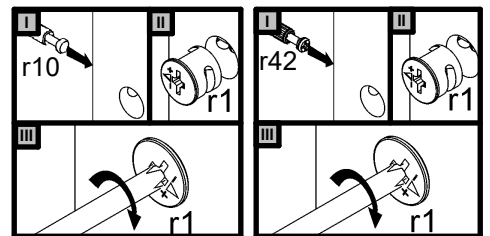
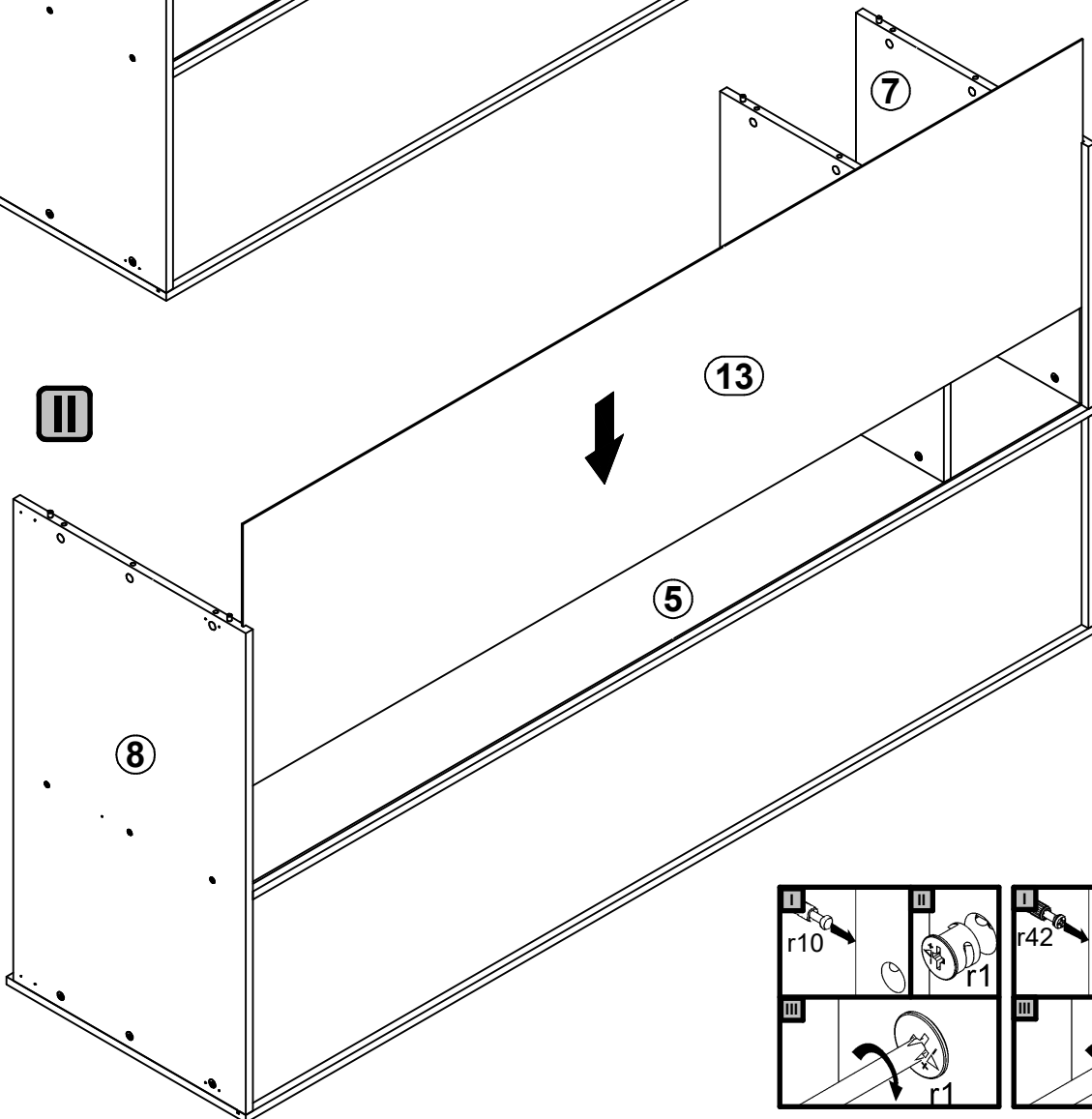


# 5

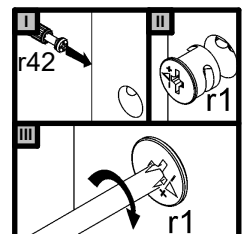
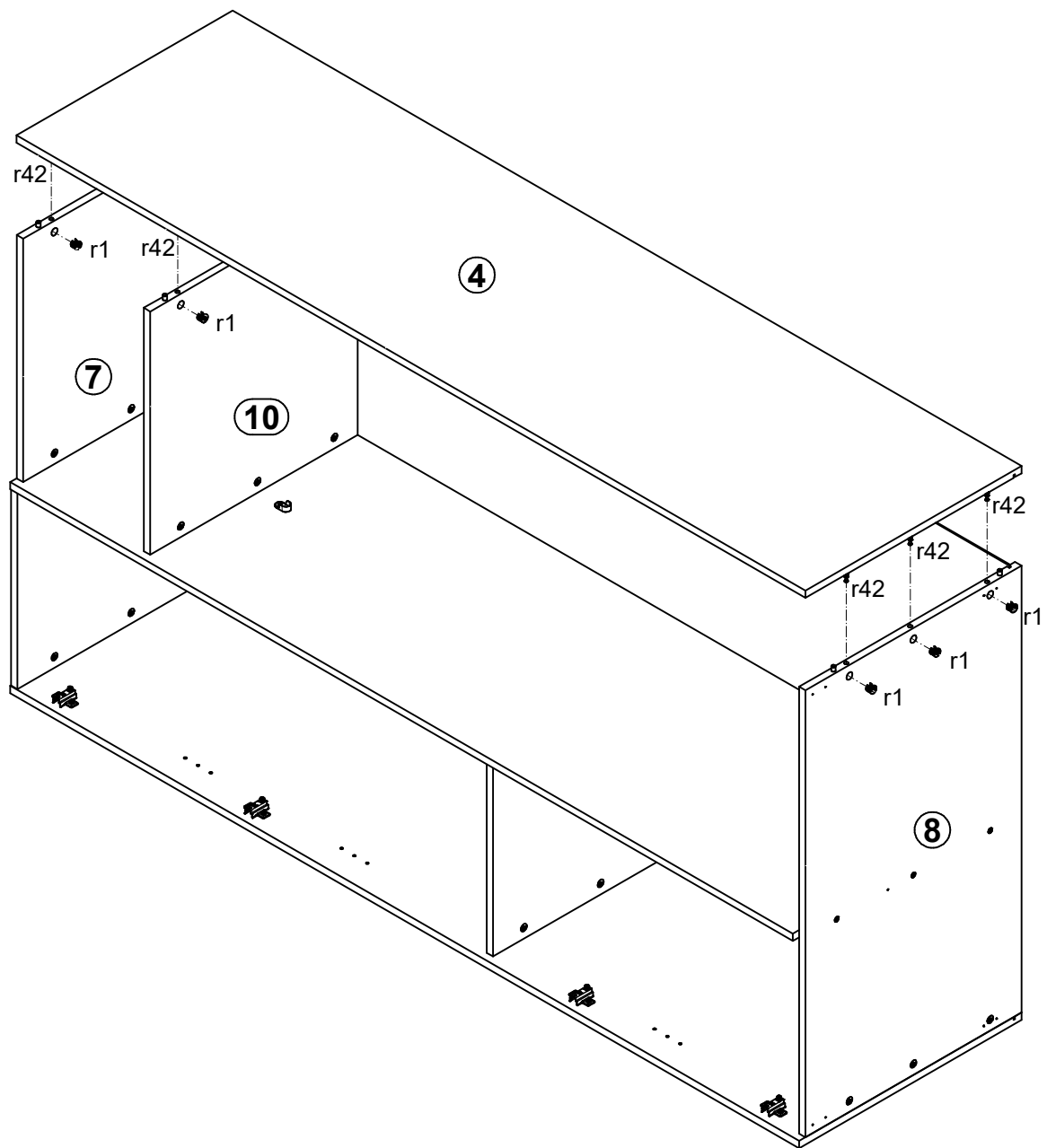
I



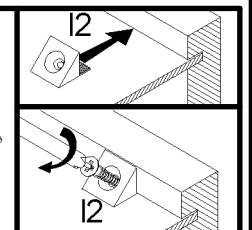
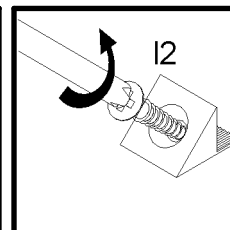
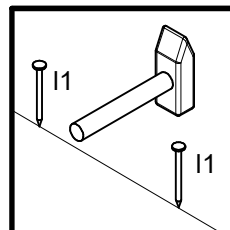
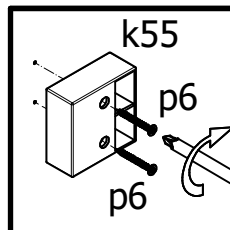
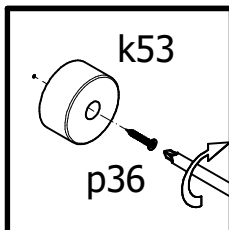
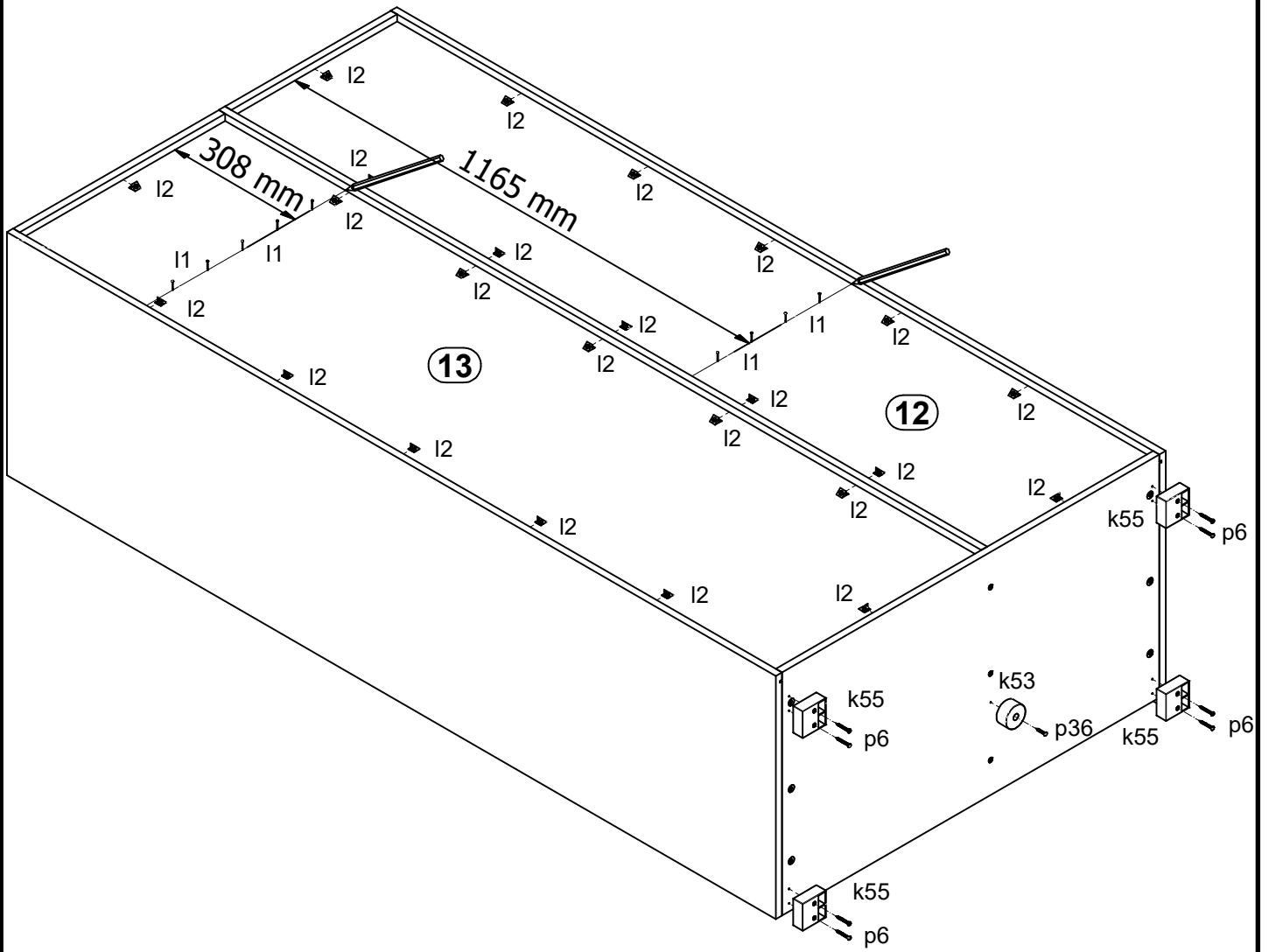
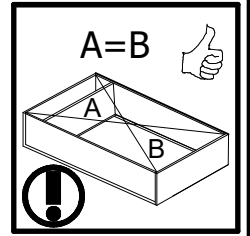
III

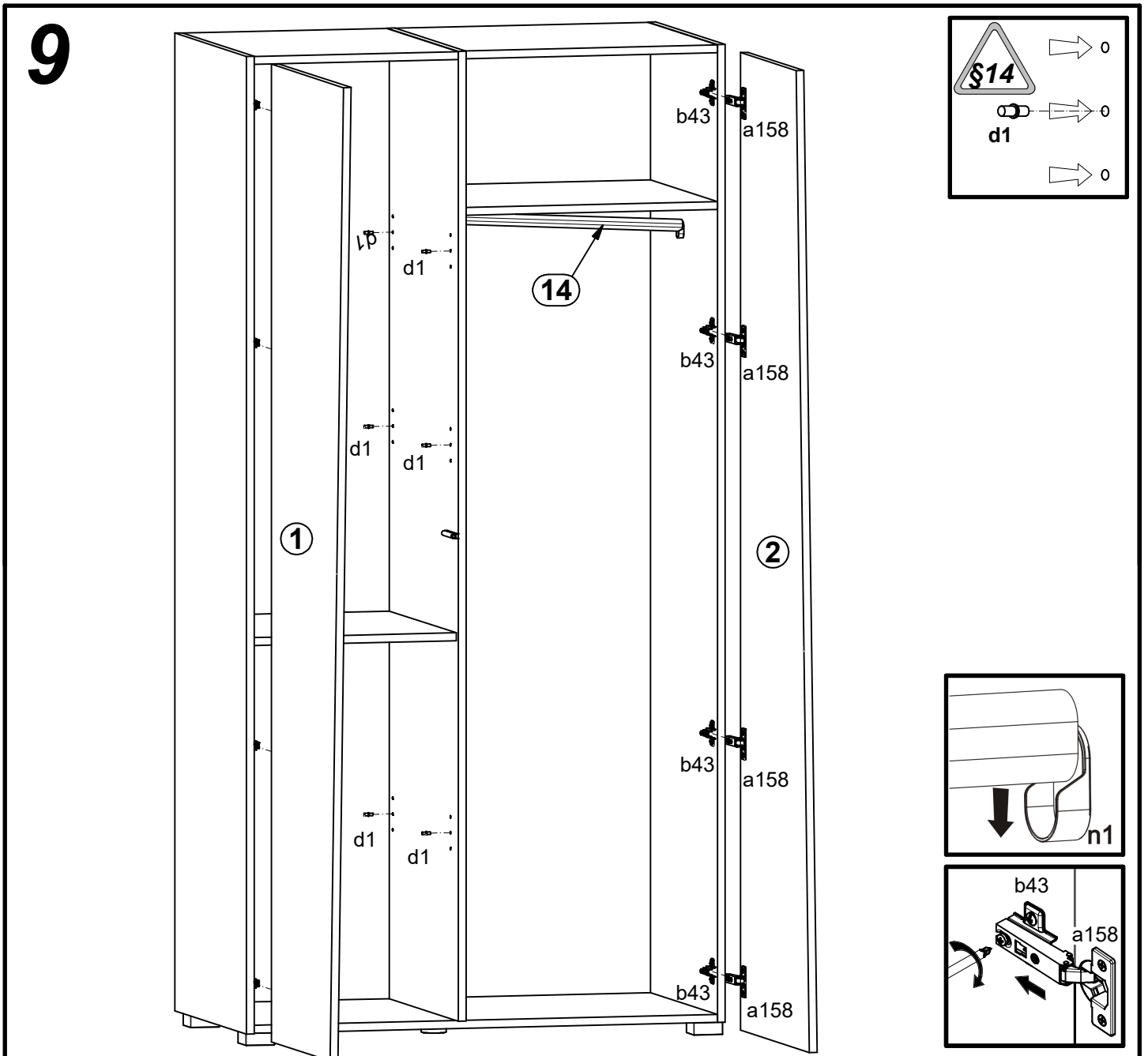
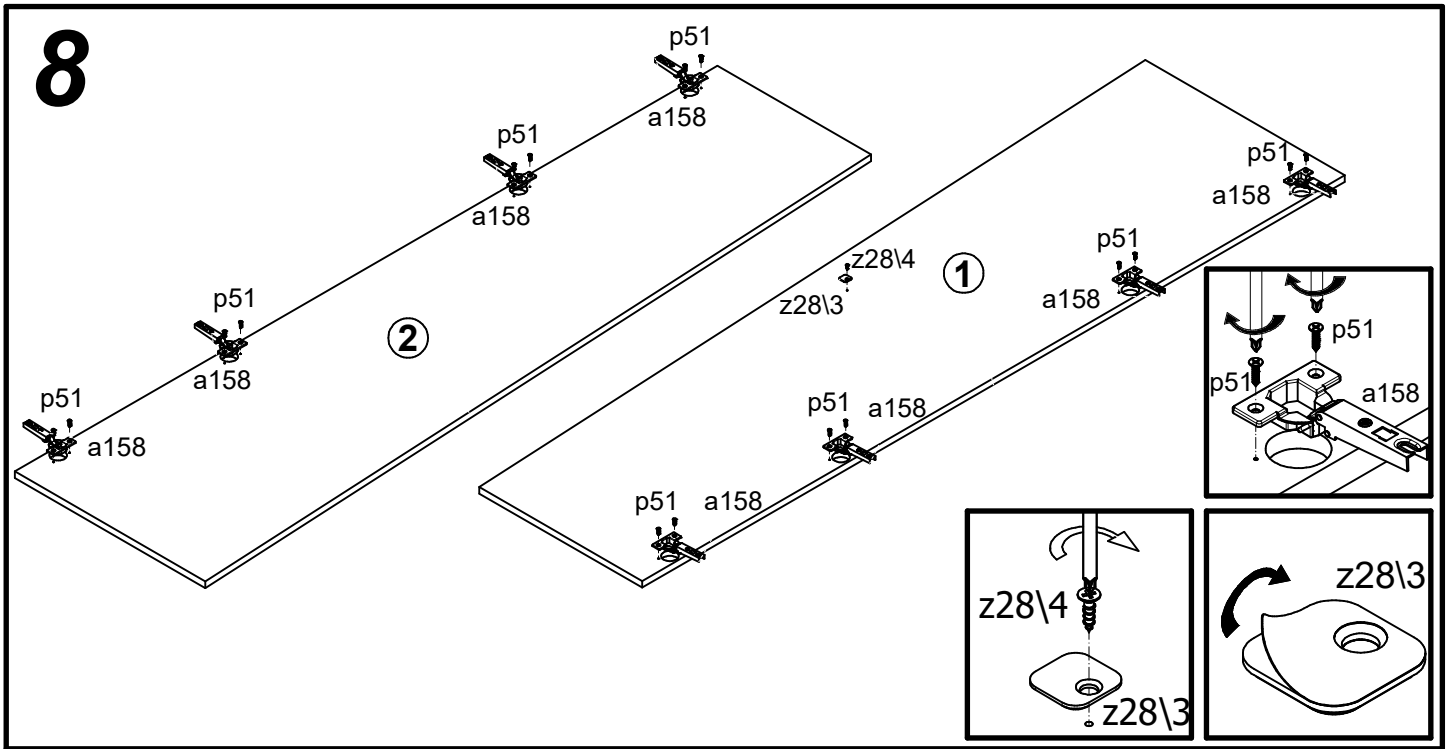


# 6



# 7







# 10

