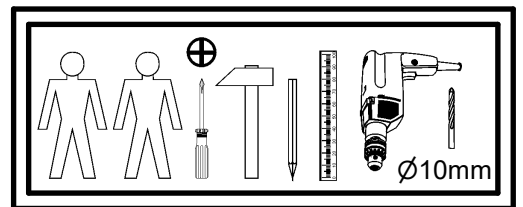
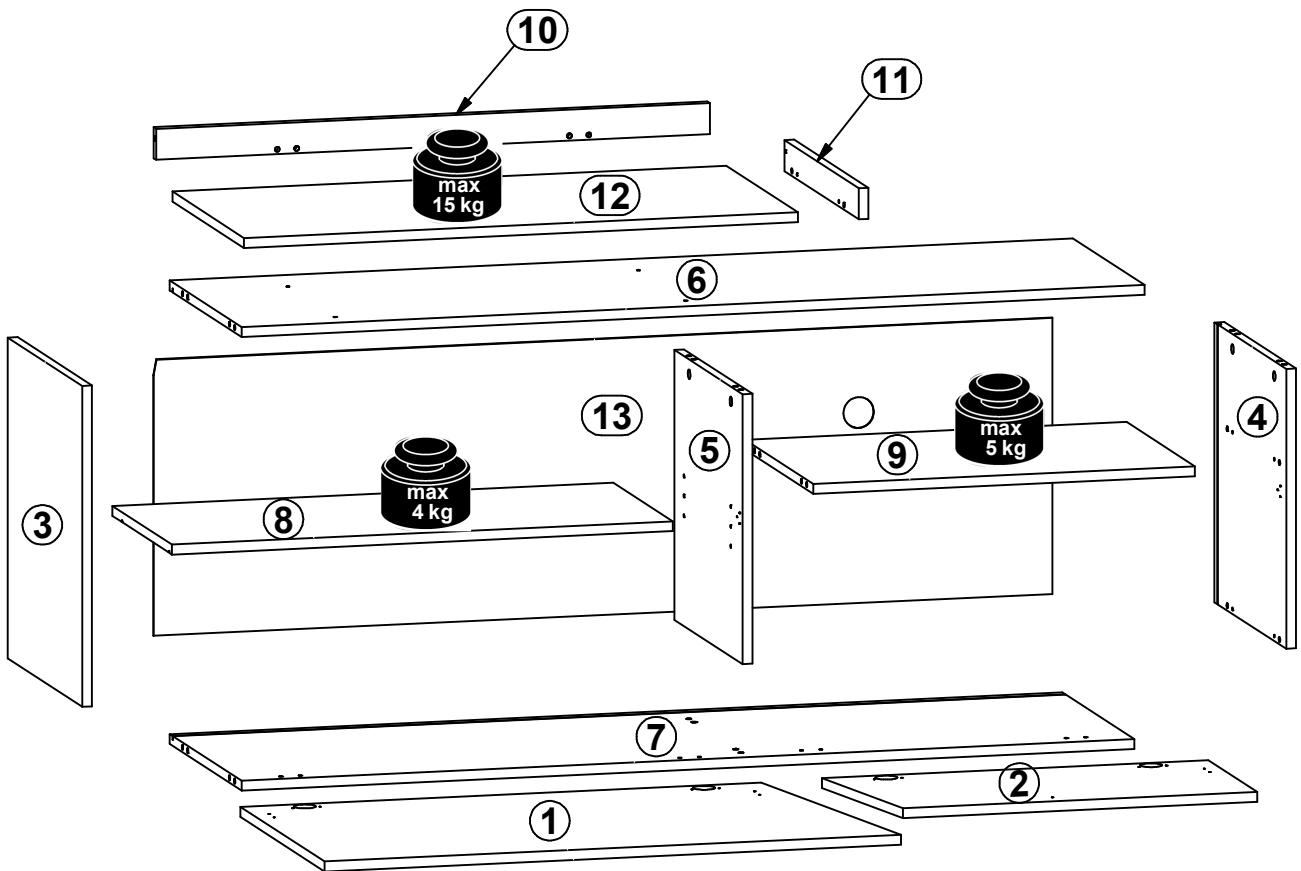
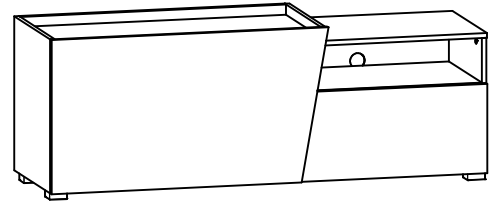


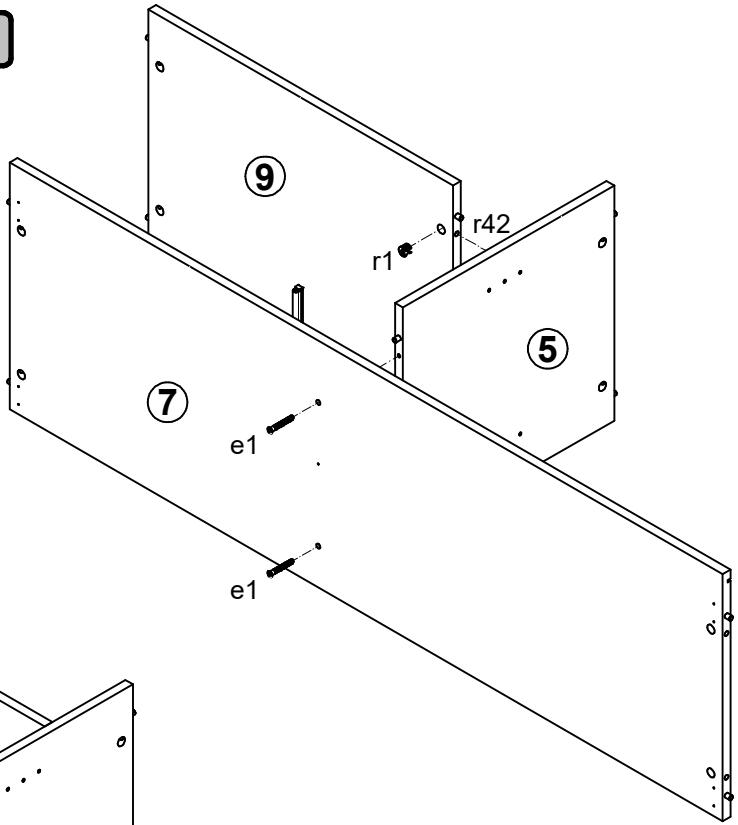
A	B	C	D	
1	S419-0011	517	947	1/2
2	S419-0012	300	635	1/2
3	S419-1015	517	456	1/2
4	S419-1016	451	440	1/2
5	S419-1017	435	419	1/2
6	S419-2005	1484	440	2/2
7	S419-3014	1467	440	2/2
8	S419-3015	823	365	2/2
9	S419-3016	627	419	2/2
10	S419-4007	910	50	1/2
11	S419-4008	456	50	1/2
12	S419-5003	910	439	1/2
13	S419-9005	445	1477	2/2



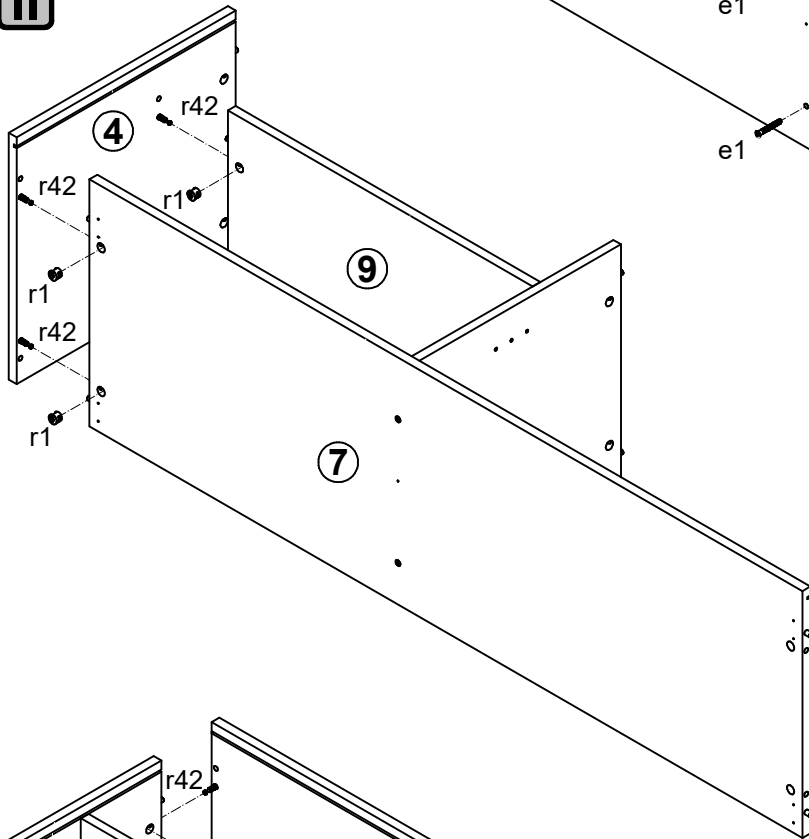
4x a158 Ø35 mm 90°	4x b43 H4	4x d1 Ø5x17 mm	4x e1 Ø7x50 mm	8x e2 Ø6.3x13 mm	20x f1 Ø8x30 mm	1x k53 Ø50x25 mm	4x k55 60x60/25 mm	10x l1 1.4x20 mm
8x i2	3x m56/2 1.50N	3x m57/1	3x m57/3	2x o21 silikon	1x p36 Ø4x25 mm	15x p5 Ø3.5x13 mm	8x p51 Ø3.5x15 mm	8x p6 Ø4x35 mm
4x p9 Ø4x30 mm	18x r1 Ø15x12 mm #16	18x r42 20/11	1x z28/1	1x z28/2 82x9.5/6.5mm	1x z28/3 20x20/1.5 mm	3x z28/4 Ø3x12mm	4x s2 Ø16	1x z1 4 mm
							1x n26/1	1x p38 Ø3.5x16 mm

2 §6

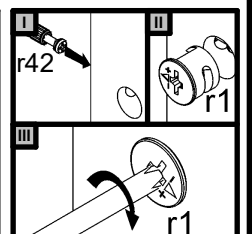
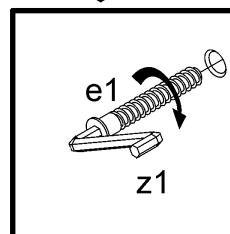
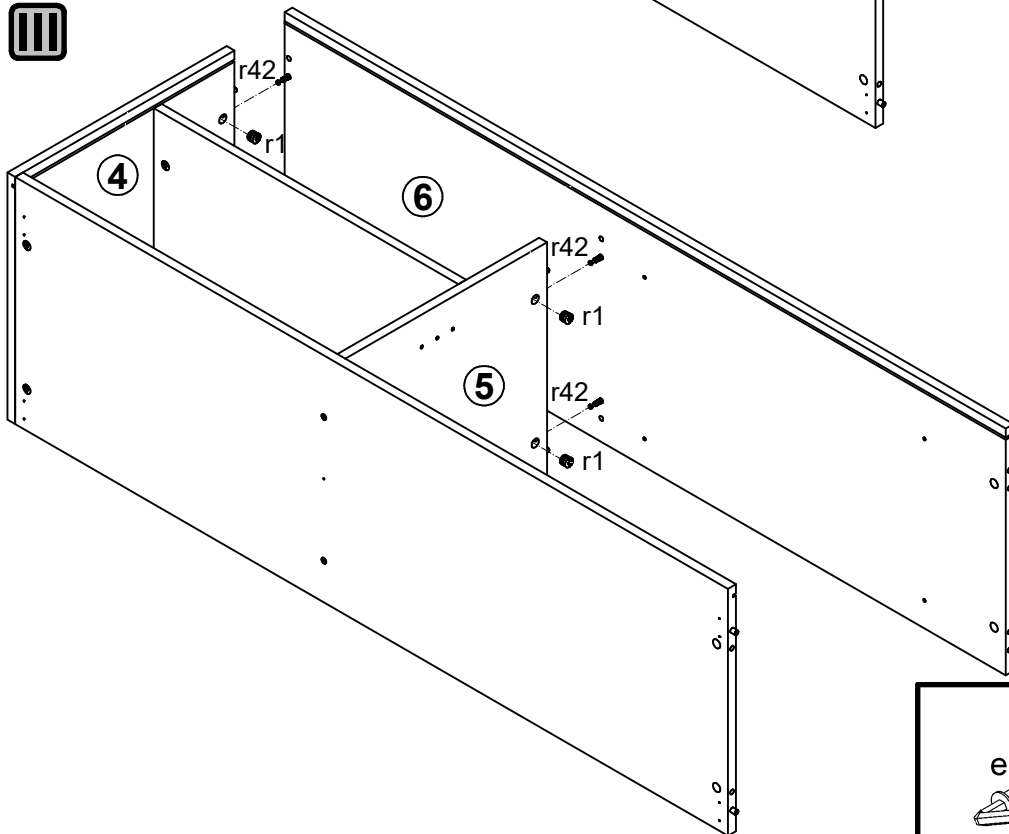
I



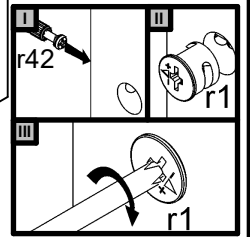
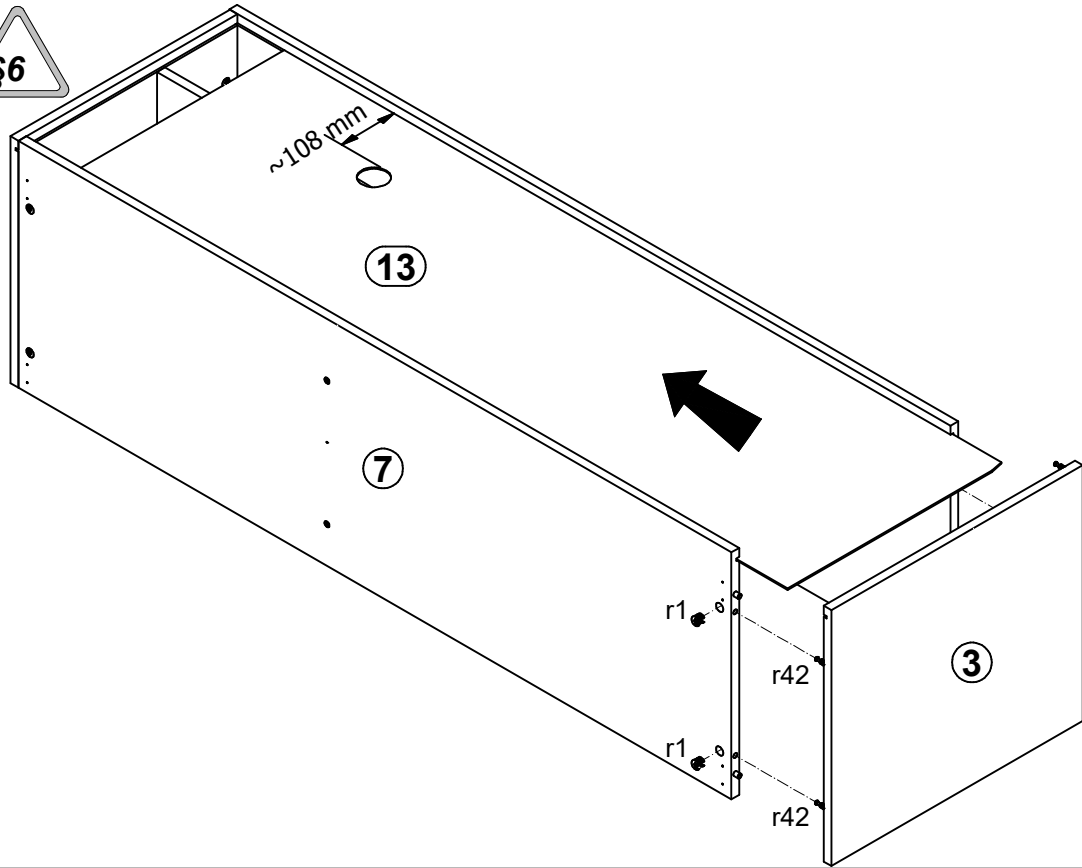
II



III



3 



4 

