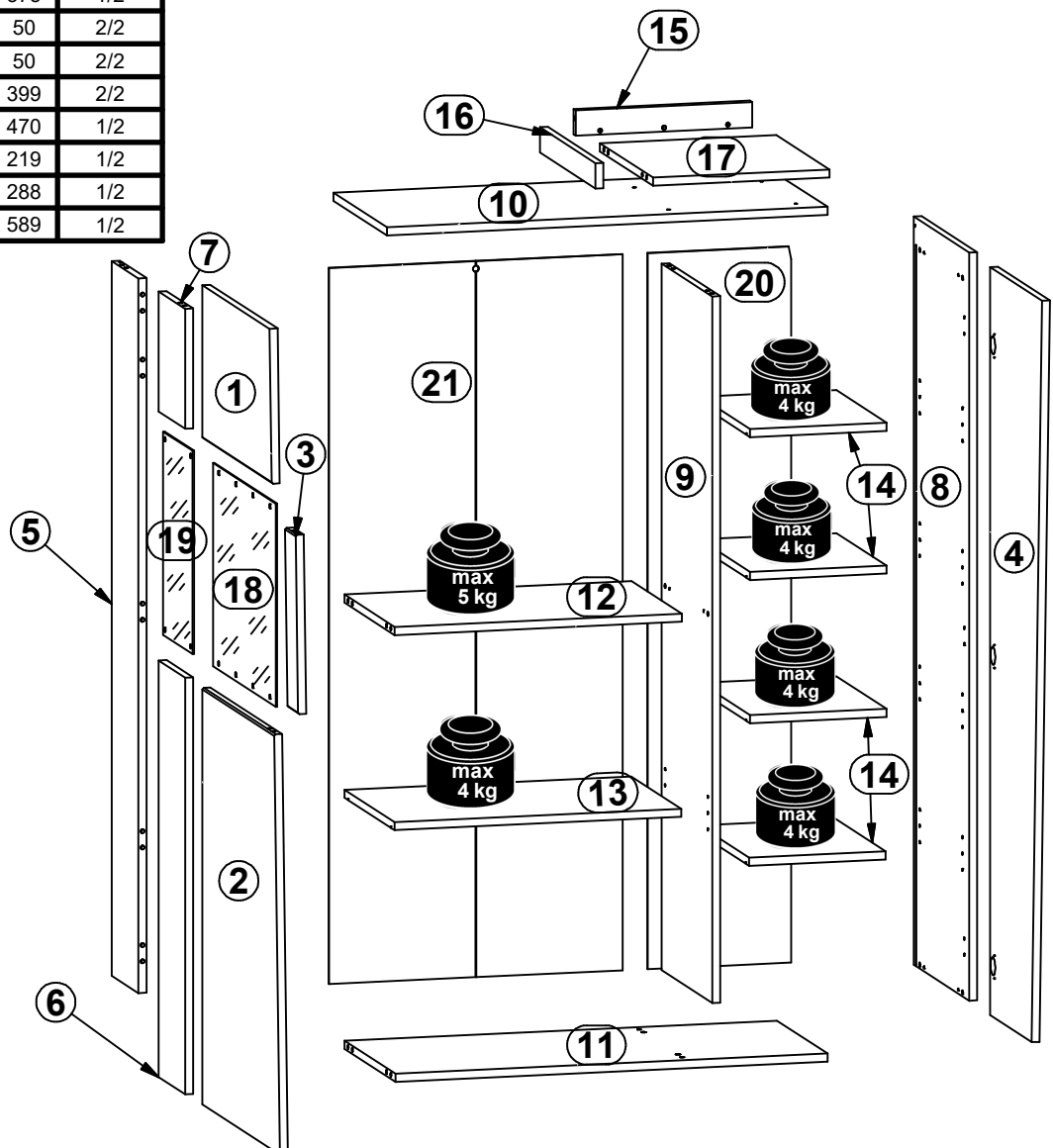
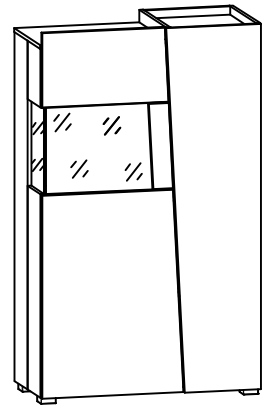
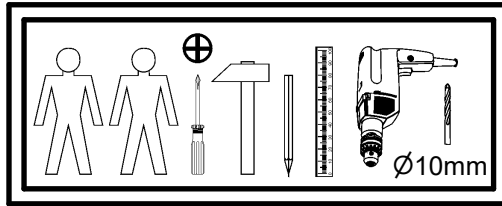
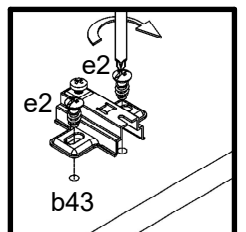
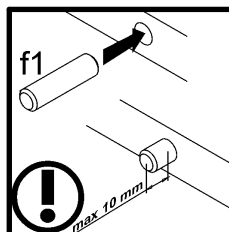
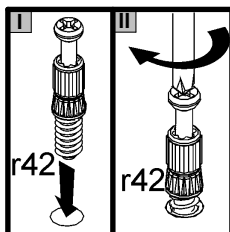
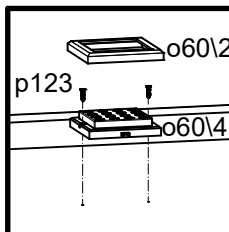
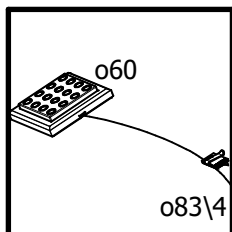
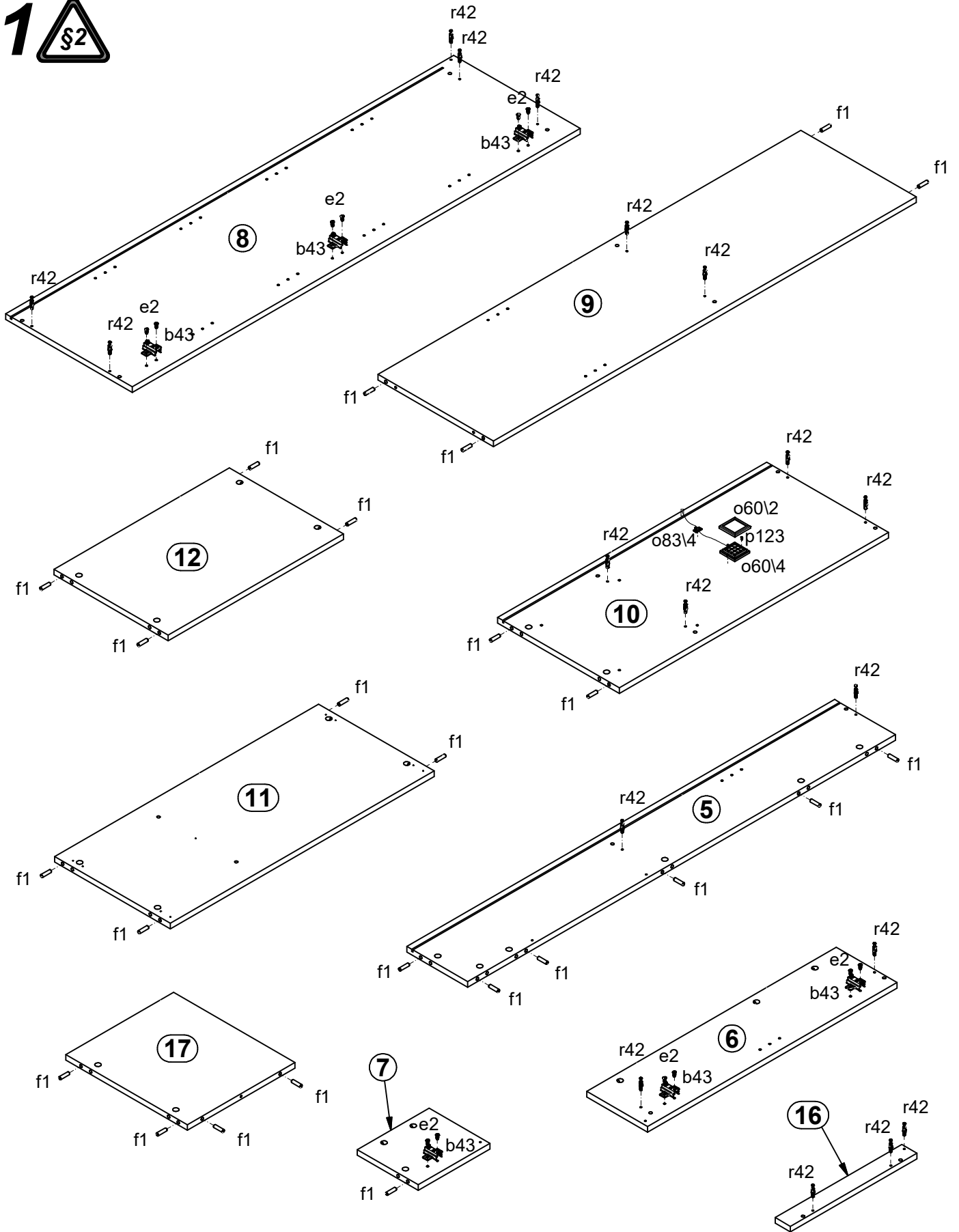


A	B	C	D	
1	S419-0007	302	519	2/2
2	S419-0008	820	580	2/2
3	S419-0009	350	98	2/2
4	S419-0010	1472	389	2/2
5	S419-1010	1406	200	2/2
6	S419-1011	820	200	2/2
7	S419-1012	236	200	2/2
8	S419-1013	1472	416	2/2
9	S419-1014	1390	379	1/2
10	S419-2004	884	400	1/2
11	S419-3010	867	380	1/2
12	S419-3011	576	375	1/2
13	S419-3012	575	375	1/2
14	S419-3013	274	375	1/2
15	S419-4005	354	50	2/2
16	S419-4006	416	50	2/2
17	S419-5002	354	399	2/2
18	S419-5501	400	470	1/2
19	S419-5502	400	219	1/2
20	S419-9004	1409	288	1/2
21	S419-9303	1409	589	1/2

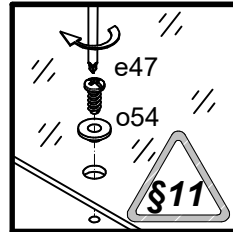
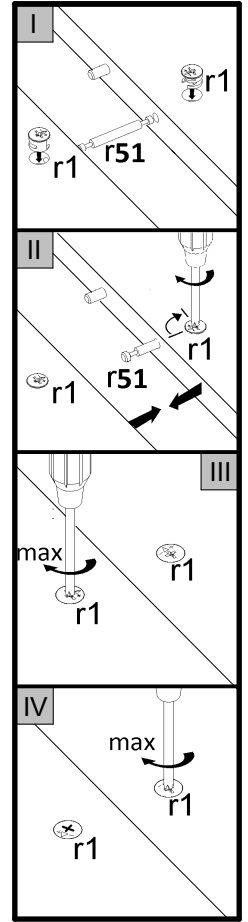
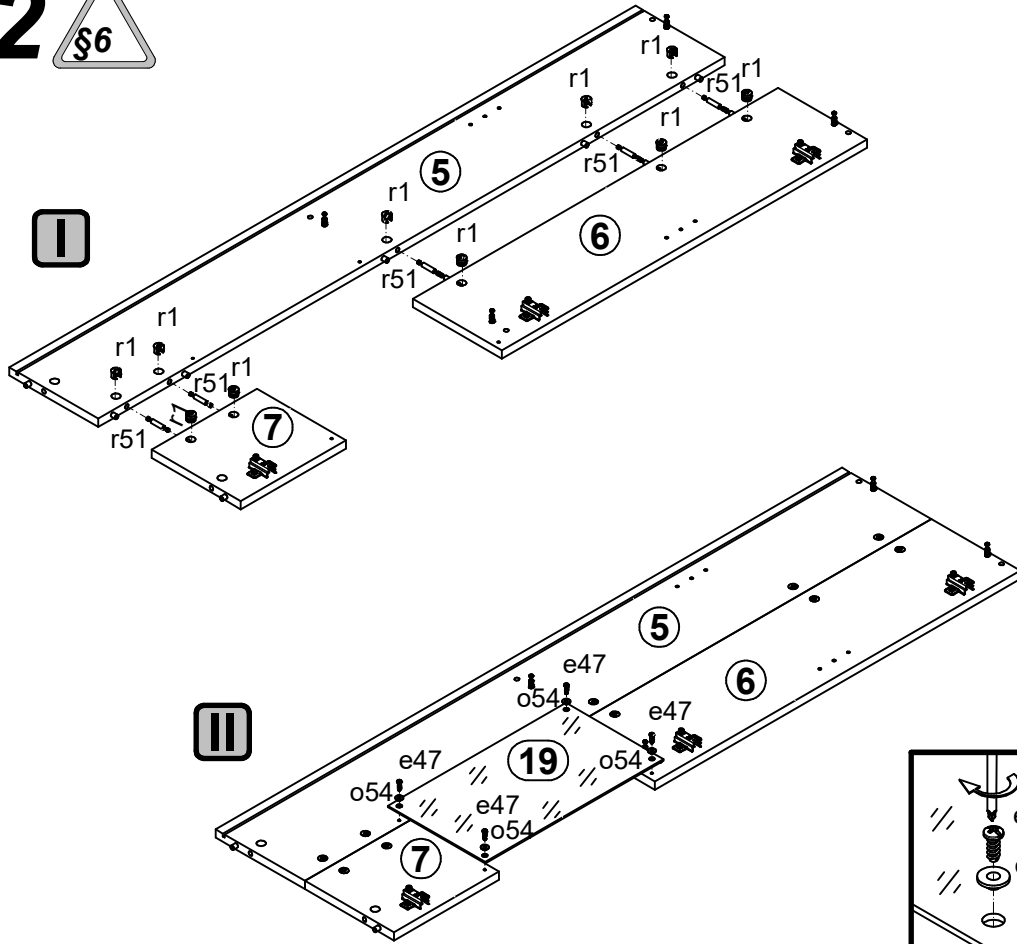


2x a133	6x a158	6x b43	20x d1 Ø5x17 mm	3x e1 Ø7x50 mm	12x e2 Ø6,3x13 mm	12x e47 Ø5x16 mm	27x f1 Ø8x30 mm	1x k53 Ø50x25 mm
4x k55 60x60x25 mm	15x l1 1,4x20 mm	9x l2	7x n108 22x9,5x20,7 mm	12x o54 Ø5,3/Ø6,3x4,8 mm	1x o60/4 2x1,8W	1x o60/2	1x o60/3	1x o83/4 10x18 mm
1x p36 Ø4x25 mm	12x p51 Ø3,5x15 mm	7x p55 Ø2,9x16 mm	8x p6 Ø4x35 mm	4x p9 Ø4x30 mm	2x p123 Ø2x8 mm	32x r1 Ø15x12 mm #16	18x r42 20/11	7x r51 40 mm
20x s2 Ø16	1x z1 4 mm						1x n26	1x p38 Ø3,5x16 mm

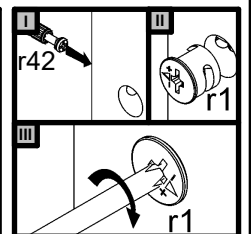
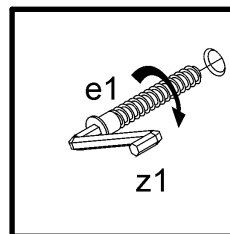
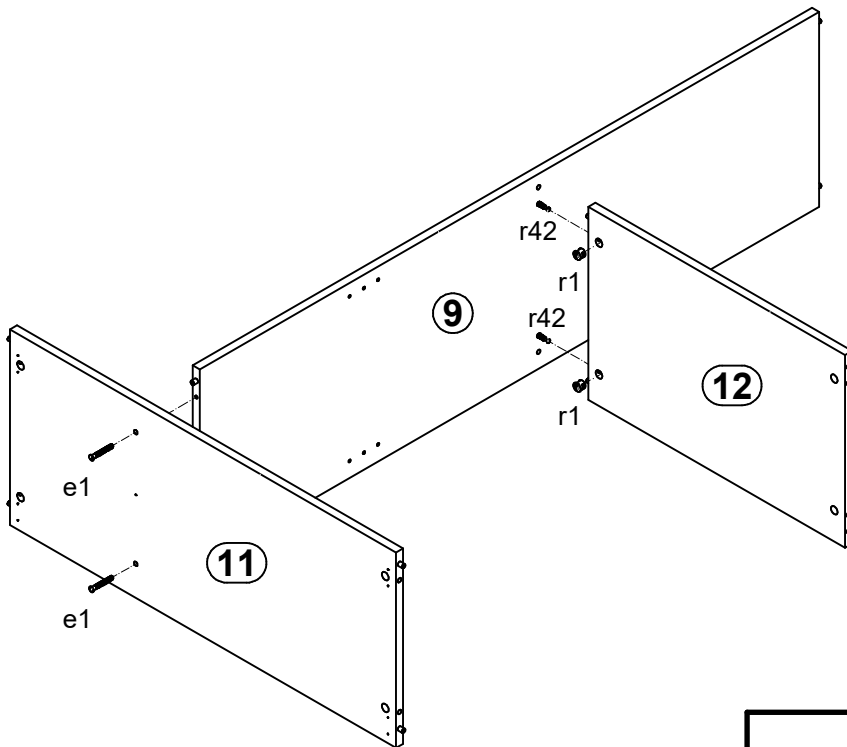
1 



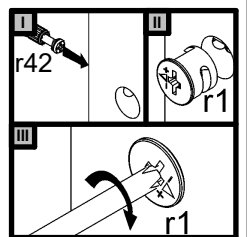
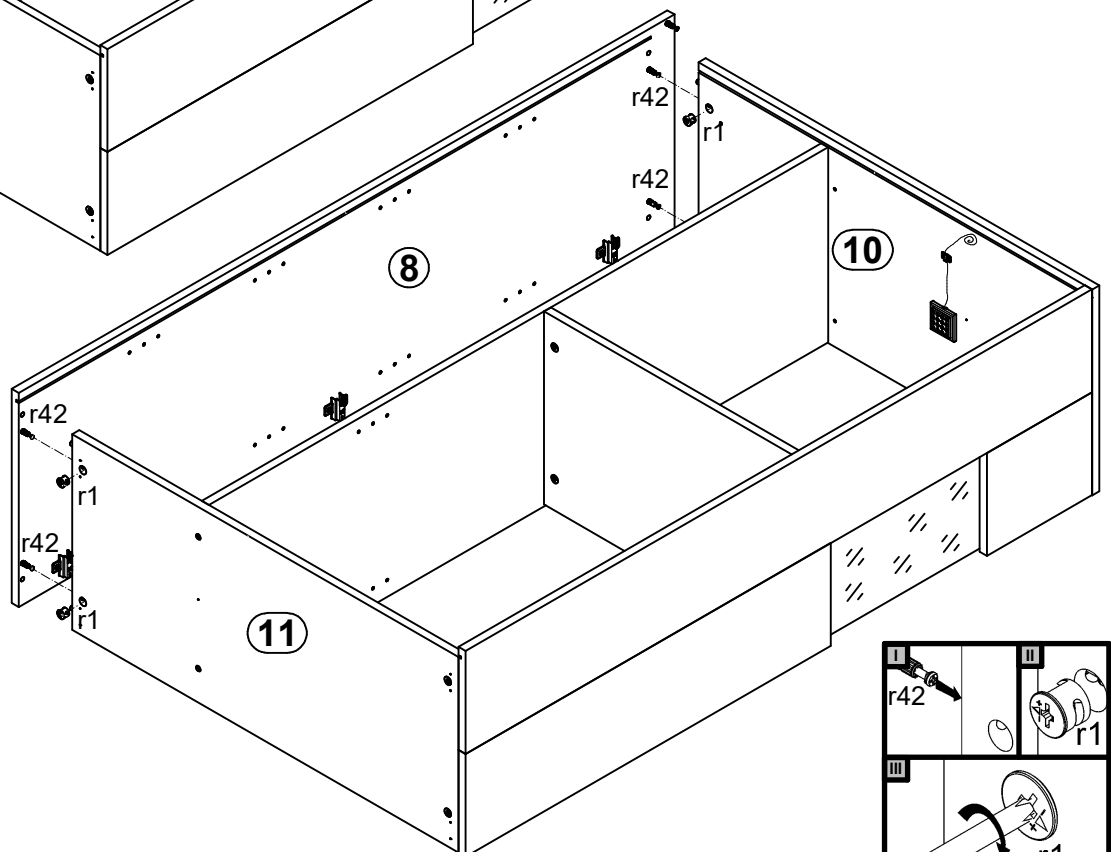
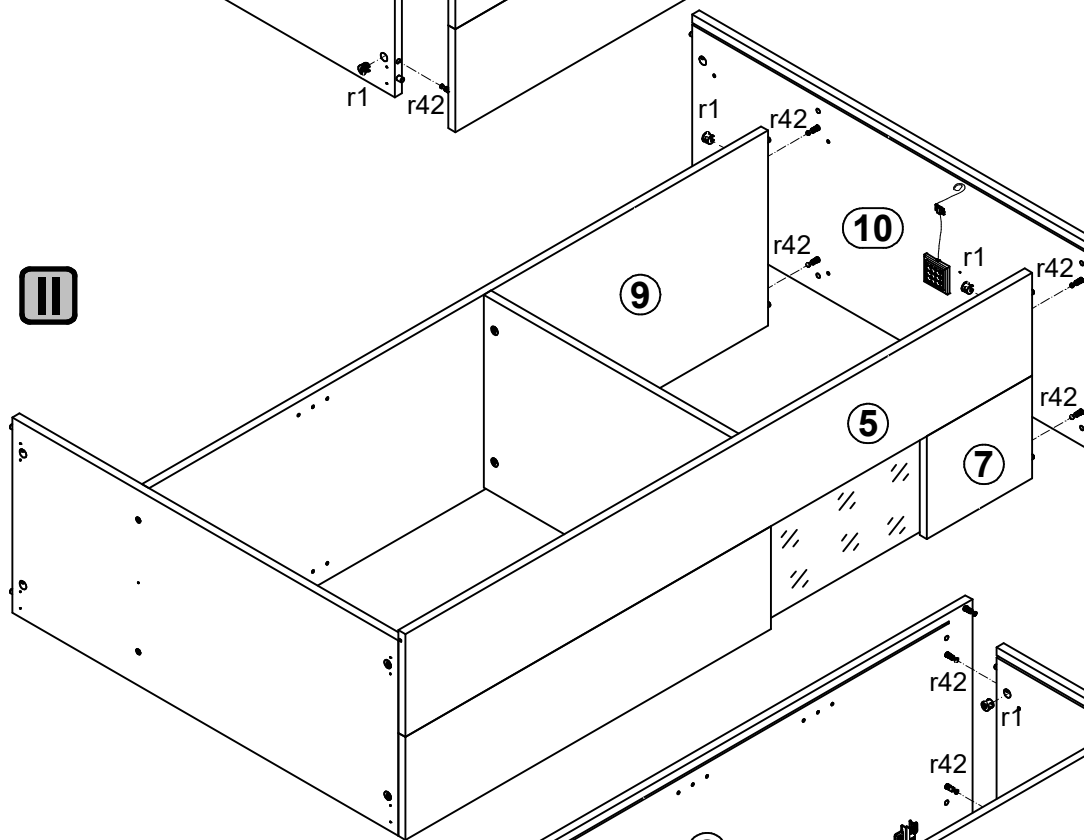
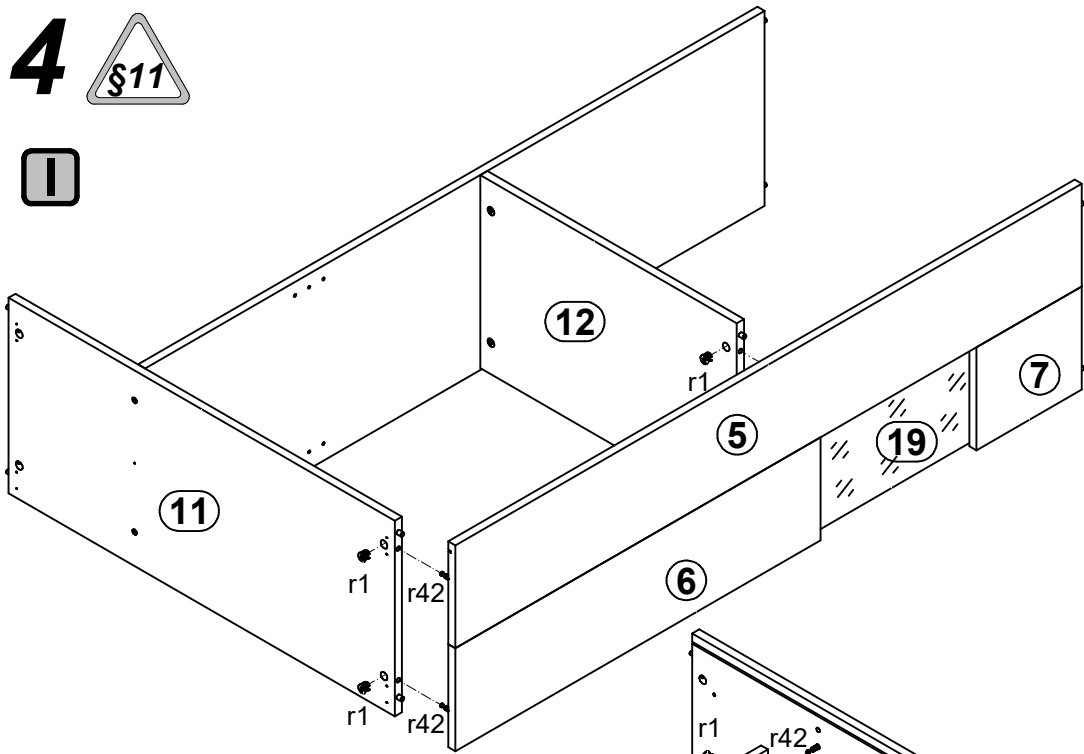
2



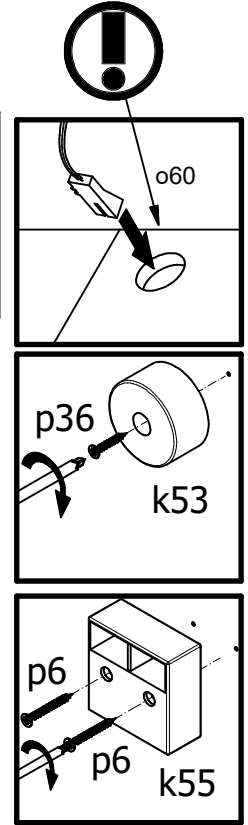
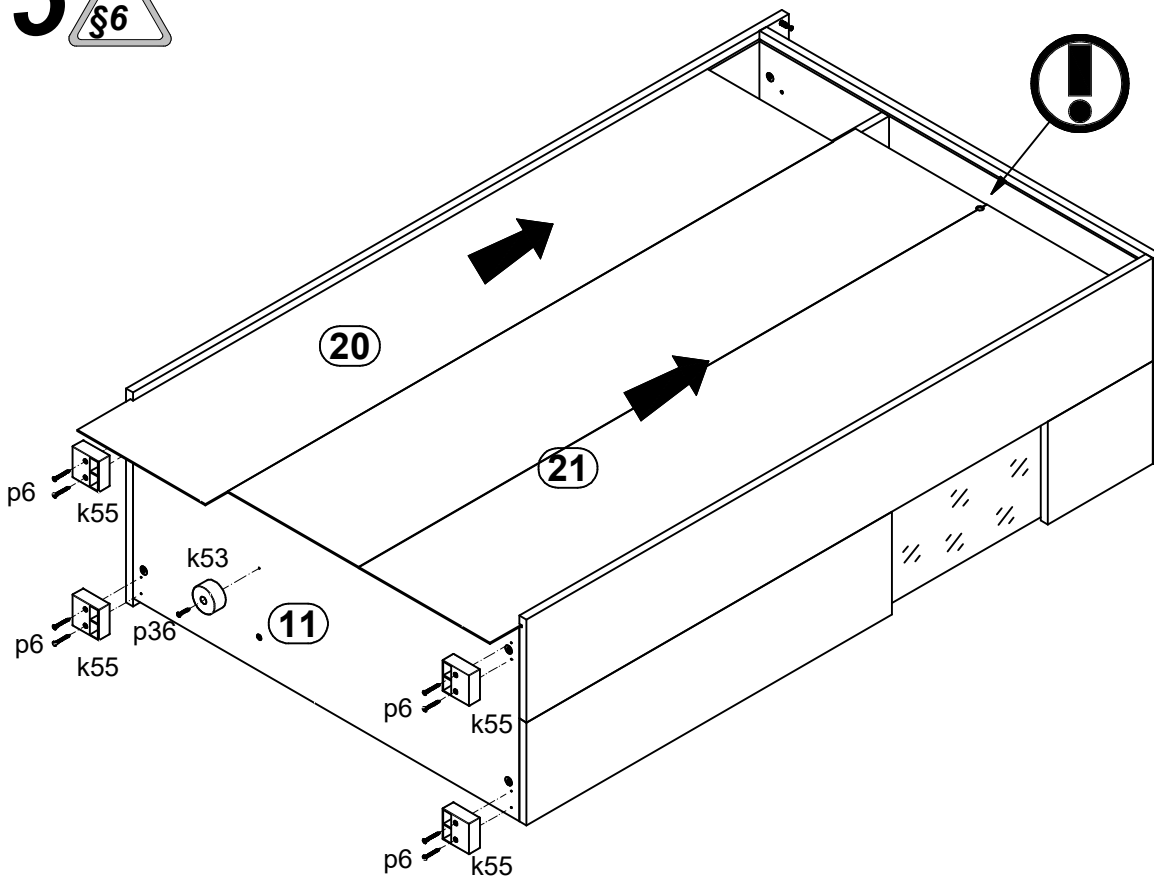
3



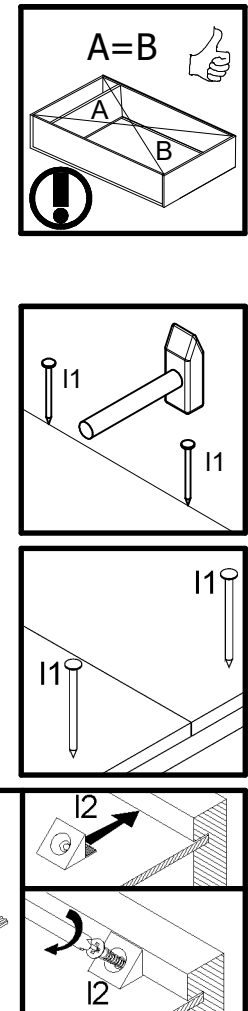
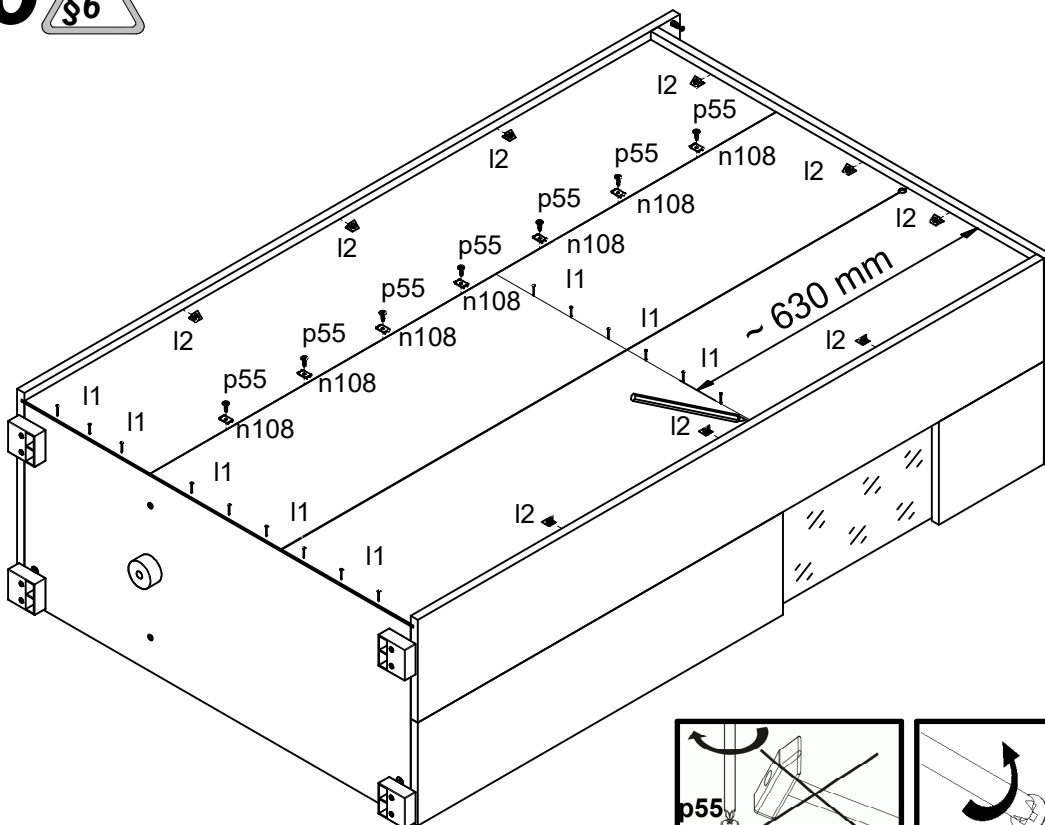
4



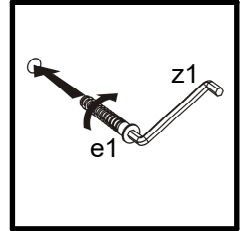
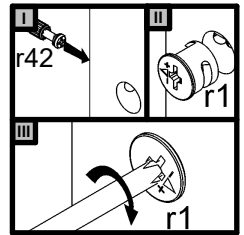
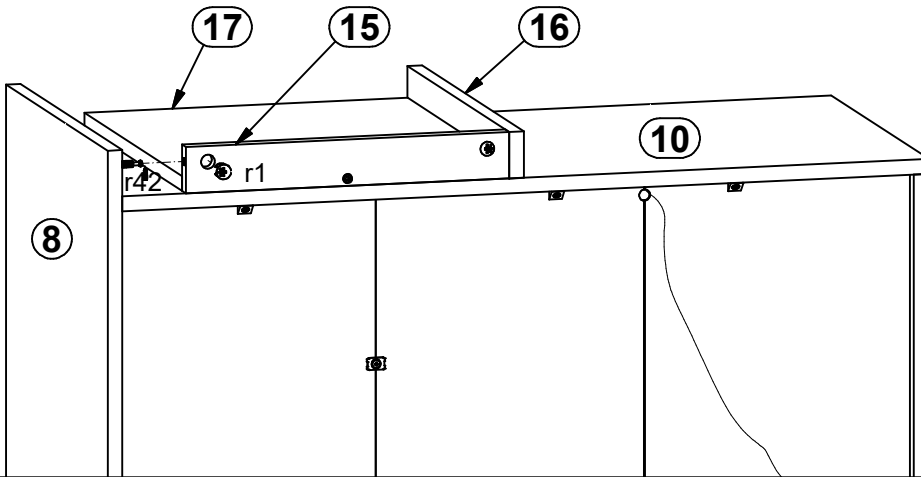
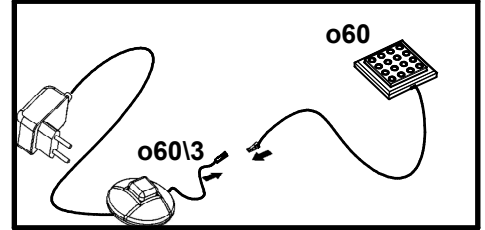
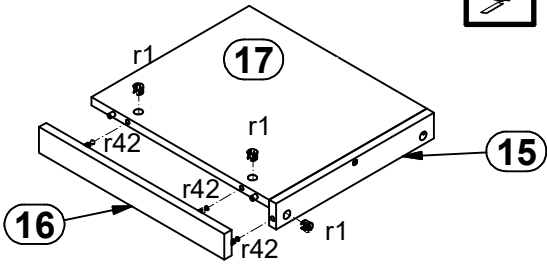
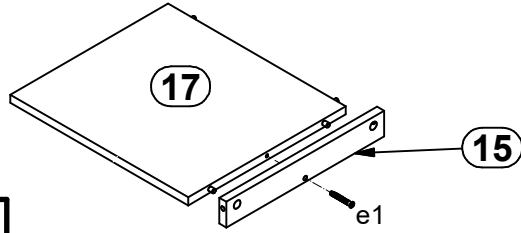
5



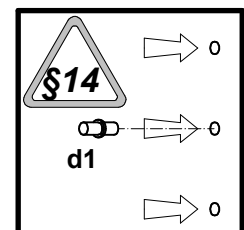
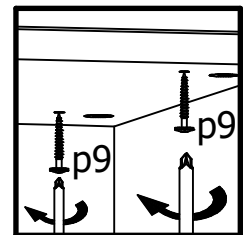
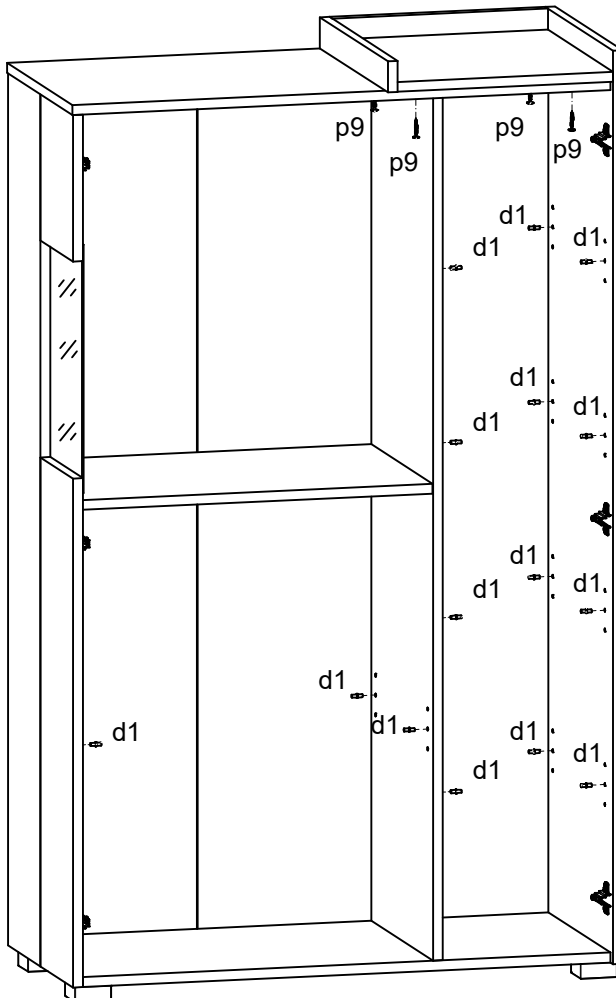
6



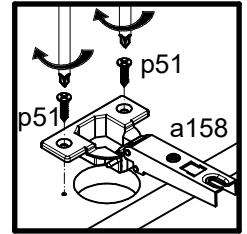
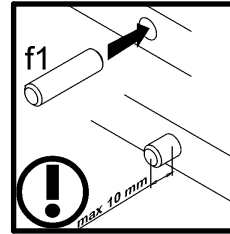
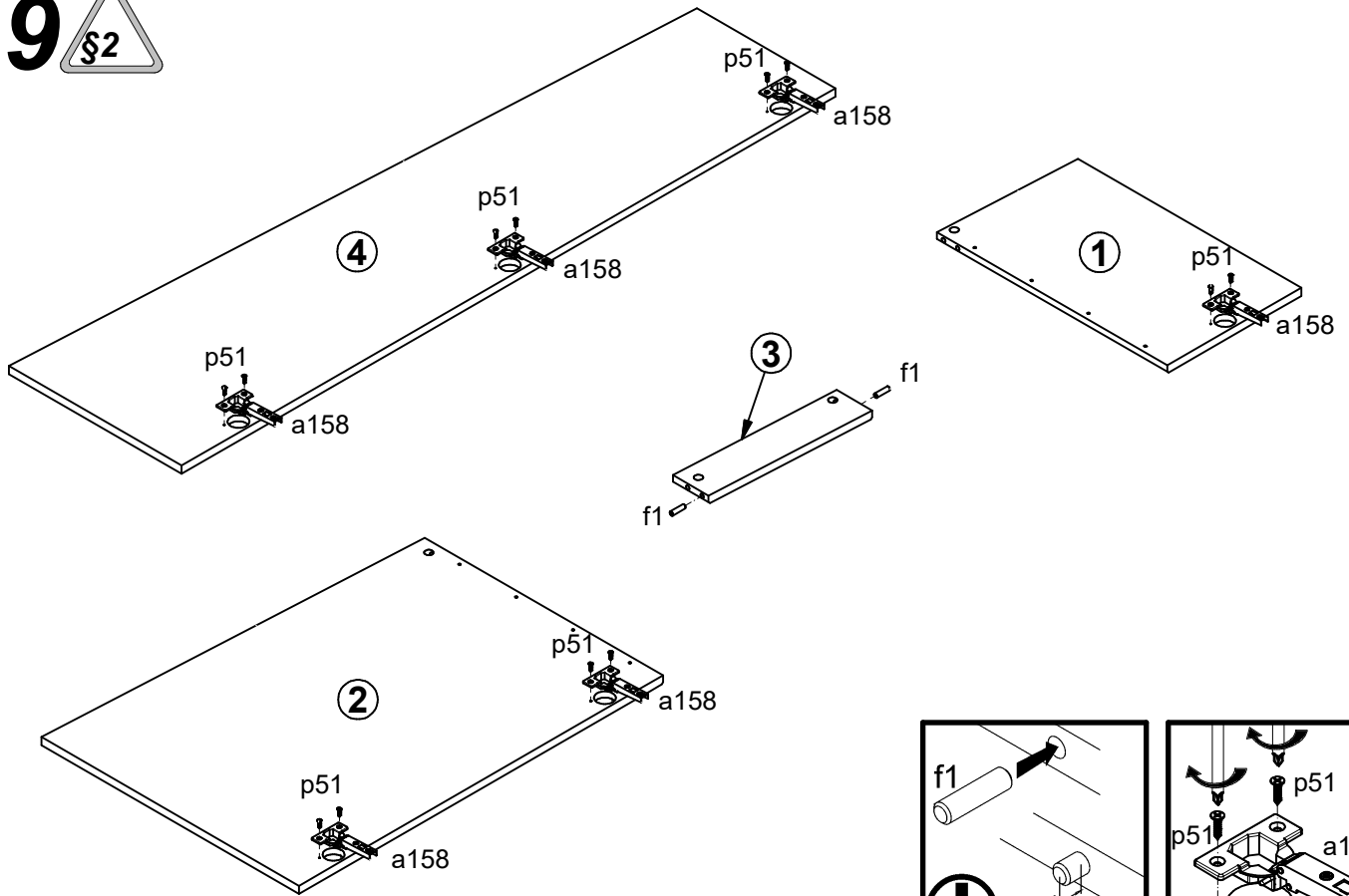
7 §6



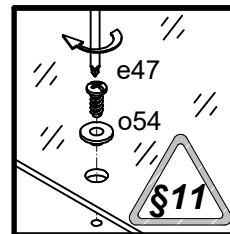
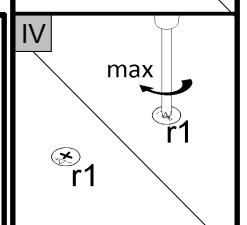
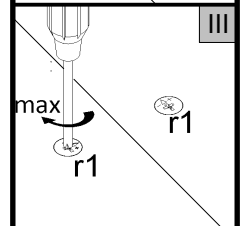
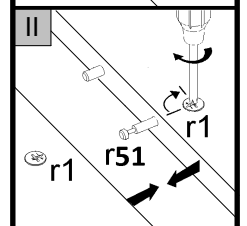
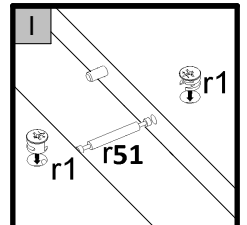
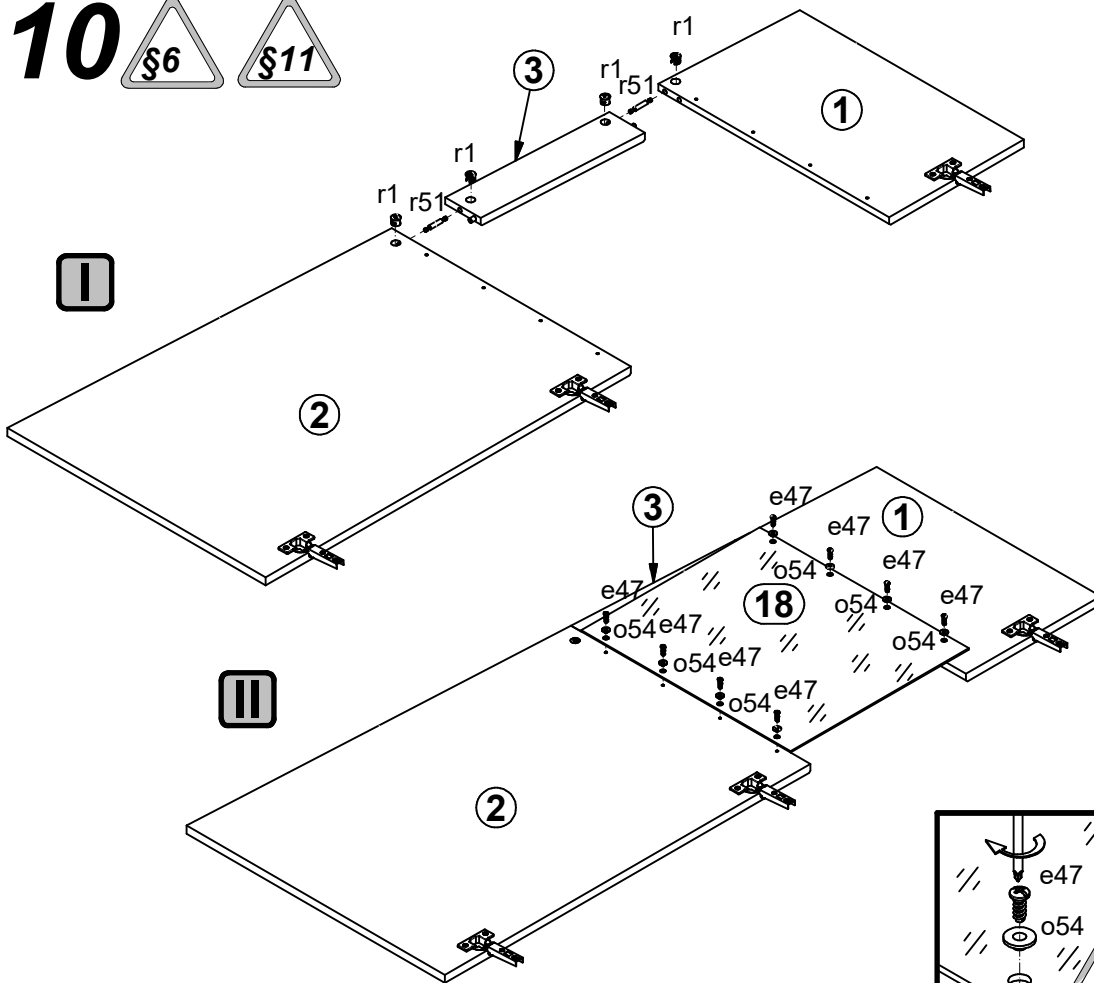
8 §6



9



10



11

