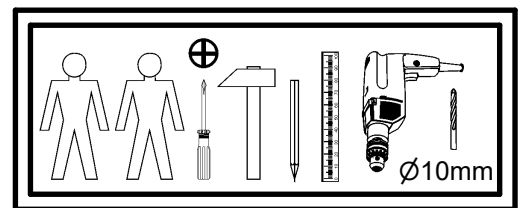
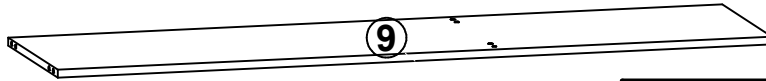
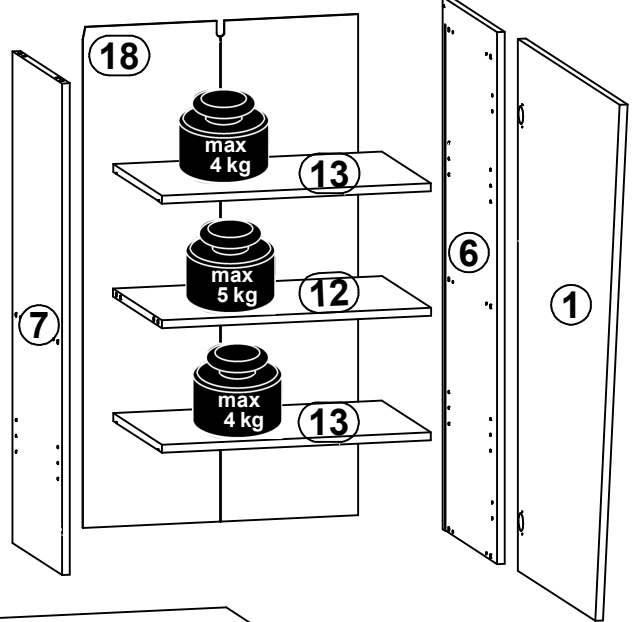
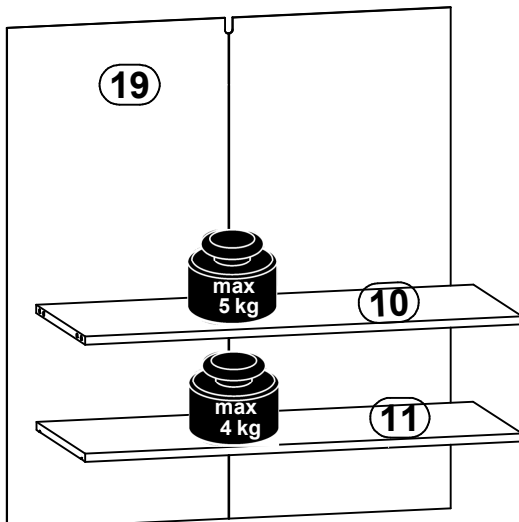
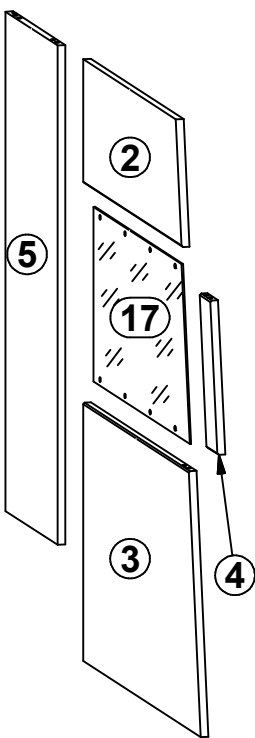
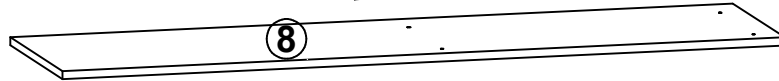
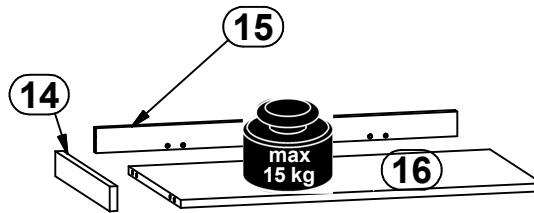
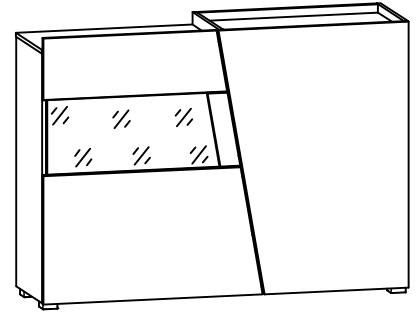


**A**

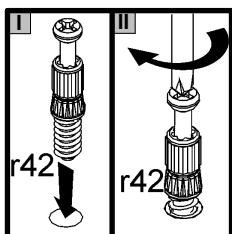
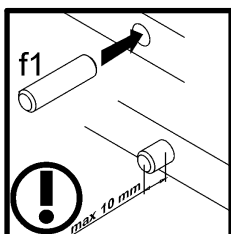
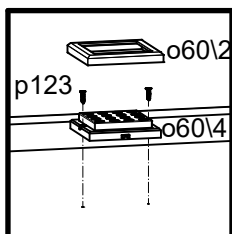
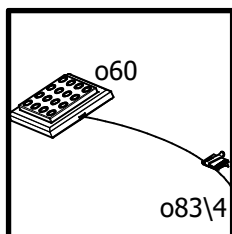
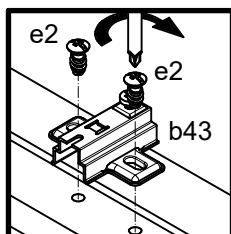
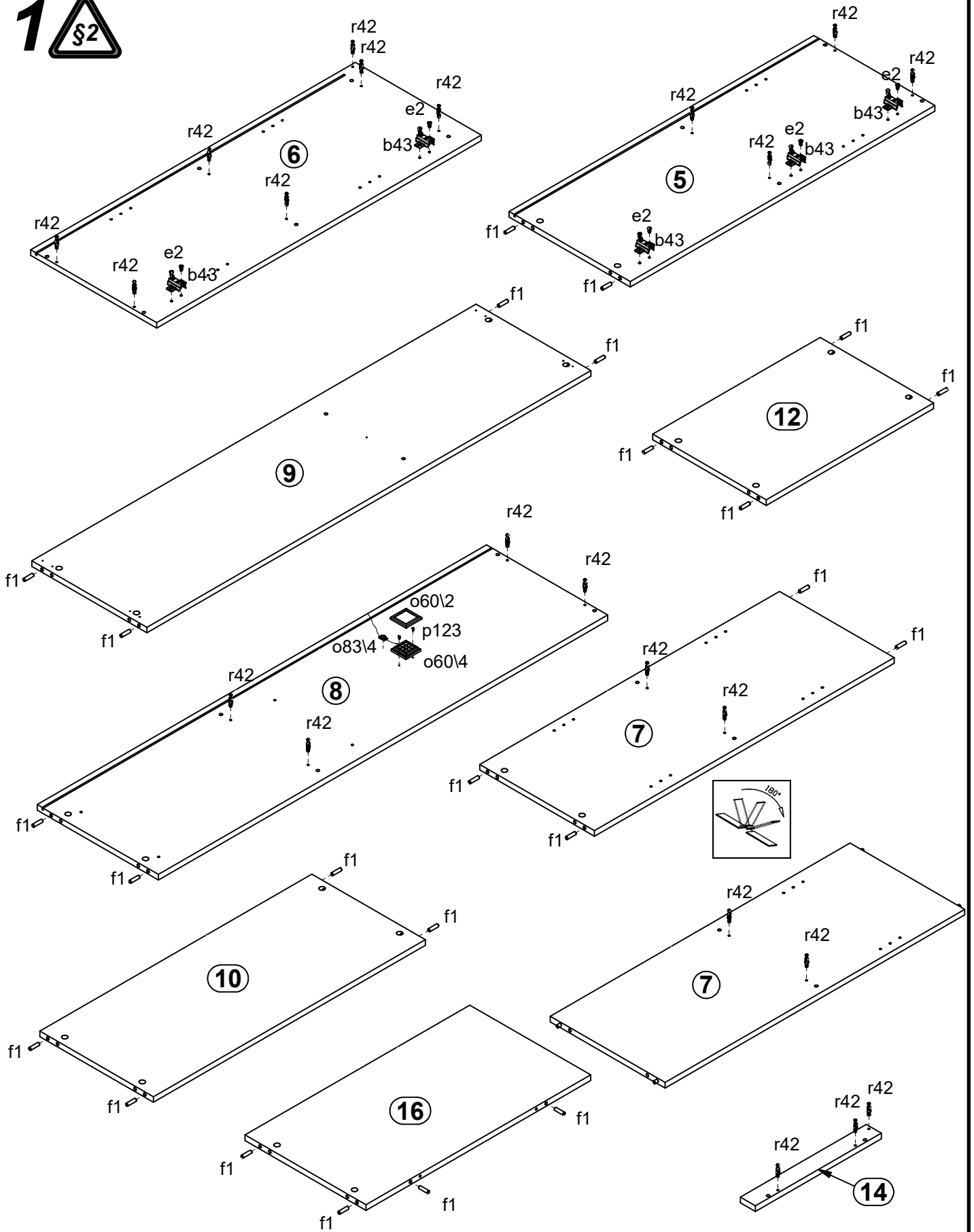
# RAUMA S419-KOM1W1D/10/15

A	B	C	D
1	S419-0013	1072	781
2	S419-0014	755	250
3	S419-0015	520	900
4	S419-0016	302	134
5	S419-1018	1006	400
6	S419-1019	1072	416
7	S419-1020	990	379
8	S419-2006	1484	400
9	S419-3017	1467	380
10	S419-3018	898	375
11	S419-3019	897	375
12	S419-3020	553	375
13	S419-3021	552	375
14	S419-4006	416	50
15	S419-4009	742	50
16	S419-5004	742	399
17	S419-5503	352	738
18	S419-9304	1009	565
19	S419-9305	1009	911



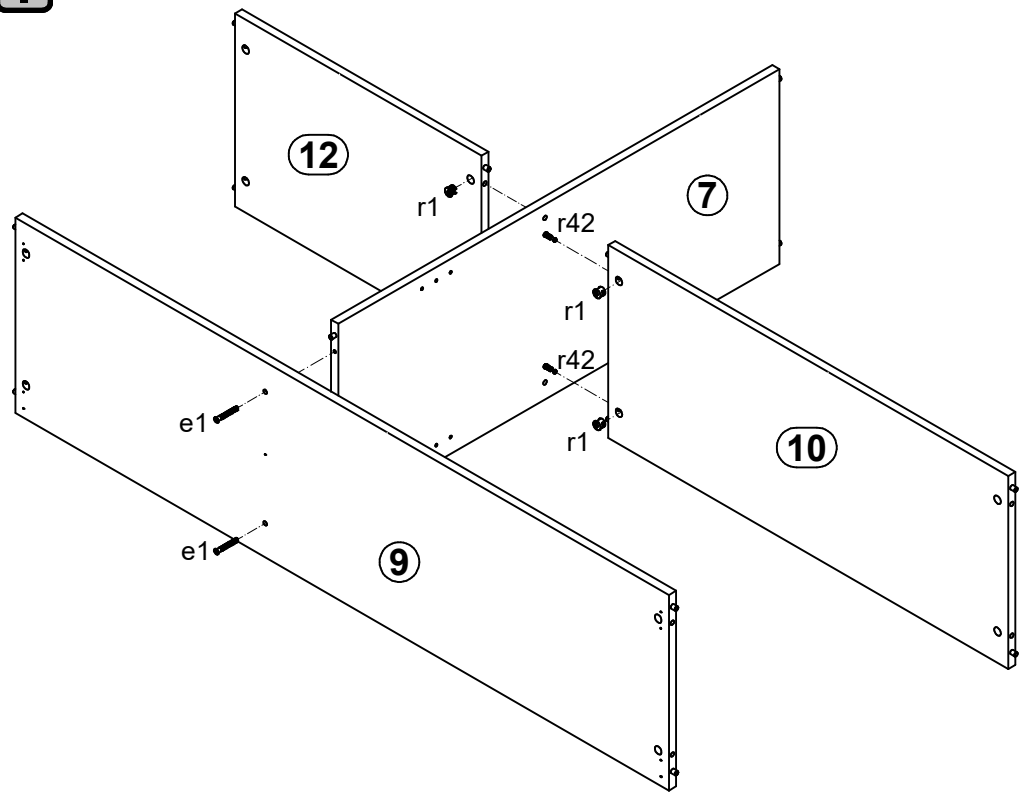
2x a133	5x a158 Ø35 mm 90°	5x b43	12x d1 Ø5x17 mm	4x e1 Ø7x50 mm	10x e2 Ø6,3x13 mm	8x e47 Ø5x16 mm	26x f1 Ø8x30 mm	1x k53 Ø50x25 mm
4x k55 60x60/25 mm	20x l1 1,4x20 mm	8x l2	5x n108 22x9,5x20,7 mm	8x o54 Ø5,3/Ø6,3x4,8 mm	1x o60/4 2x1,8W	1x o60/2	1x o60/3	1x o83/4 10x18 mm
2x p123 Ø2x8 mm	1x p36 Ø4x25 mm	10x p51 Ø3,5x15 mm	5x p55 Ø2,9x16 mm	8x p6 Ø4x35 mm	4x p9 Ø4x30 mm	26x r1 Ø15x12 mm #16	22x r42 20/11	2x r51 40 mm
8x s2 Ø16	1x z1 4 mm				2x n14/2 86x21x15/1,5	2x f35 Ø10x50 mm	2x p17 Ø5x60 mm	4x p38 Ø3,5x16 mm

1 §2

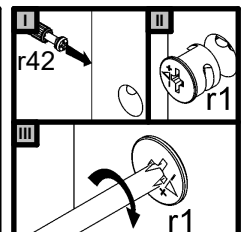
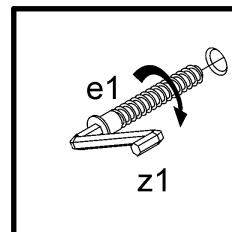
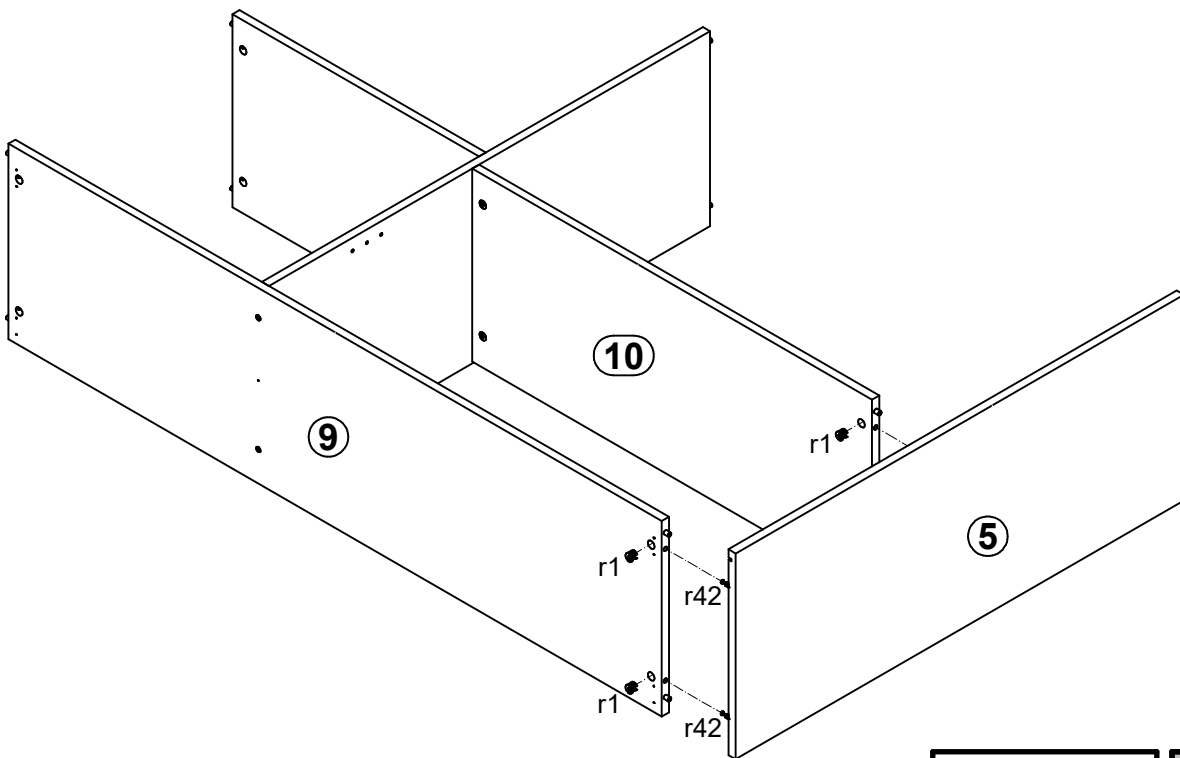


2 

I

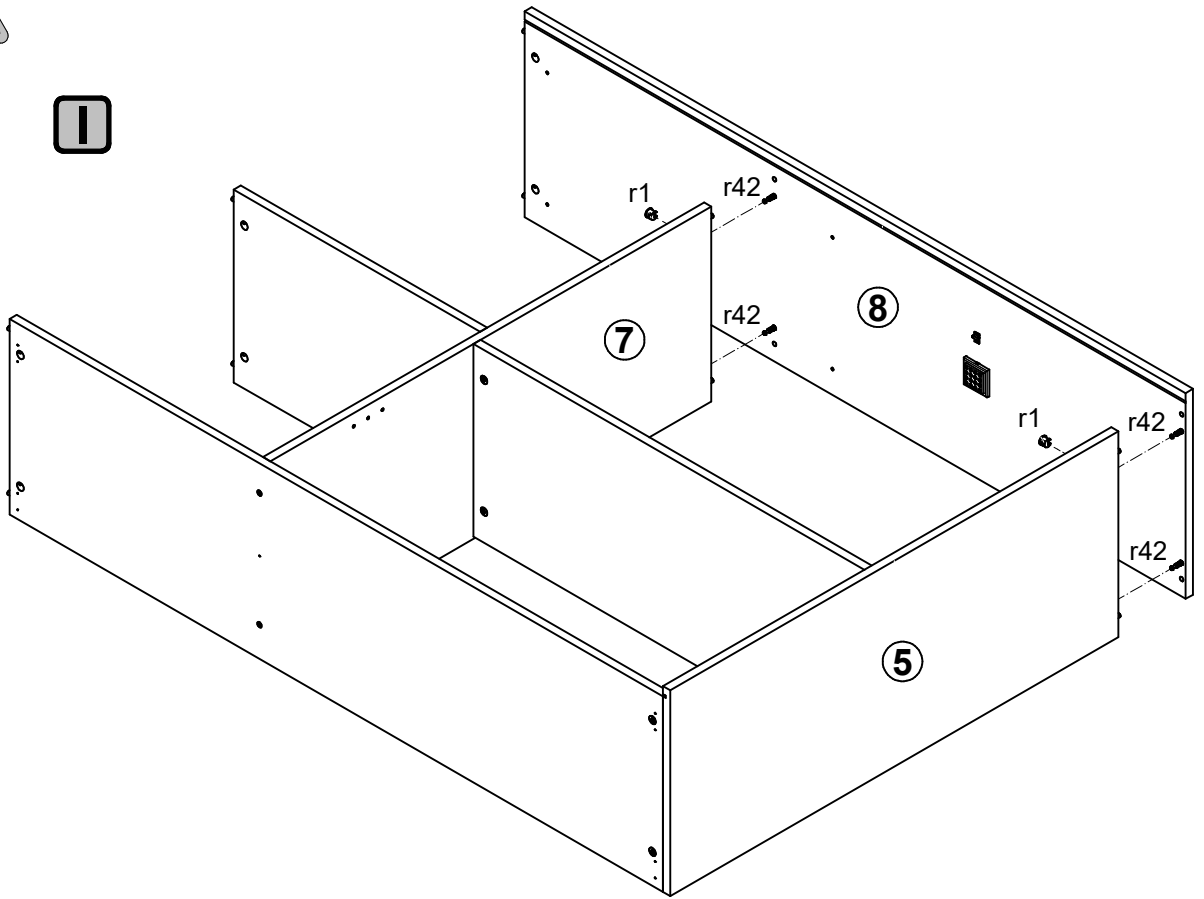


II

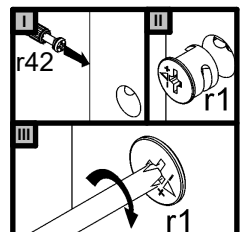
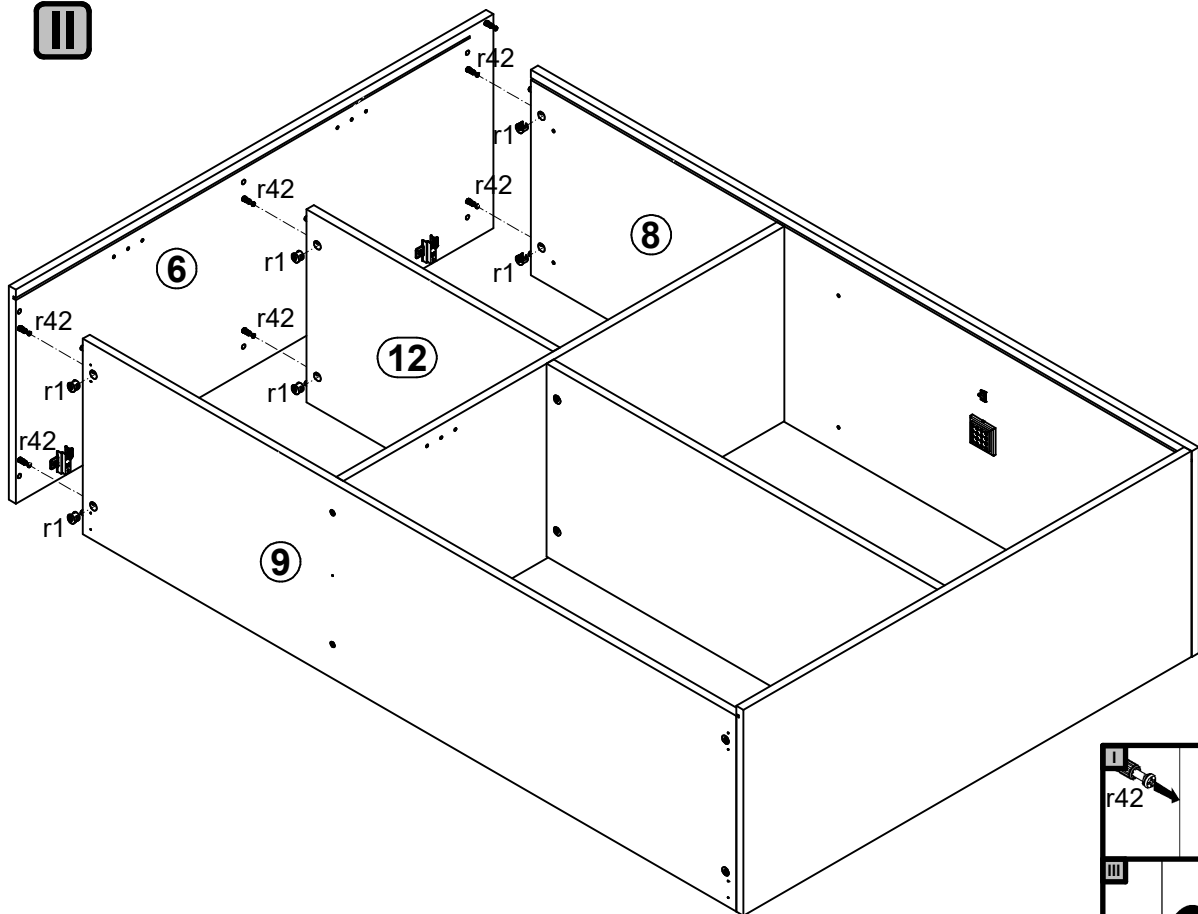


3 

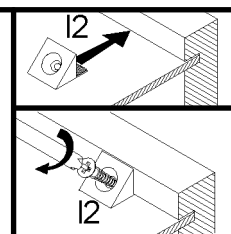
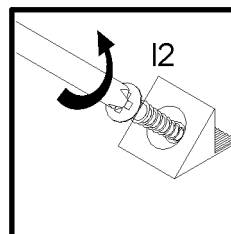
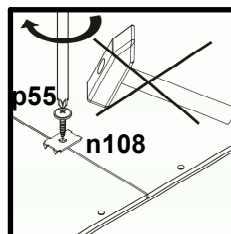
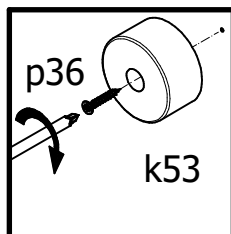
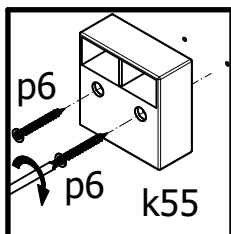
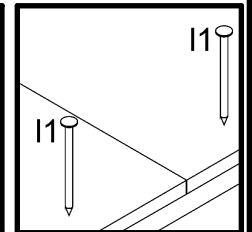
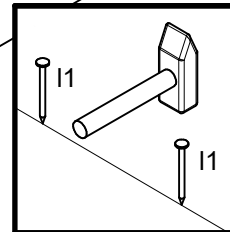
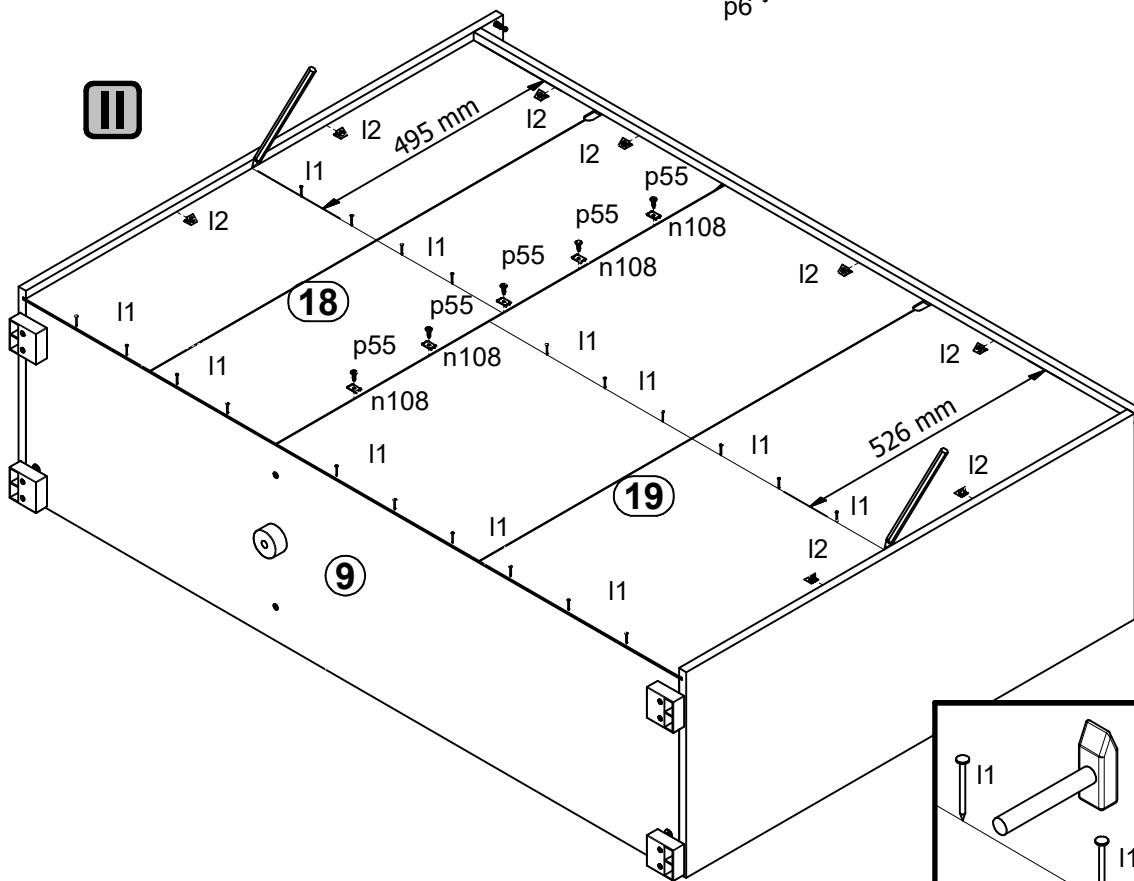
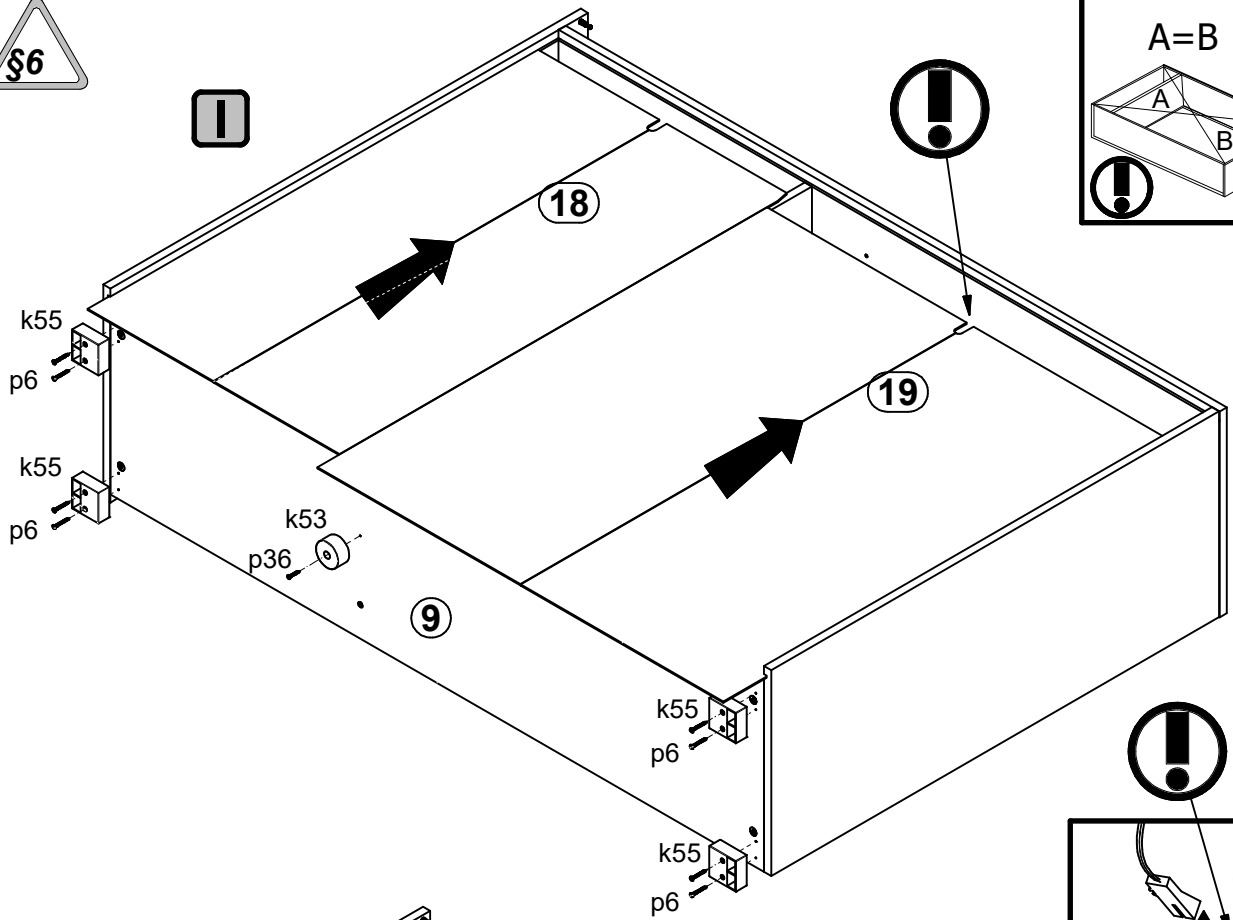
I



II

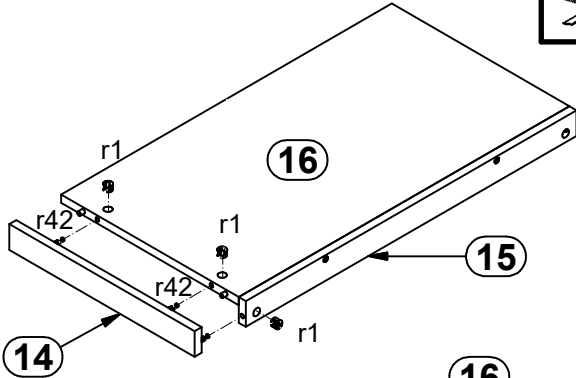
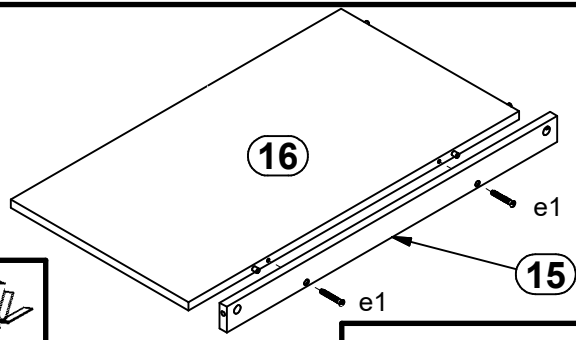


4 §6

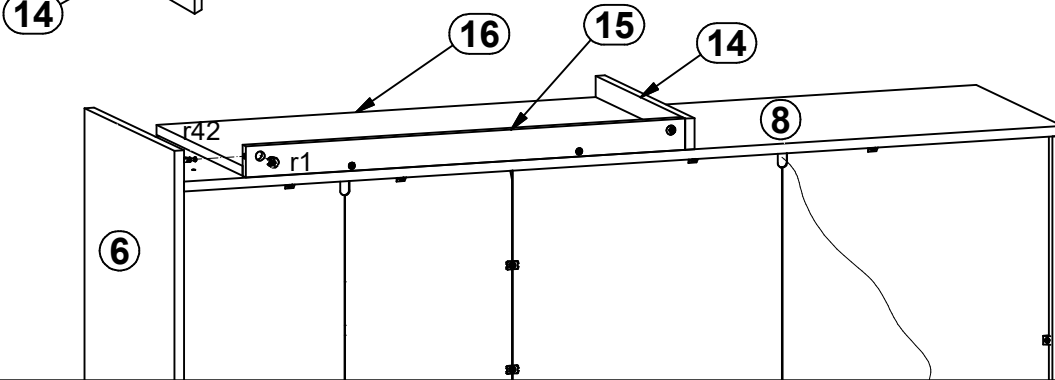
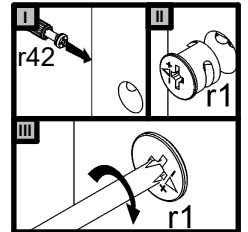
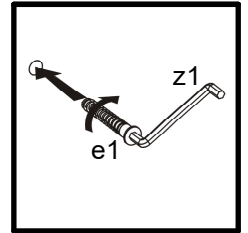
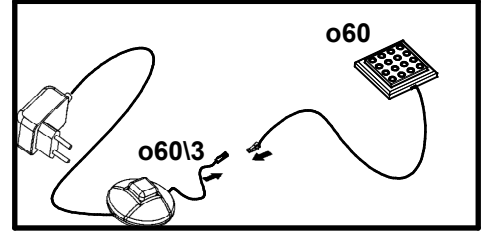


# 5

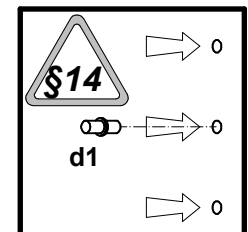
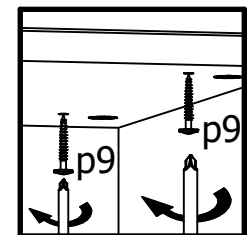
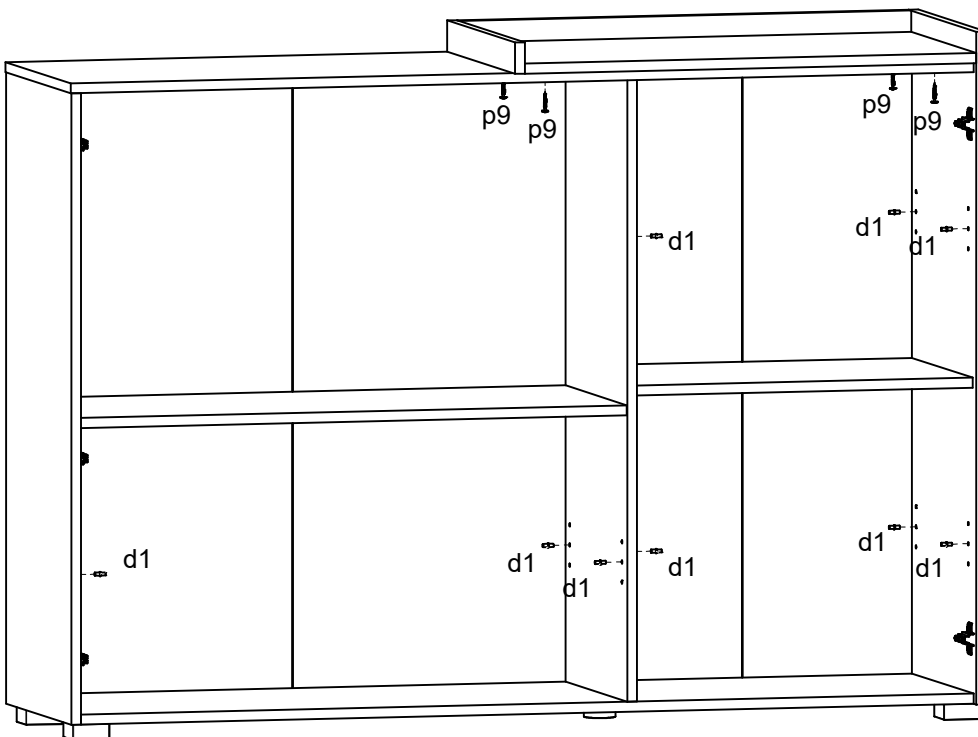
I



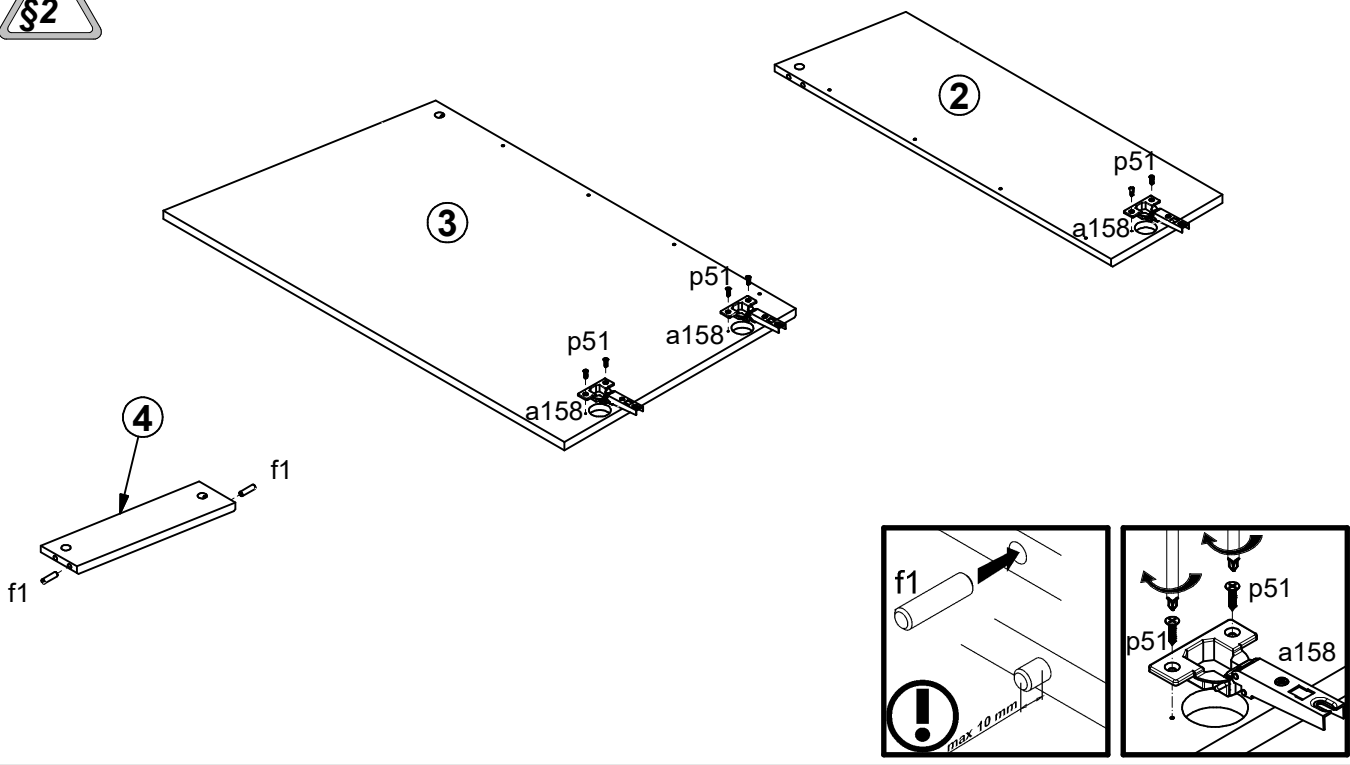
II



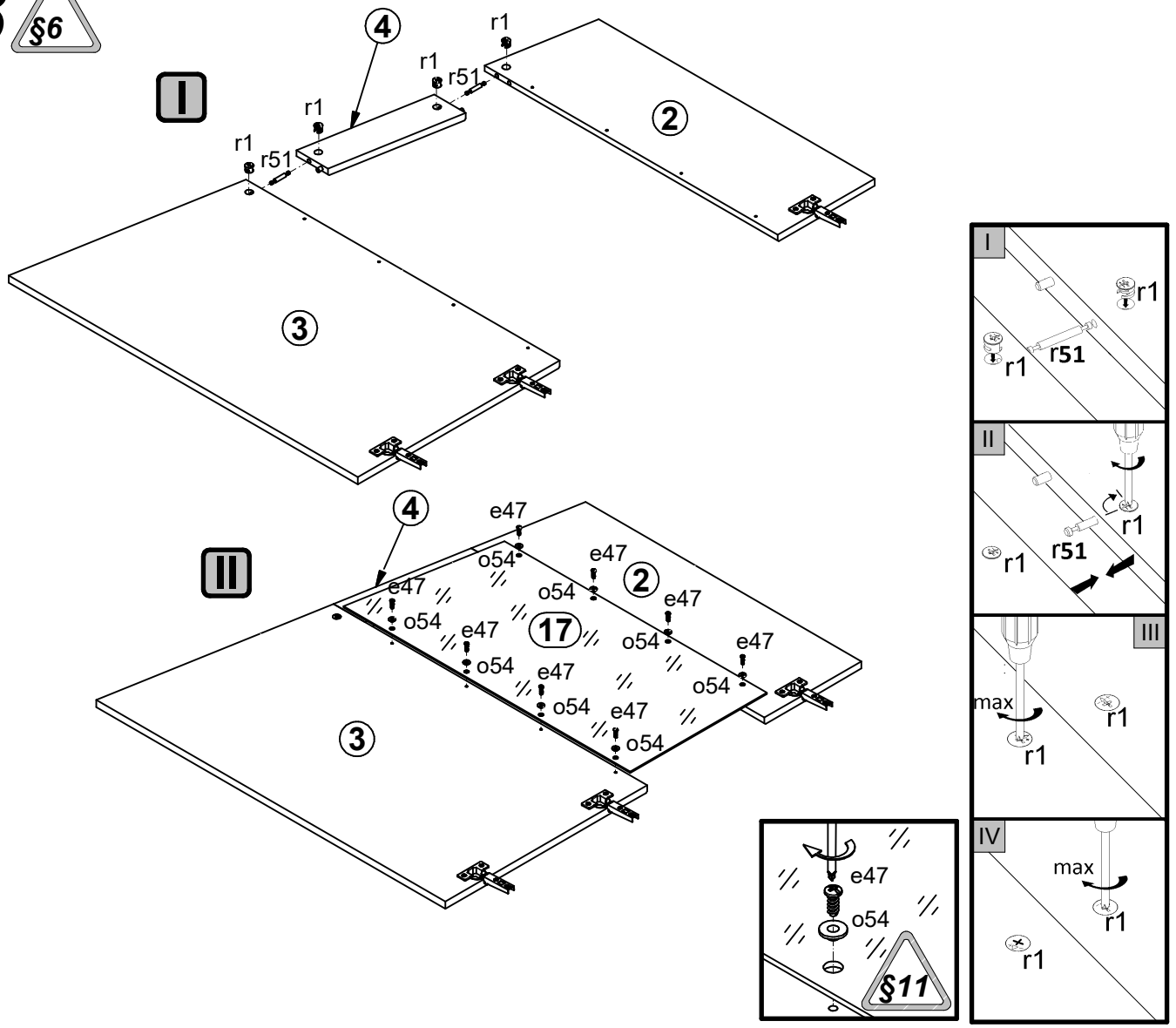
# 6



# 7



# 8



9 §11 §6

