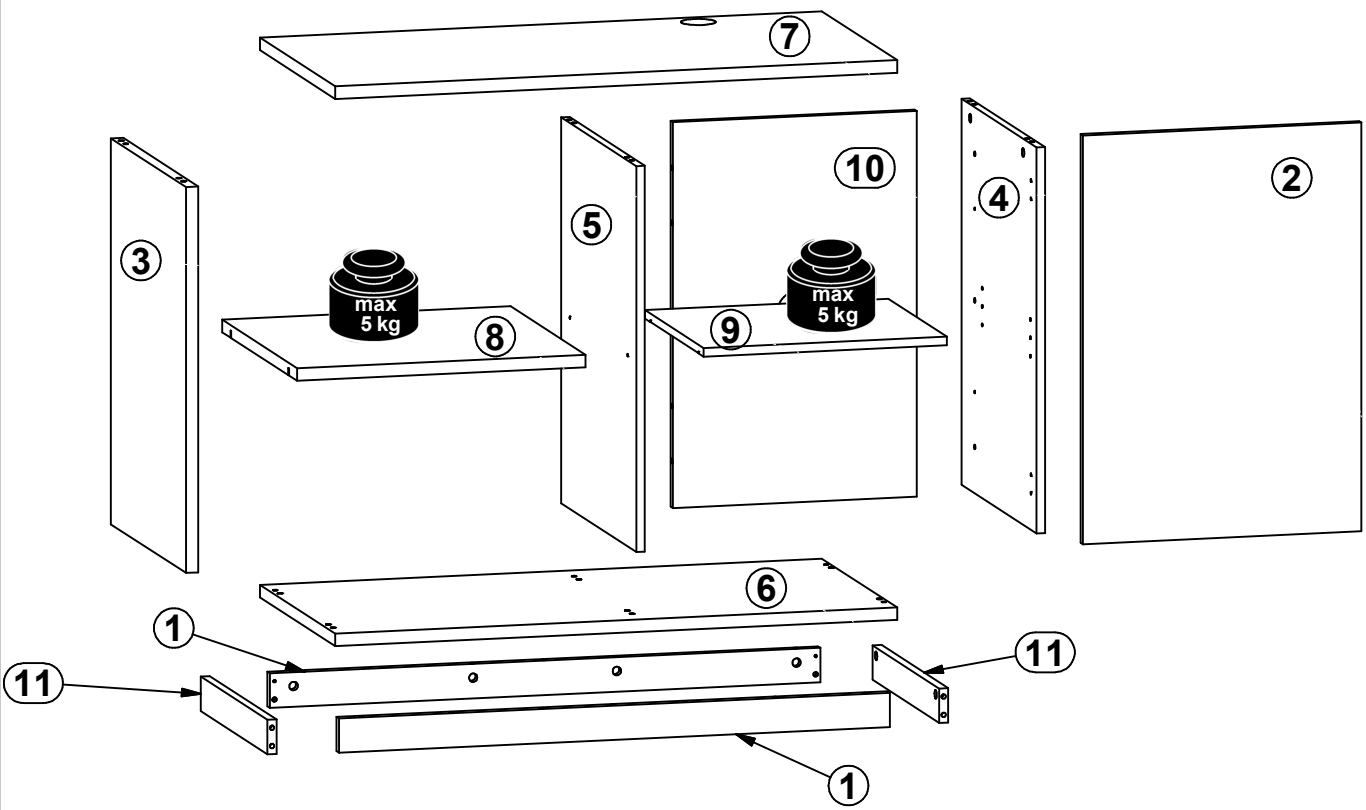
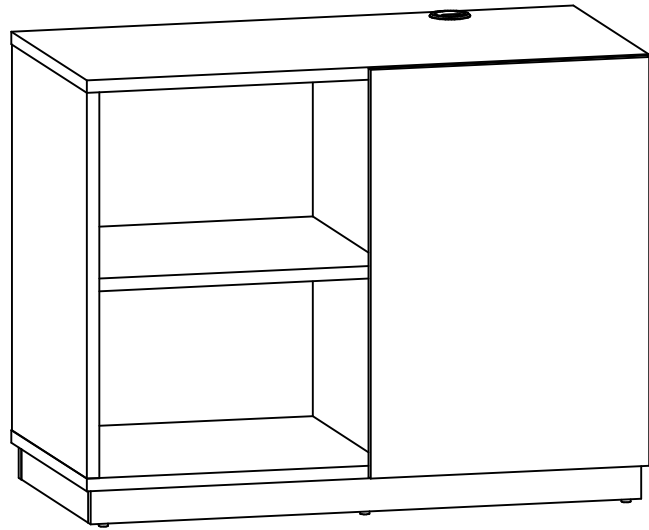
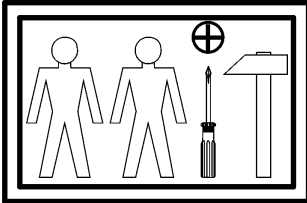
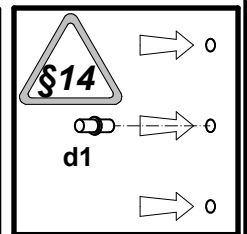
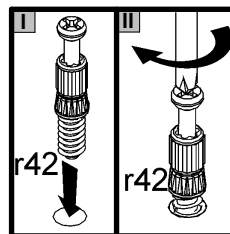
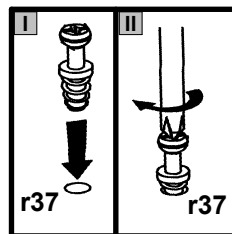
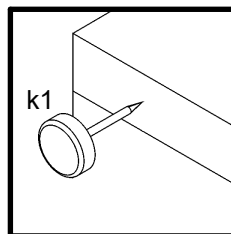
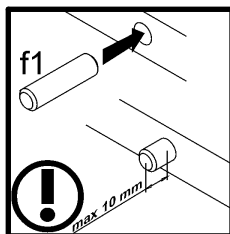
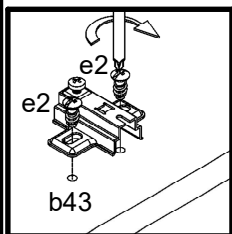
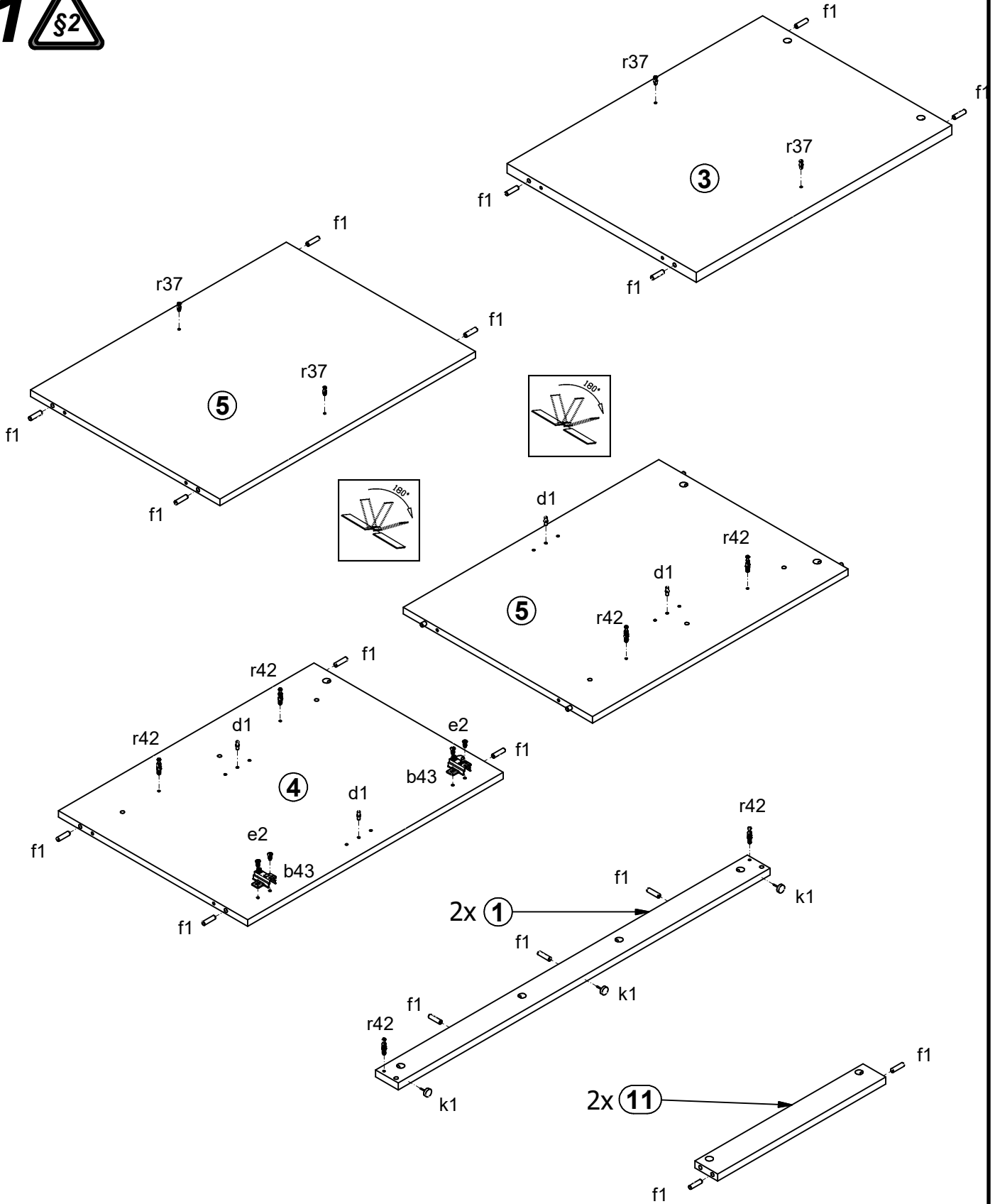


| A | B | C | D |
|----|-----------|------|-----|
| 1 | S406-4012 | 981 | 60 |
| 2 | S416-0006 | 714 | 496 |
| 3 | S416-1010 | 674 | 499 |
| 4 | S416-1011 | 674 | 499 |
| 5 | S416-1012 | 674 | 499 |
| 6 | S416-2005 | 1001 | 500 |
| 7 | S416-2006 | 1001 | 500 |
| 8 | S416-3008 | 514 | 498 |
| 9 | S416-3012 | 433 | 390 |
| 10 | S416-4005 | 674 | 434 |
| 11 | S416-4006 | 443 | 60 |

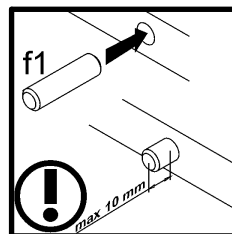
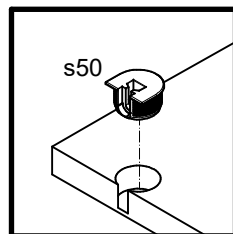
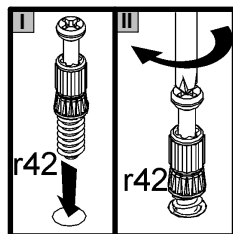
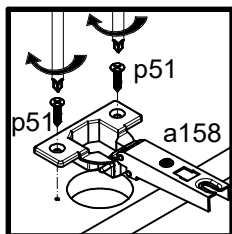
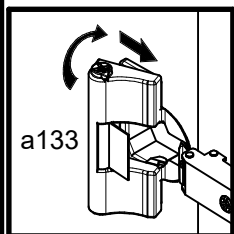
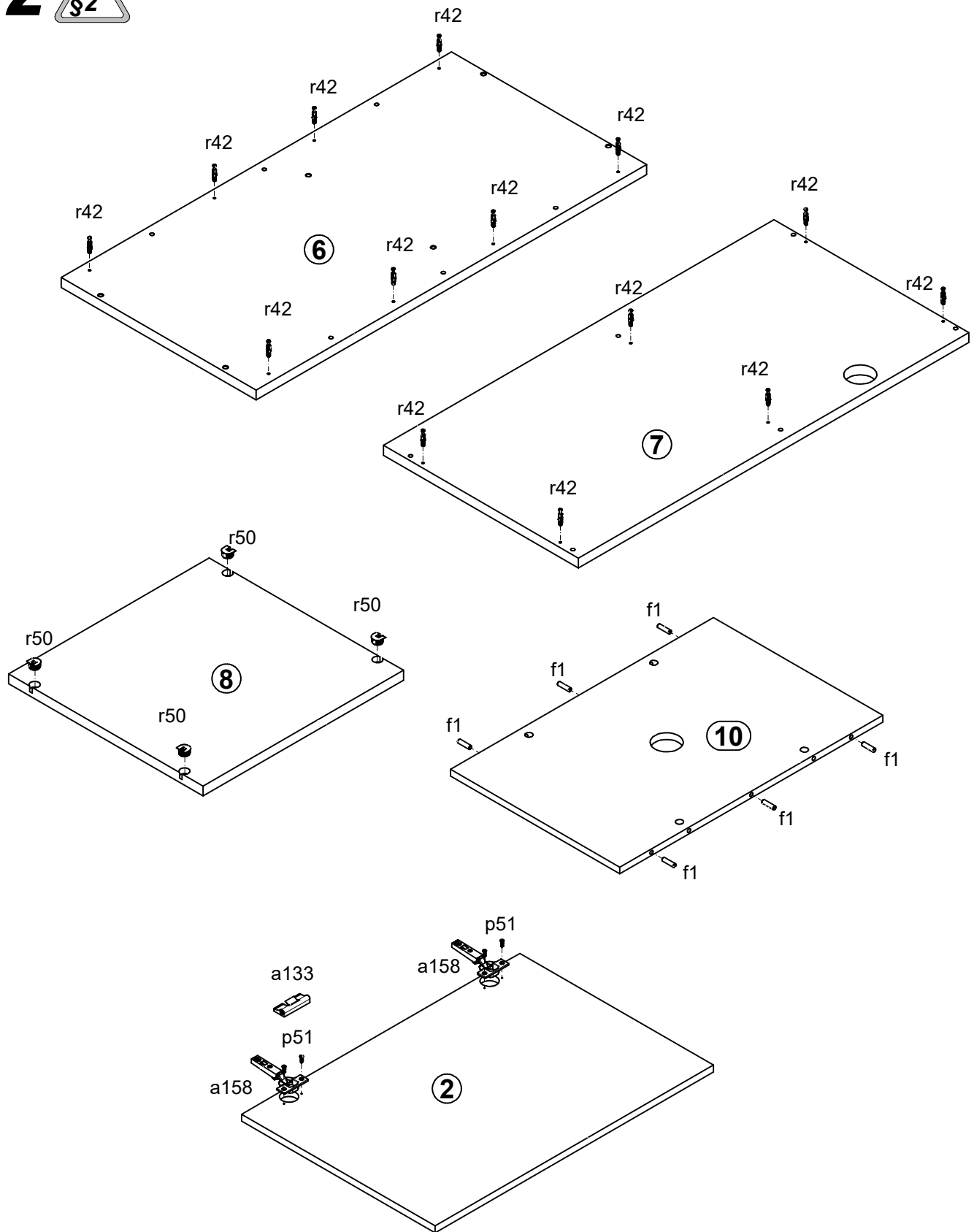


| | | | | | | | | |
|--------------------------------|--------------------------|-------------------------|--------------------------|----------------------------|--------------------------|---------------------------|---------------|-----------------------------|
| 1x a133 | 2x a158 | 2x b43 | 4x d1 Ø5x17 mm | 4x e2 Ø6.3x13 mm | 6x e8 Ø7x60 mm | 28x f1 Ø8x30 mm | 6x k1 | 4x p51 Ø3.5x15 mm |
| 22x r1 Ø15x12 mm #16 | 4x r37 6,7/7,8 | 22x r42 20/11 | 4x r50 | 2x s3 Ø60 | 10x s68 Ø 20mm | 1x z1 4 mm | 1x n26 | 1x p38 Ø3.5x16 mm |

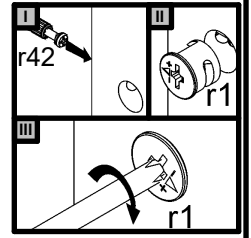
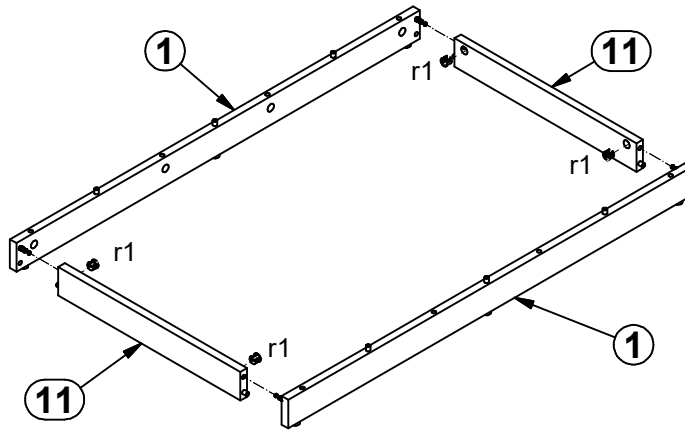
1 



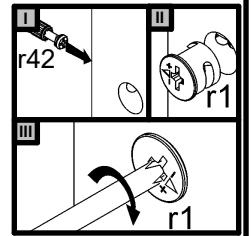
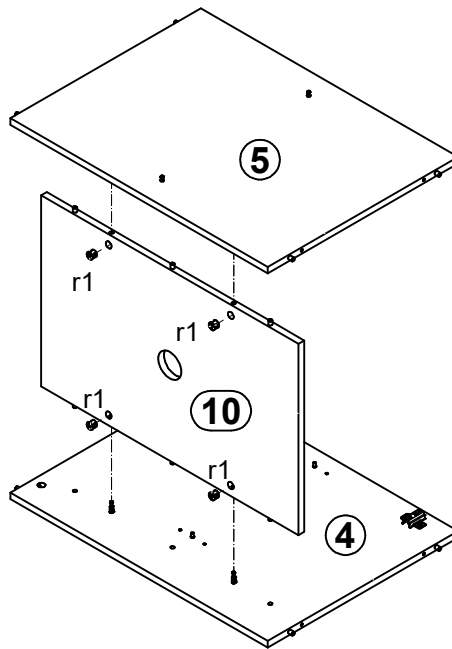
2



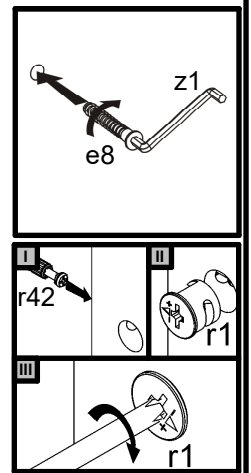
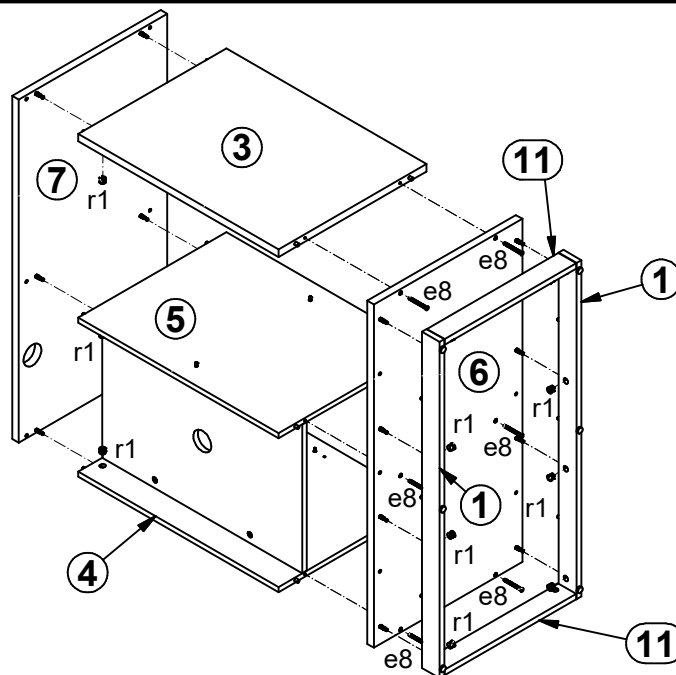
3



4



5



6

