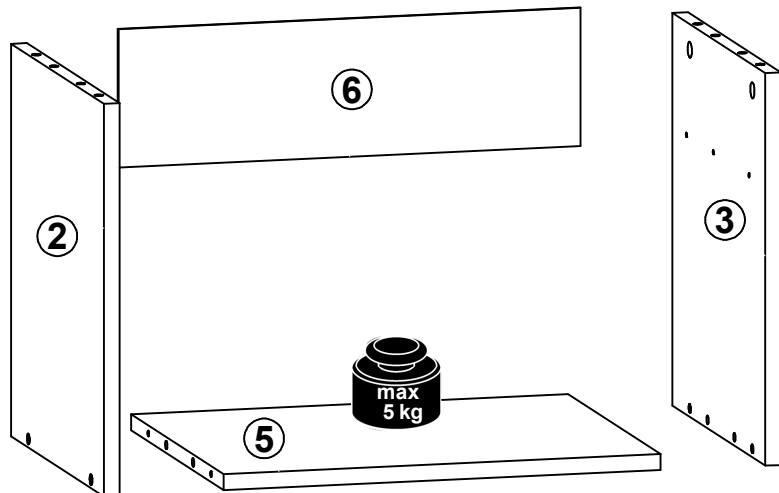
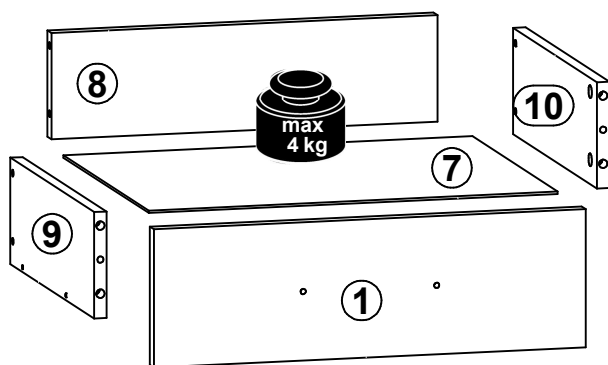
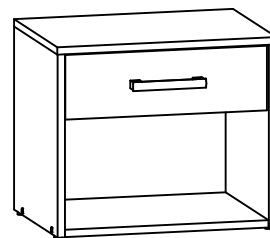
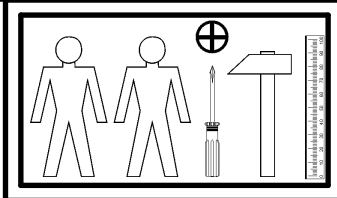
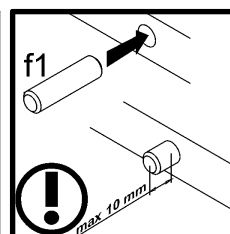
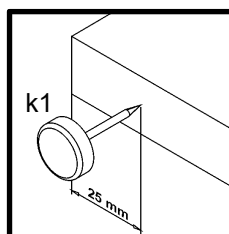
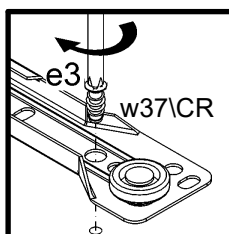
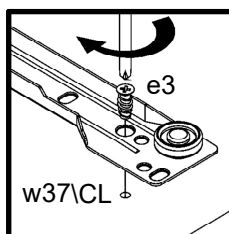
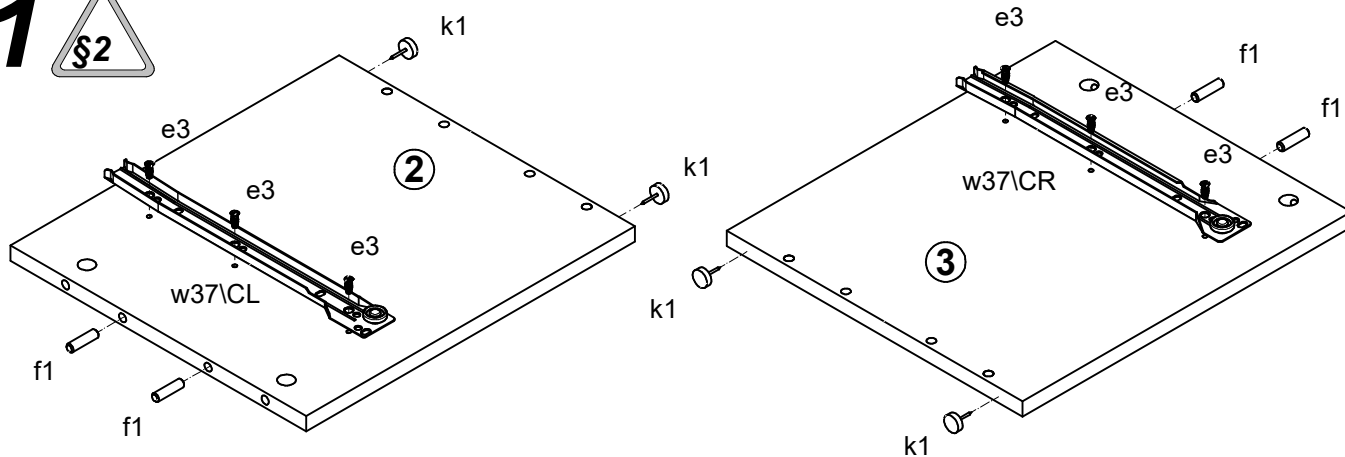


A	B	C	D
1	S414-0006	414	130
2	S414-1009	369	332
3	S414-1010	369	332
4	S414-2004	450	333
5	S414-3007	419	331
6	S414-9003	443	130
7	S414-9004	392	305
8	ZS3-5720	370	100
9	ZS4-509	300	100
10	ZS4-510	300	100

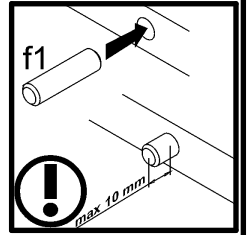
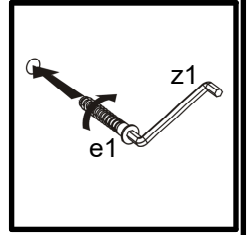
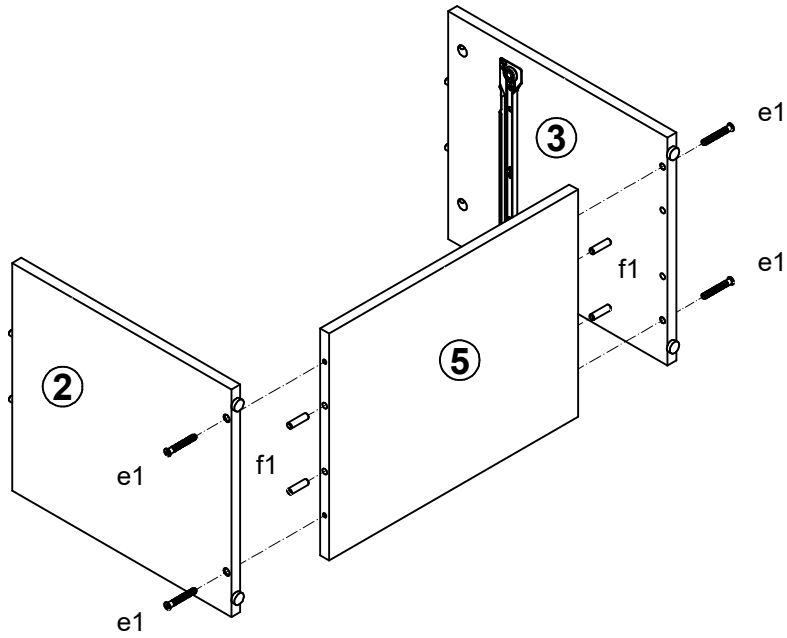


1x 128 mm <b>c197</b>	4x Ø7x50 mm <b>e1</b>	6x Ø6x13 mm <b>e3</b>	4x Ø5x9 mm <b>e19</b>	8x Ø8x30 mm <b>f1</b>	2x Ø6x30 mm <b>f9</b>	4x Ø6,5x40 mm <b>f25</b>	4x <b>k1</b>	10x 1,4x20 mm <b>l1</b>
3x Ø3,5x16 mm <b>p38</b>	2x Ø4x25 mm <b>p87</b>	4x Ø15x12 mm #16 <b>r1</b>	4x Ø12x10,5 mm #12 <b>r15</b>	8x 20/11 <b>r42</b>	1x 300 mm <b>w37\CL</b>	1x 300 mm <b>w37\CR</b>	1x 300 mm <b>w37\DL</b>	1x 300 mm <b>w37\DR</b>
4x <b>s1</b>	1x 4 mm <b>z1</b>						1x <b>n26\1</b>	1x Ø3,5x16 mm <b>p38</b>

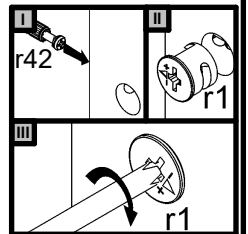
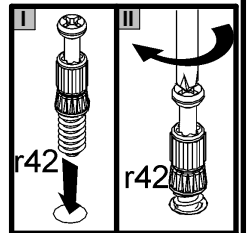
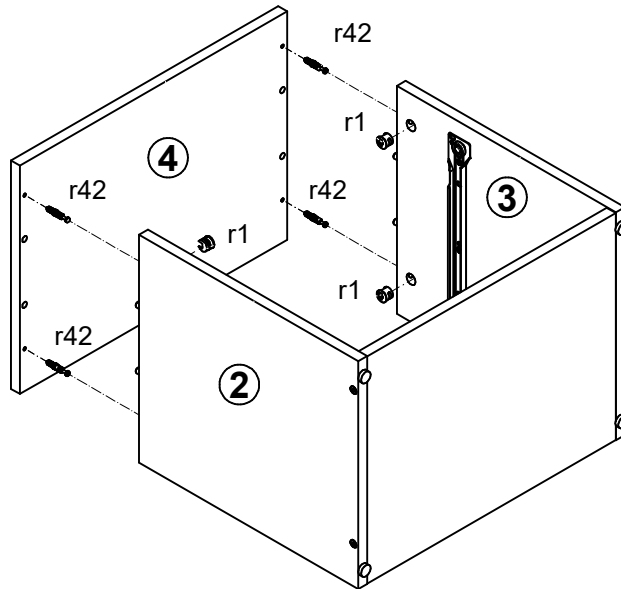
**1**



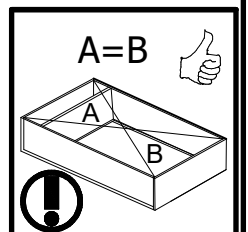
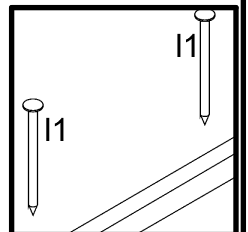
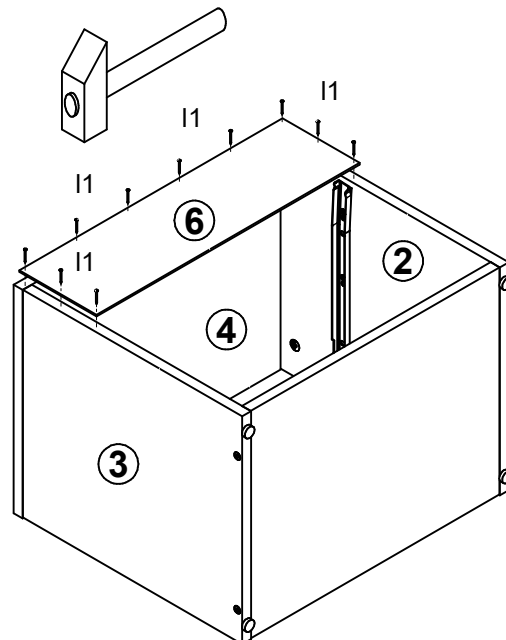
# 2



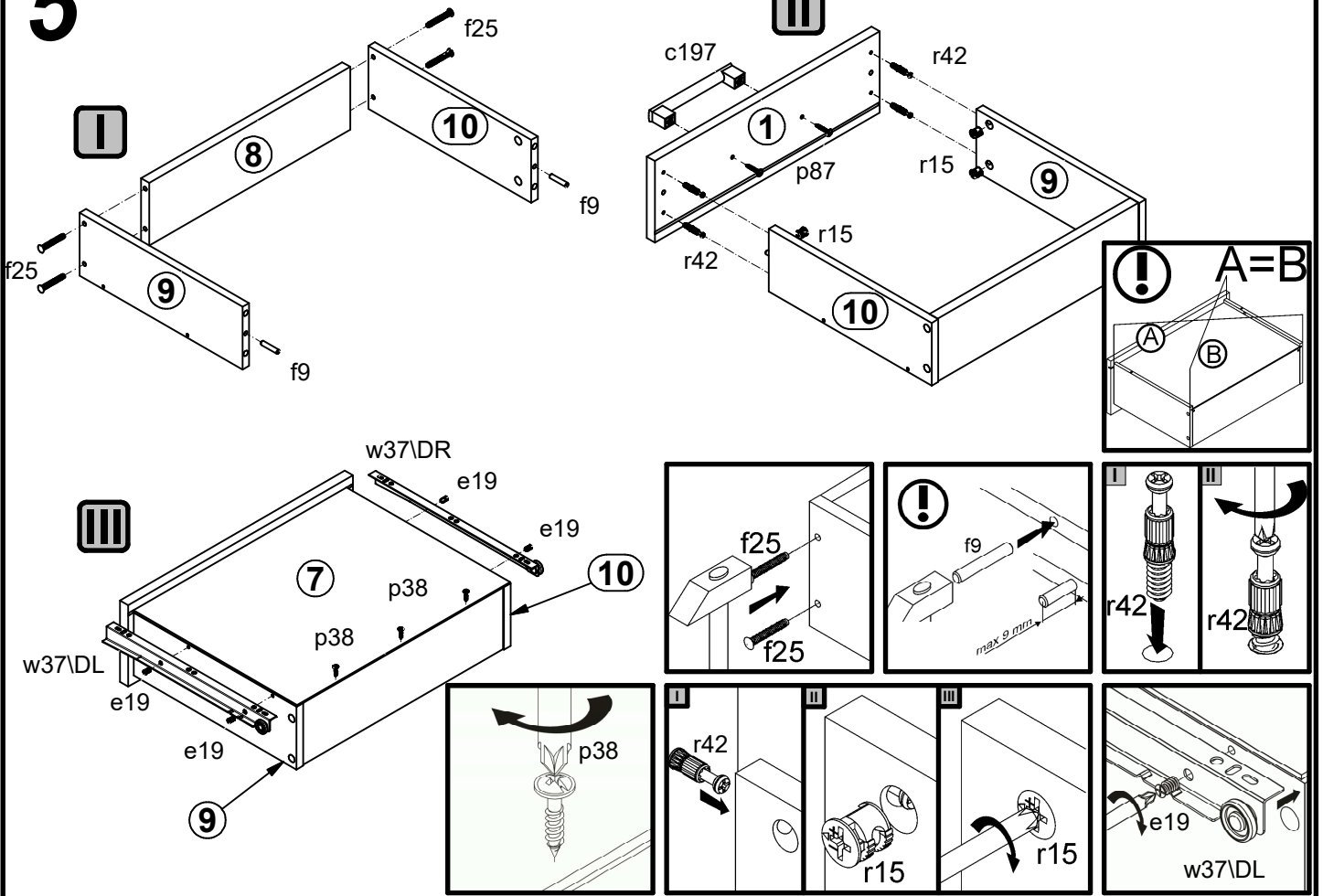
# 3



# 4



# 5



# 6

