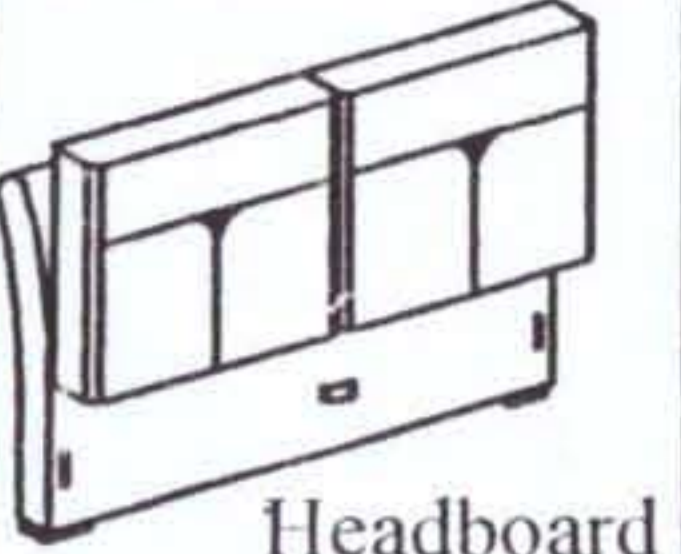
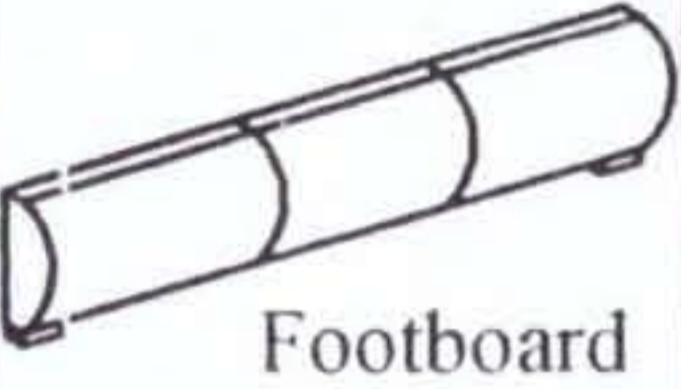






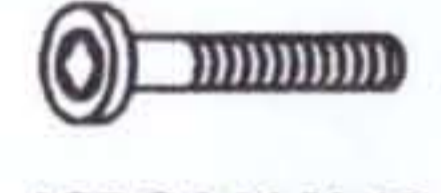




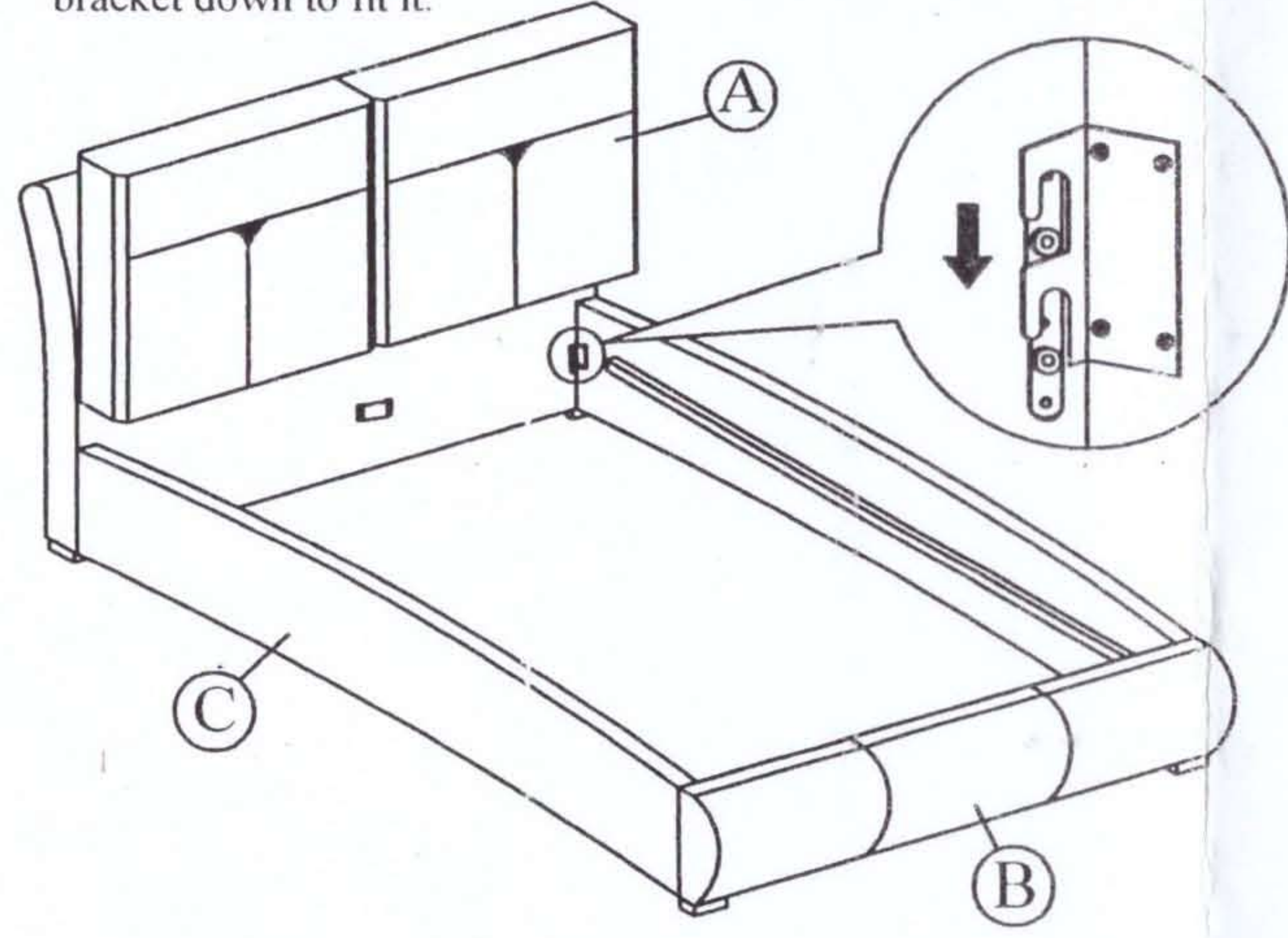


Model: CF 8085 (5'6")

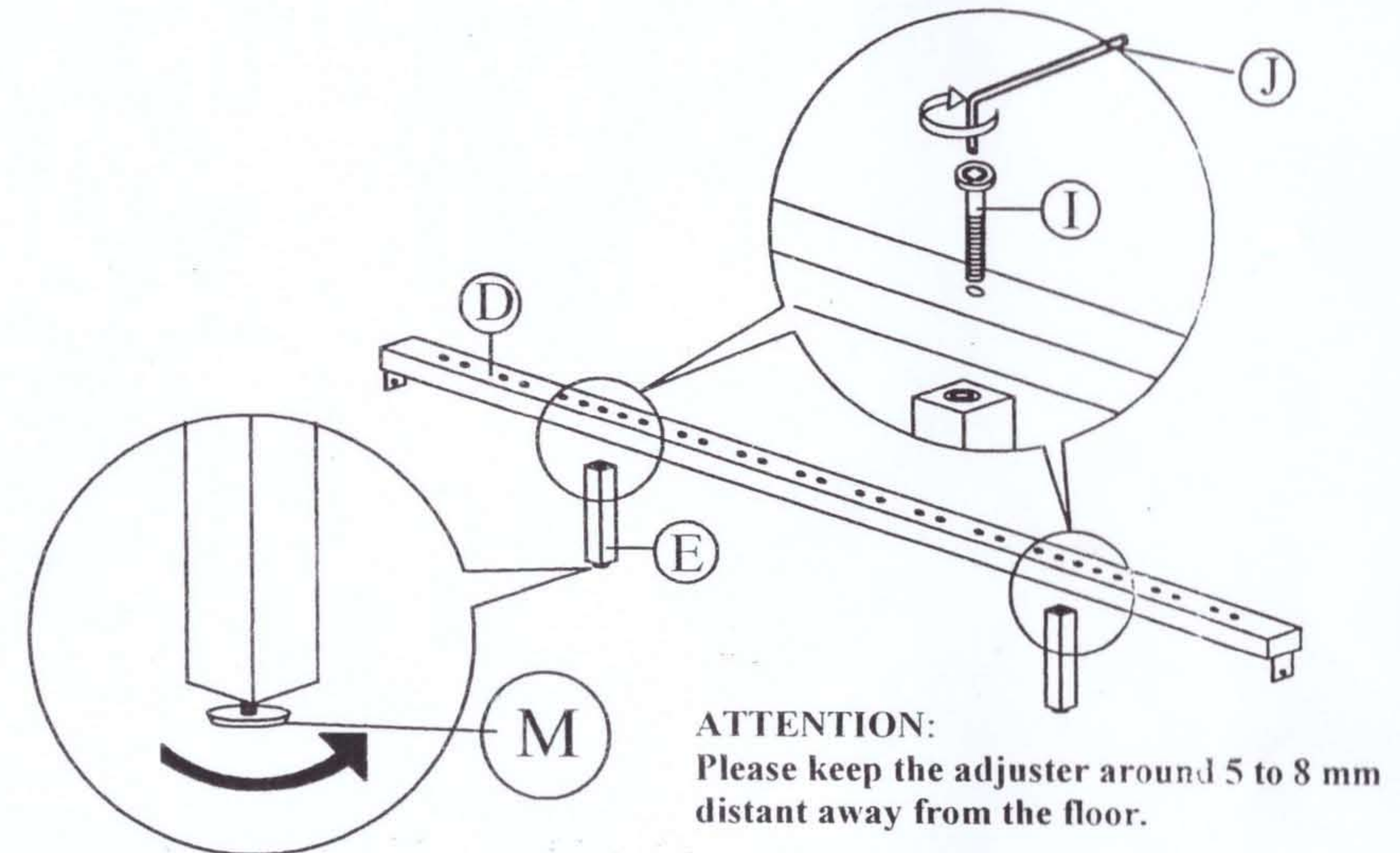
Assembly Instruction

A	 Headboard	1 pc
B	 Footboard	1 pc
C	 Siderail	2 pcs
D	 Center rail	1 pc
E	 Support Leg	2 pcs
F	 Slat	28 pcs
G	 Middle Holder	14 pcs
H	 End Holder	28 pcs
I	 JCBC M6 X 40	2 pcs
J	 M4 x 65mm	1 pc
K	 M5 x 70mm	1 pc
L	 CSK M4 x 25mm	2 pcs
M	 Adjuster	2 pcs

Step 1: Attach Side Rail (C) to Headboard (A) and Footboard (B) by pushing the bracket down to fit it.

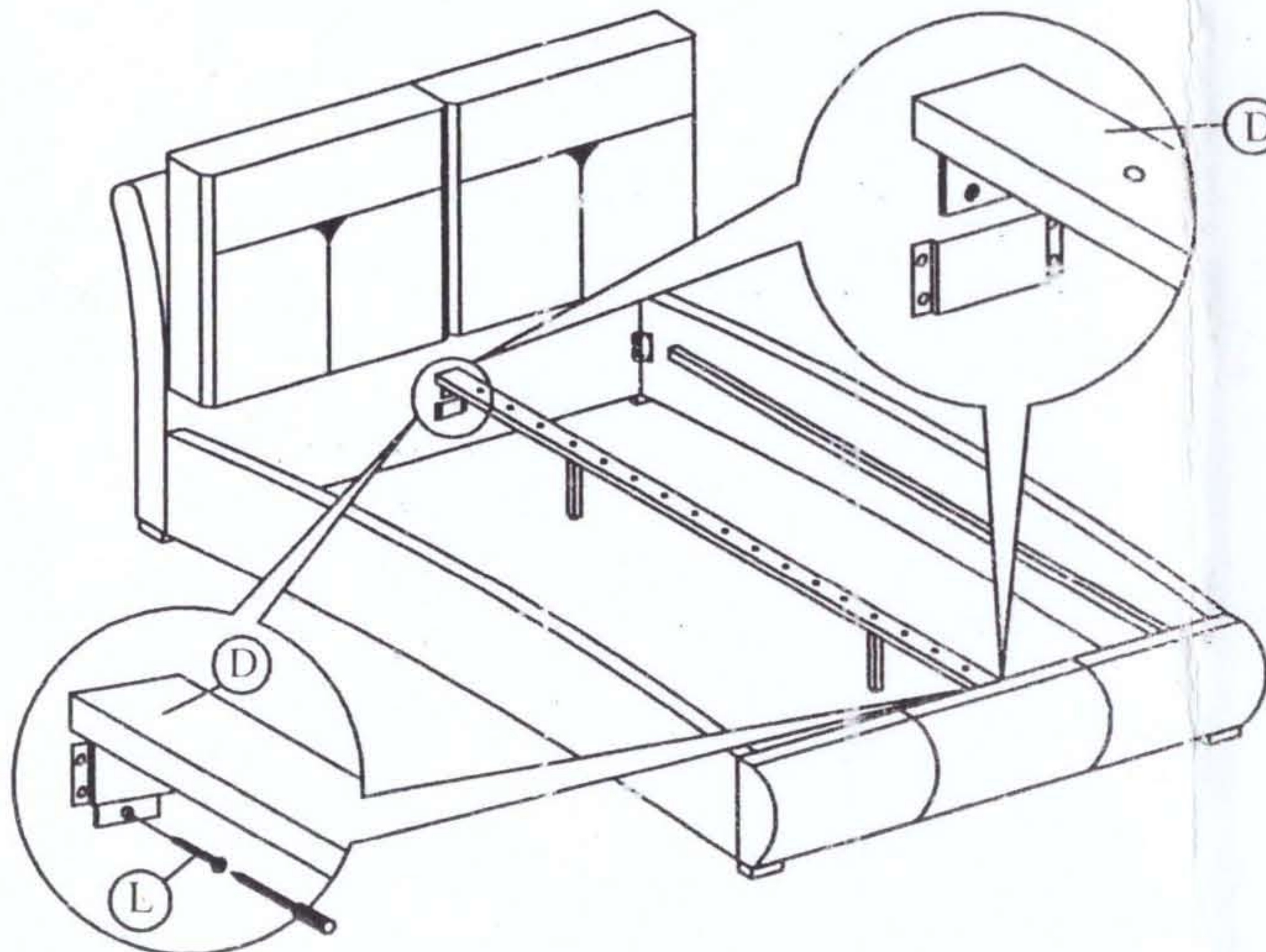


Step 2: Attach the support legs (E) to the center rail (D) of the bed as shown.



ATTENTION:
Please keep the adjuster around 5 to 8 mm distant away from the floor.

Step 3: Slide the center rail (D) to the headboard (A) and footboard (B). Tighten screws (L) using screw driver (not included) to the headboard (A) and footboard (B)



Step 4: Tighten all the 4 corner, follow by a ssembly of the slat holders with LVL slats as shown.

