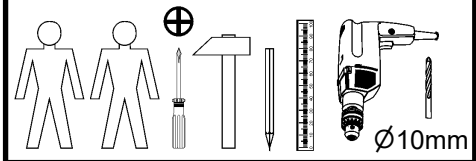
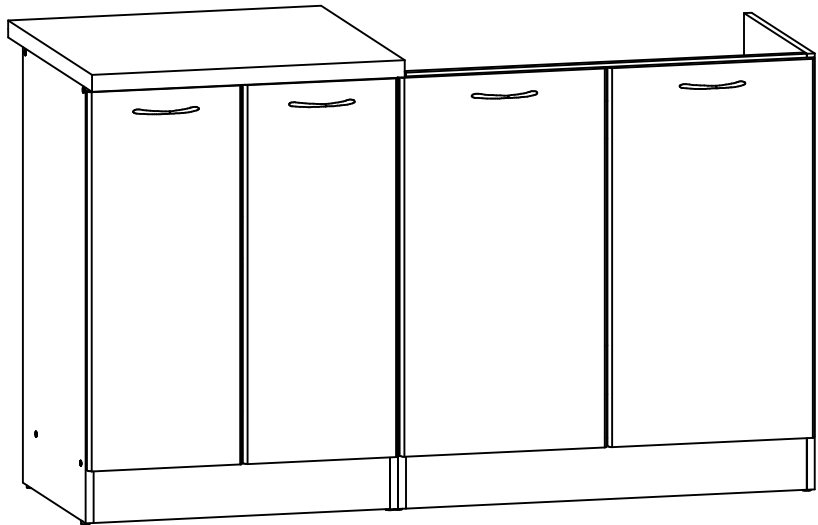
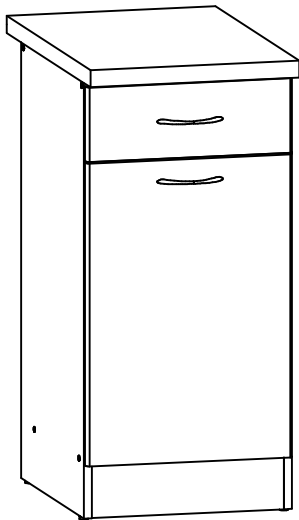
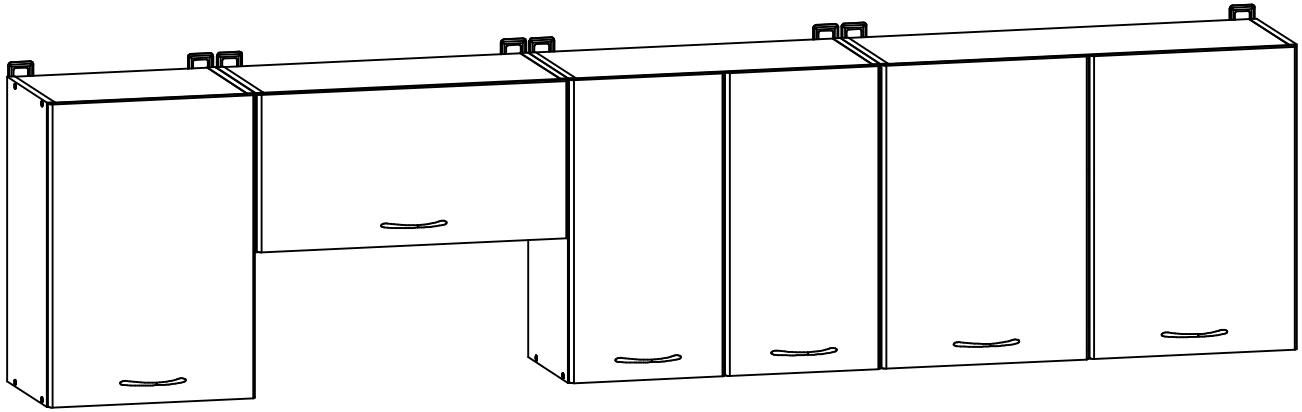
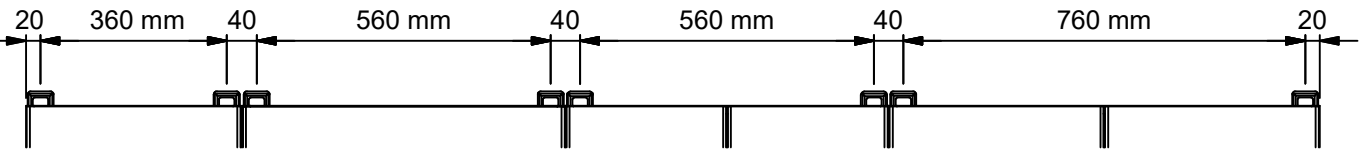


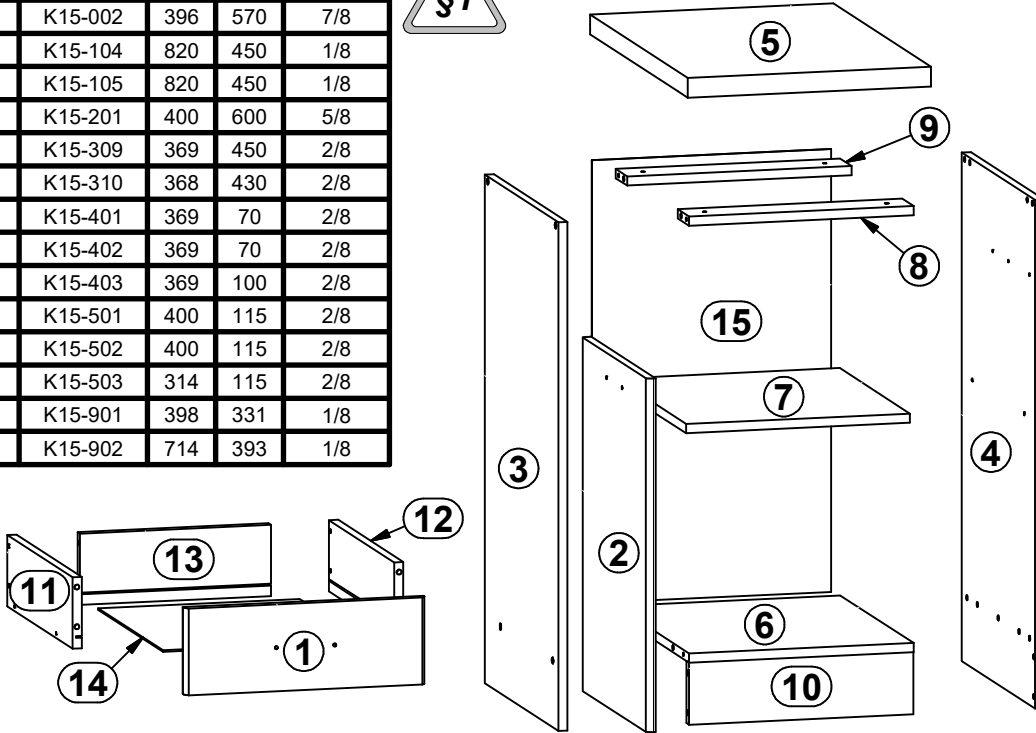
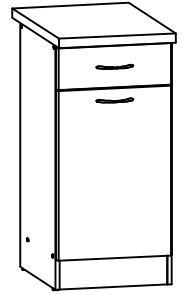
# SONIA 2



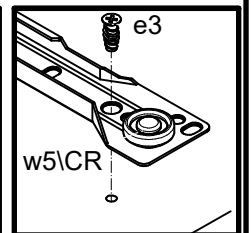
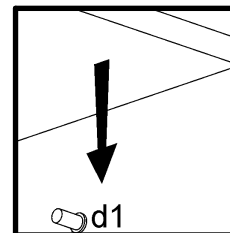
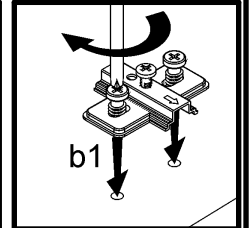
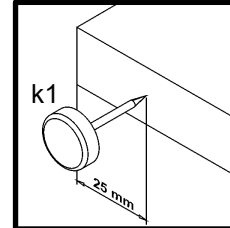
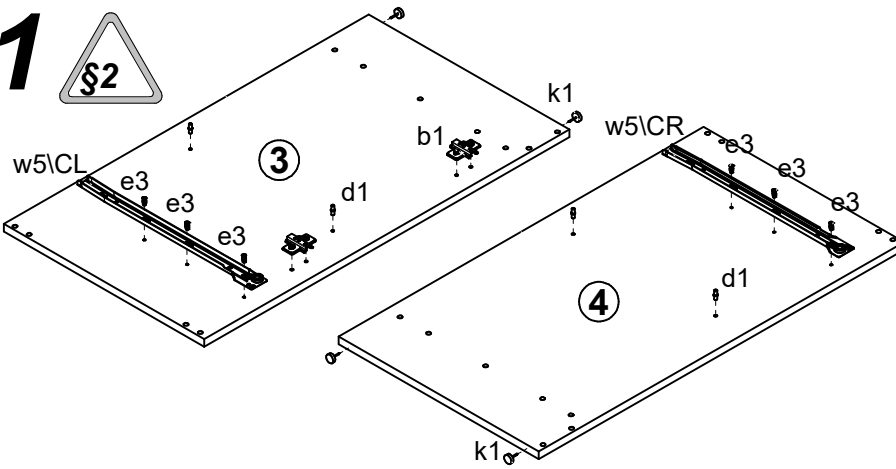
22x  a2	22x  b1	12x  c314 96 mm	20x  d1 φ5x17 mm	56x  e1 φ7x50 mm	4x  e19 φ5x9 mm	6x  e3 φ6x13 mm	62x  f1 φ8x30 mm	4x  f25 φ6.5x40 mm
8  f35 φ10x50 mm	12x  k1	160x  l1	1x  m5\1L	1x  m5\2	4x  n16\L	4x  n16\P	2x  p1 φ3.5x13 mm	32x  p16 φ3.5x25 mm
1x  p48 φ3x25 mm	8x  p75 φ6x60 mm	24x  p87 Ø4x25 mm	8x  p21 φ4x30 mm	1x  w5\CL 400 mm	1x  w5\CR 400 mm	1x  w5\DL 400 mm	1x  w5\DR 400 mm	20x  s1
1x  y1 GLUE	1x  z1							

# SONIA 2 K15-KD1D1S/40/82/A

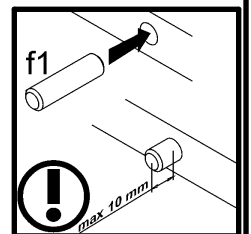
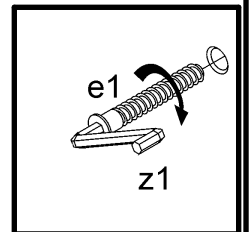
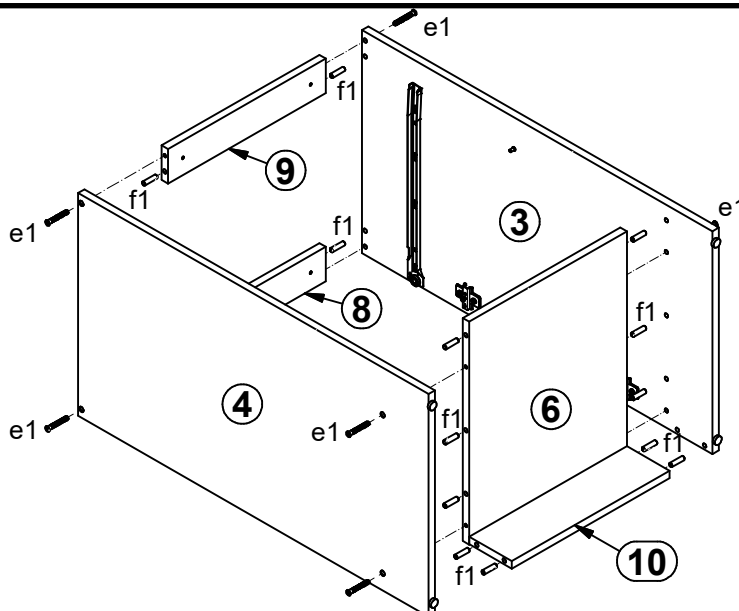
A	B	C	D	
1	K15-001	396	140	7/8
2	K15-002	396	570	7/8
3	K15-104	820	450	1/8
4	K15-105	820	450	1/8
5	K15-201	400	600	5/8
6	K15-309	369	450	2/8
7	K15-310	368	430	2/8
8	K15-401	369	70	2/8
9	K15-402	369	70	2/8
10	K15-403	369	100	2/8
11	K15-501	400	115	2/8
12	K15-502	400	115	2/8
13	K15-503	314	115	2/8
14	K15-901	398	331	1/8
15	K15-902	714	393	1/8



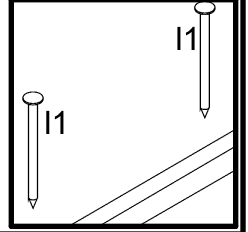
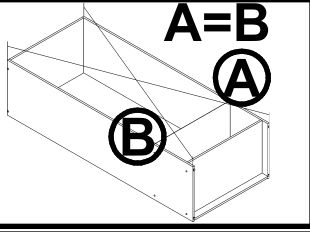
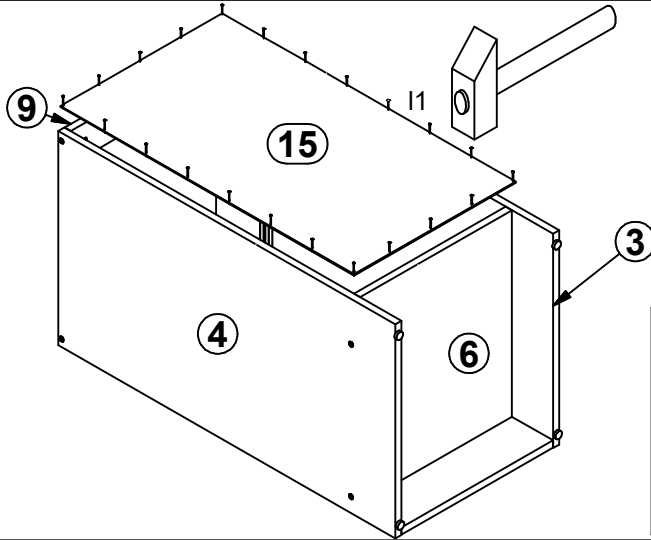
## 1 §2



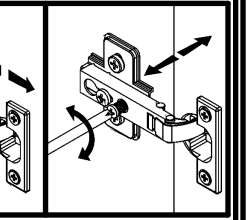
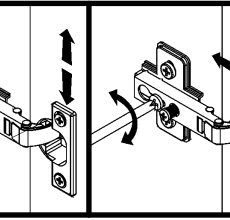
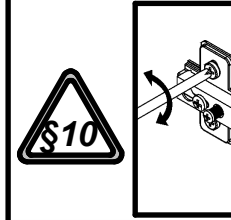
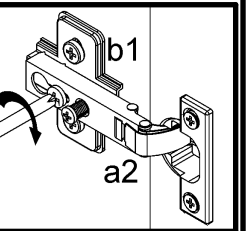
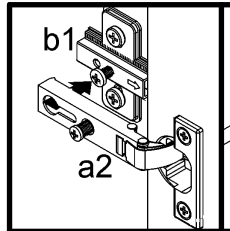
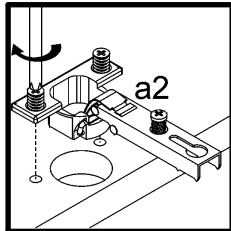
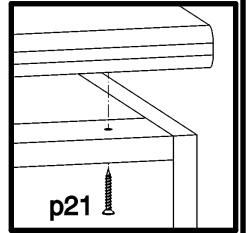
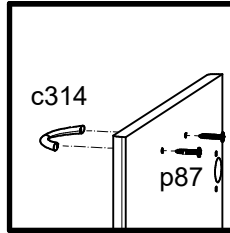
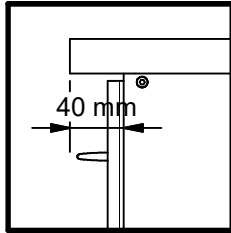
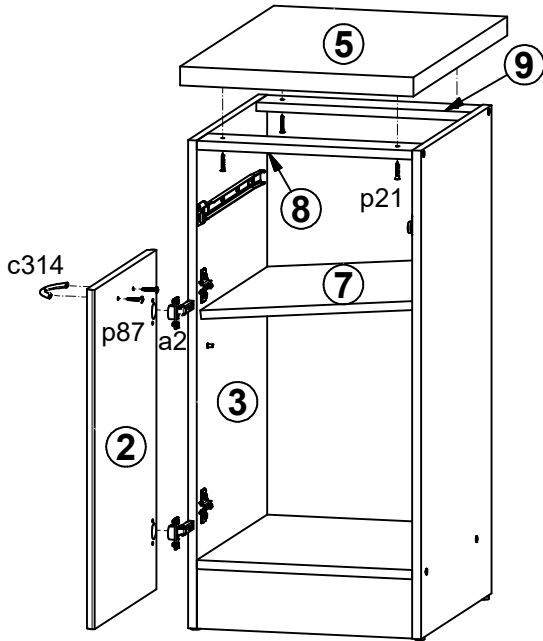
## 2 §6



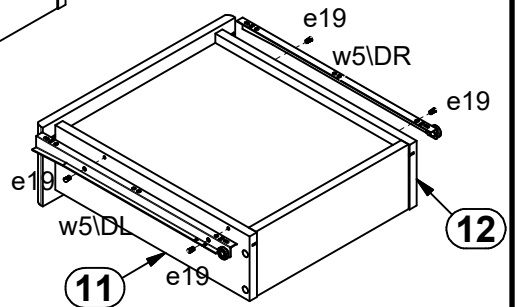
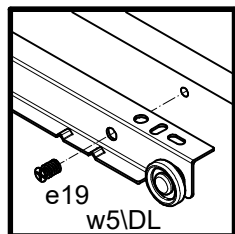
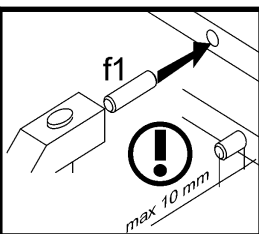
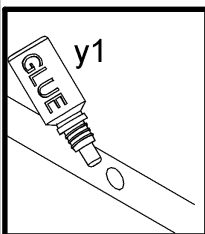
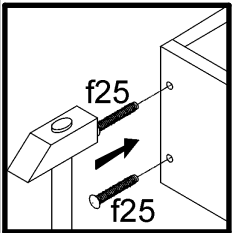
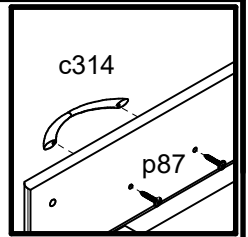
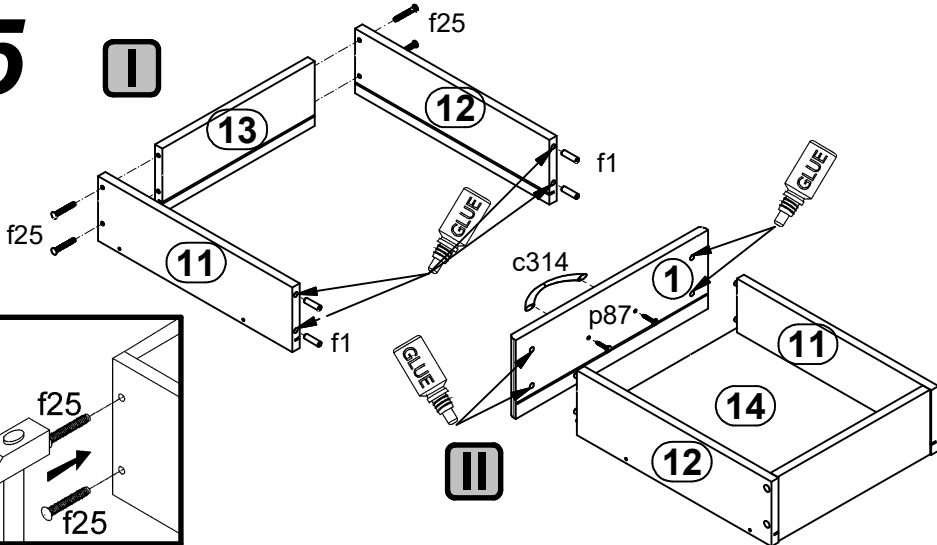
# 3



# 4



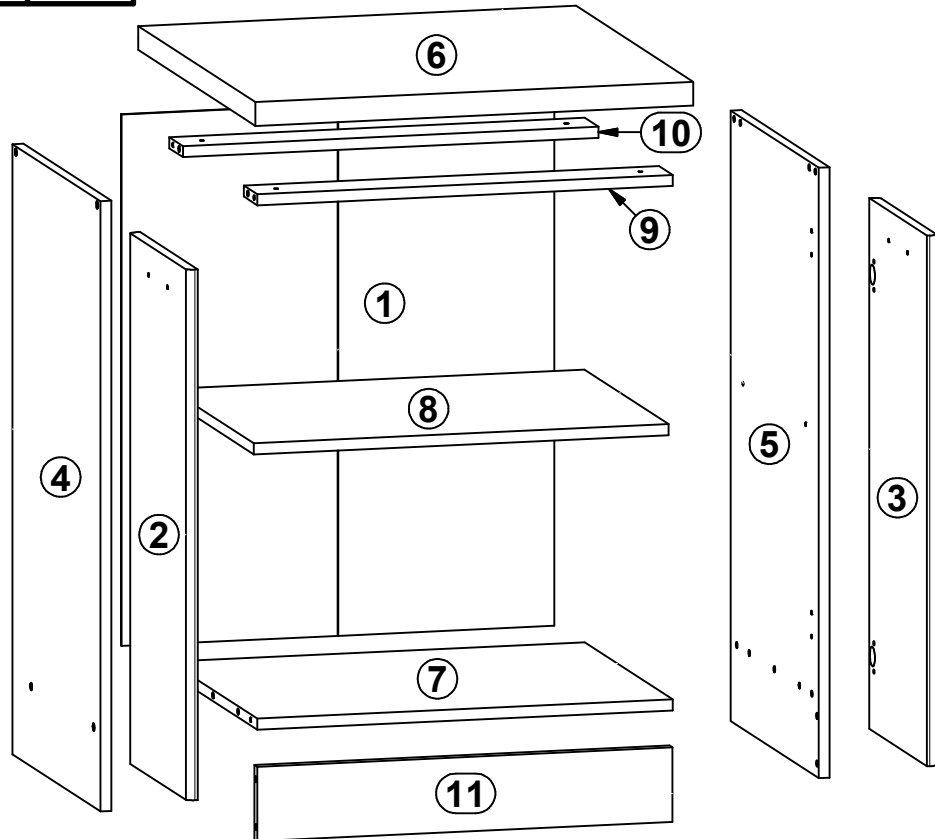
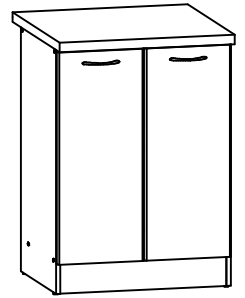
# 5



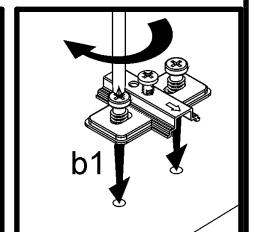
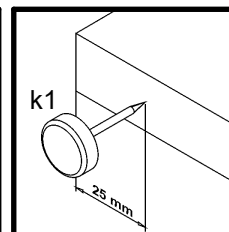
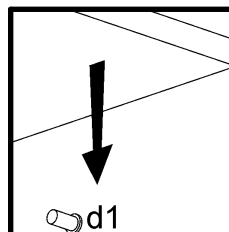
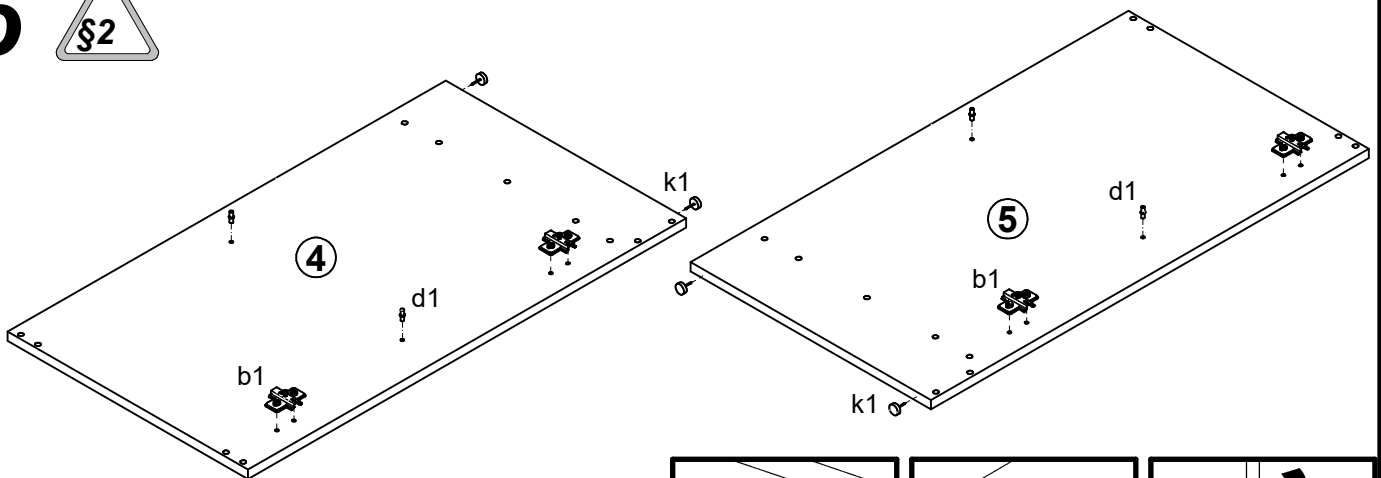
# SONIA 2

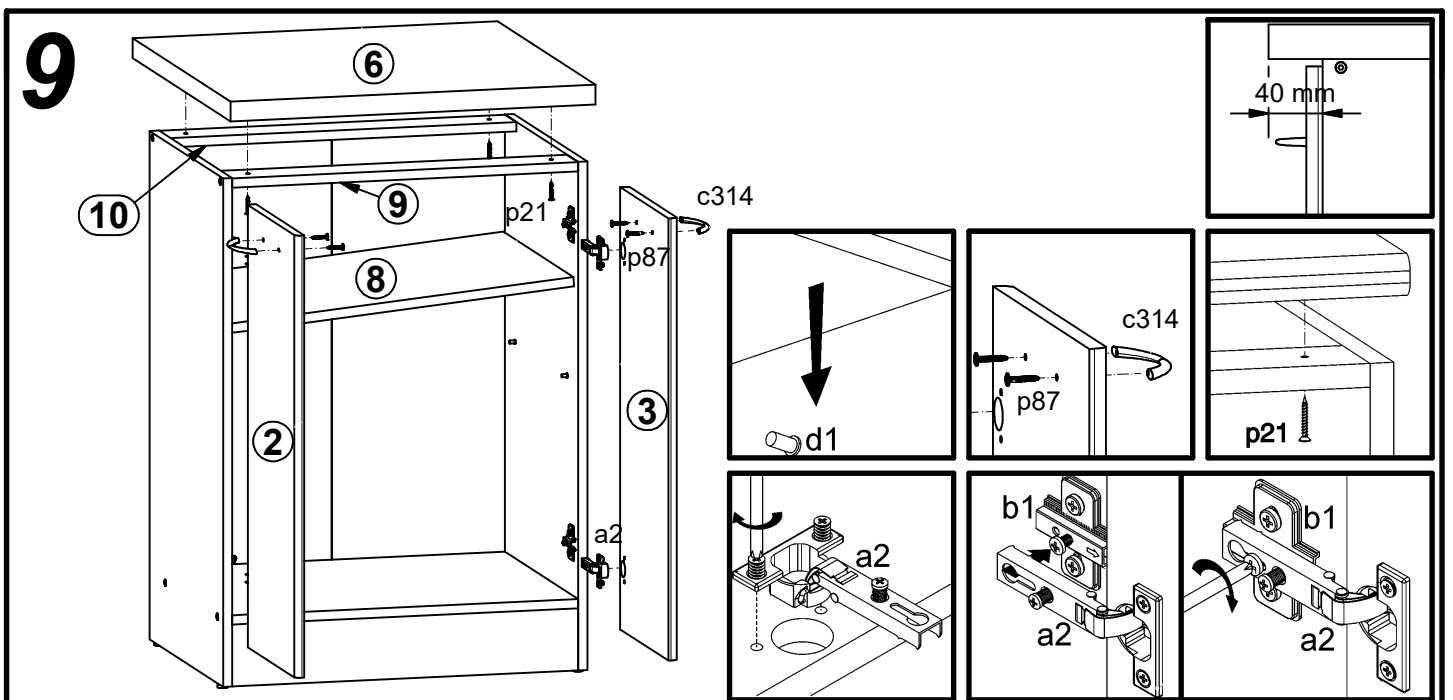
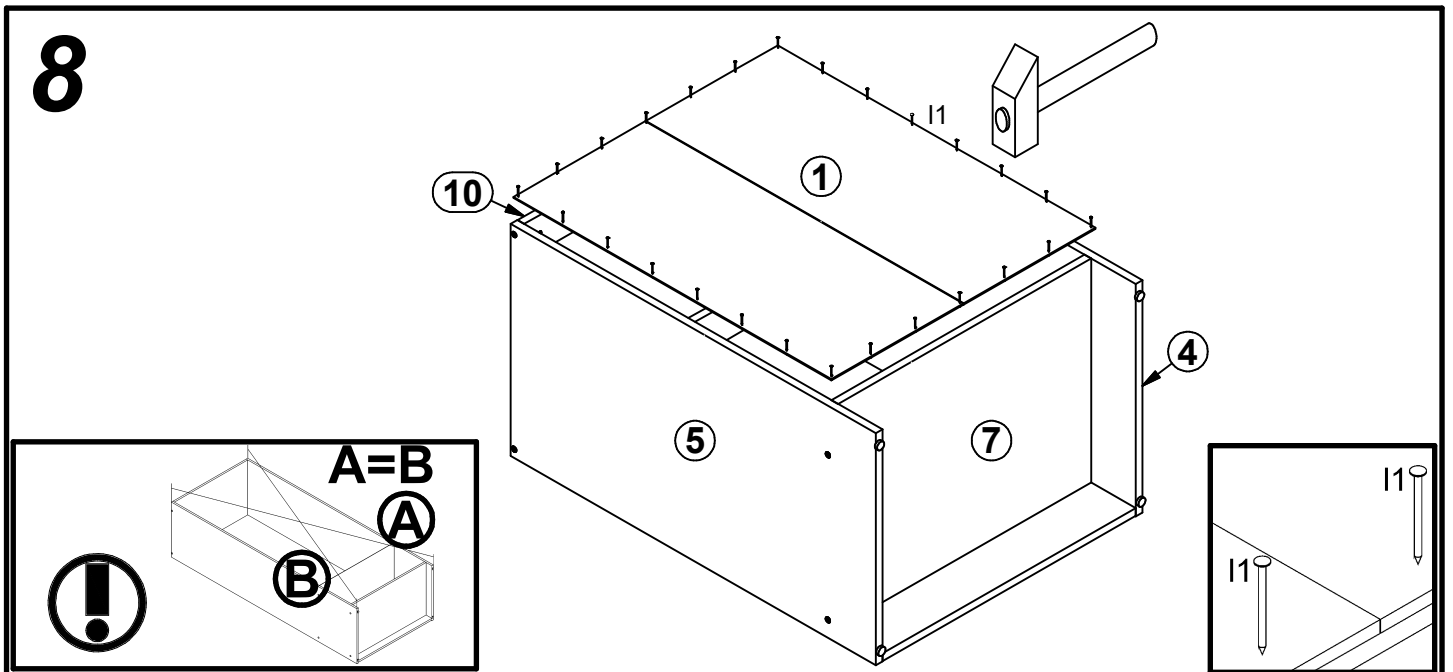
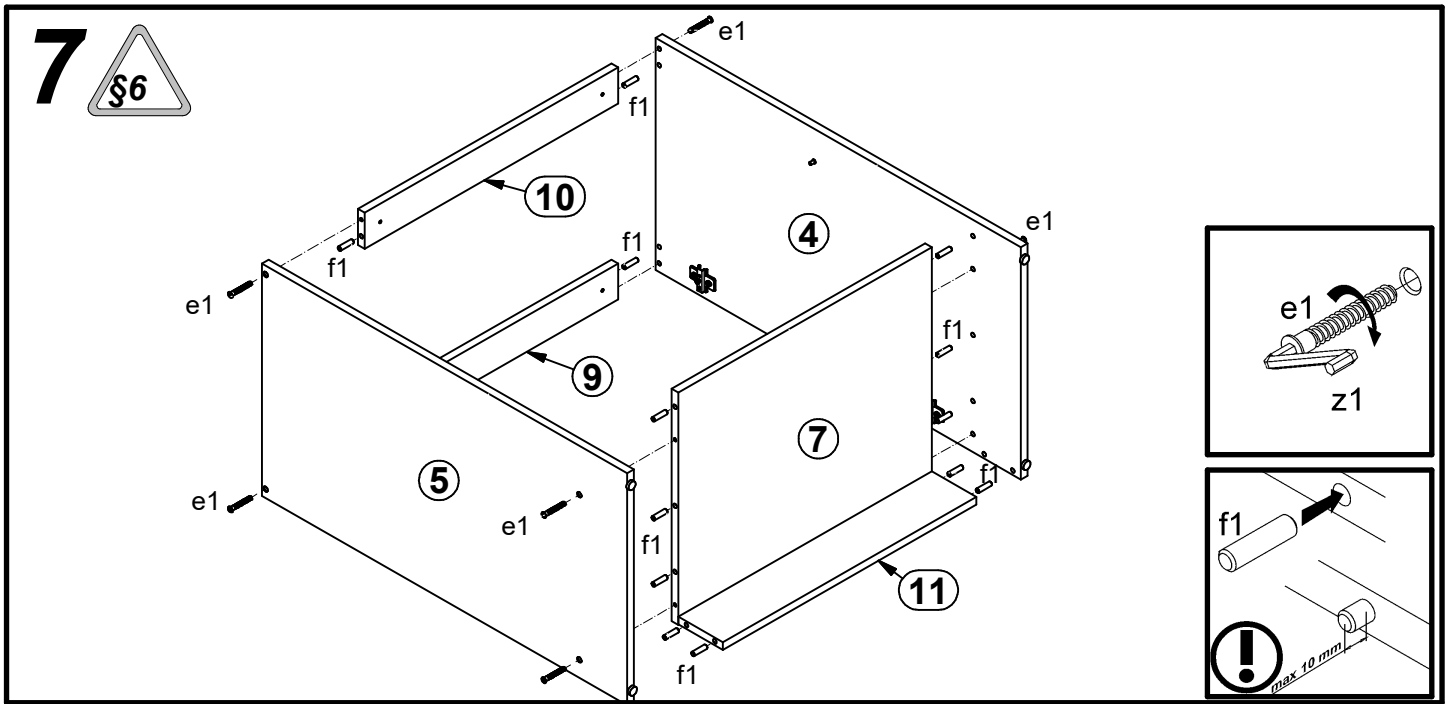
K15-KD2D/60/82/A

A	B	C		D
1	K13-907	714,	593,	1/8
2	K15-003	296	713	8/8
3	K15-004	296	713	8/8
4	K15-106	820	450	1/8
5	K15-107	820	450	1/8
6	K15-202	600	600	5/8
7	K15-311	569	450	2/8
8	K15-312	568	430	2/8
9	K15-404	569	70	3/8
10	K15-405	569	70	3/8
11	K15-406	569	100	3/8



6

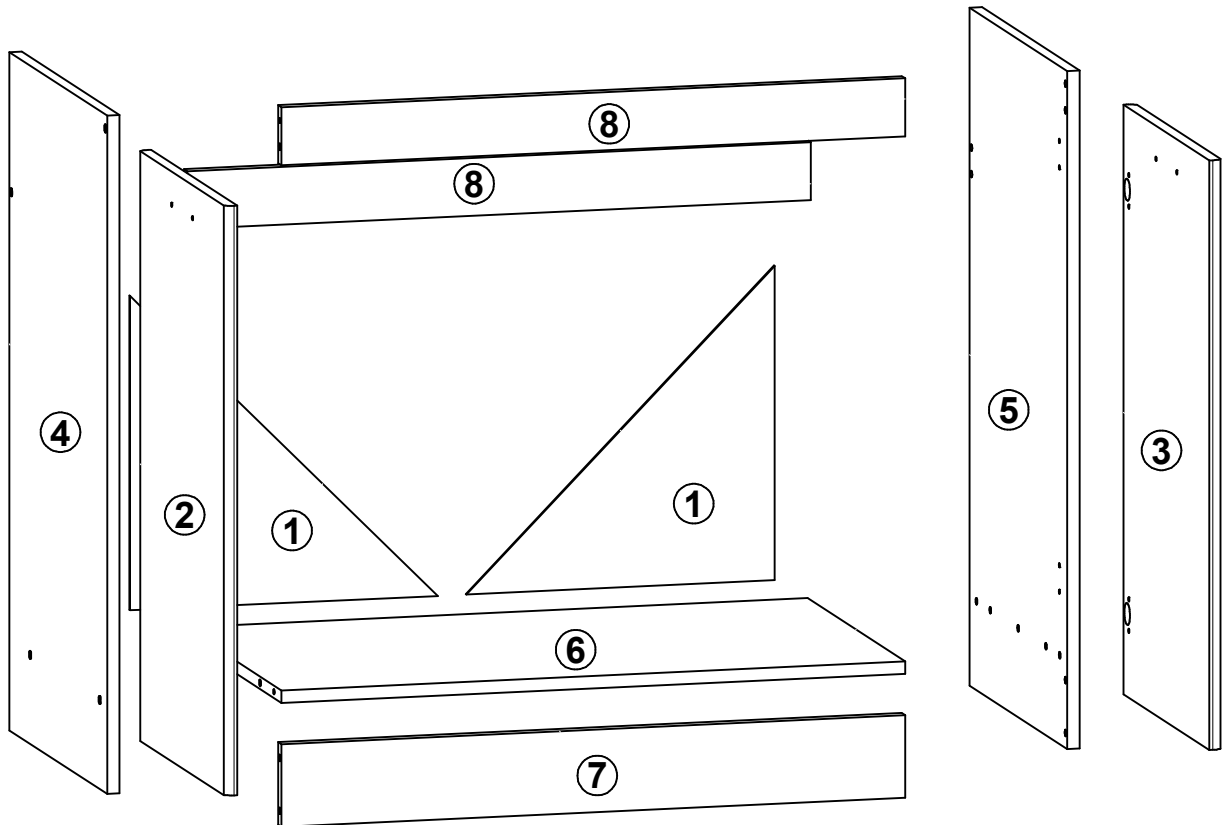
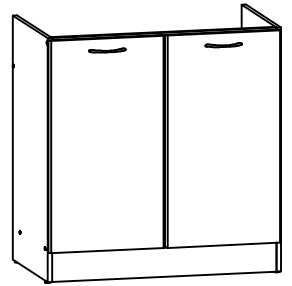




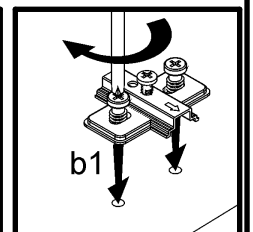
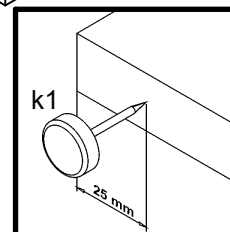
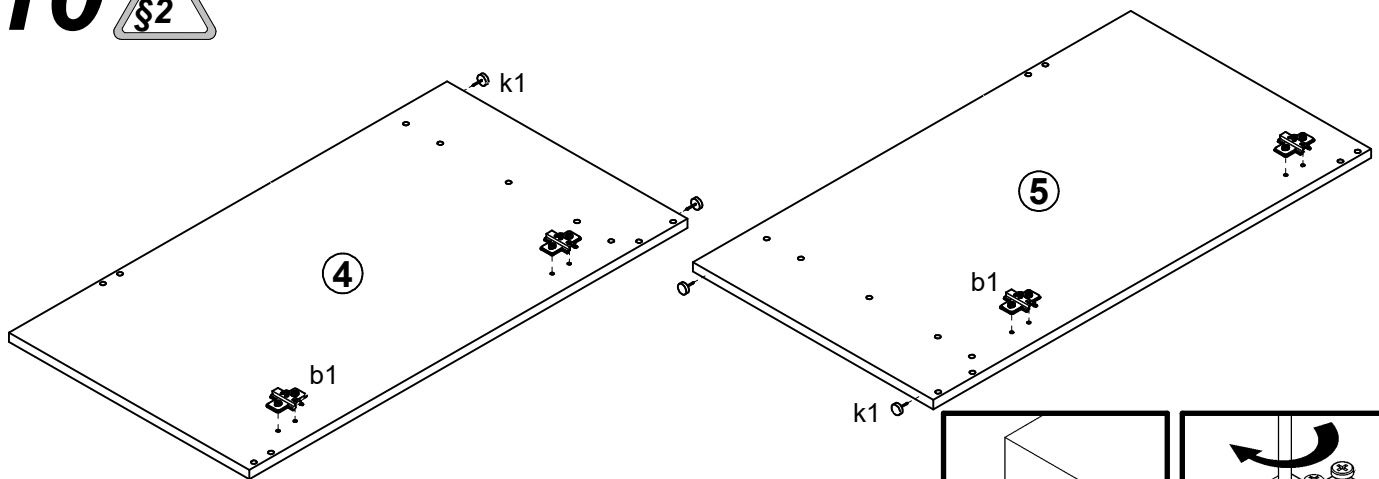
# SONIA 2

K15-KDK2D/80/82

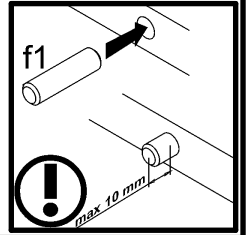
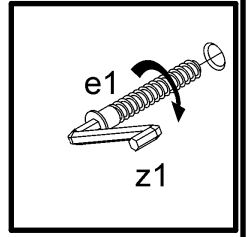
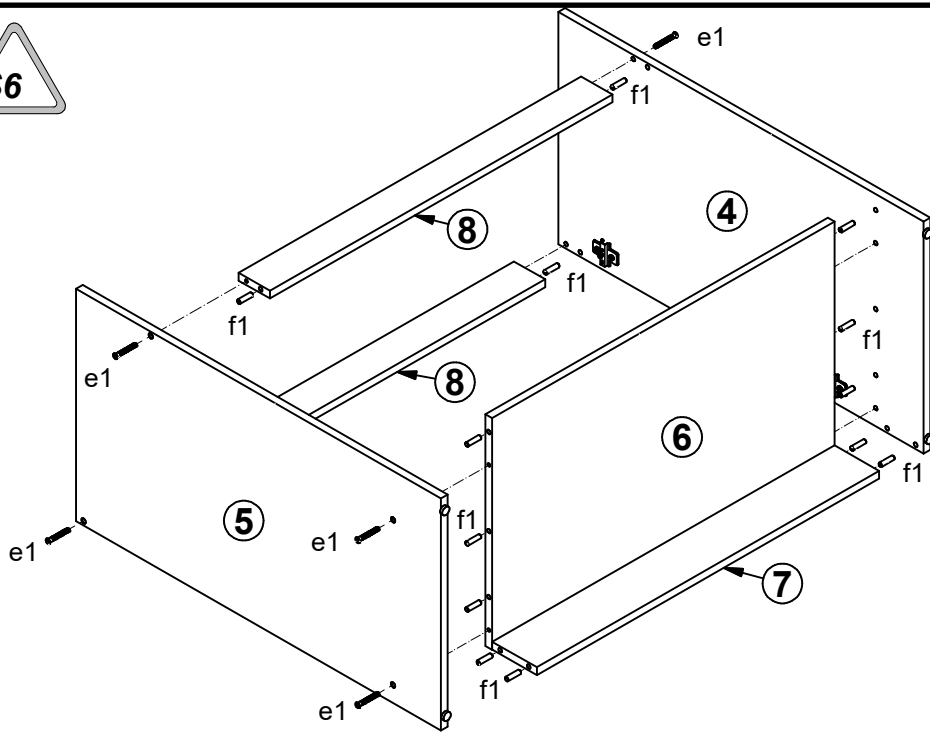
A	B	C	D
1	K13-908	380	380
2	K15-005	396	713
3	K15-006	396	713
4	K15-108	820	450
5	K15-109	820	450
6	K15-308	769	450
7	K15-407	769	100
8	K15-408	769	70



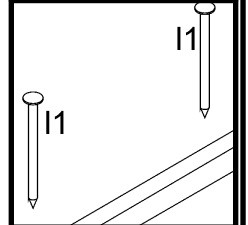
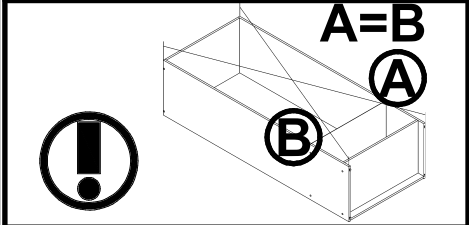
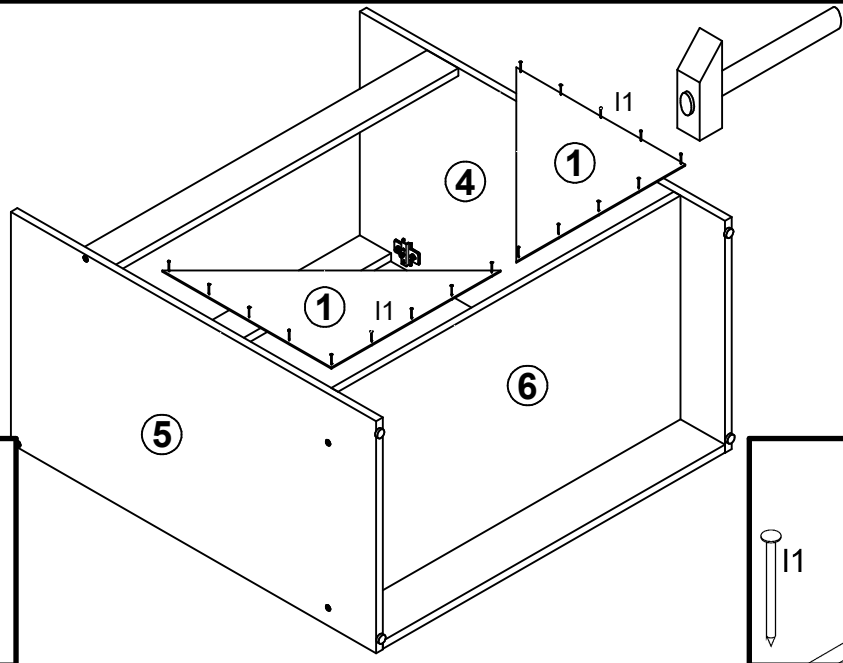
## 10



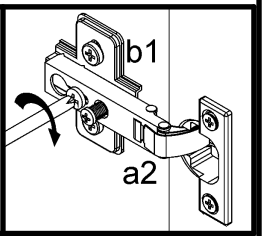
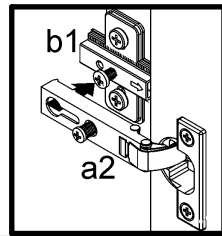
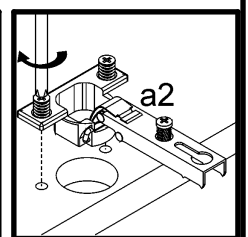
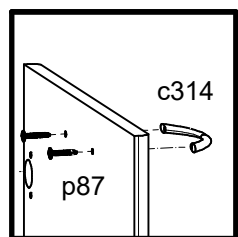
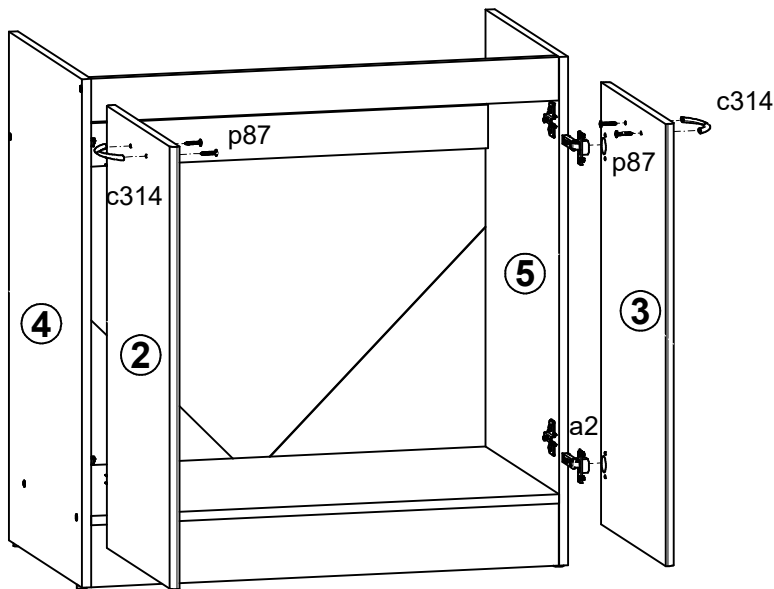
# 11



# 12



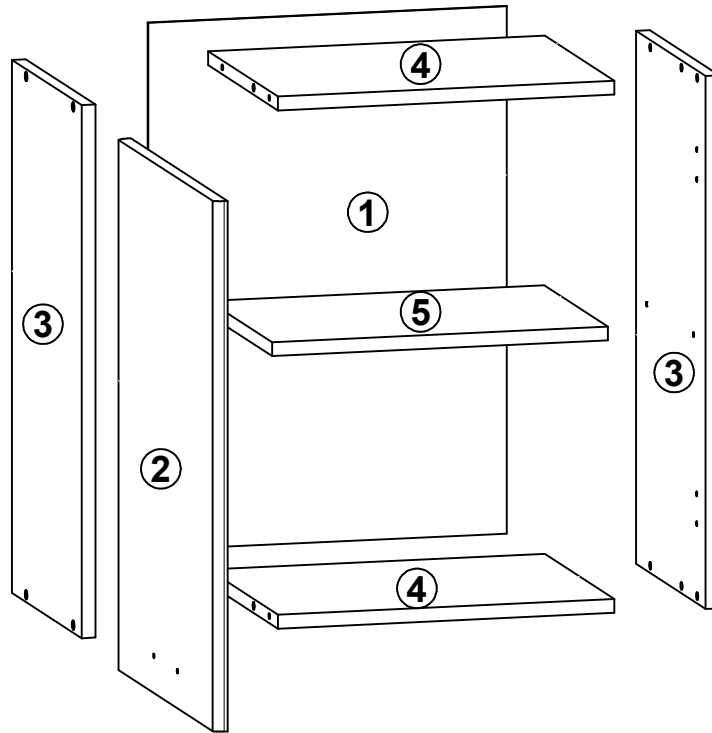
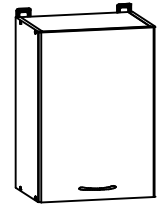
# 13



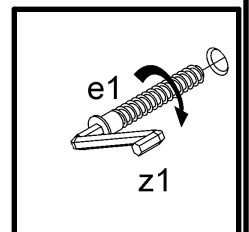
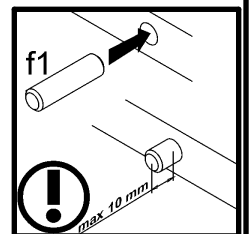
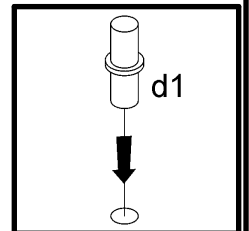
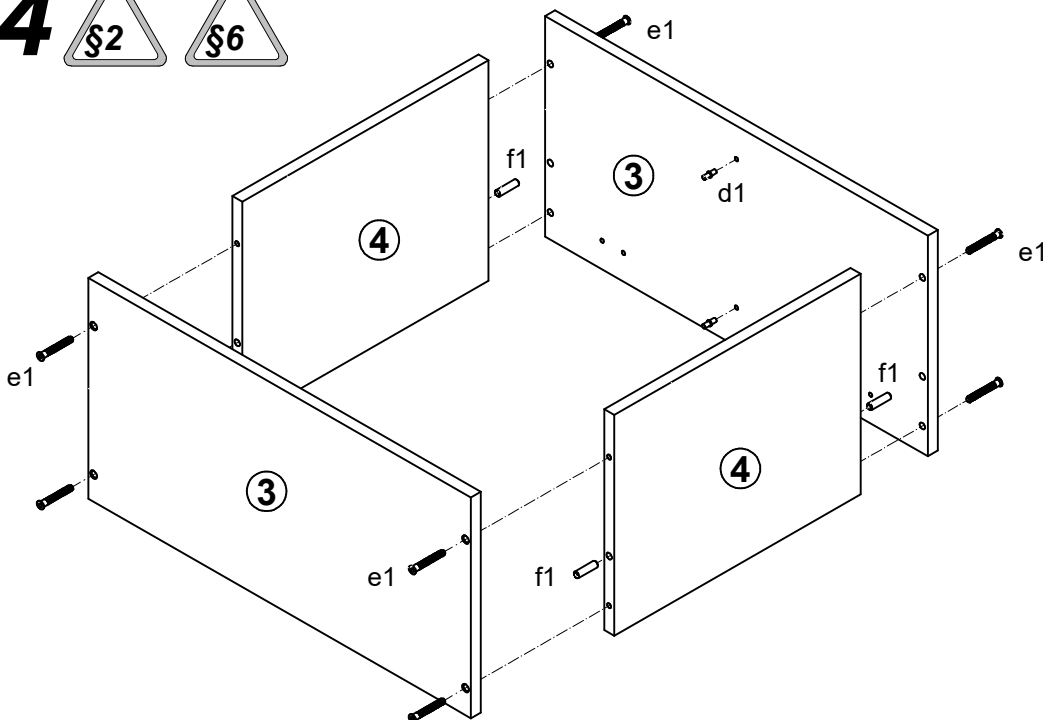
# SONIA 2

K15-KG1D/40/57

A	B	C		D
1	K13-901	567	393	1/8
2	K15-007	396	570	7/8
3	K15-101	573	285	3/8
4	K15-301	369	285	2/8
5	K15-302	368	260	2/8

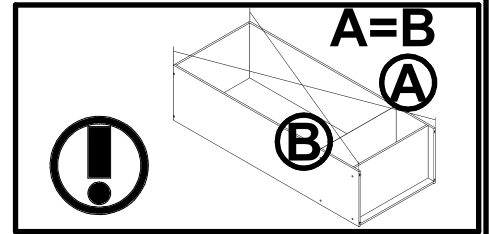
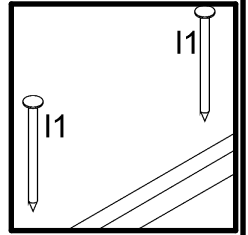
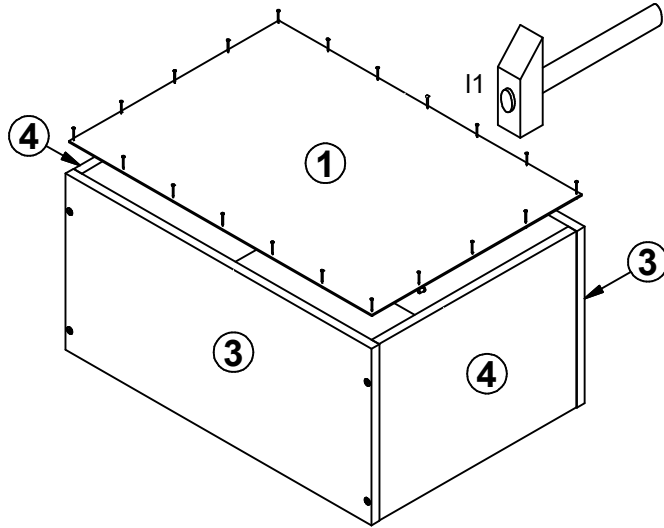


14

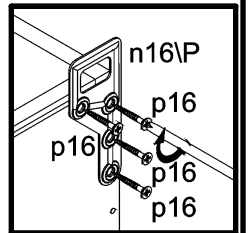
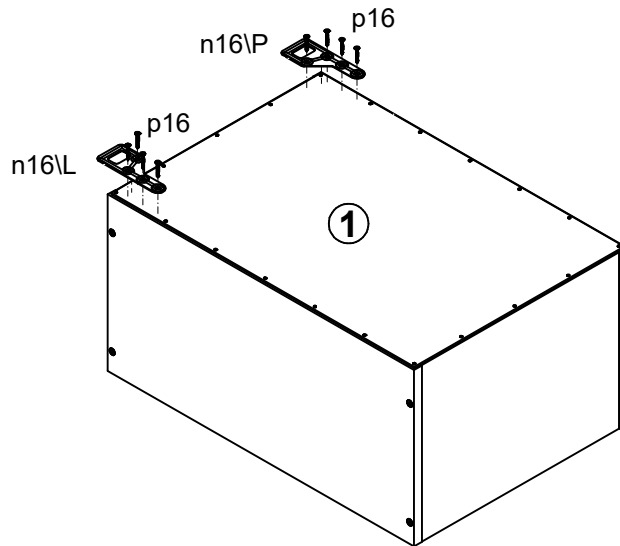




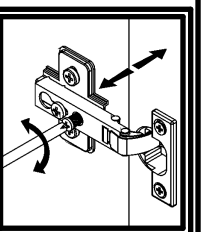
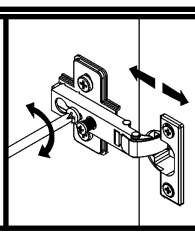
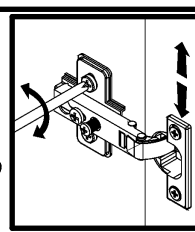
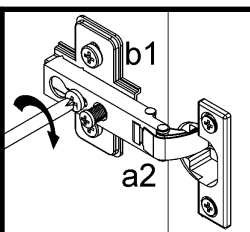
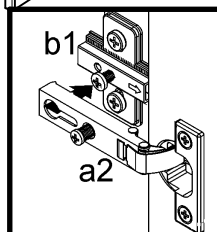
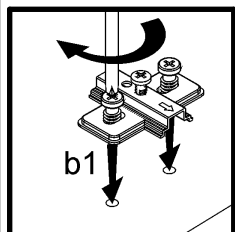
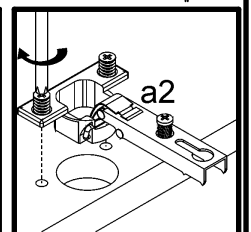
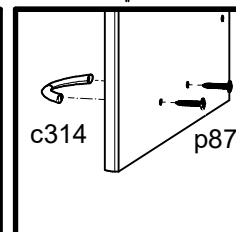
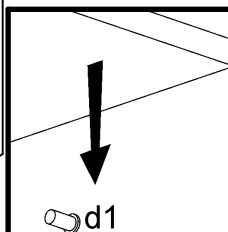
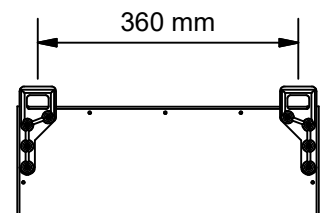
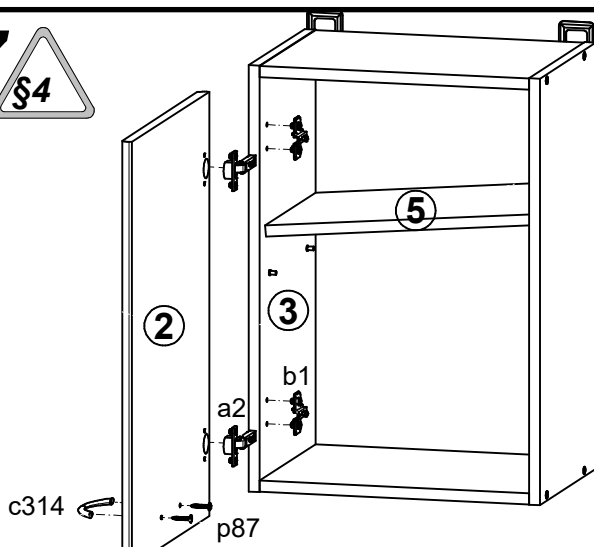
# 15



# 16



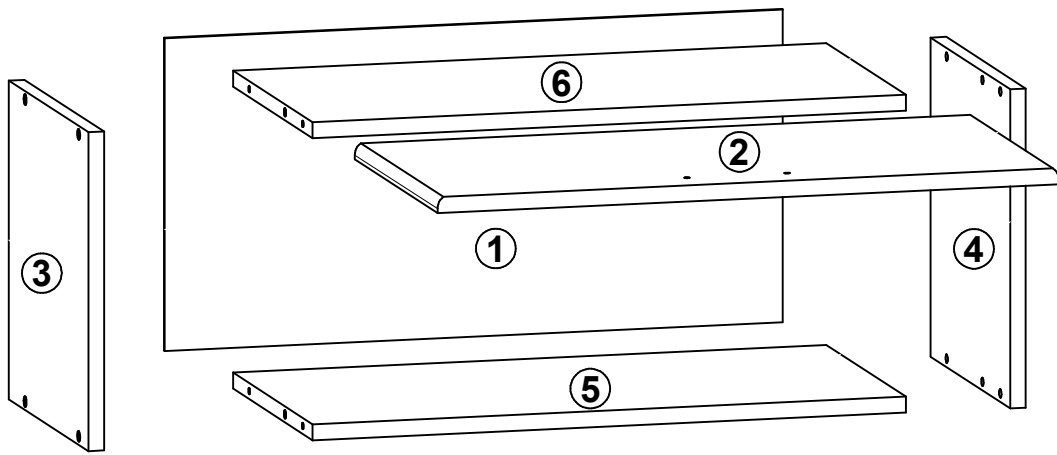
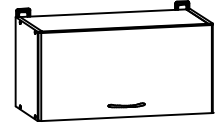
# 17



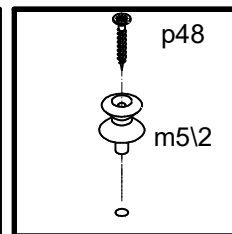
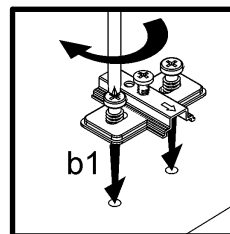
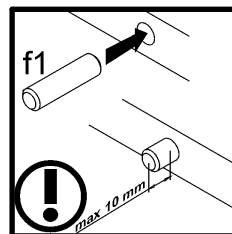
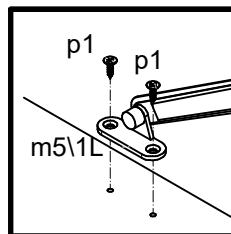
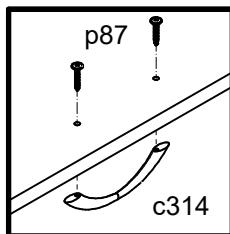
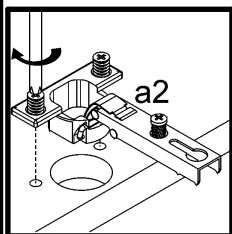
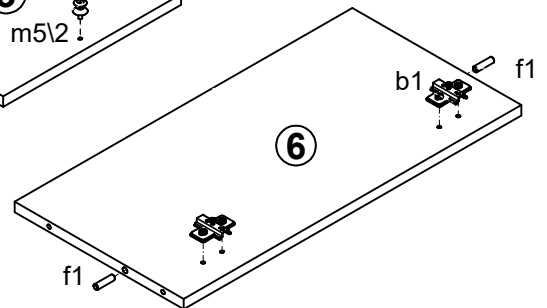
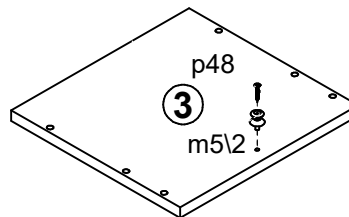
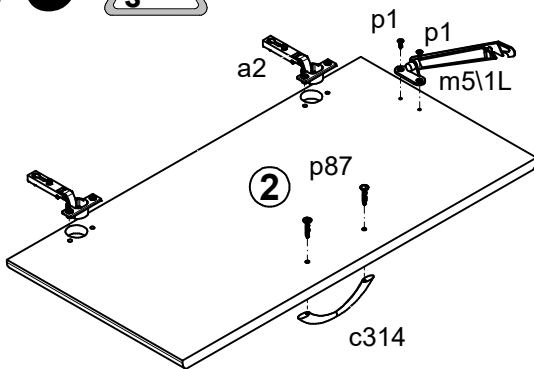
# SONIA 2

K15-KGO/60/30

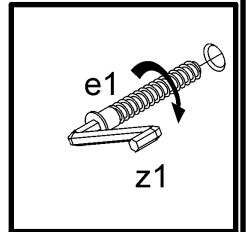
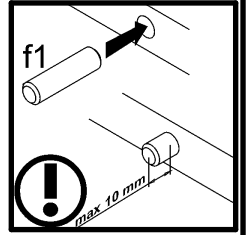
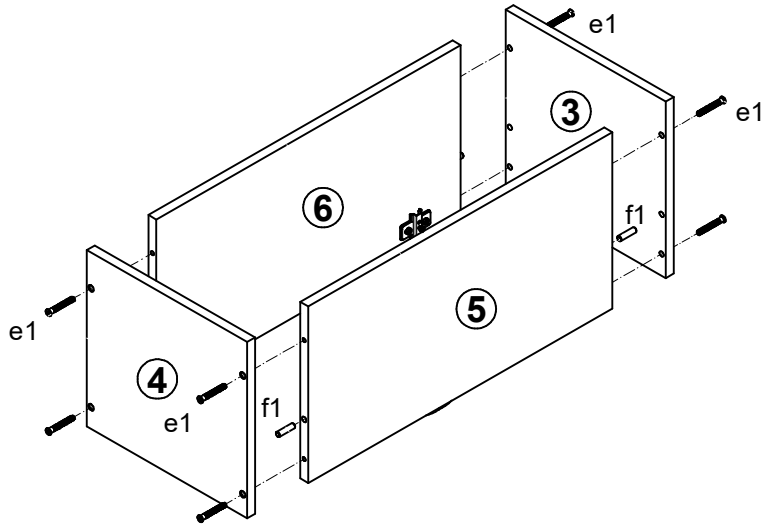
A	B	C	D
1	K13-904	593	294
2	K15-010	596	296
3	K15-102	300	285
4	K15-103	300	285
5	K15-303	569	285
6	K15-307	569	285



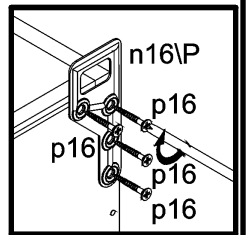
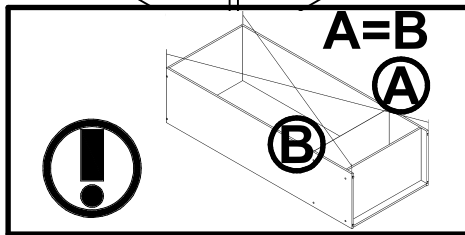
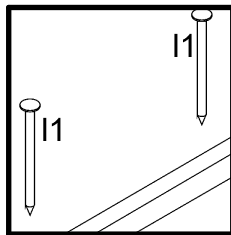
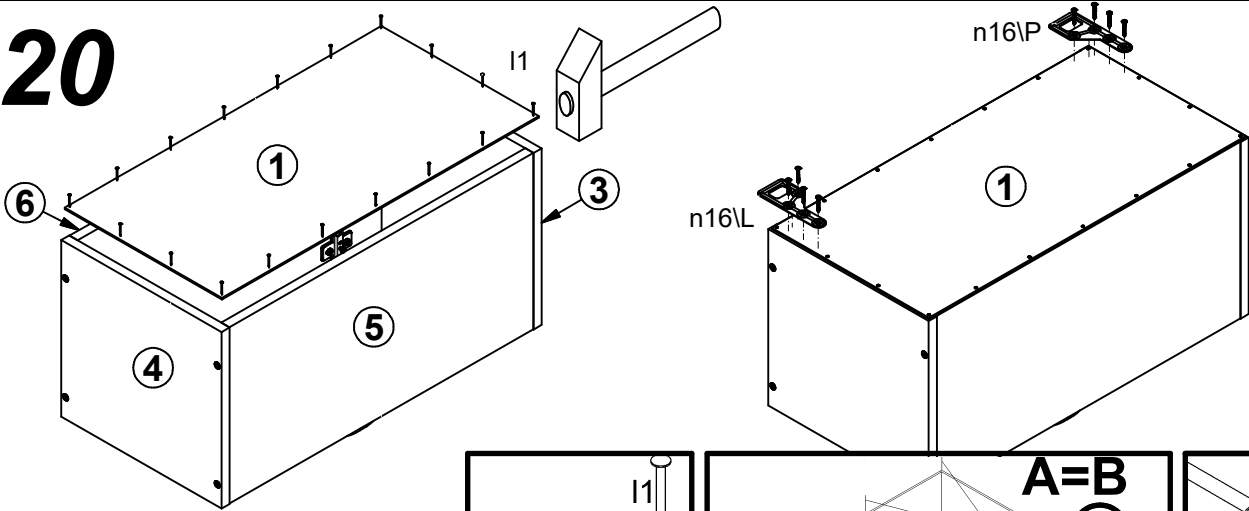
## 18



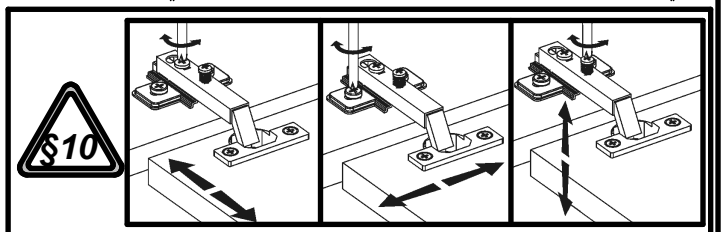
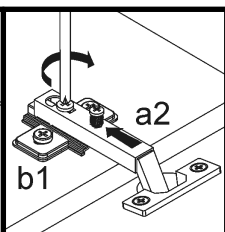
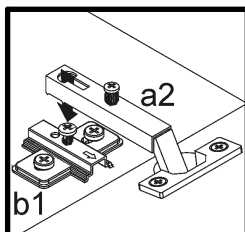
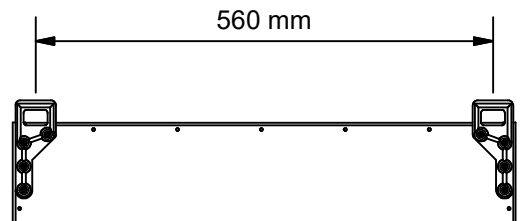
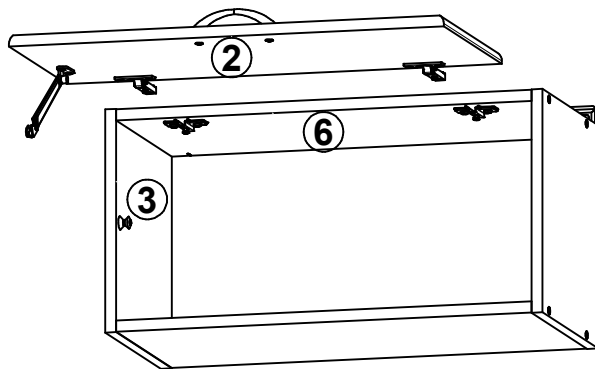
# 19



# 20



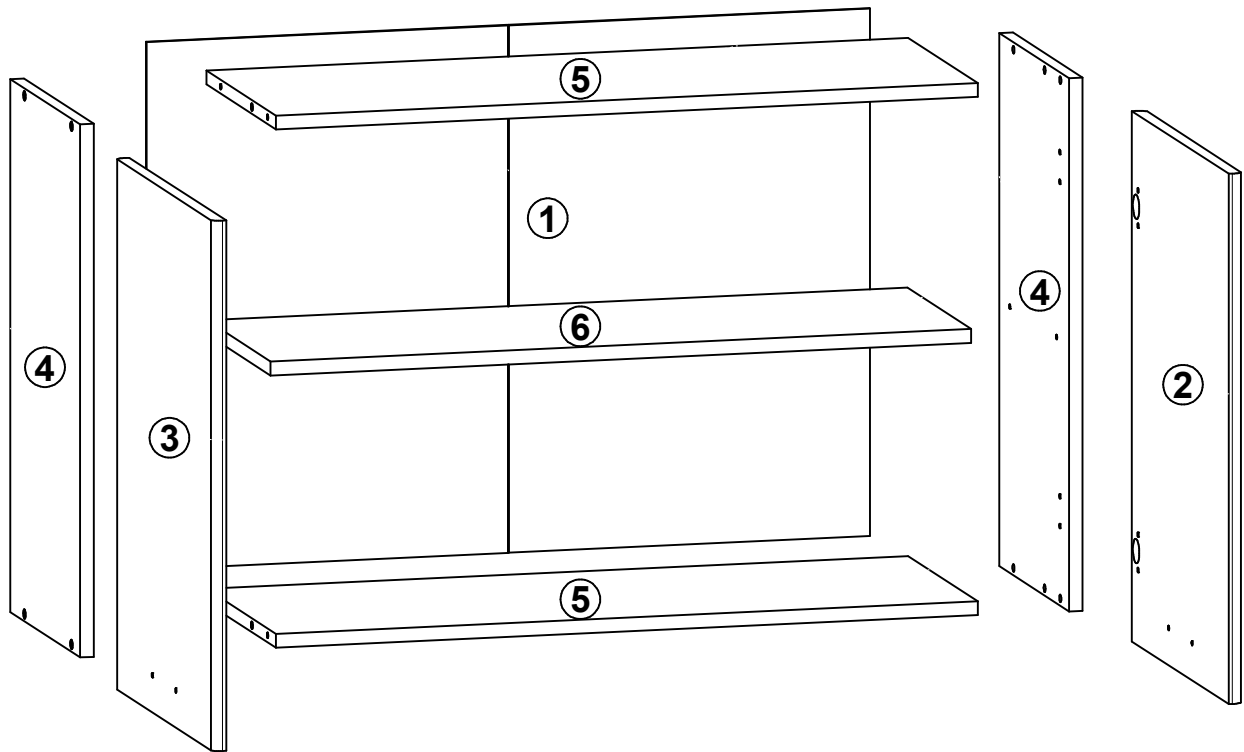
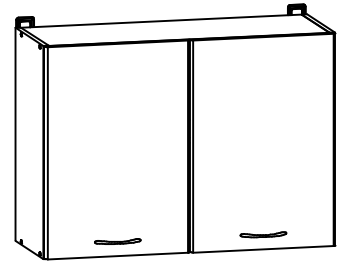
# 21



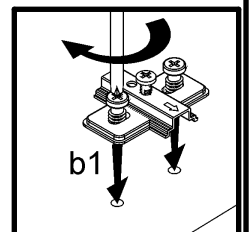
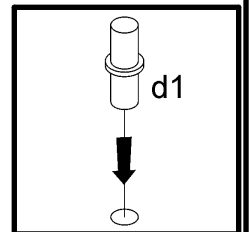
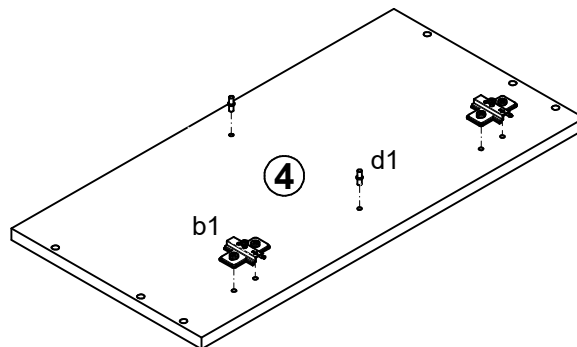
# SONIA 2

K15-KG2D/80/57

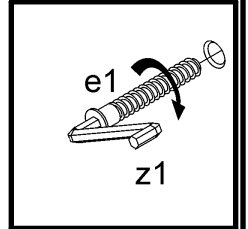
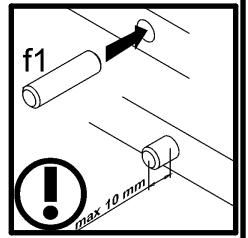
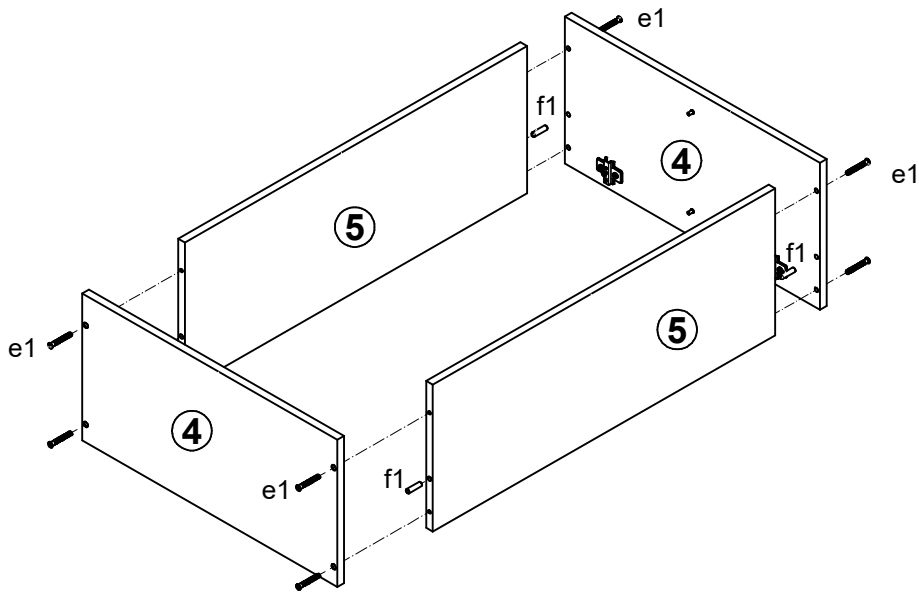
A	B	C	D
1	K13-903	567	793 1/8
2	K15-002	396	570 7/8
3	K15-007	396	570 7/8
4	K15-101	573	285 3/8
5	K15-305	769	285 4/8
6	K15-306	768	260 4/8



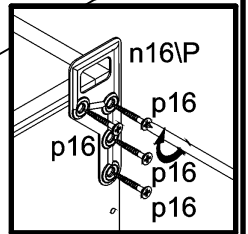
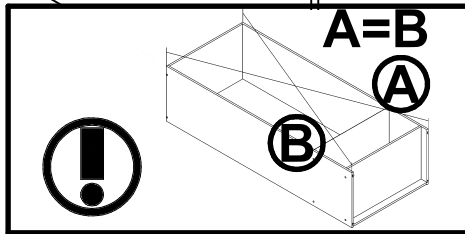
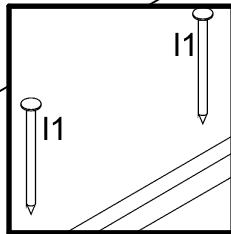
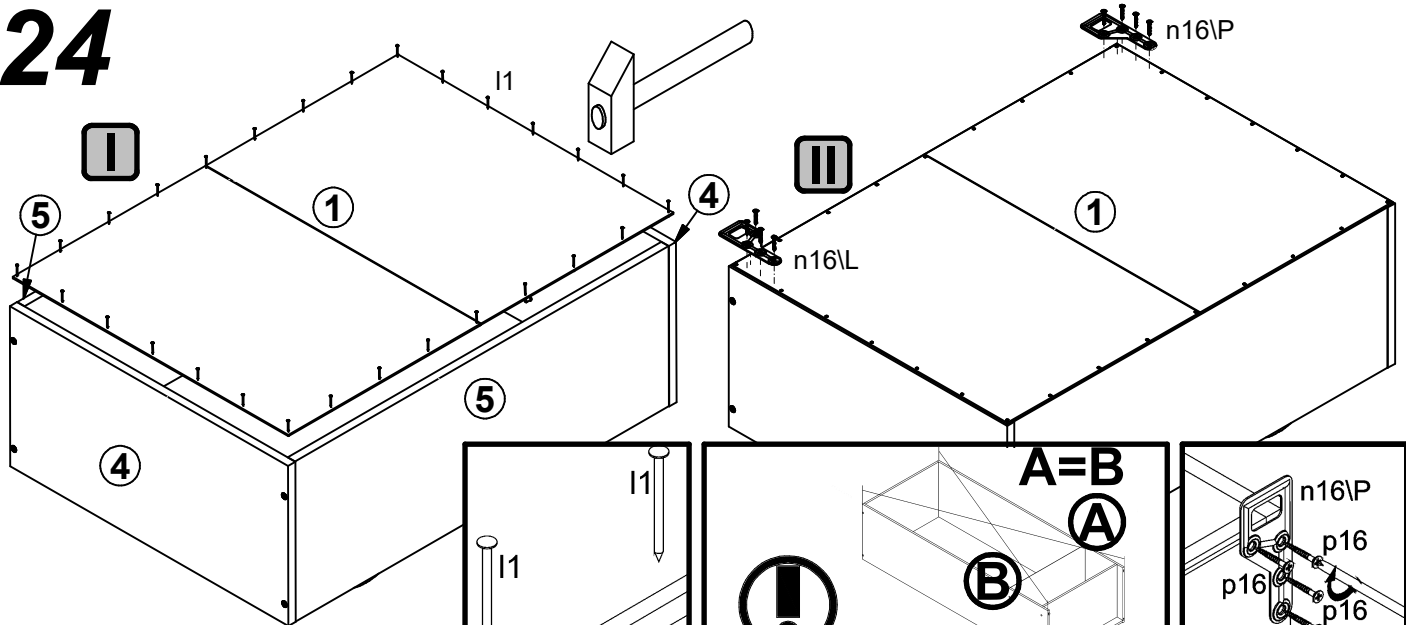
22



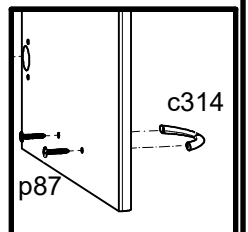
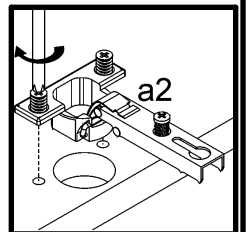
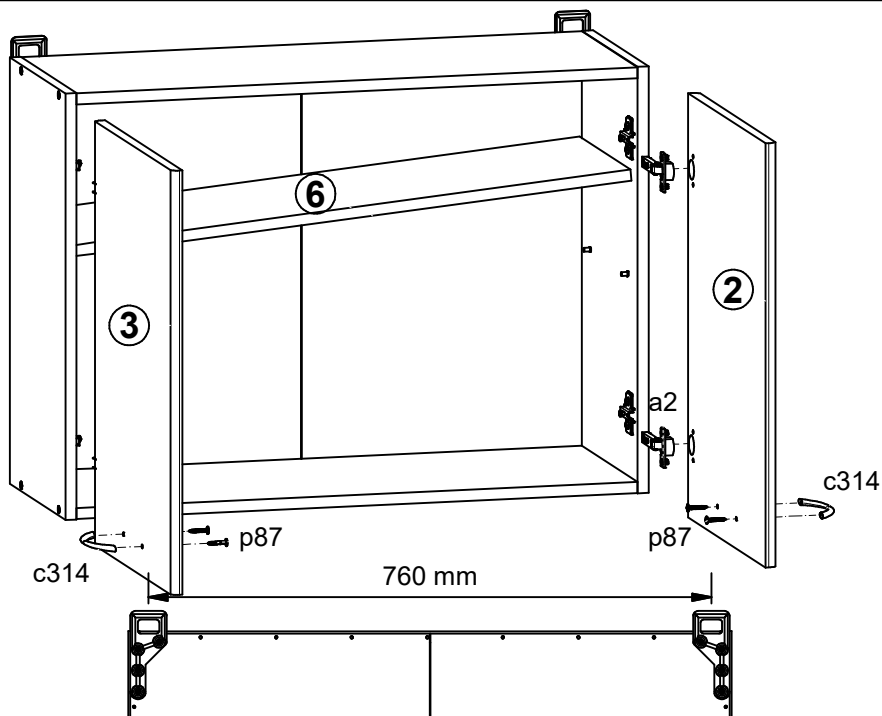
# 23



# 24



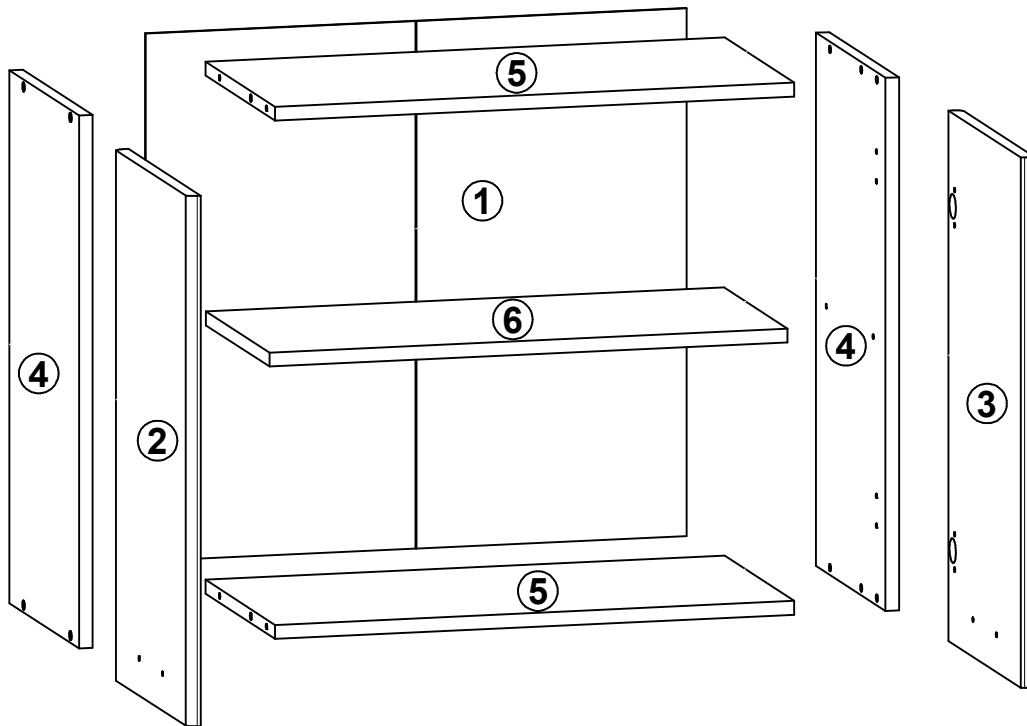
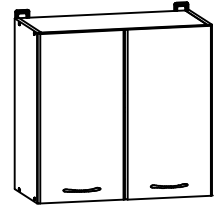
# 25



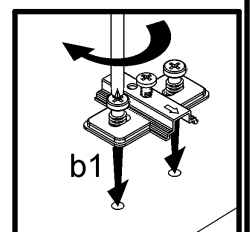
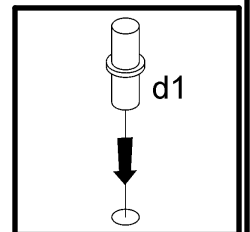
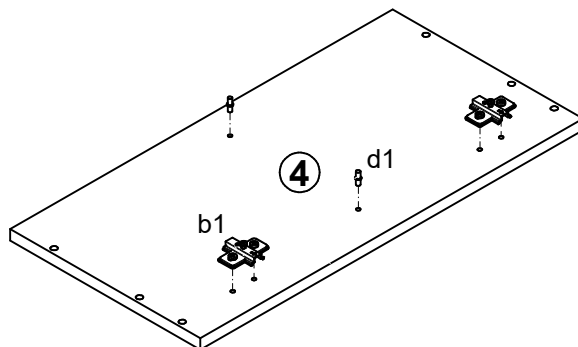
# SONIA 2

K15-KG2D/60/57

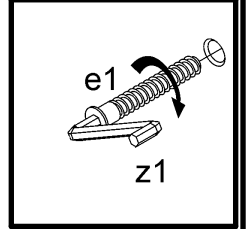
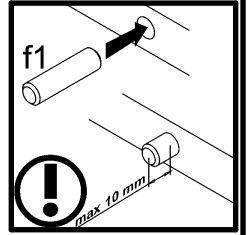
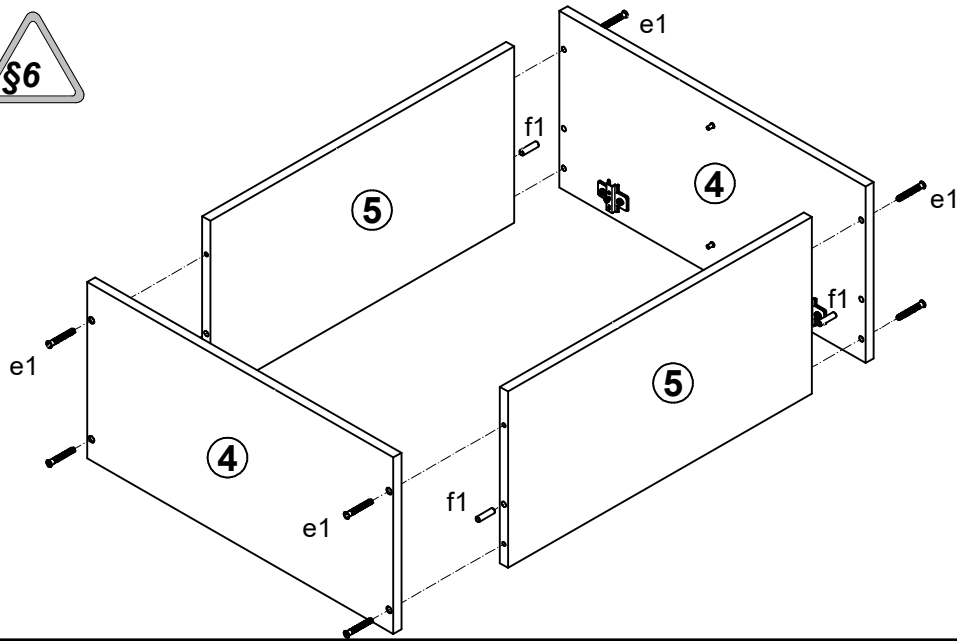
A	B	C		D
1	K13-902	567	593	1/8
2	K15-008	296	570	8/8
3	K15-009	296	570	8/8
4	K15-101	573	285	3/8
5	K15-303	569	285	4/8
6	K15-304	568	260	4/8



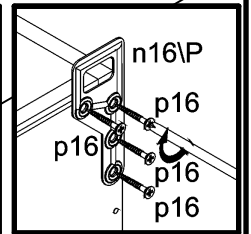
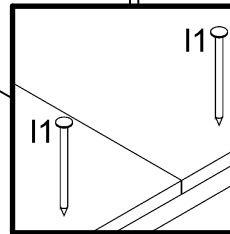
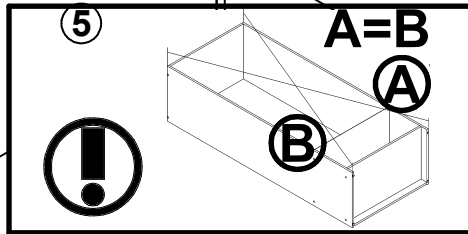
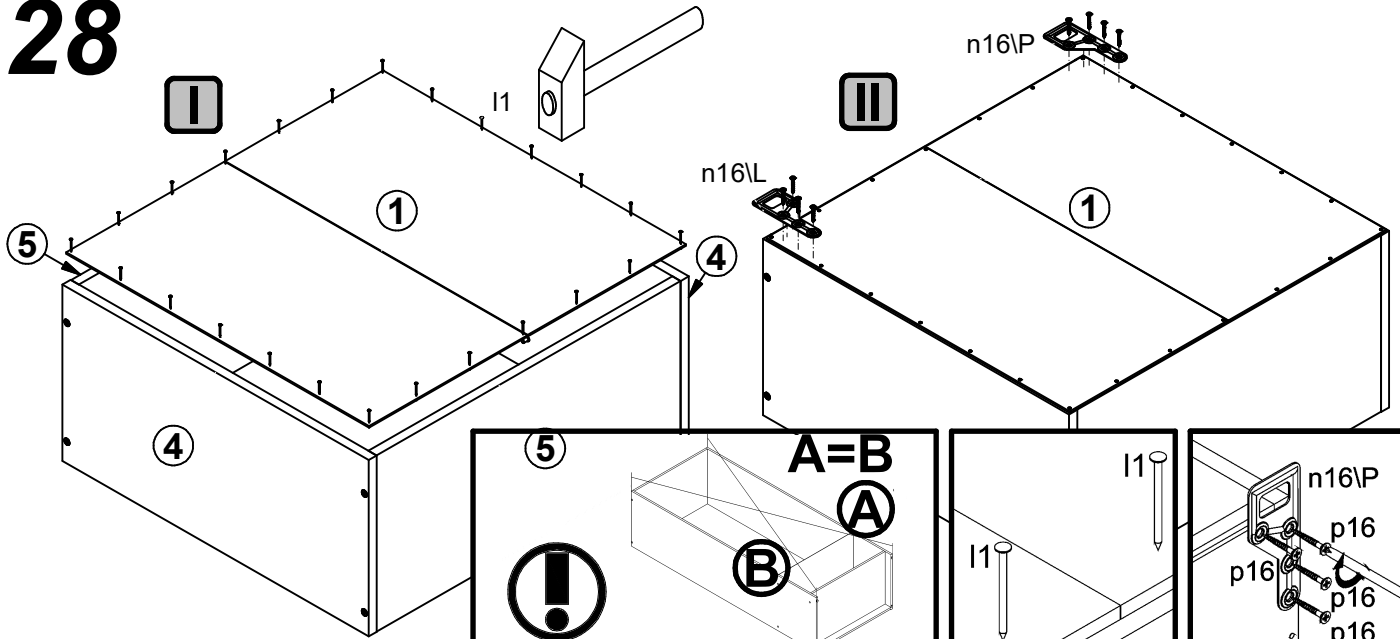
## 26



# 27



# 28



# 29

