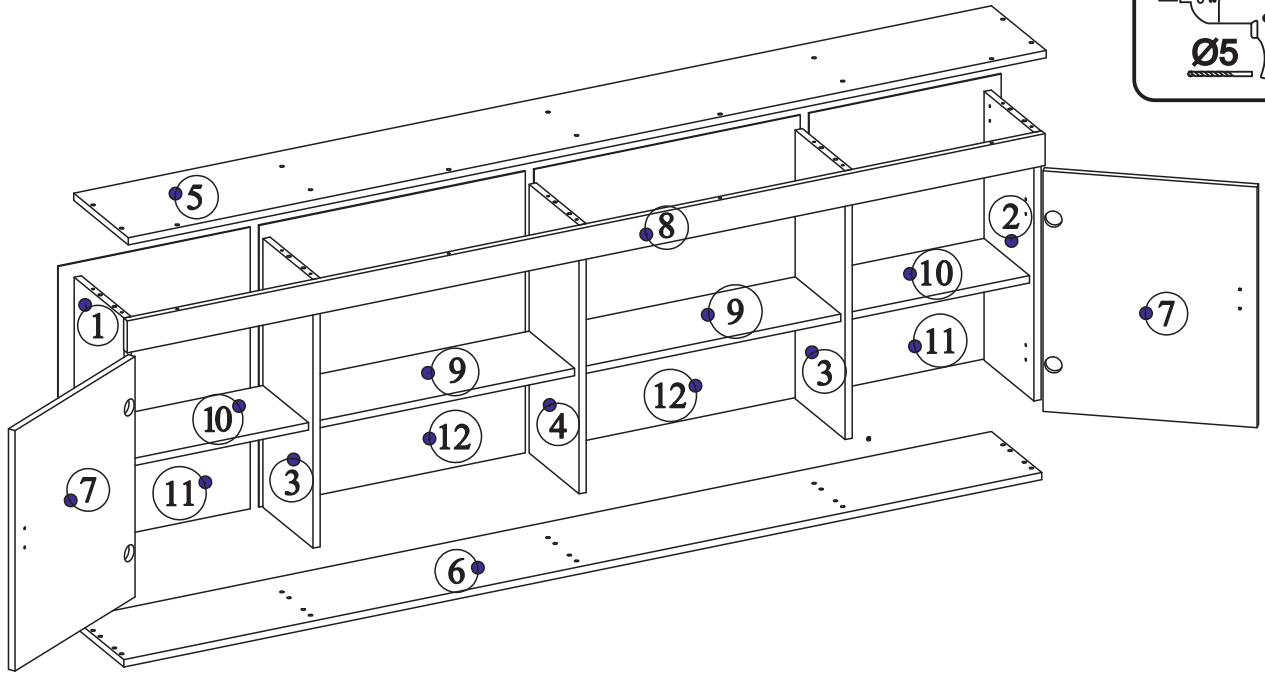
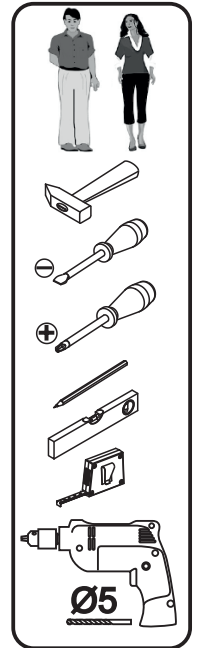
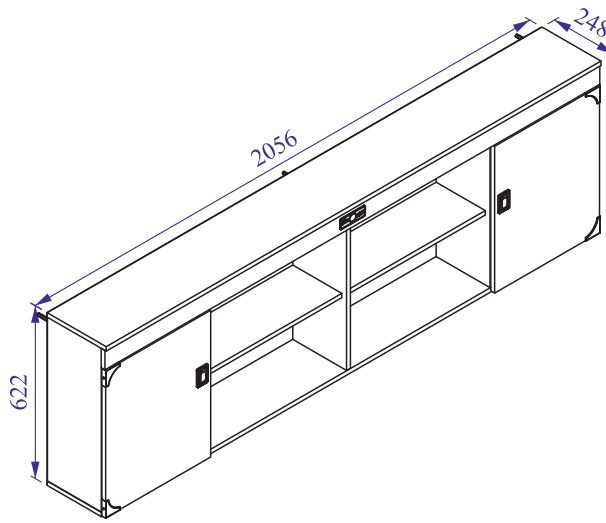


№	L	B	S	N	P
1	590	224	16	1	1/2
2	590	224	16	1	1/2
3	590	224	16	2	1/2
4	590	224	16	1	1/2
5	2056	245	16	1	1/2
6	2056	225	16	1	1/2
7	528	434	16	2	2/2
8	2056	70	16	1	1/2
9	580	204	16	2	1/2
10	407	204	16	2	1/2
11	430	618	3	2	2/2
12	596	618	3	2	2/2



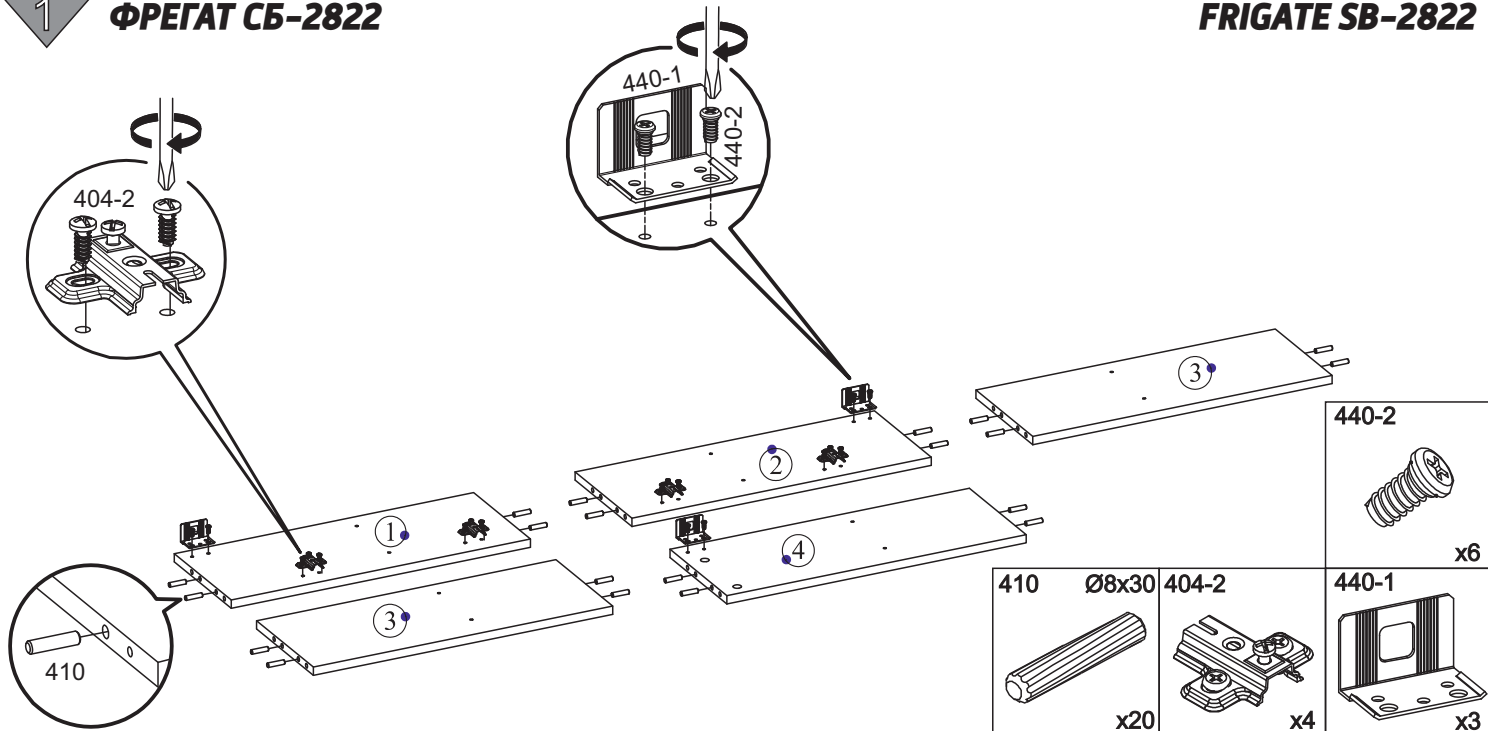
202 Ø4x13 x8	301 1,6x25 x36	218 3x18 x9	410 Ø8x30 x20	402 x2	753 1770 x1	754 x4	440-1 x3	440-2 x6
440-3 x3	440-3 x3	440-5 x3	440-6 x3	404-1 NAK x4	404-2 x4	461 x24	406 x24	302 1,3x13 x2
627 Ø2x10 x8	735 x9	123 M4x22 x2	x1	x2	405 x16			



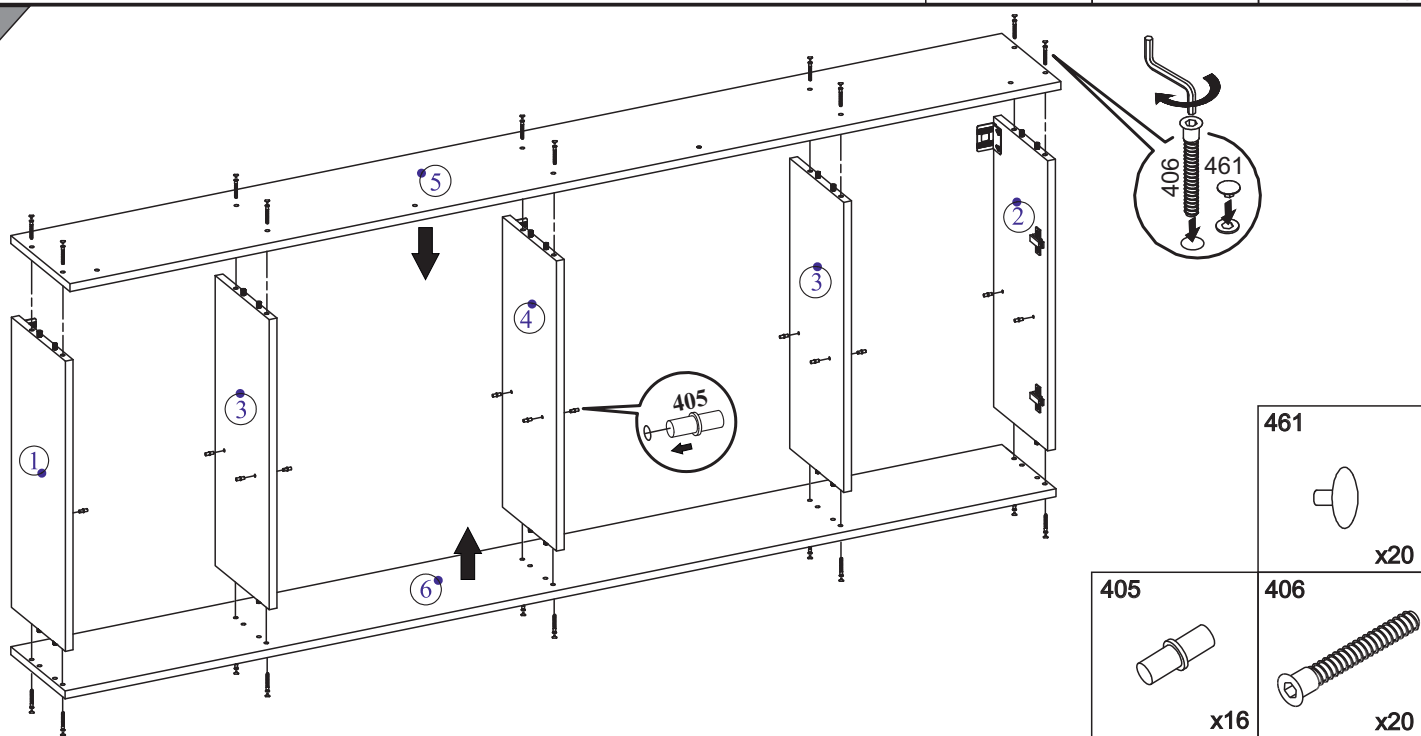
1

ФРЕГАТ СБ-2822

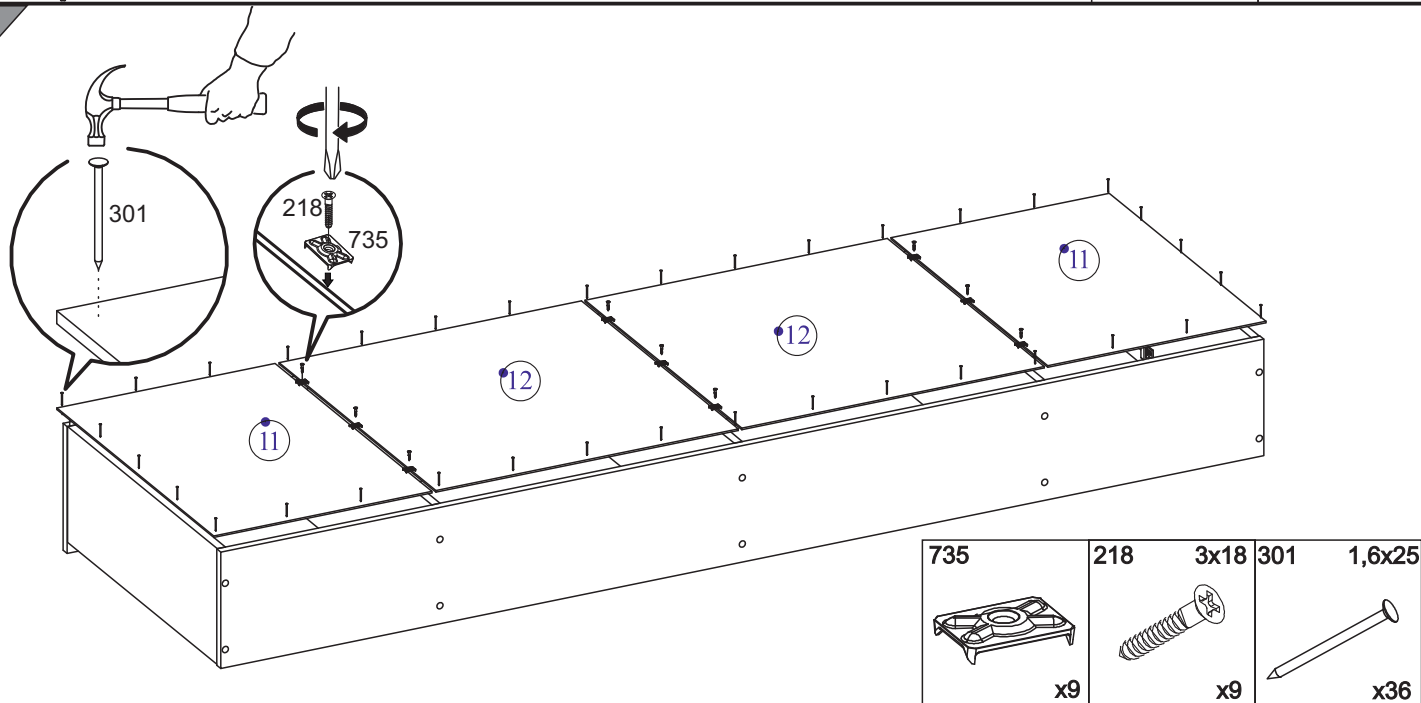
FRIGATE SB-2822

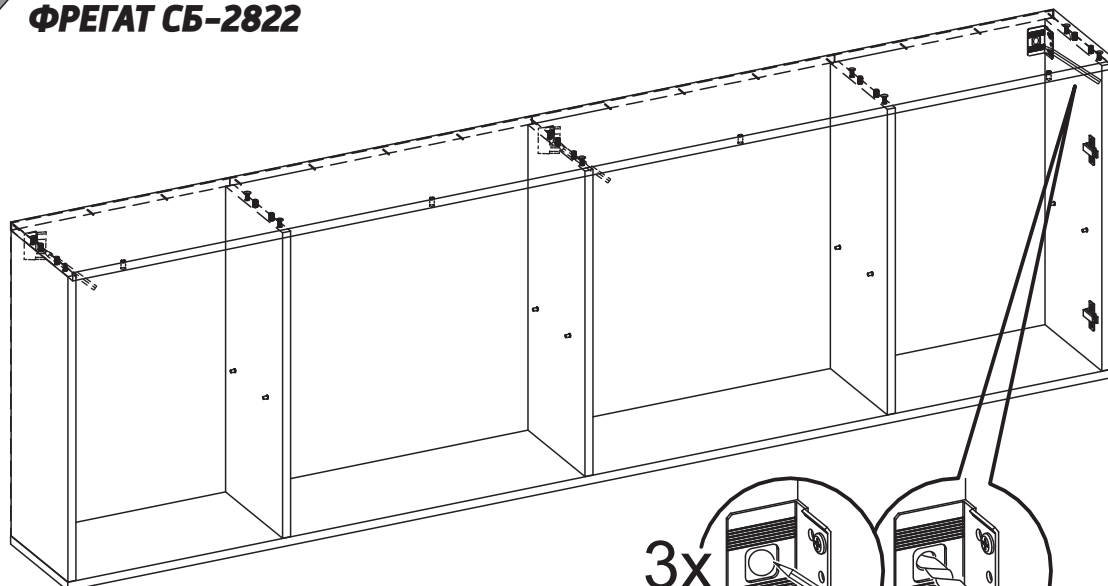


2



3





440-3



x3

440-3



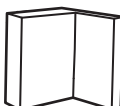
x3

440-5



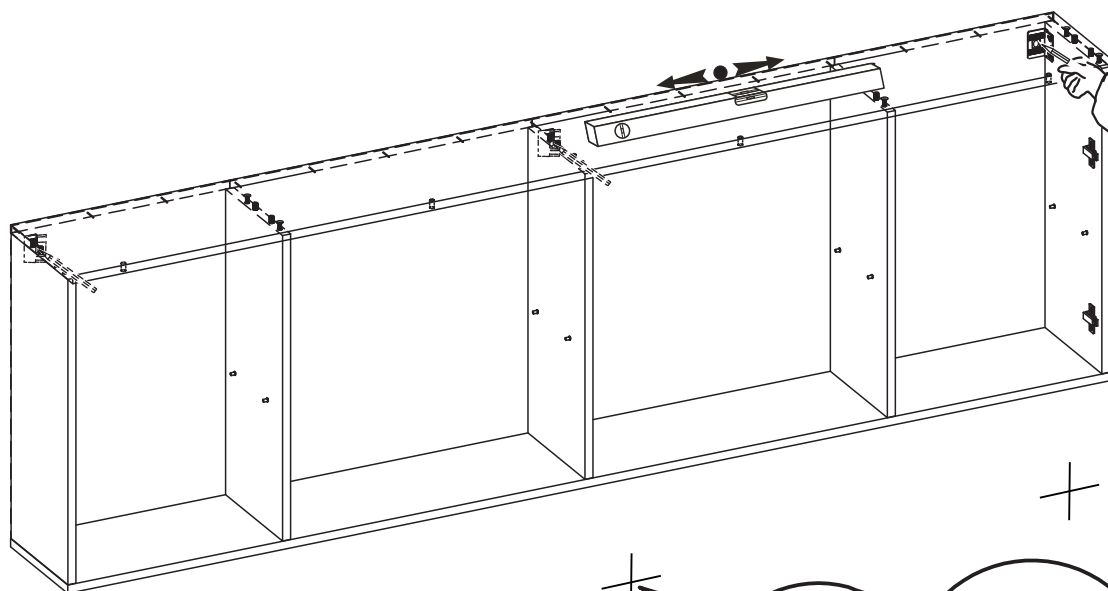
x3

440-6



x3

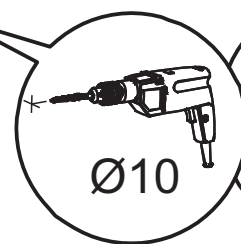
3x



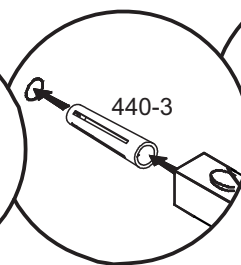
3x

+

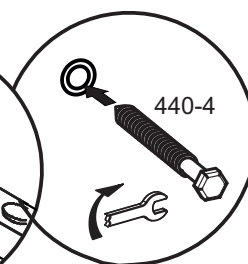
+



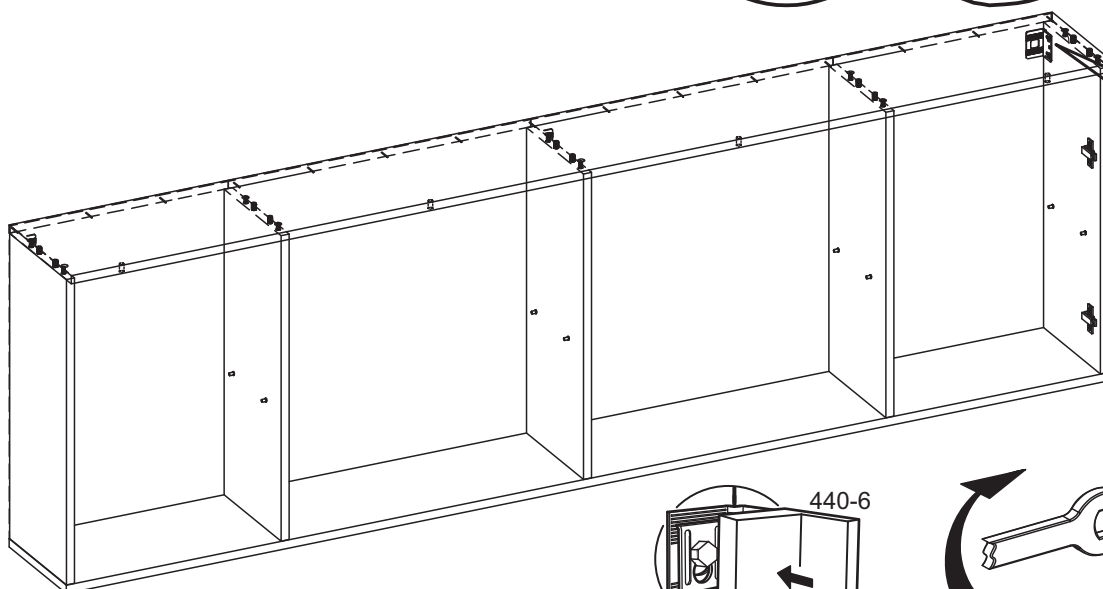
Ø10



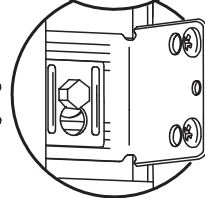
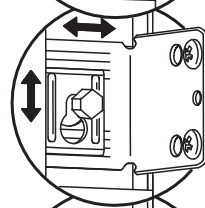
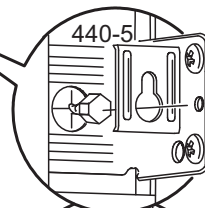
440-3



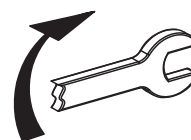
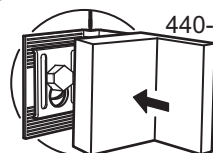
440-4

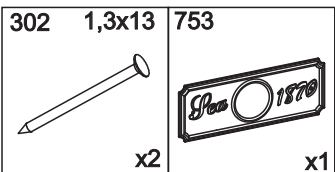
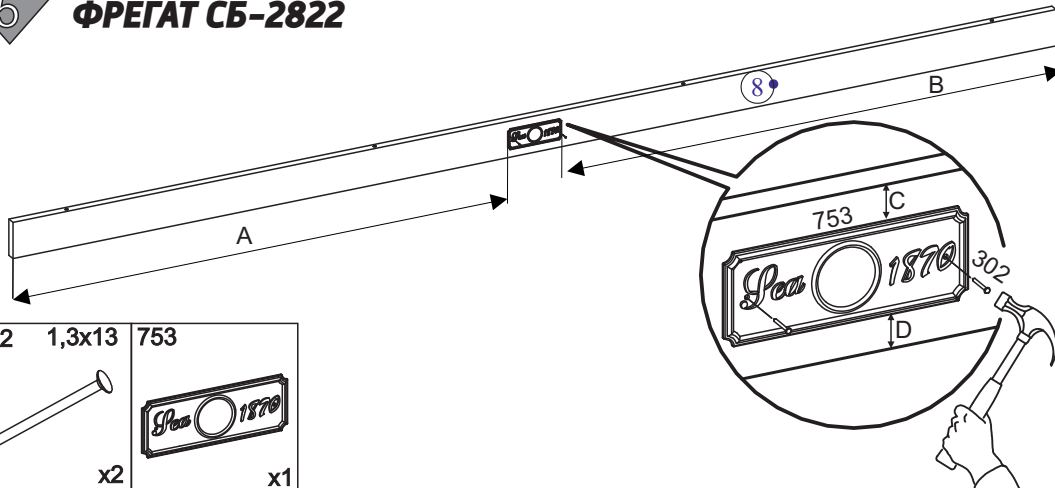


440-5



440-6





A=B
C=D

