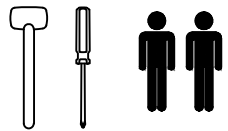
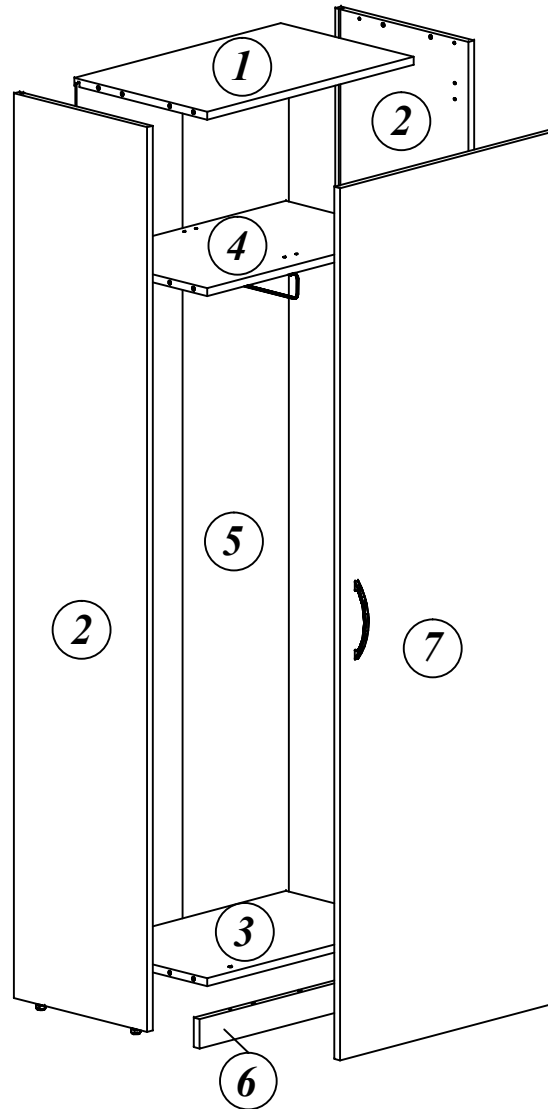
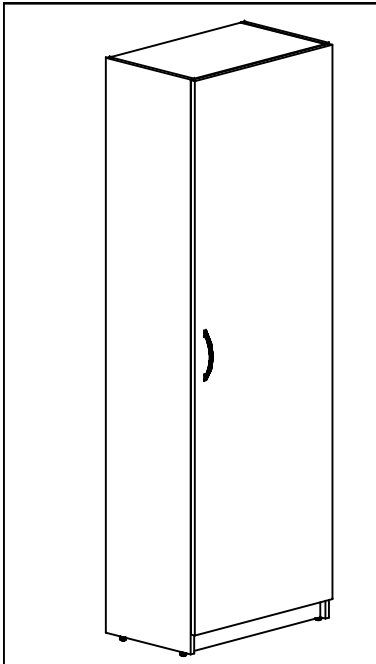


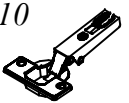











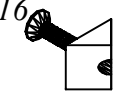

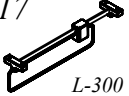
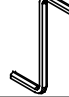



SR W60

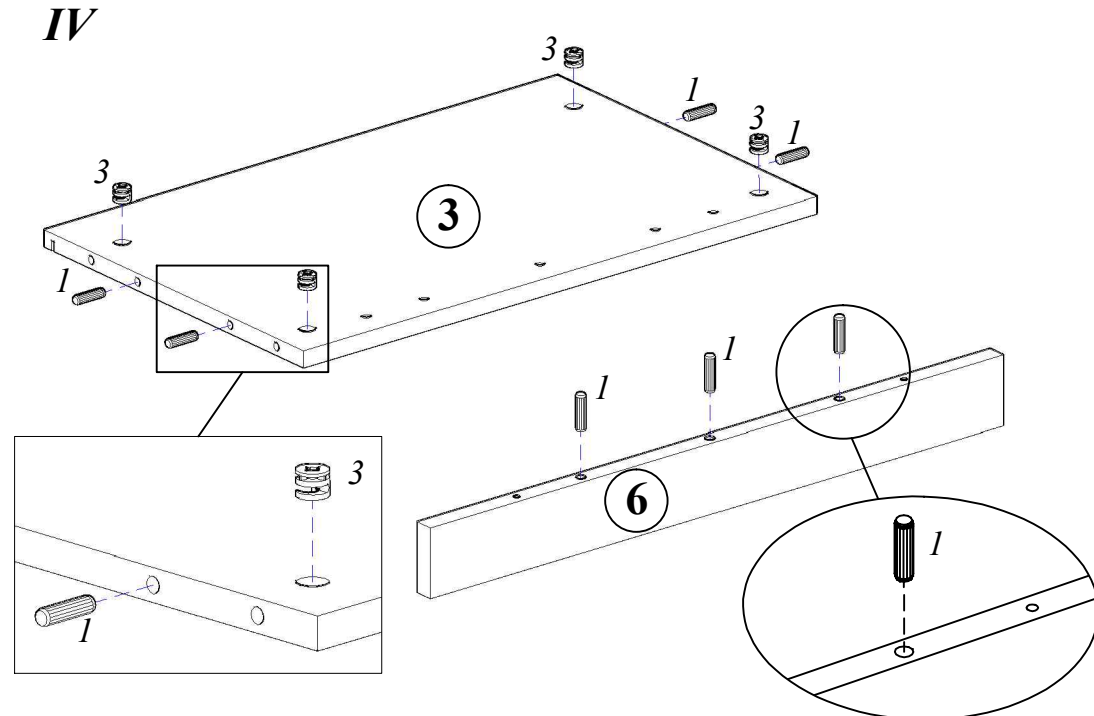
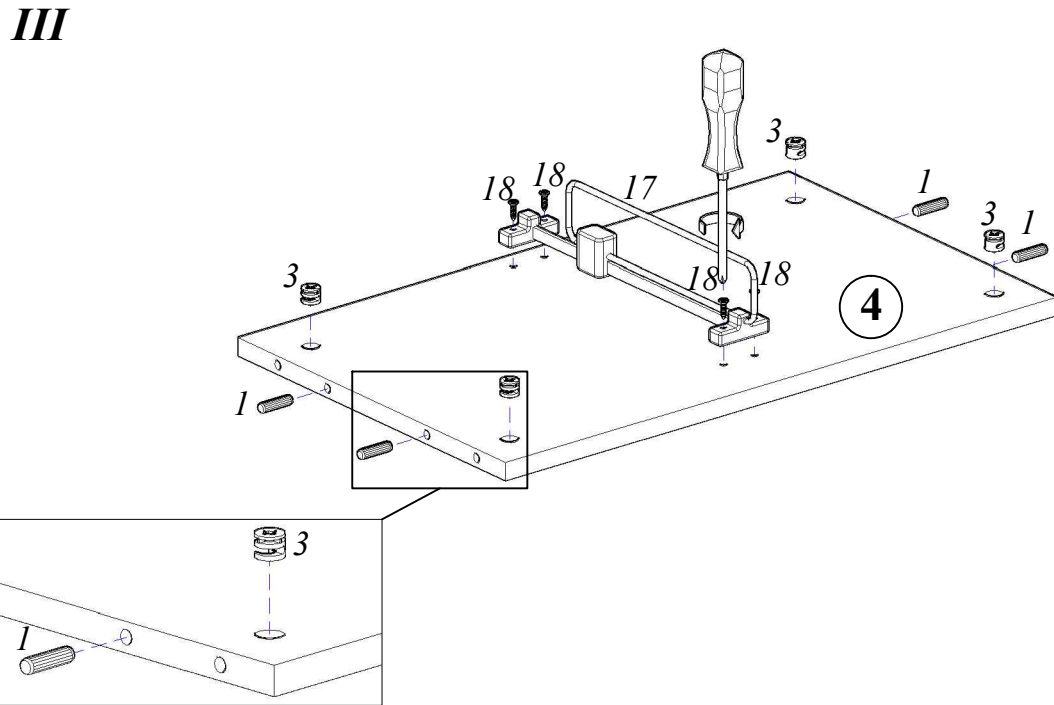
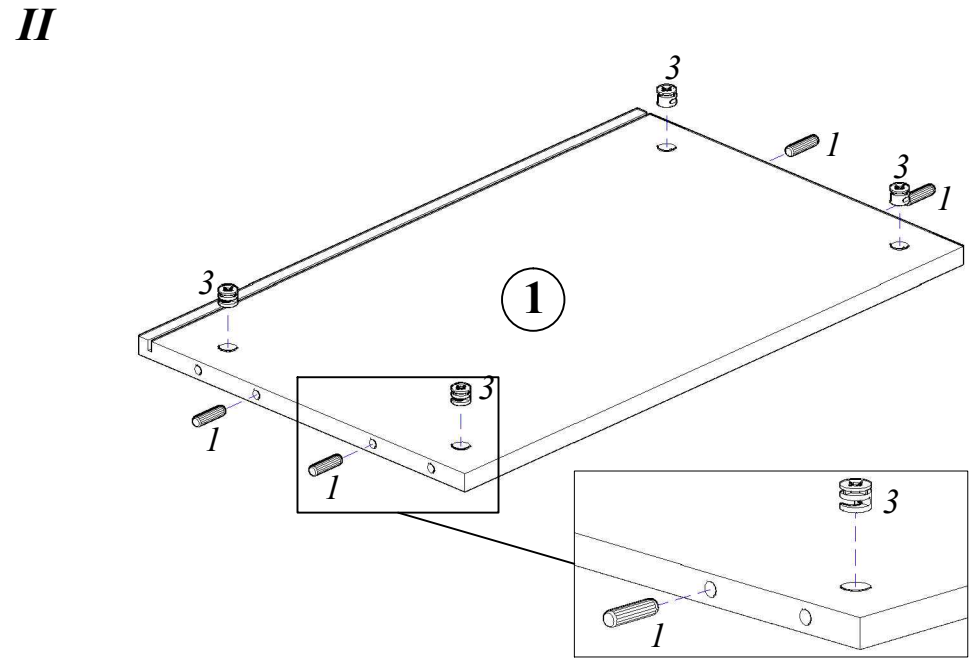
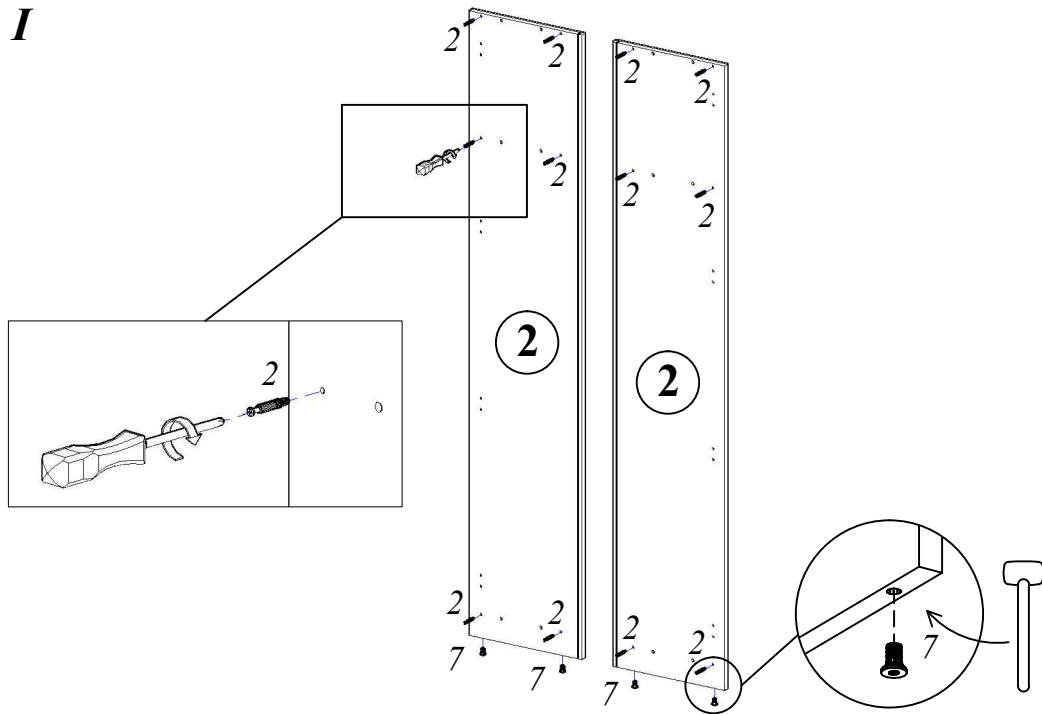
1

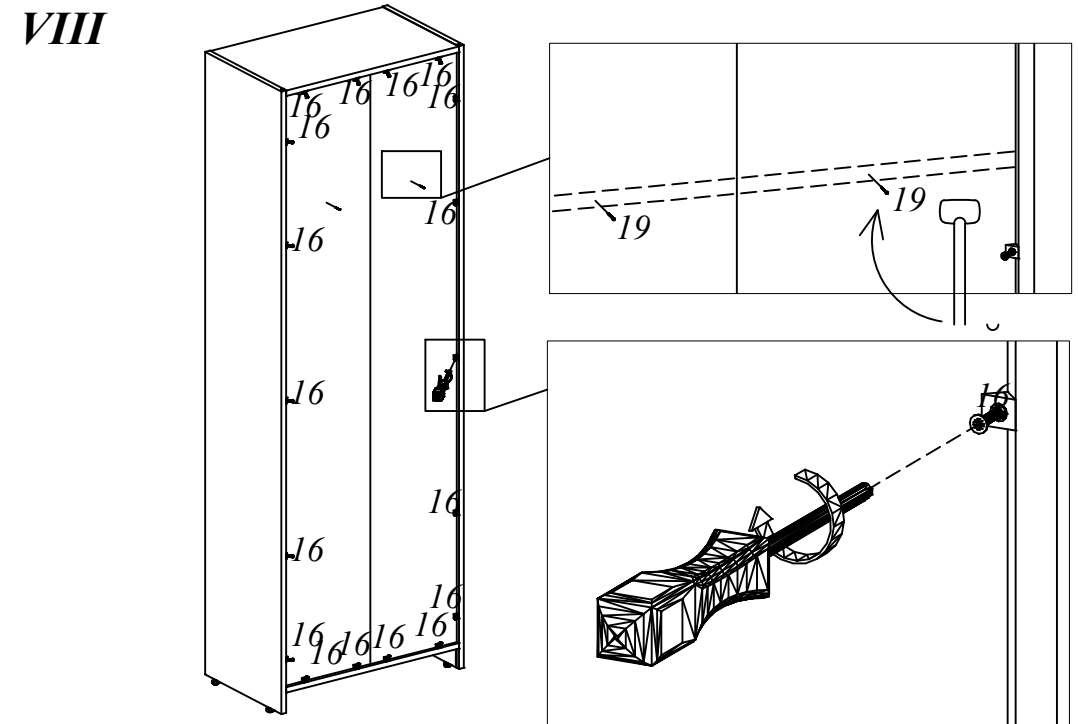
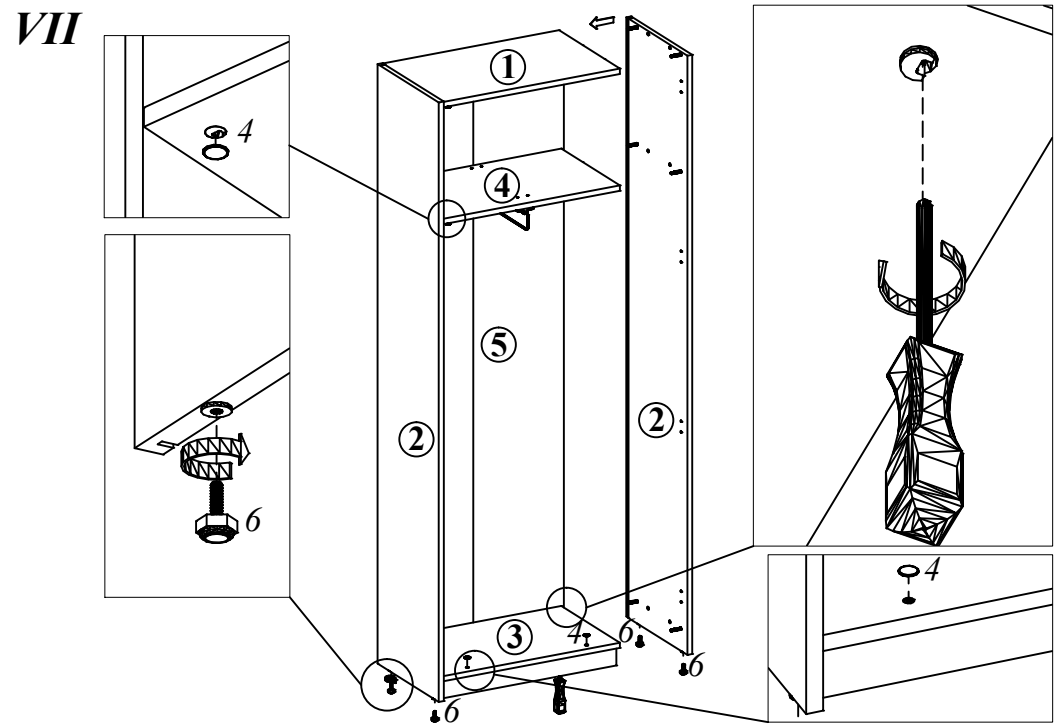
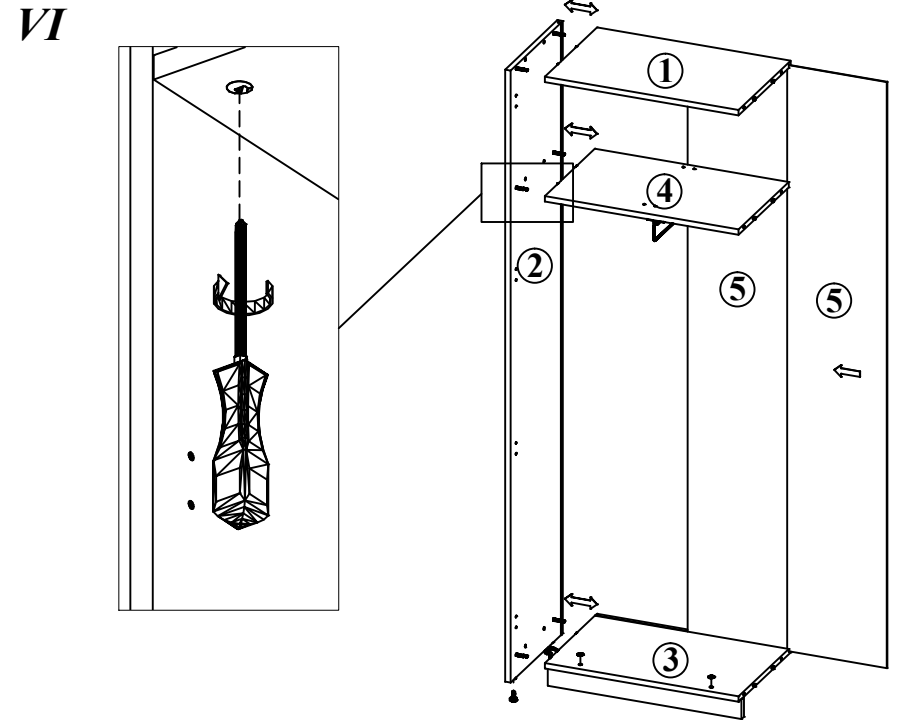
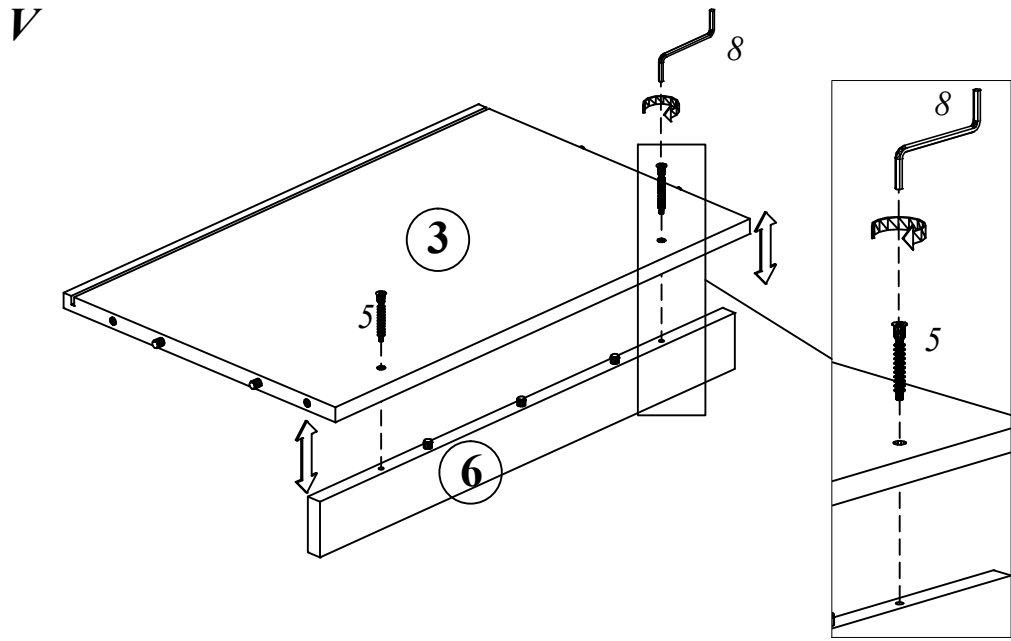


EAC

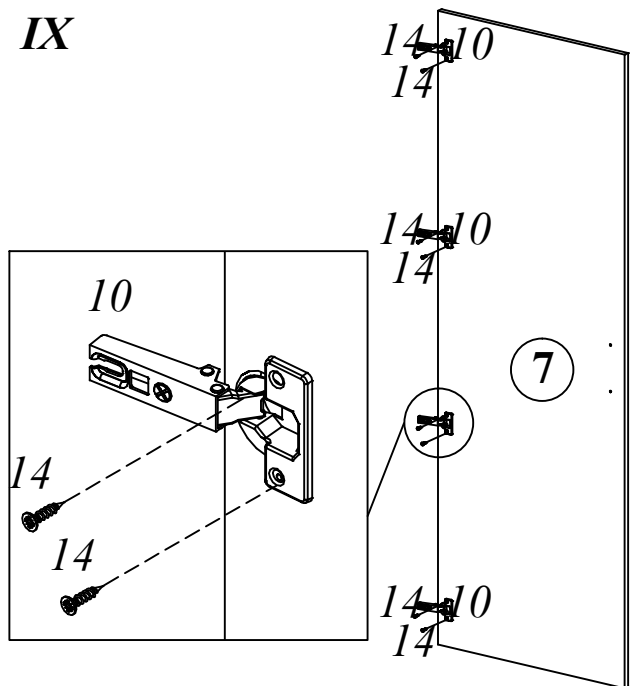
600x1805x375

| | | | |
|---|-----|---|-----|
| | |  | x3 |
|  | x15 |  | x3 |
|  | x12 |  | x2 |
|  | x12 |  | x8 |
|  | x14 |  | x8 |
|  | x2 |  | x2 |
|  | x4 |  | x18 |
|  | x4 |  | x1 |
|  | x1 |  | x4 |
|  | x1 |  | x2 |

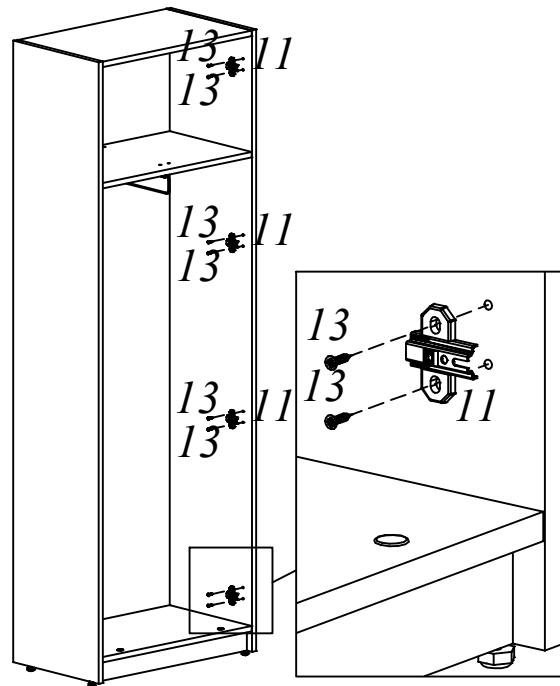




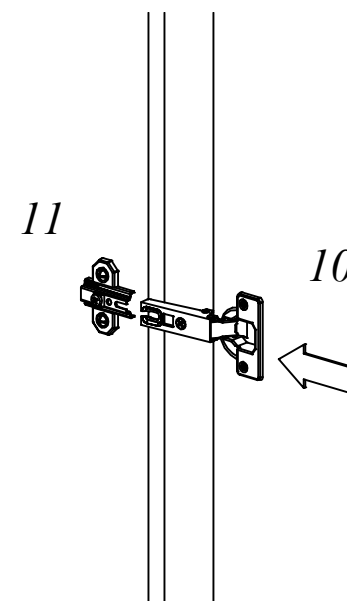
IX



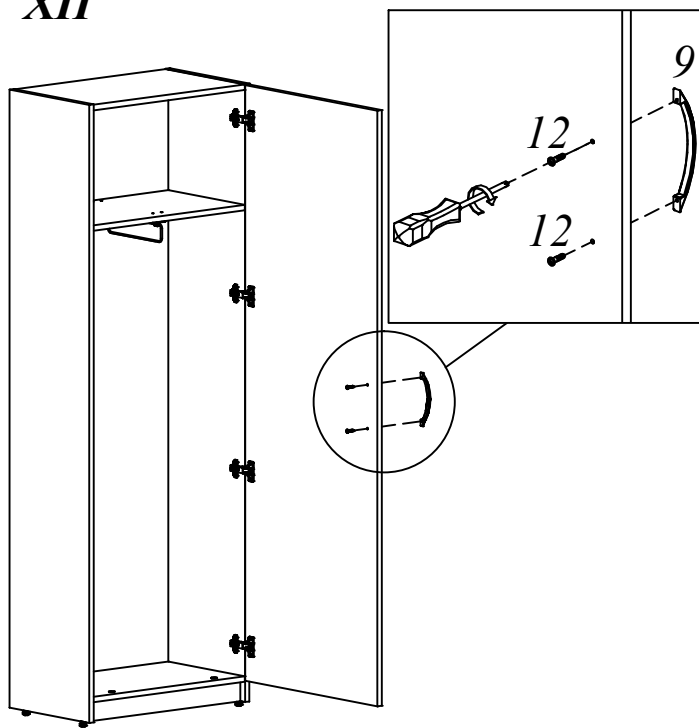
X



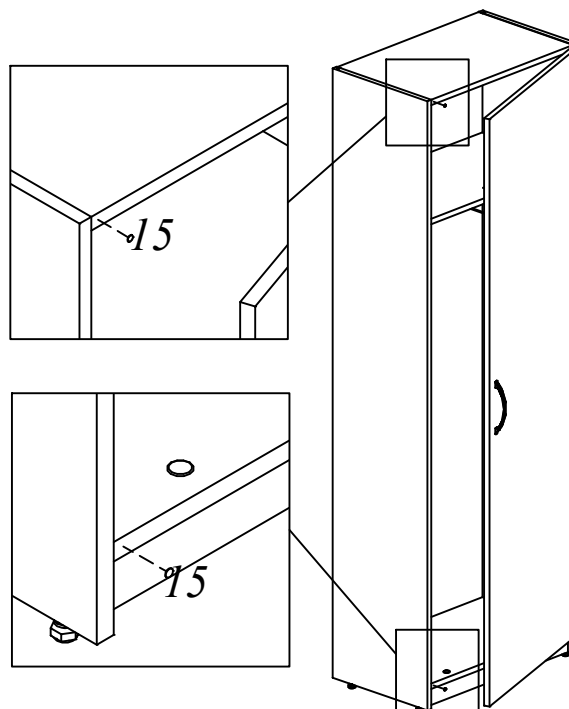
XI



XII



XIII



XIV

