

RED

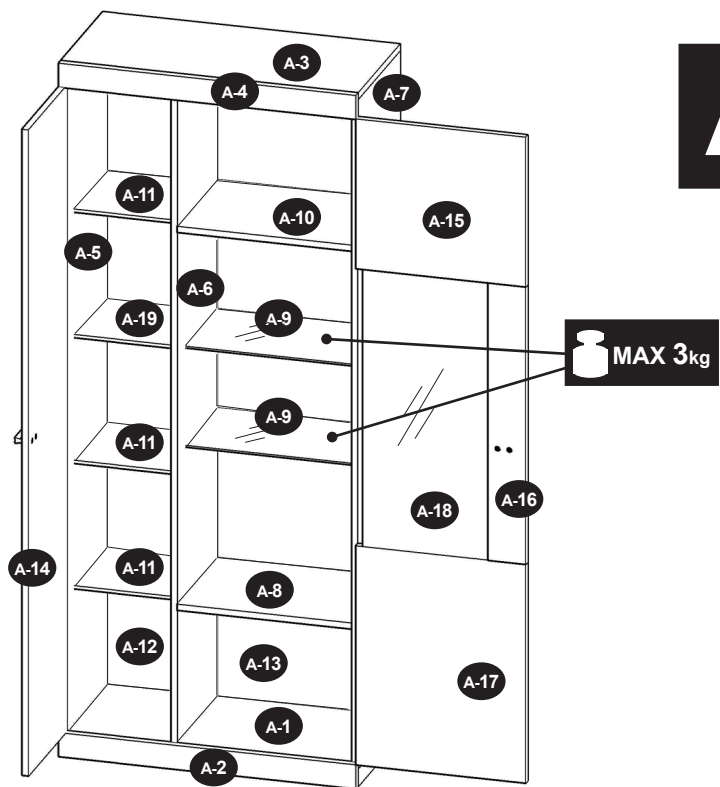
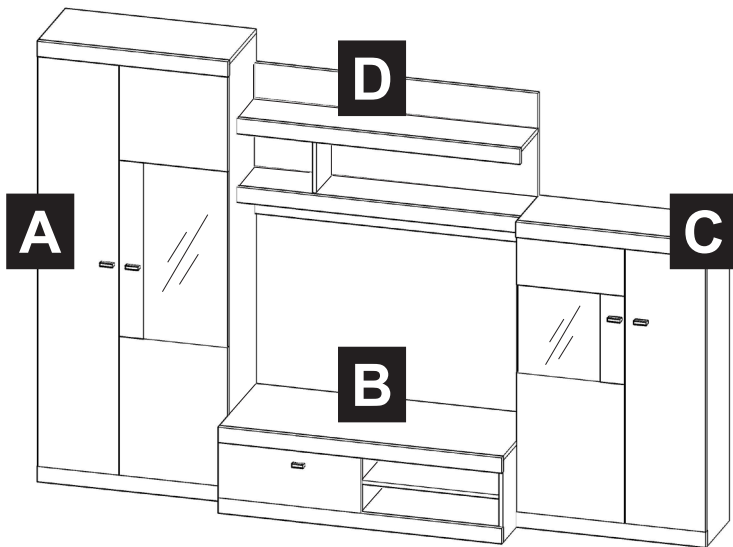
RED - 1905 / 2805 / 519 [mm]

A - 1905 / 802 / 390 [mm]

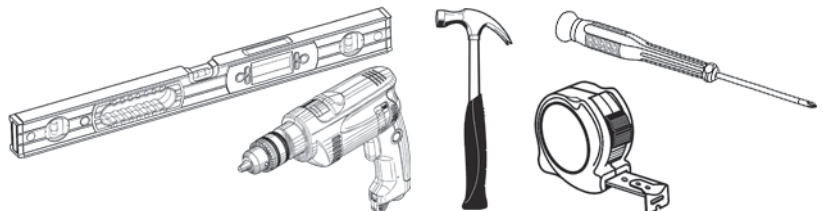
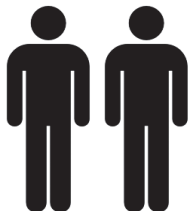
B - 374 / 1202 / 519 [mm]

C - 1321 / 801 / 388 [mm]

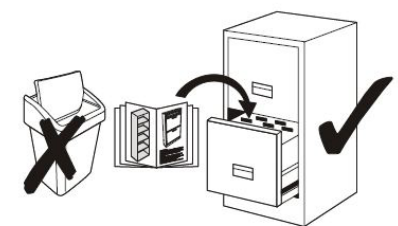
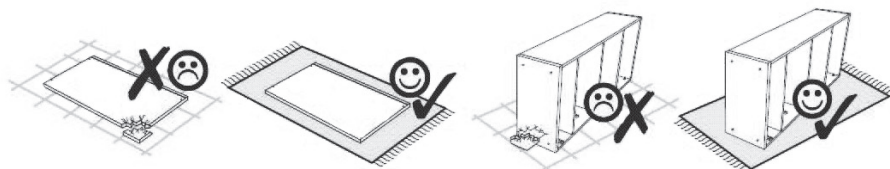
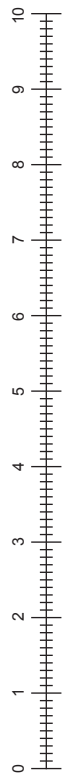
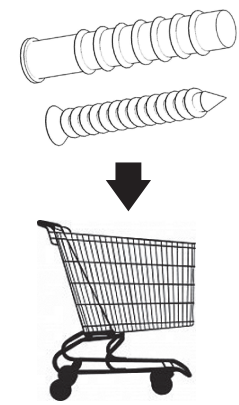
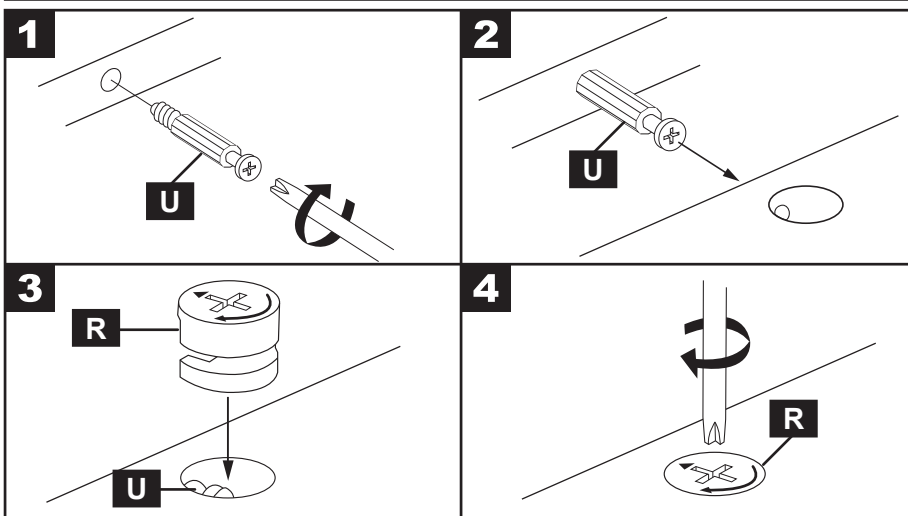
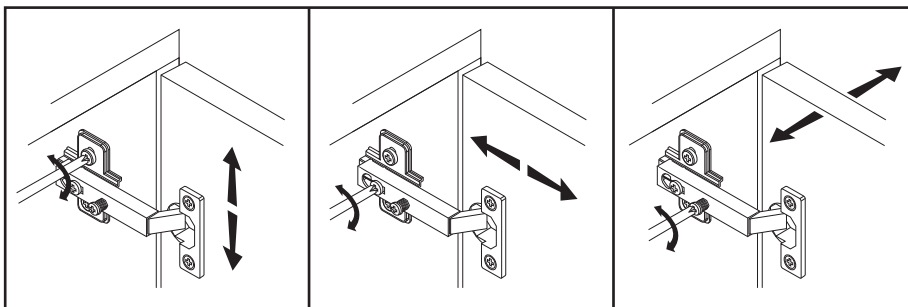
D - 650 / 1200 / 269 [mm]



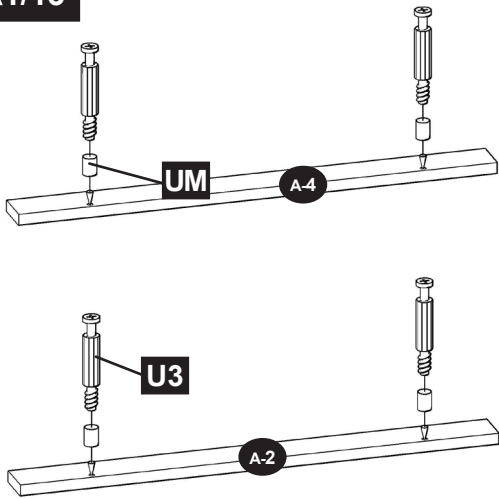
60 min.



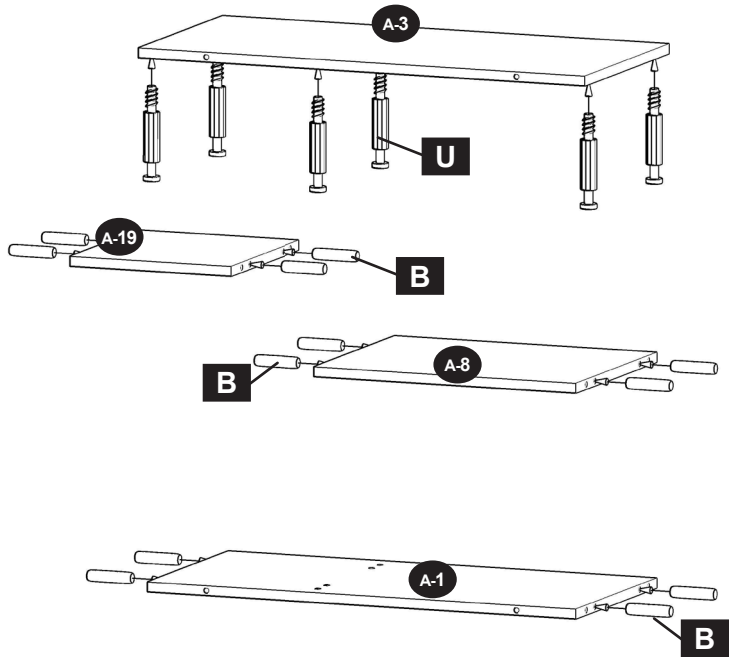
A 7x50 x14	B 8x32 x20	B2 8x50 x4	C x7	D x7	E 3,5x13 x15
E2 3x20 x22	E8 5x50 x1	EG 4x25 x4	G2 x4	G3 x1	H1 x10
M x2	P x16	P2 x8	Q2 x10	R x10	T 6,3x13 x14
U x6	U3 x4	UM x4	W1 x1	Z x10	Z2 x2
Z5 ø5 x14	 x1	 x1			



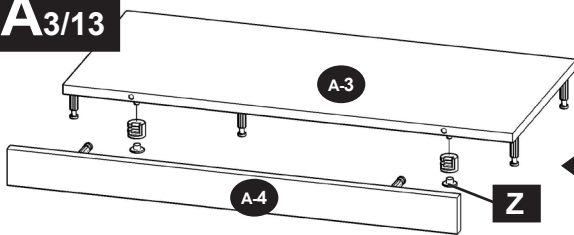
A1/13



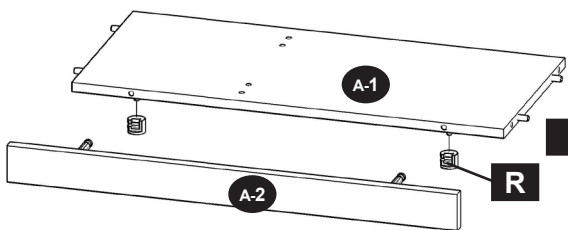
A2/13



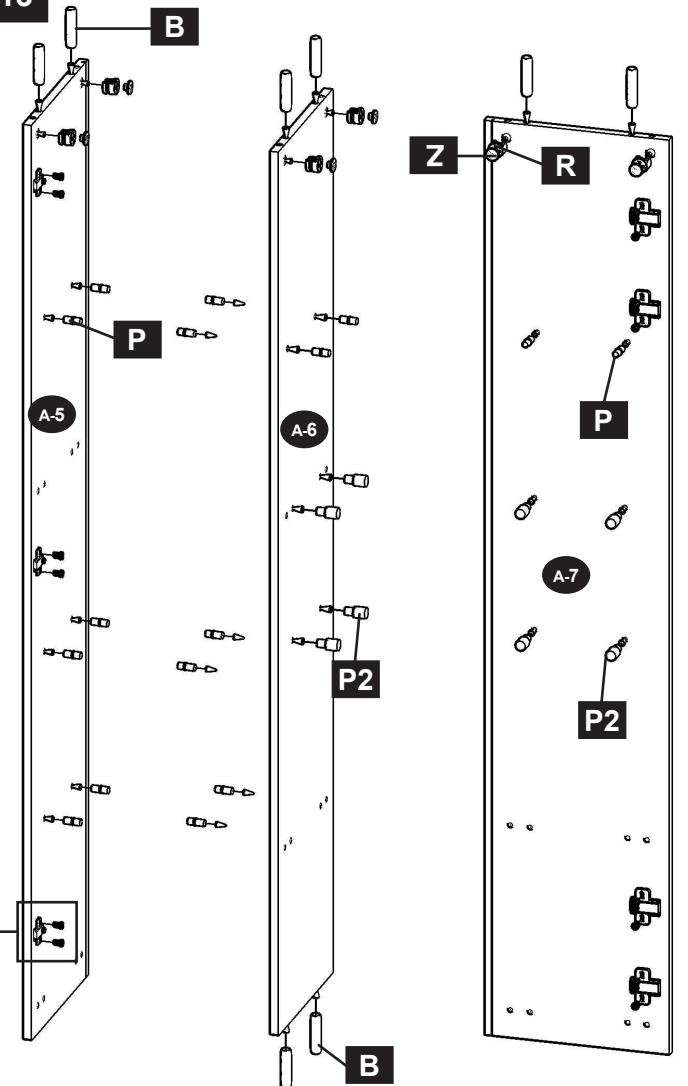
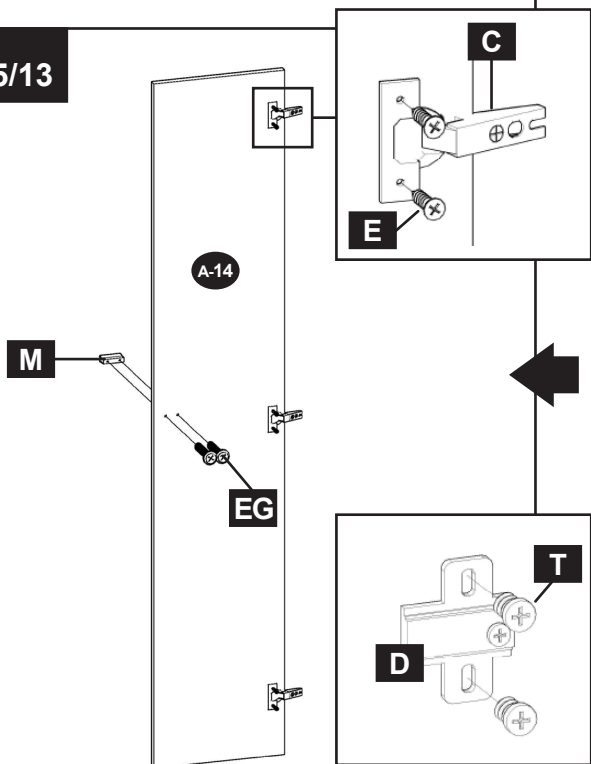
A3/13



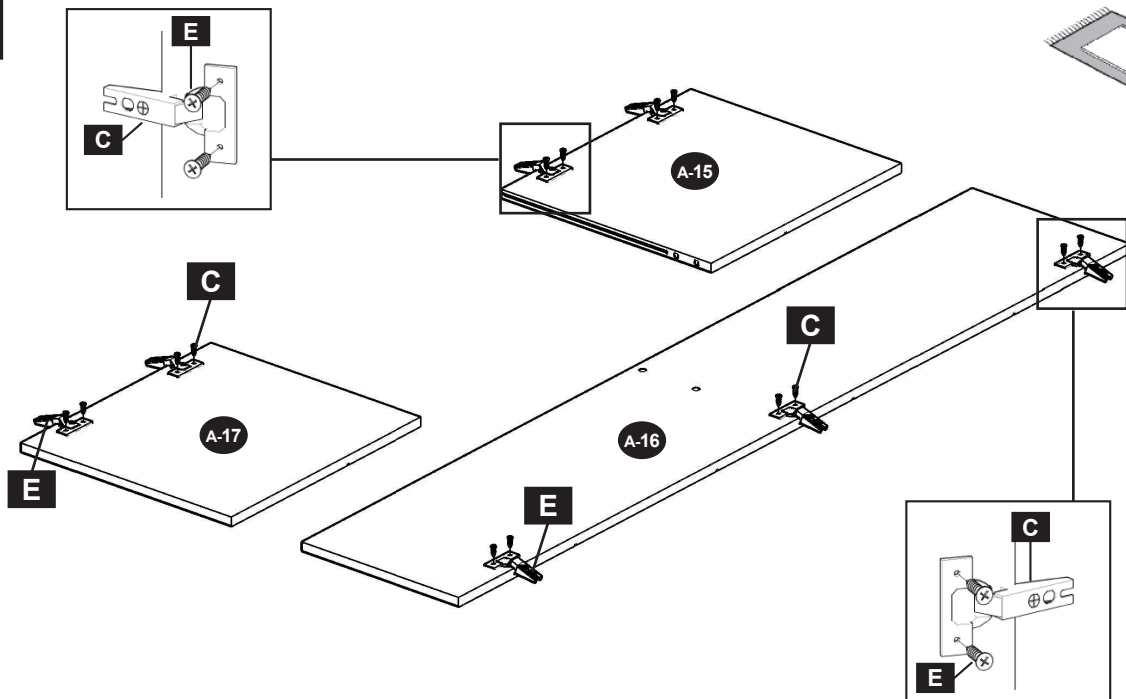
A4/13



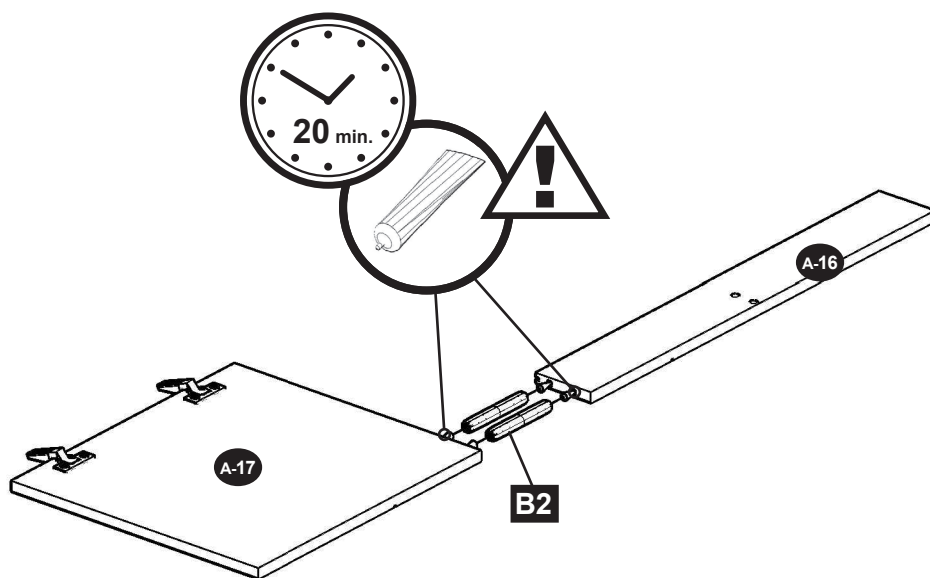
A5/13



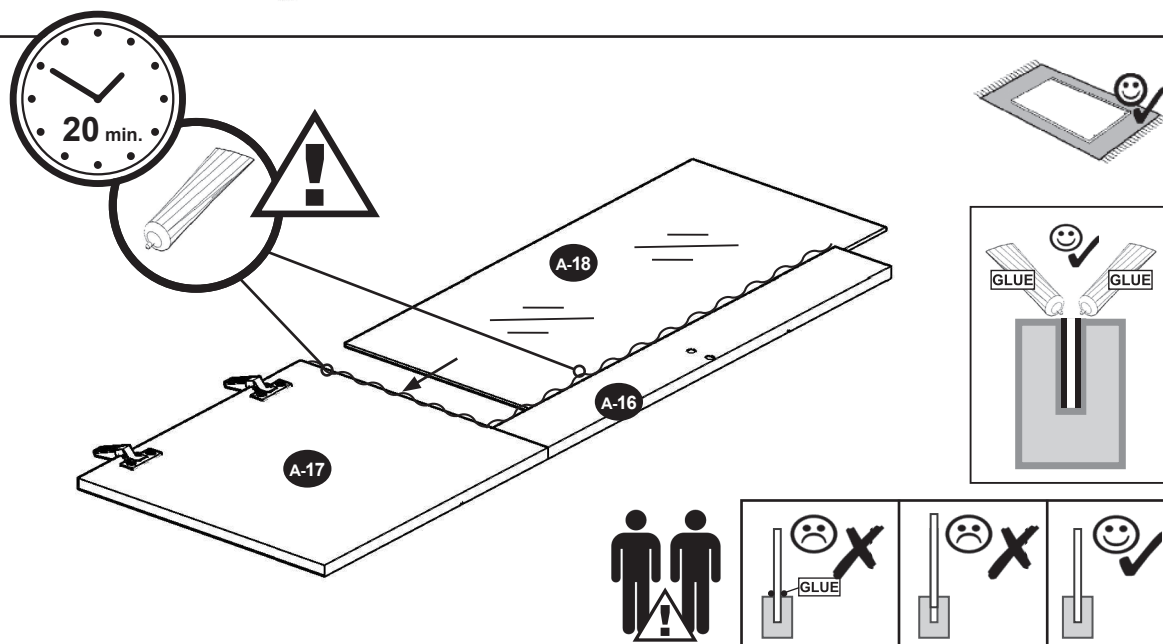
A6/13



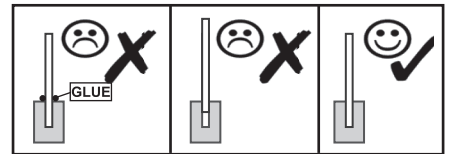
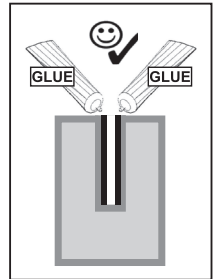
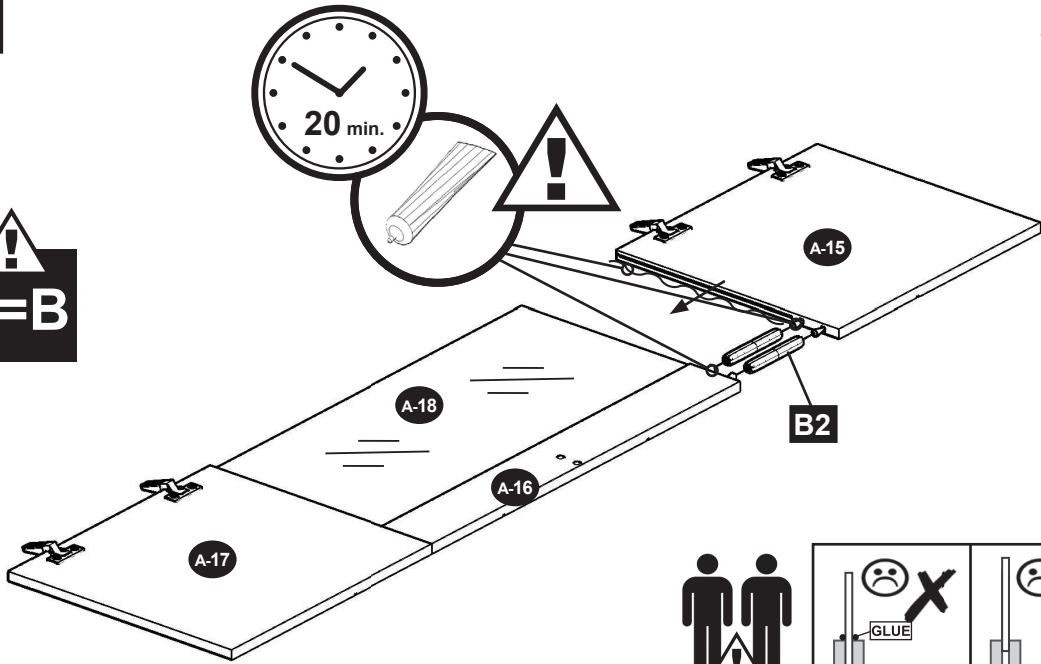
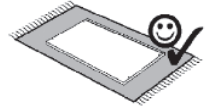
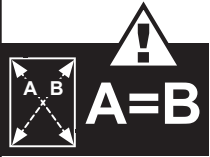
A7/13



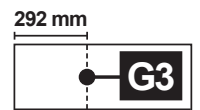
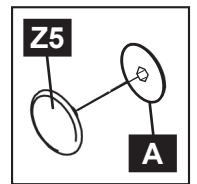
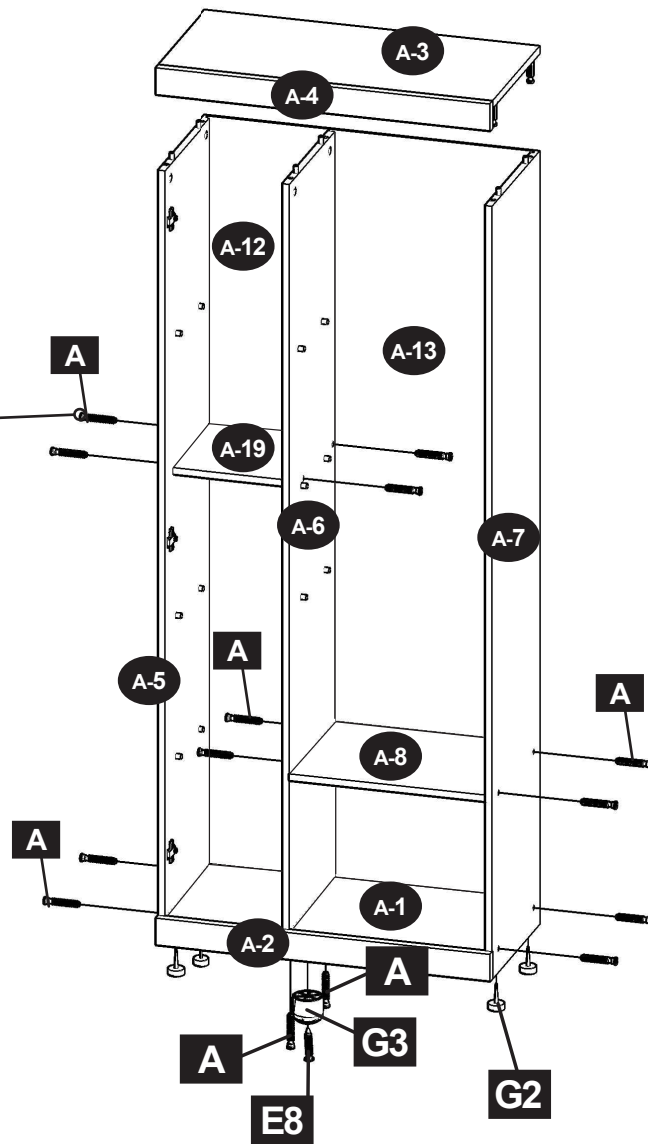
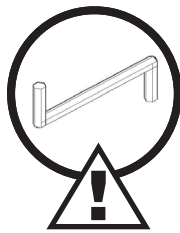
A8/13



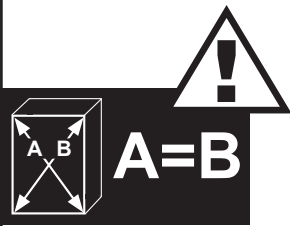
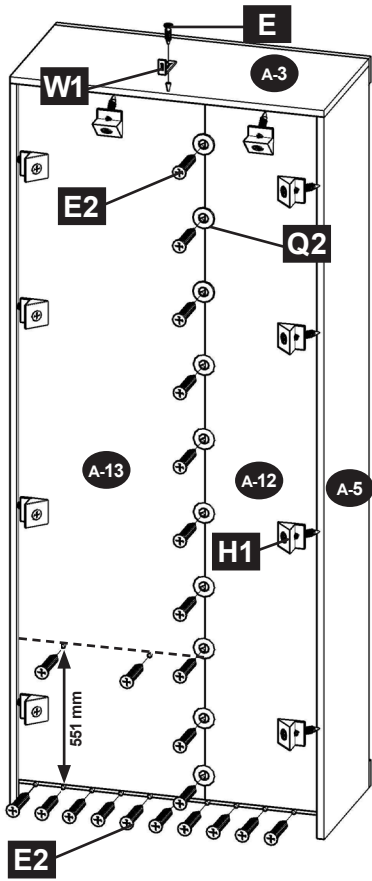
A9/13



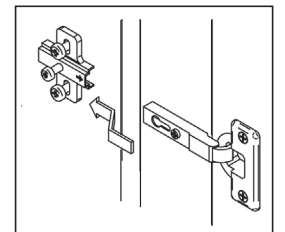
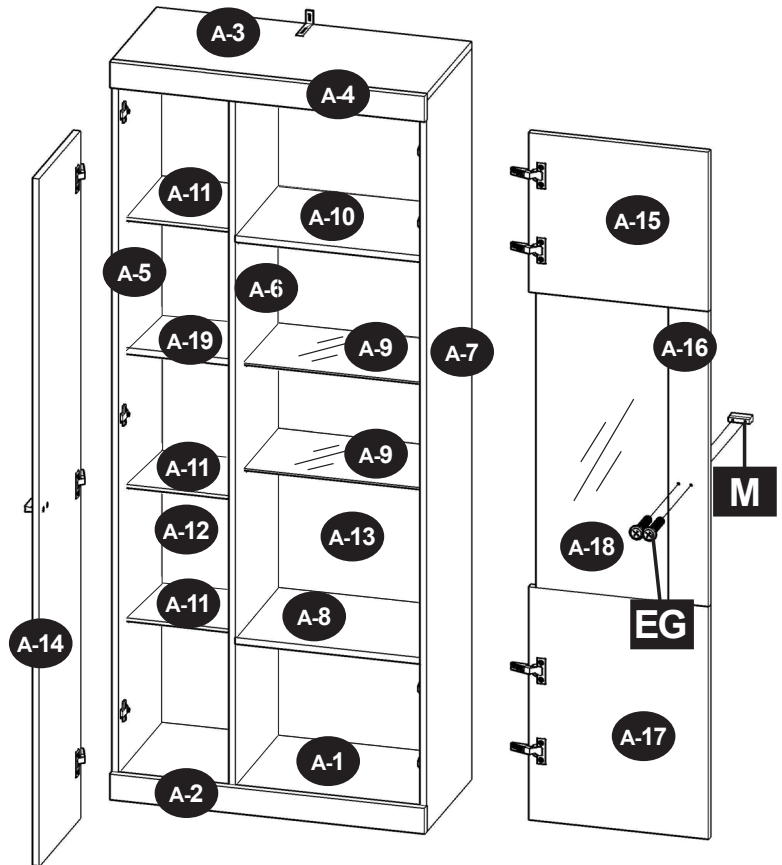
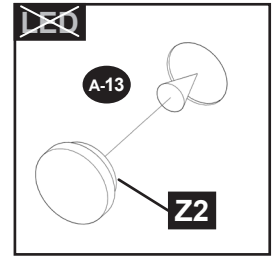
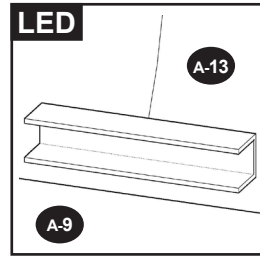
A10/13



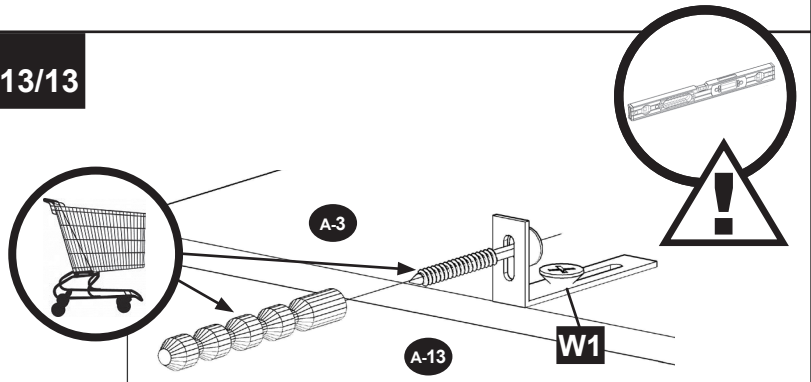
A11/13



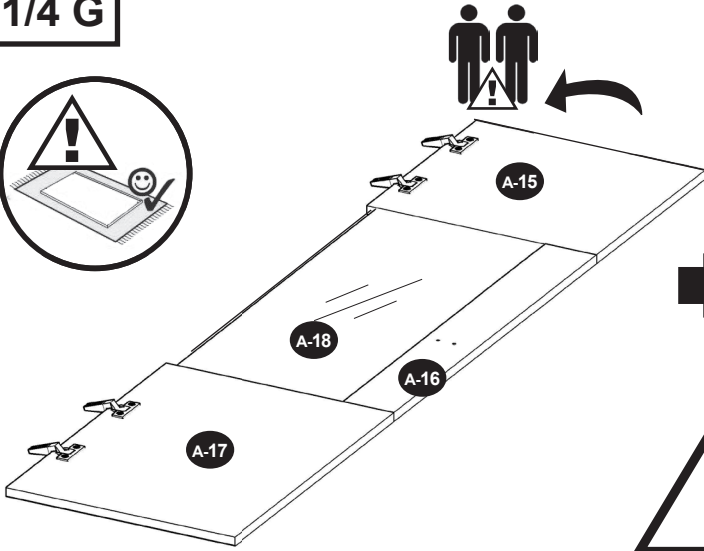
A12/13



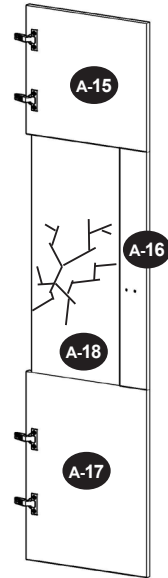
A13/13



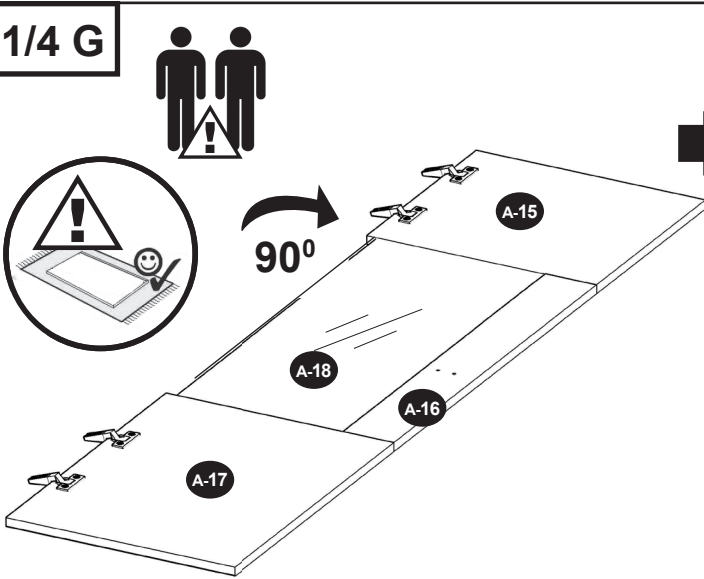
1/4 G



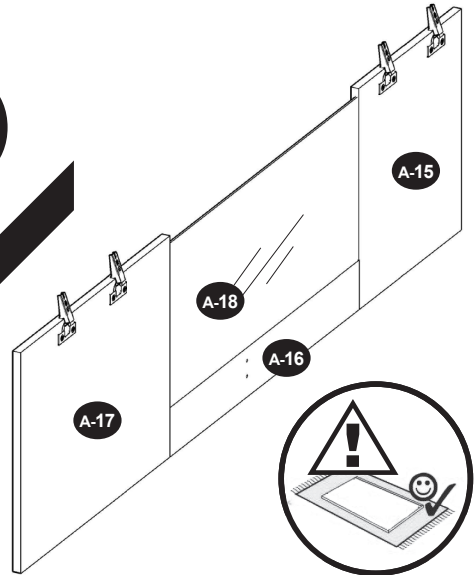
2/4 G



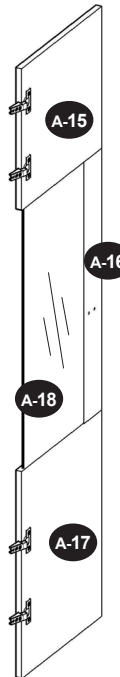
1/4 G



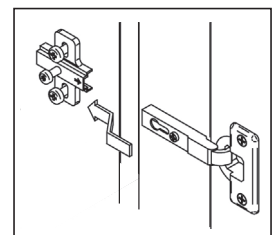
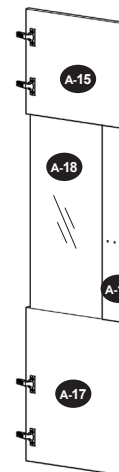
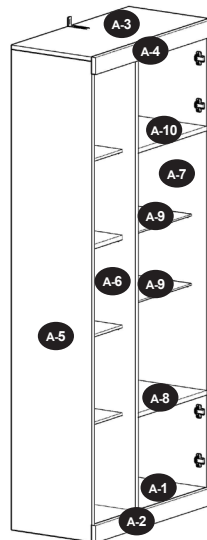
2/4 G



3/4 G



4/4 G



RED

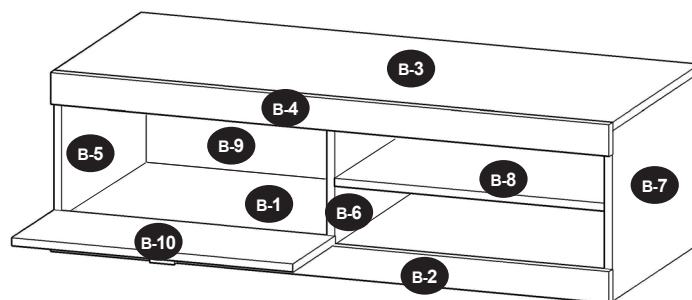
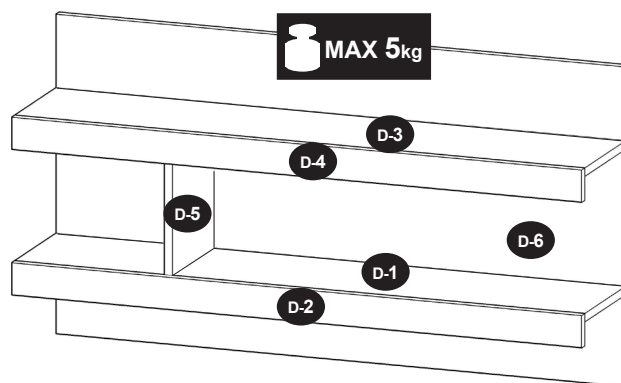
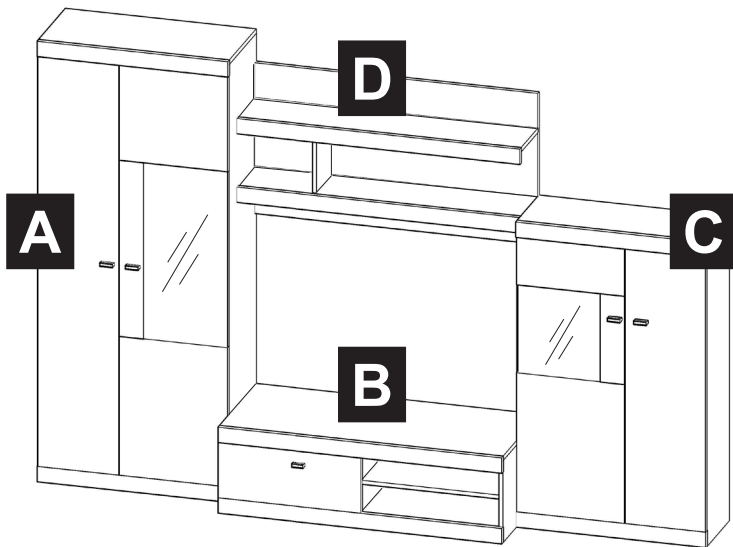
RED - 1905 / 2805 / 519 [mm]

A - 1905 / 802 / 390 [mm]

B - 374 / 1202 / 519 [mm]

C - 1321 / 801 / 388 [mm]

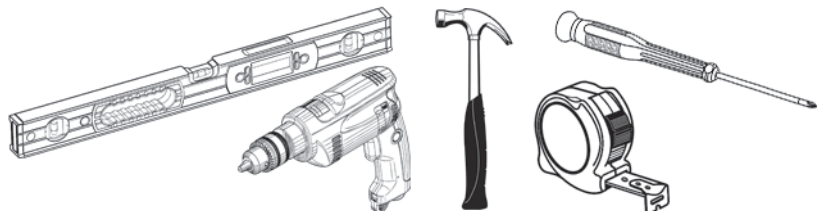
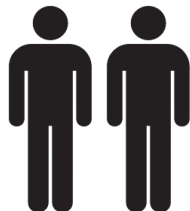
D - 650 / 1200 / 269 [mm]

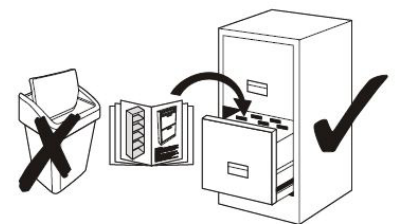
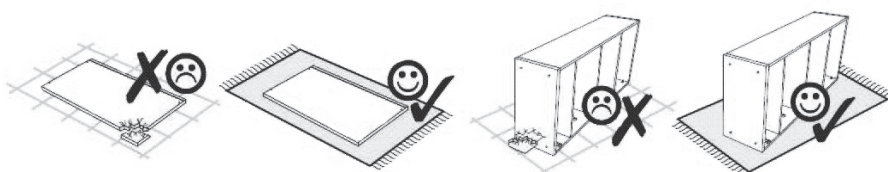
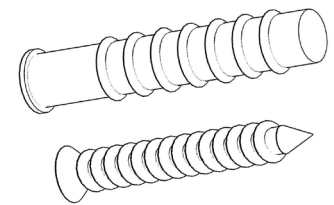
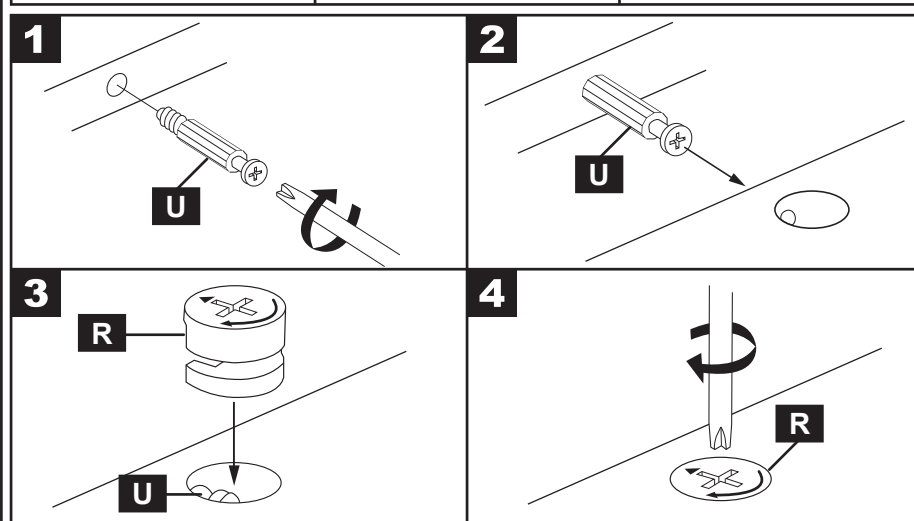
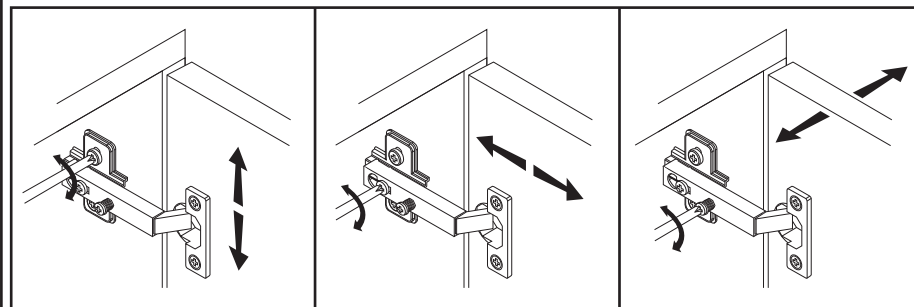
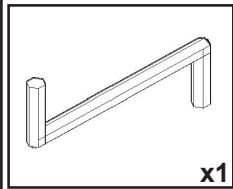
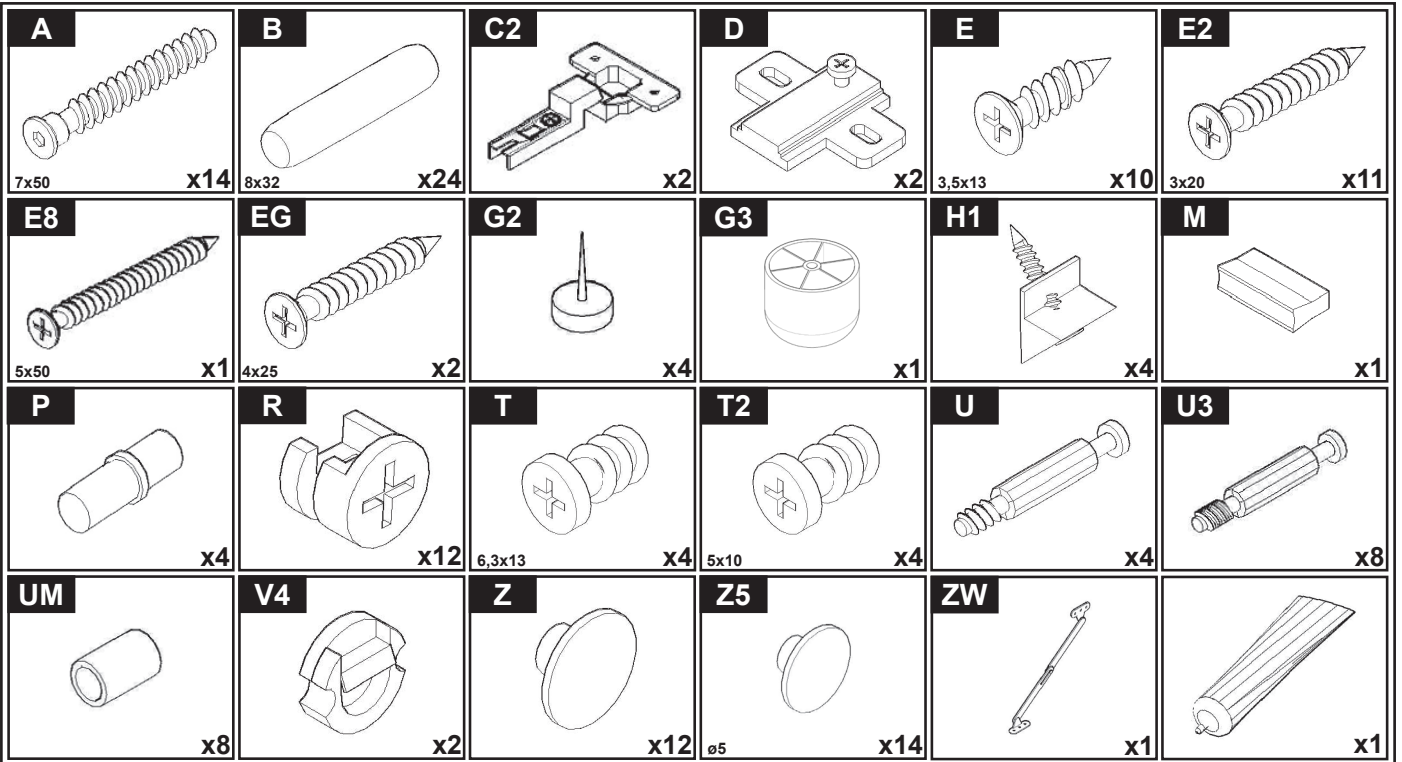


D

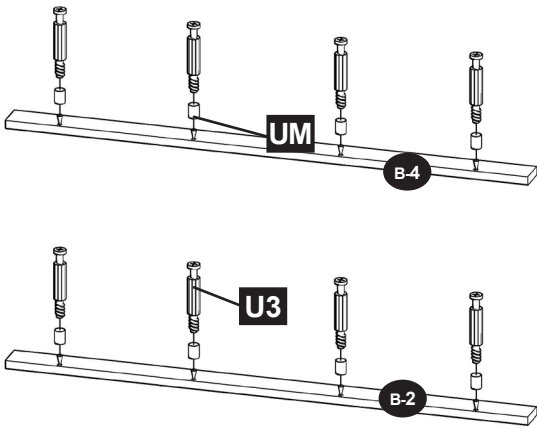
B

60 min.

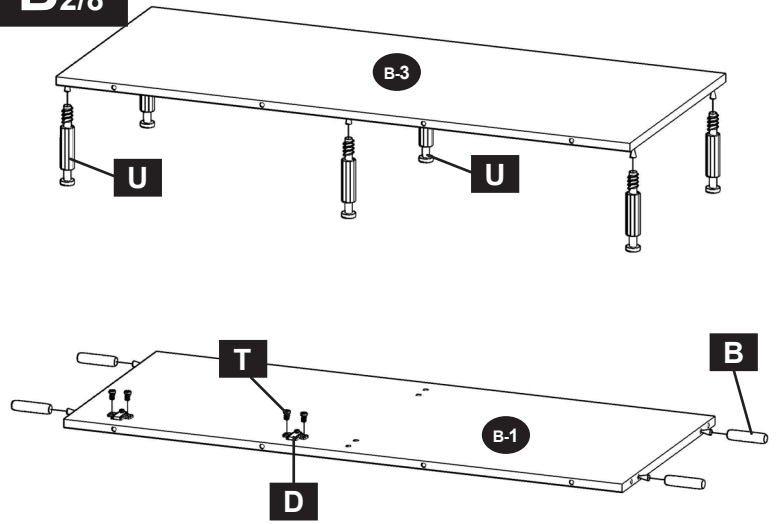




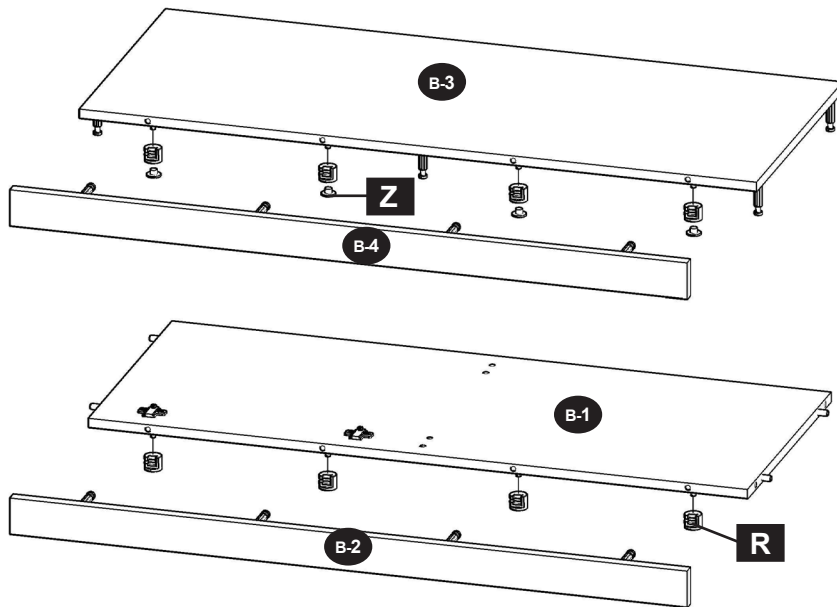
B_{1/8}



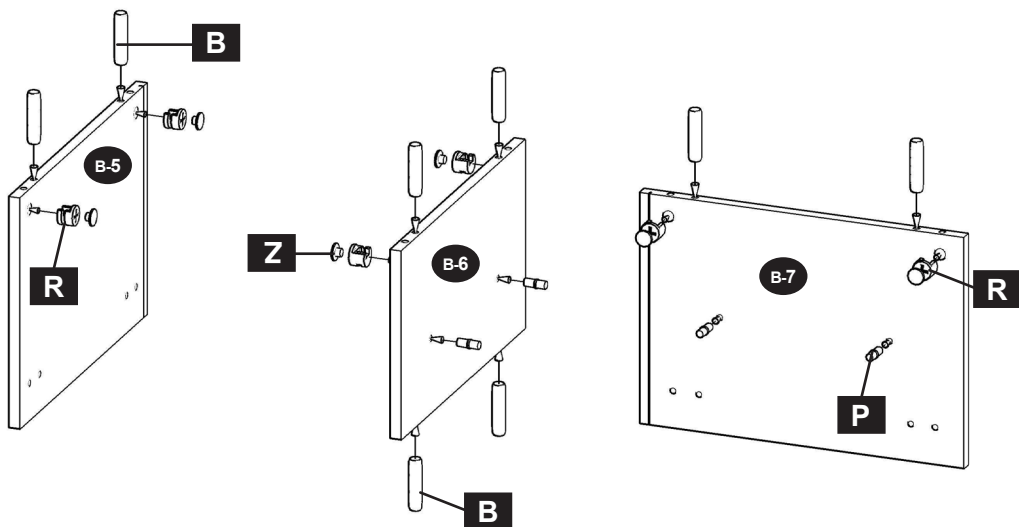
B_{2/8}



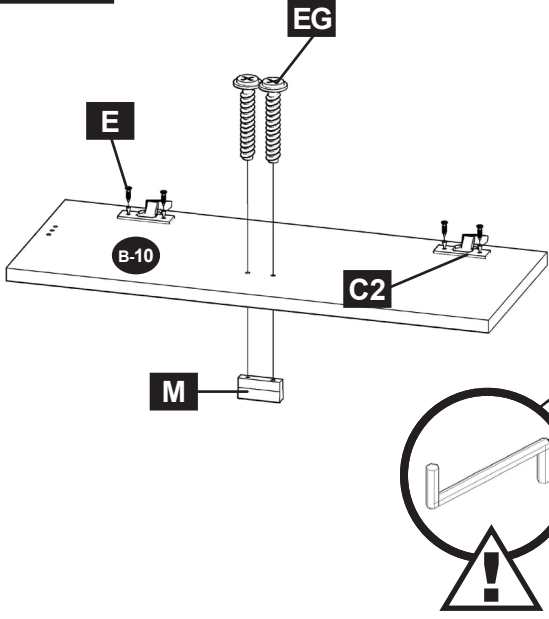
B_{3/8}



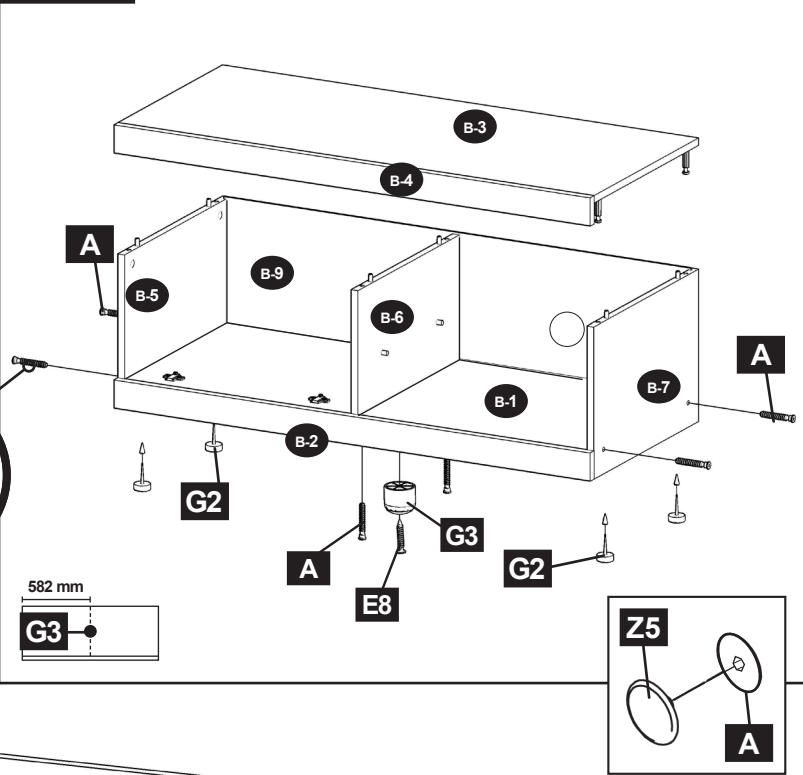
B_{4/8}



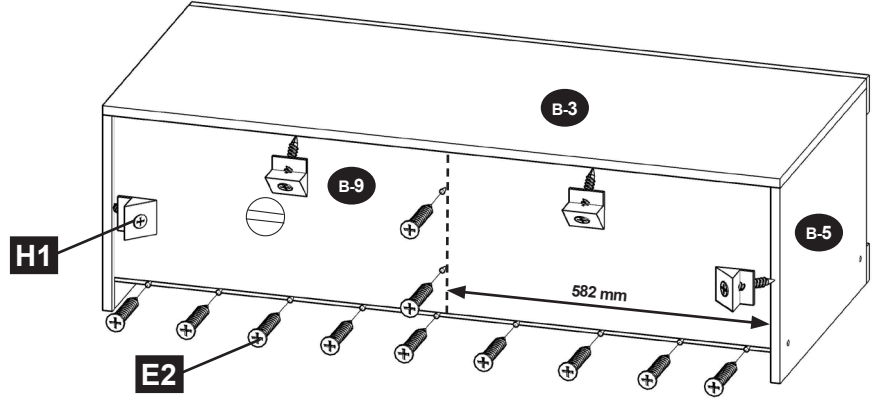
B5/8



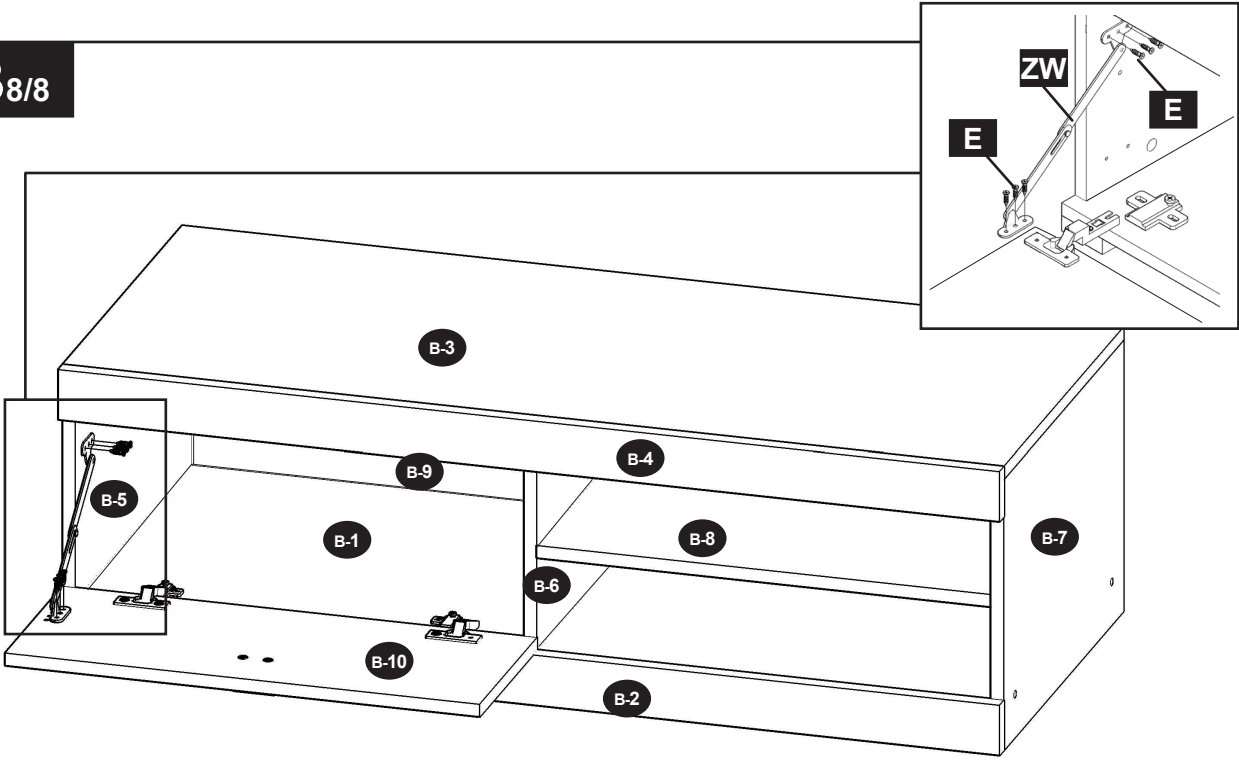
B6/8



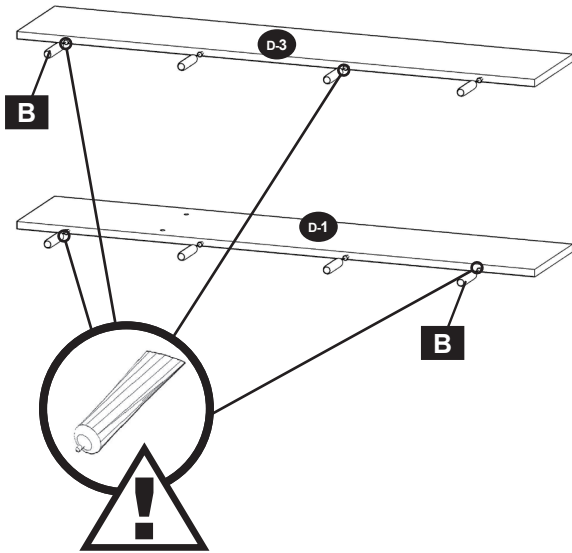
B7/8



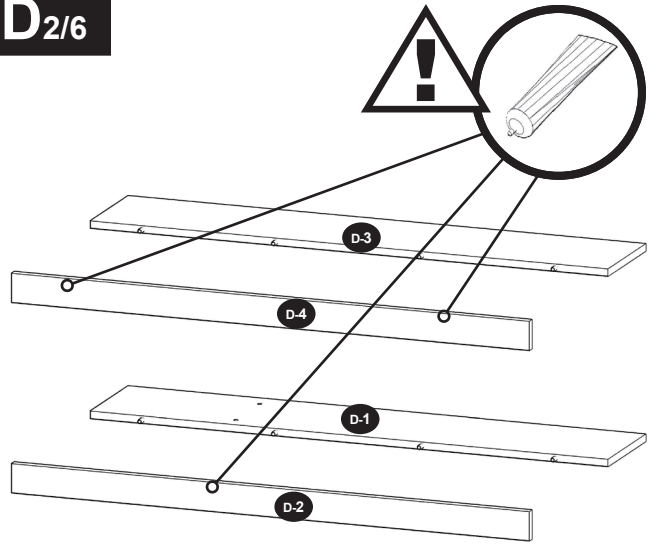
B8/8



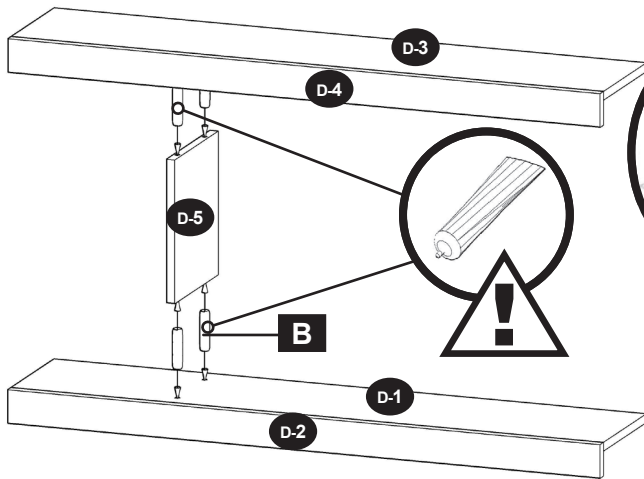
D1/6



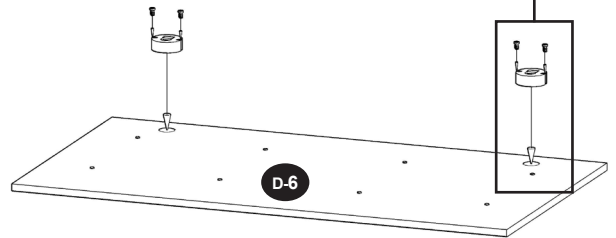
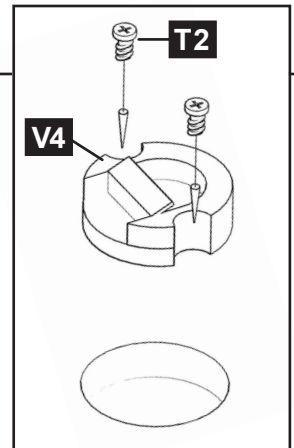
D2/6



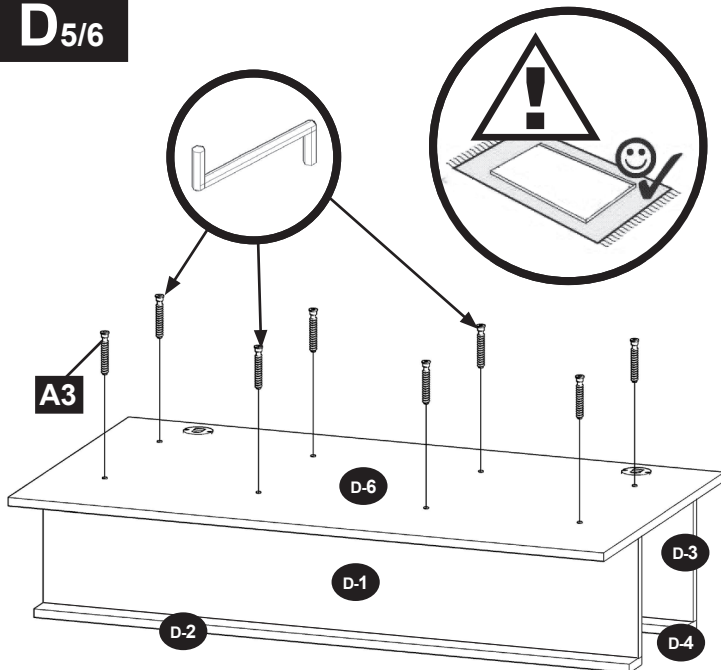
D3/6



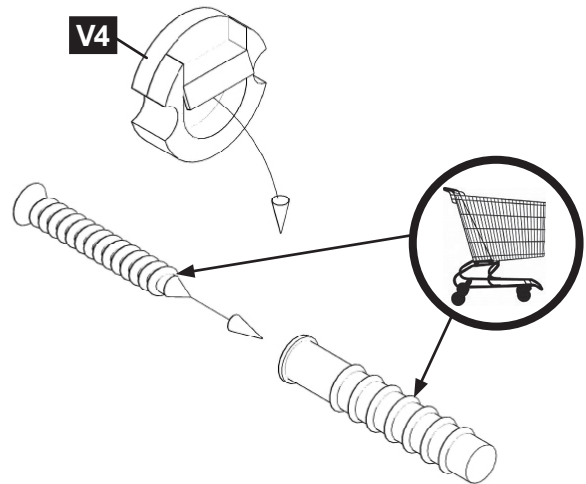
D4/6



D5/6



D6/6



RED

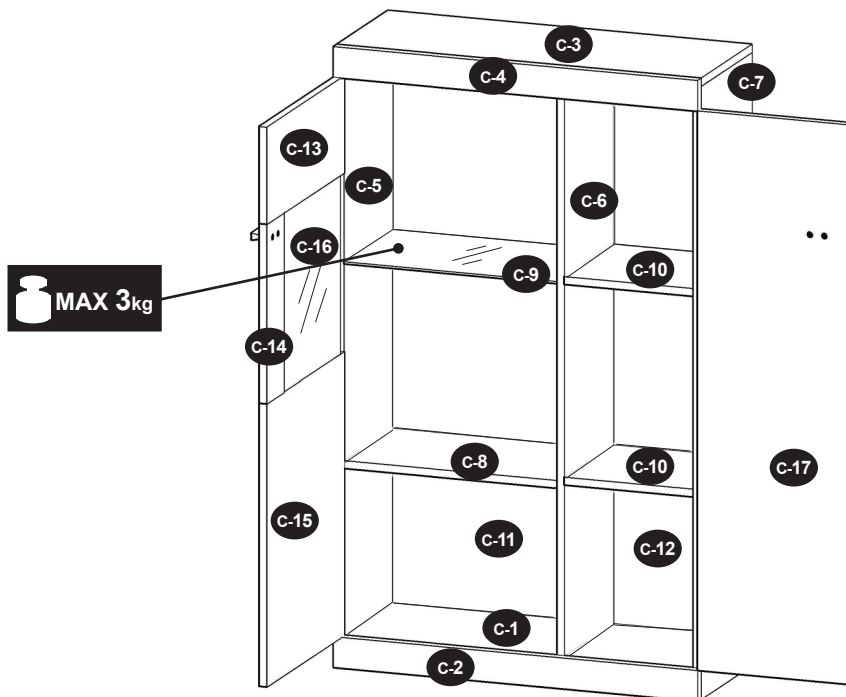
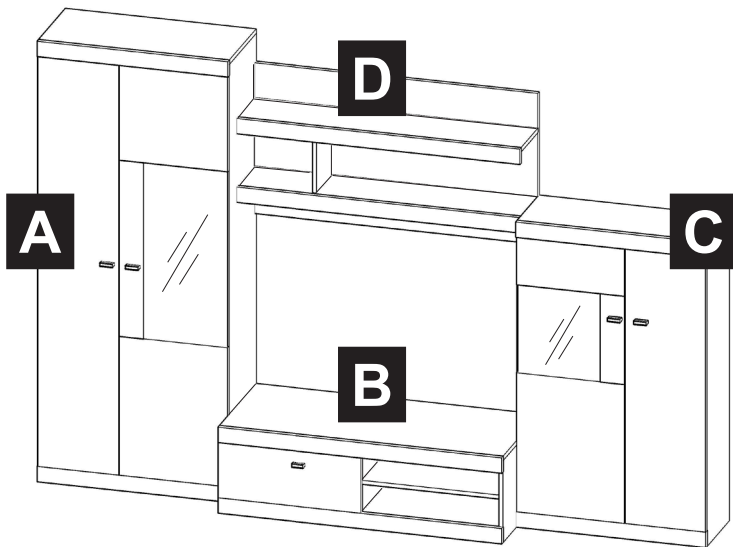
RED - 1905 / 2805 / 519 [mm]

A - 1905 / 802 / 390 [mm]

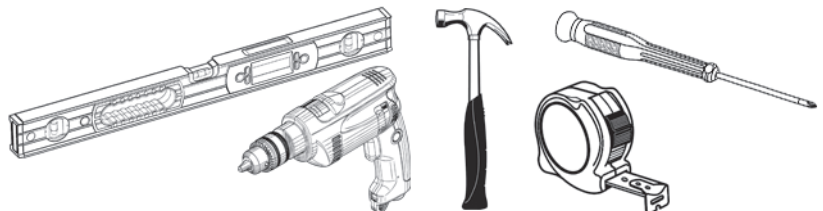
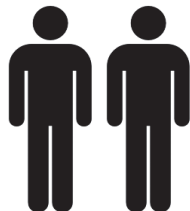
B - 374 / 1202 / 519 [mm]

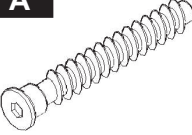

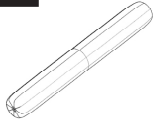
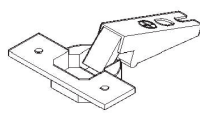
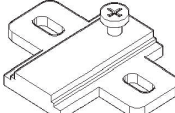
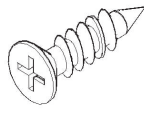
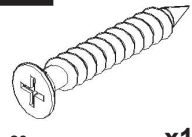

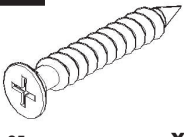
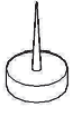

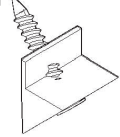
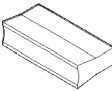
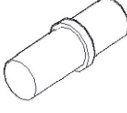
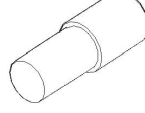

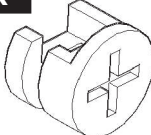
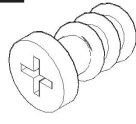
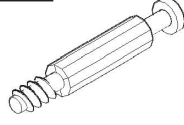




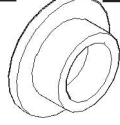

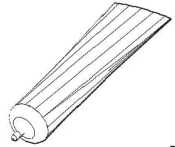
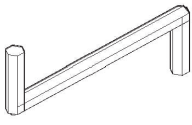
C - 1321 / 801 / 388 [mm]

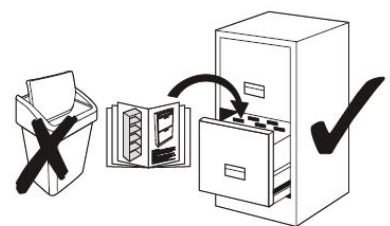
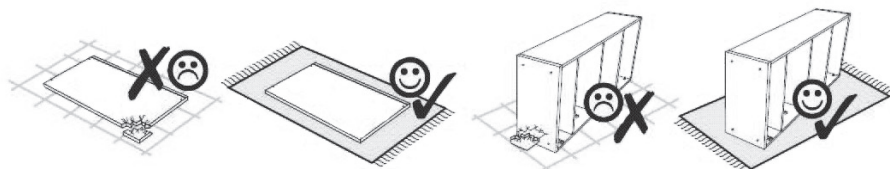
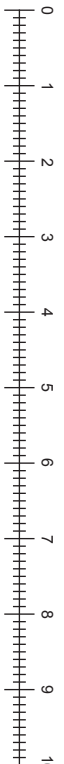
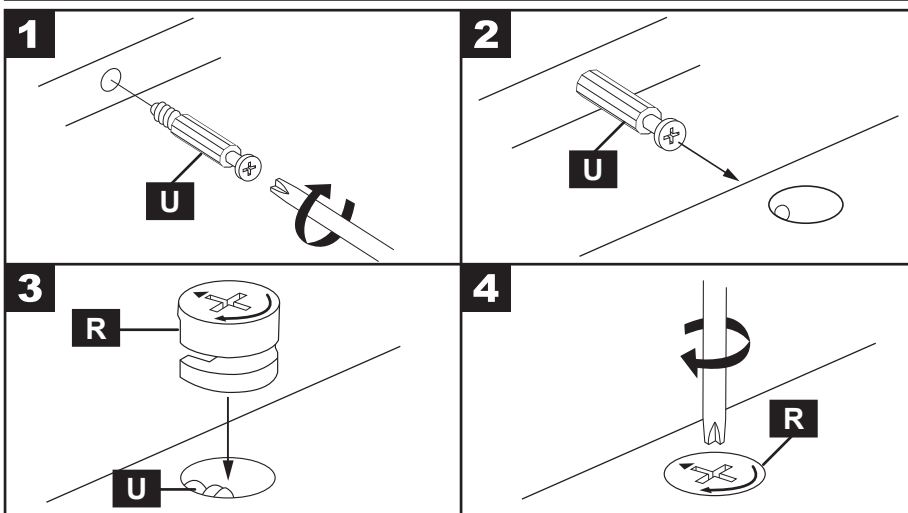
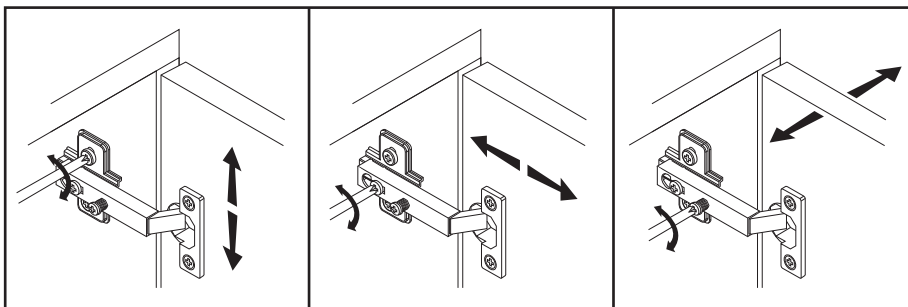
D - 650 / 1200 / 269 [mm]



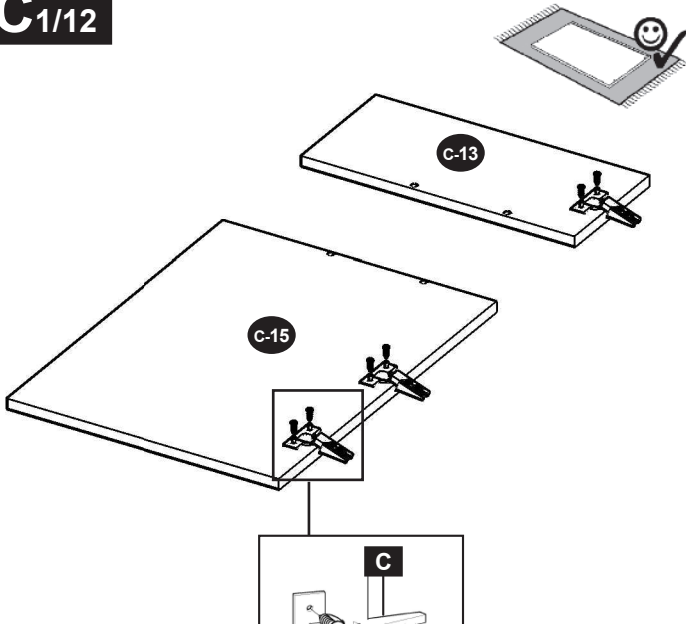
45 min.



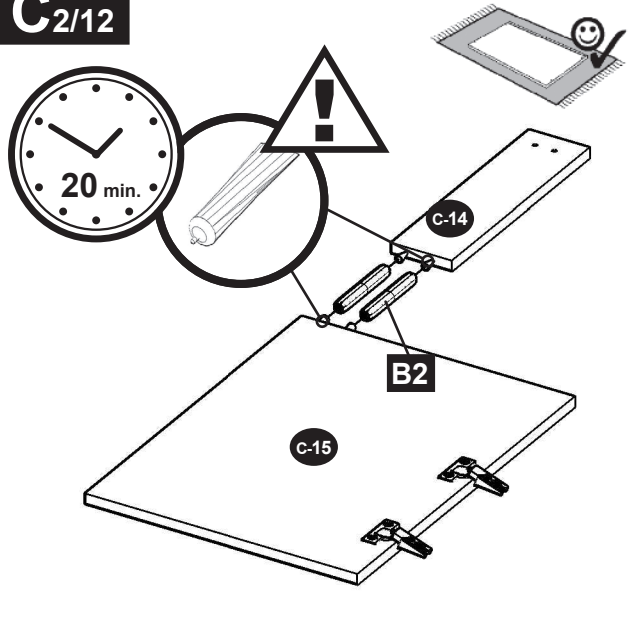
A  7x50 x10	B  8x32 x16	B2  8x50 x4	C  x5	D  x5	E  3,5x13 x12
E2  3x20 x16	E8  5x50 x1	EG  4x25 x4	G2  x4	G3  x1	H1  x8
M  x2	P  x8	P2  x4	Q2  x6	R  x10	T  6,3x13 x10
U  x6	U3  x4	UM  x4	W3  x1	Z  x10	Z2  x1
Z5  ø5 x10	 x1	 x1			



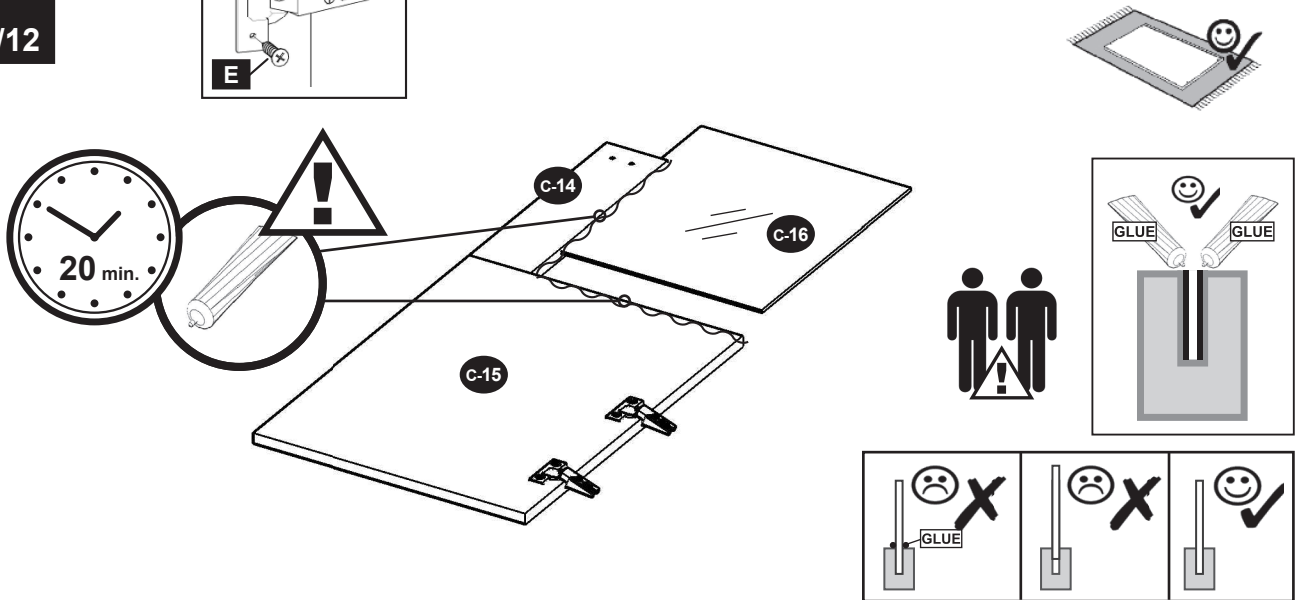
C1/12



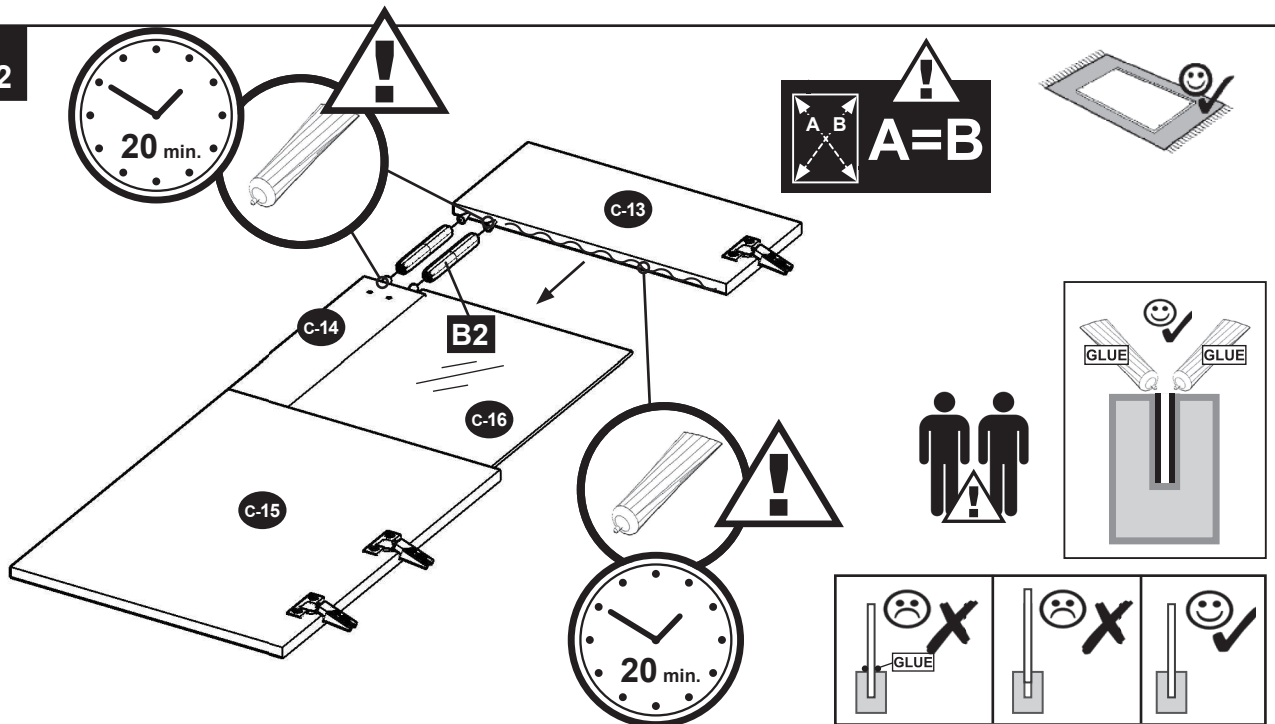
C2/12



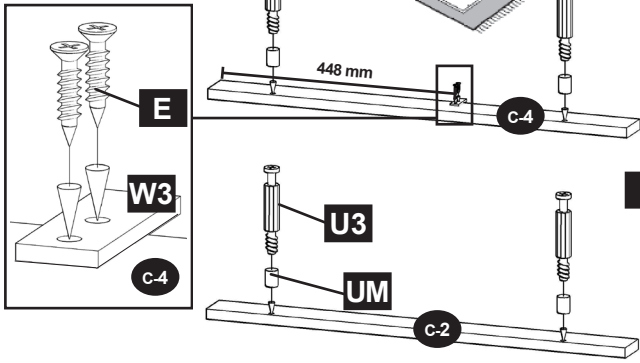
C3/12



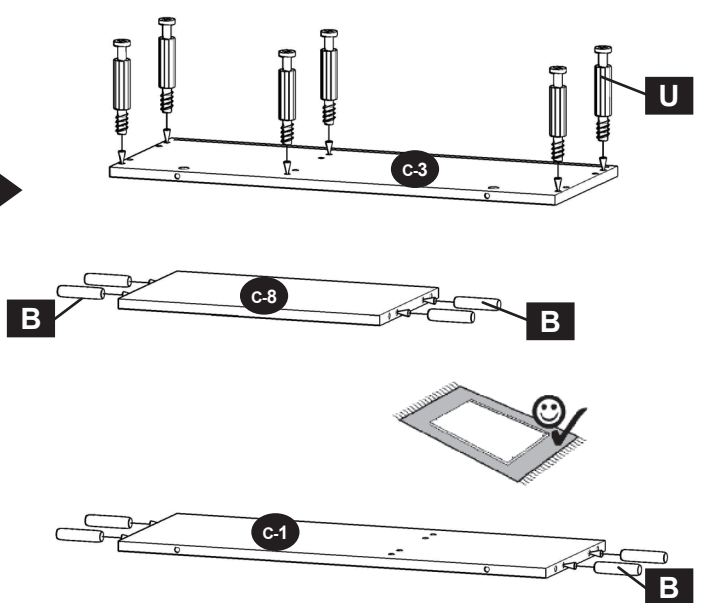
C4/12



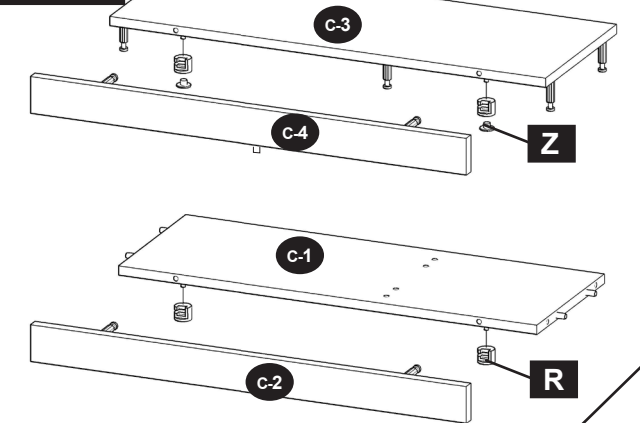
C5/12



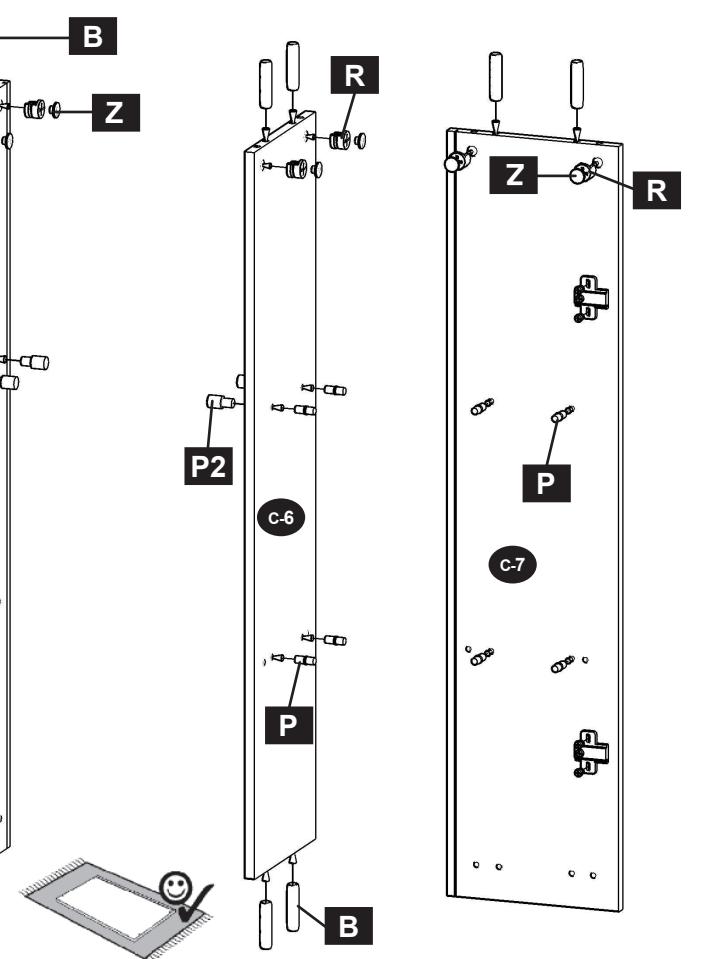
C6/12



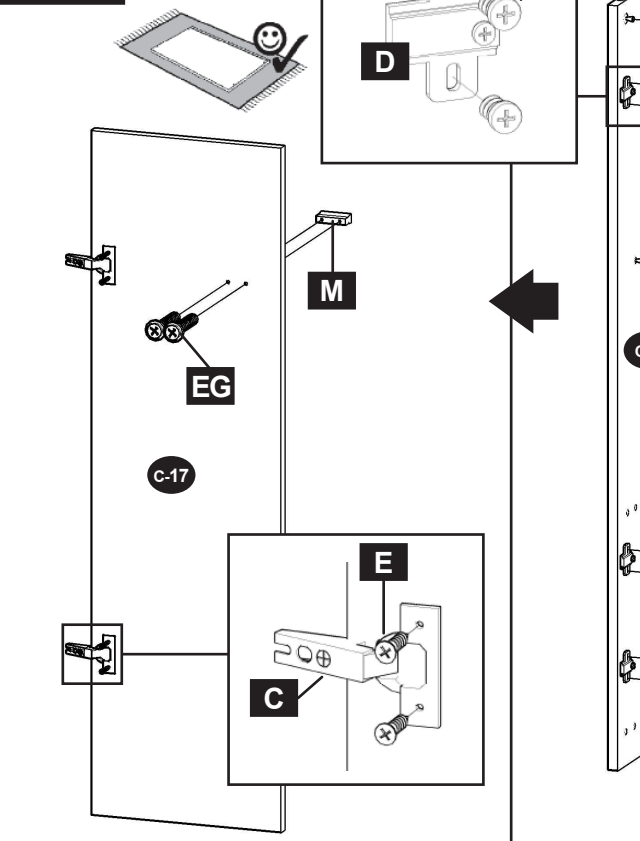
C7/12



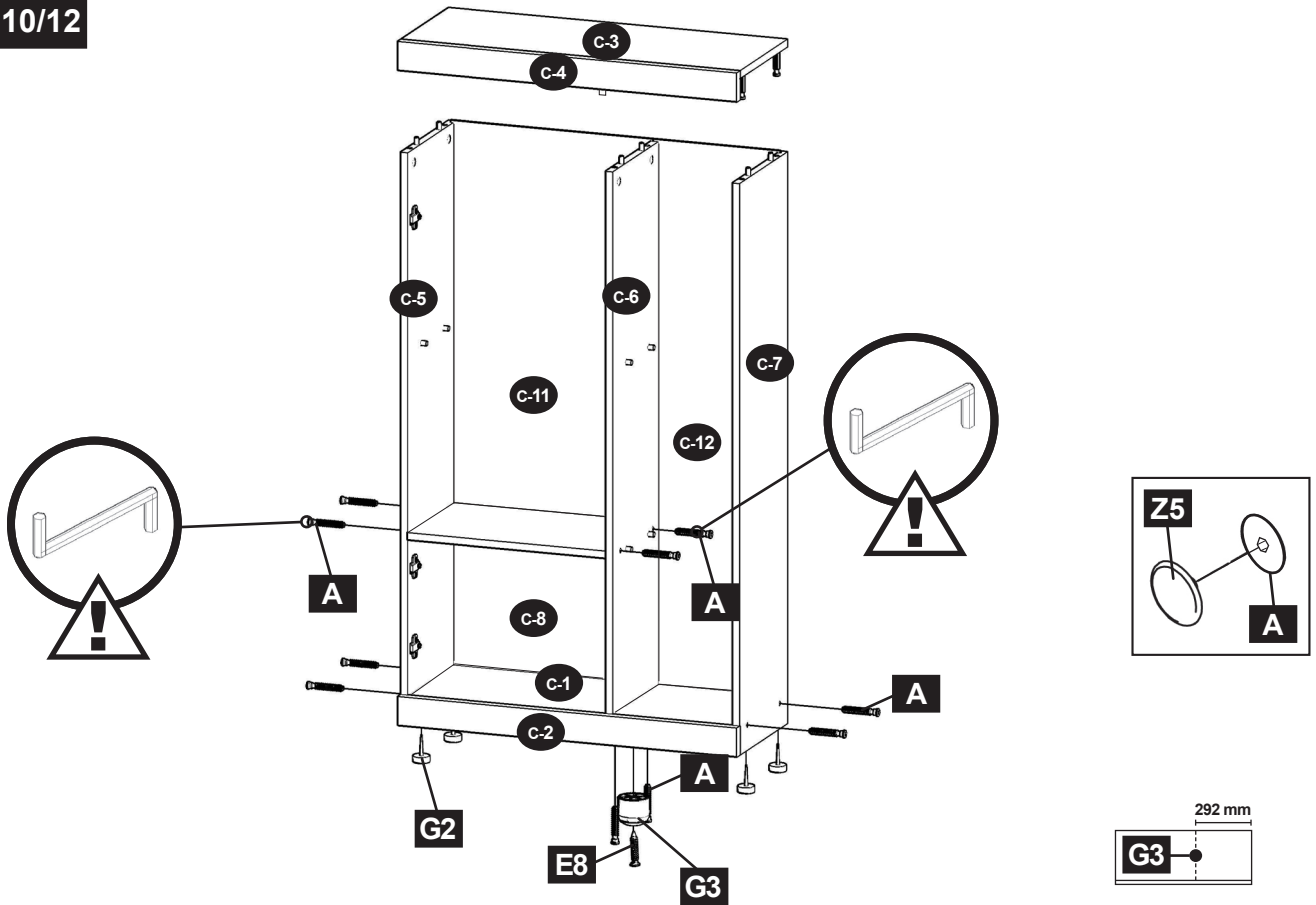
C8/12



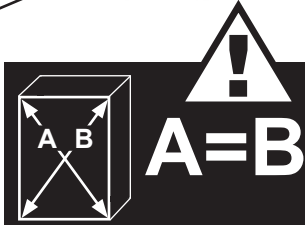
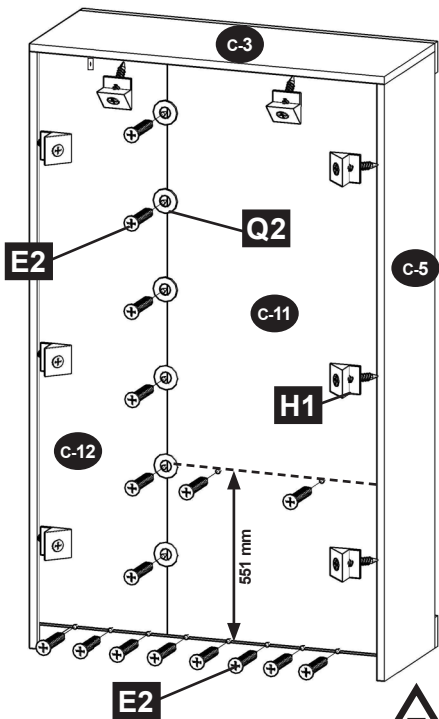
C9/12



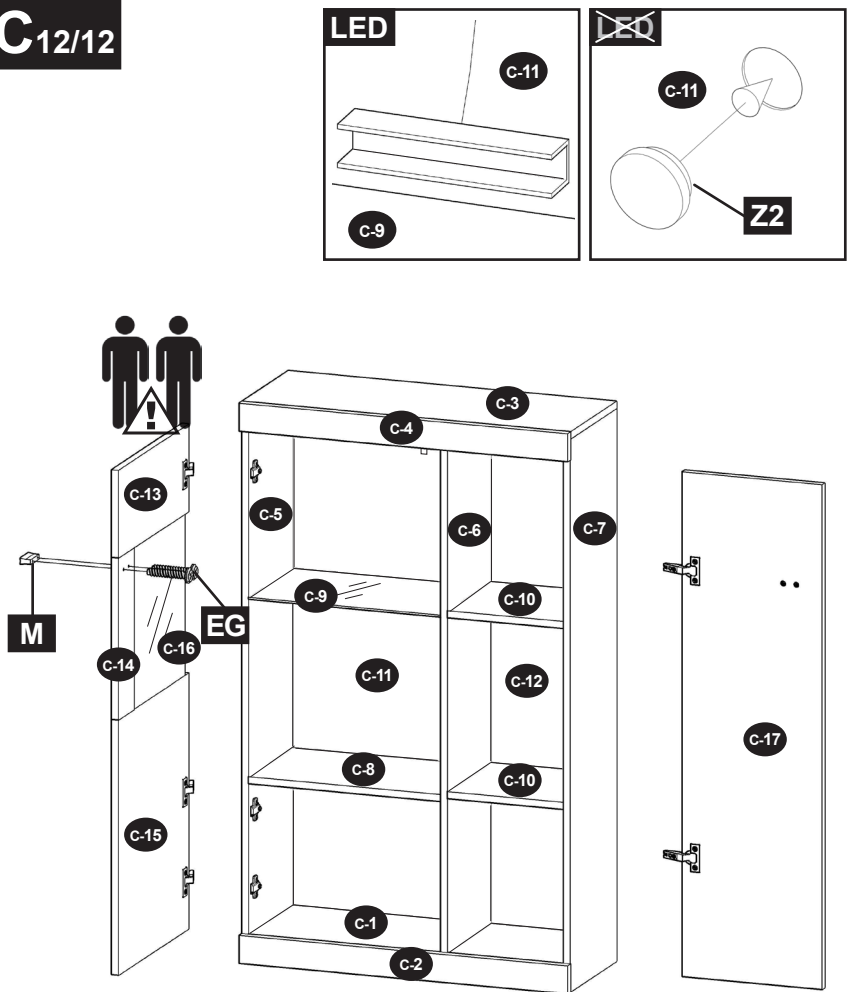
C10/12



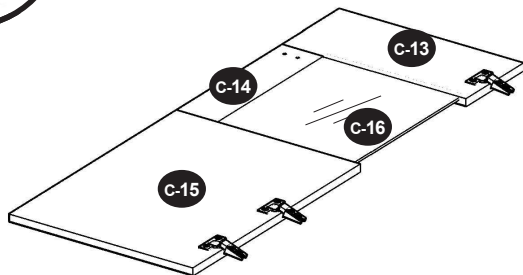
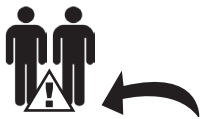
C11/12



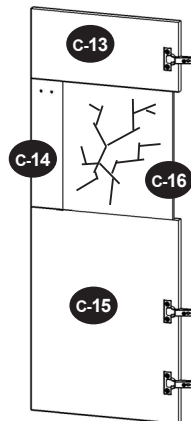
C12/12



1/4 G



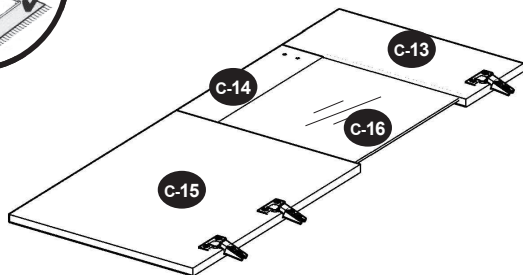
2/4 G



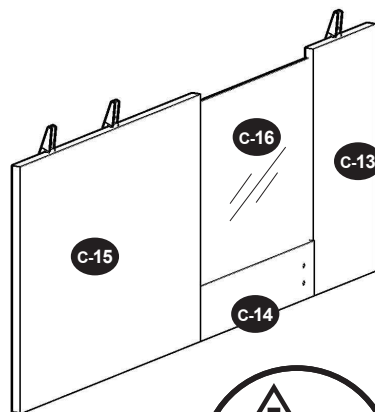
1/4 G



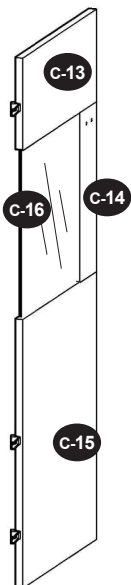
90°



2/4 G



3/4 G



4/4 G

