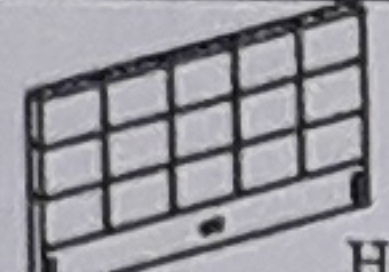




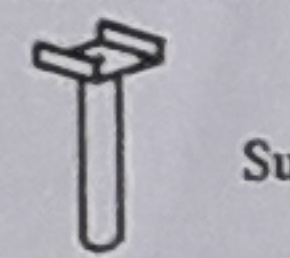

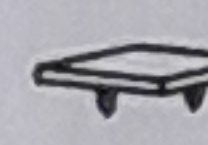

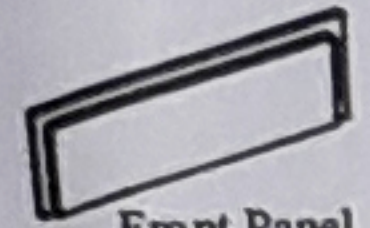
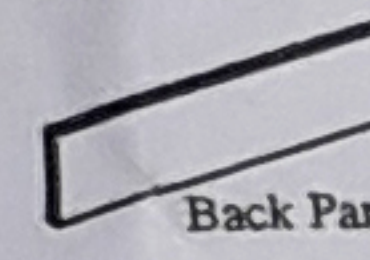

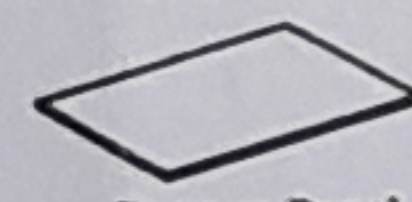
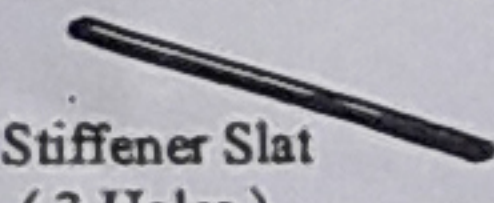


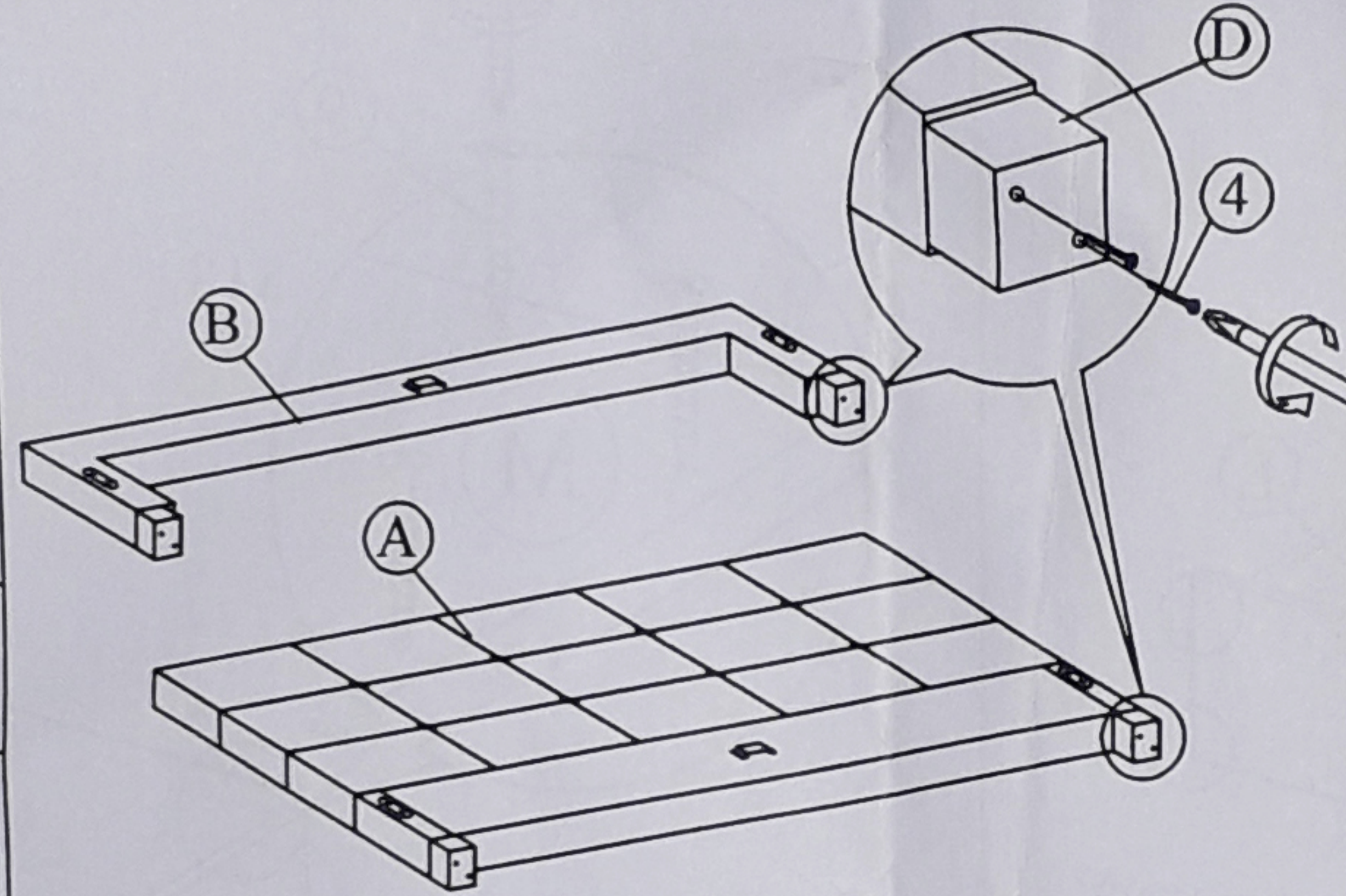
MODEL : CF 8774 (5'&5'6")

ASSEMBLY INSTRUCTION

A		1 pc
B		1 pc
C		2 pcs
D		4 pcs
E		1 pc
F		2 pcs
G		28 pcs
H		14 pcs

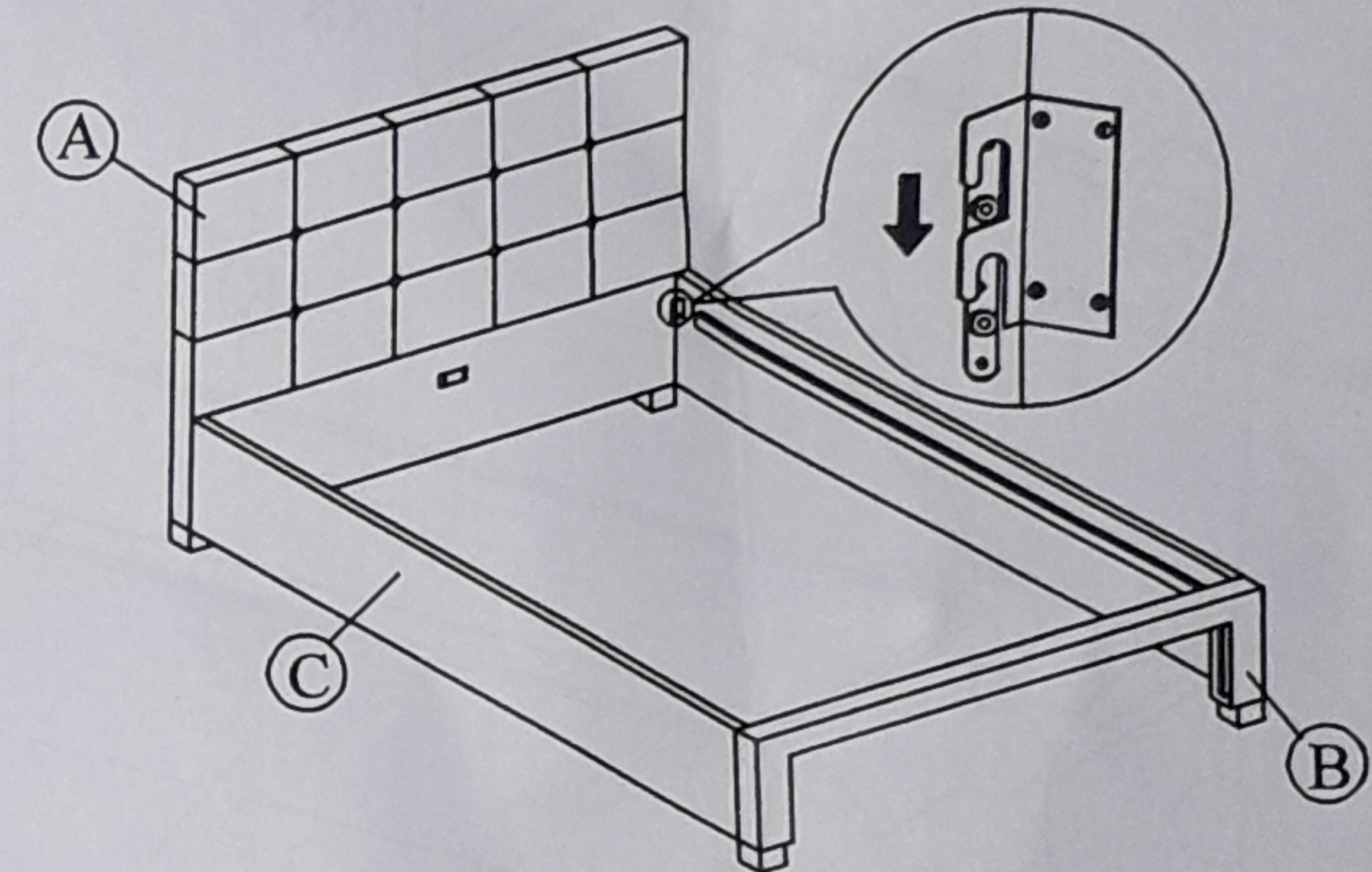
I		28 pcs
J		1 pc
K		1 pc
L		2 pcs
M		1 pc
N		2 pcs

Step 1: Tighten the legs (D) to both headboard (A) and footboard (B) as shown.



ATTENTION:
There is no predrill holes available, customers will need to screw in the legs themselves

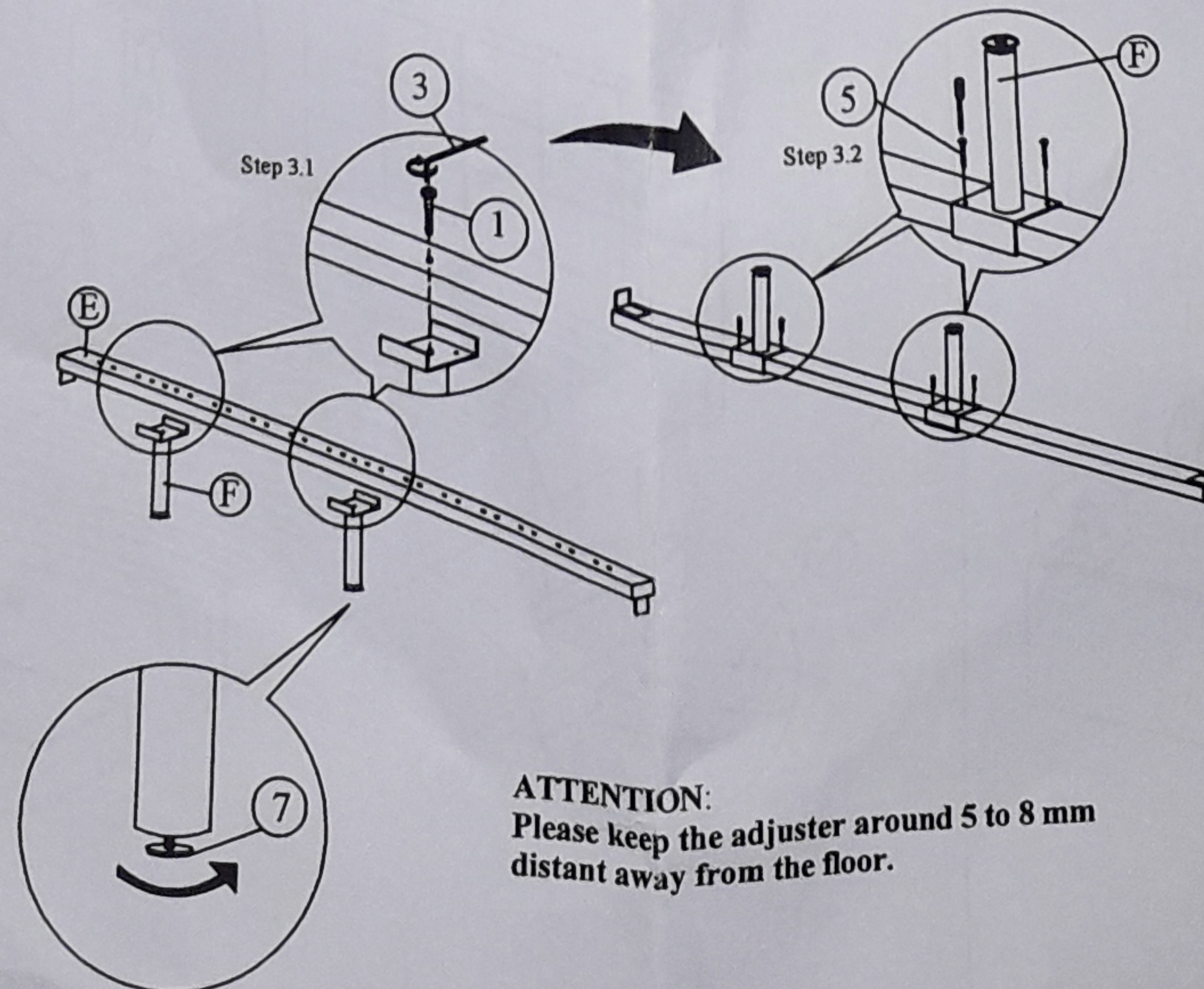
Step 2: Attach side rail (C) to headboard (A) and footboard (B) by pushing the bracket down to fit it.



hardware for bed (1)

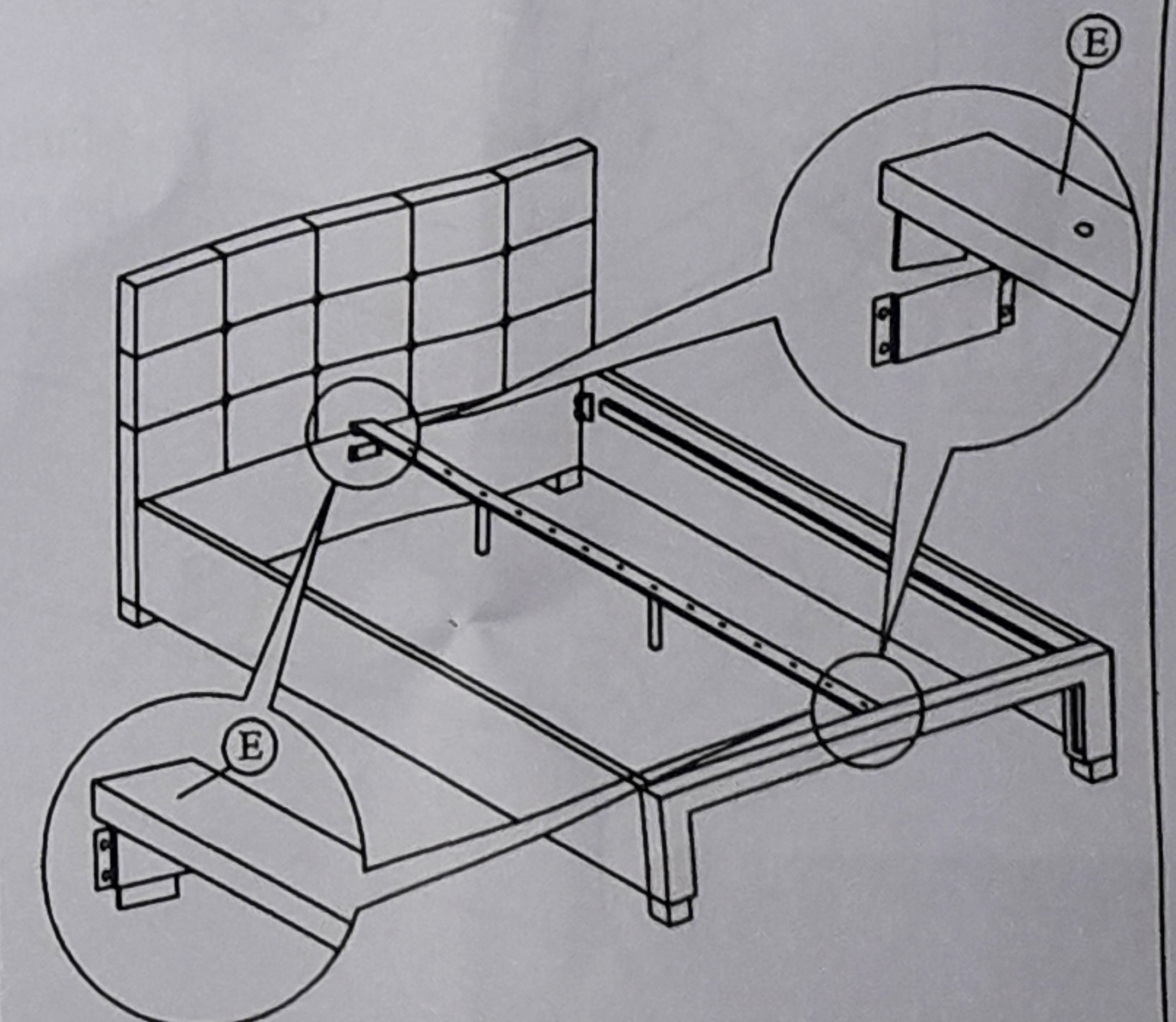
hardware for panel (2)

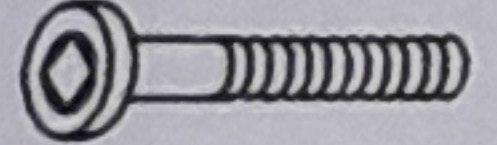


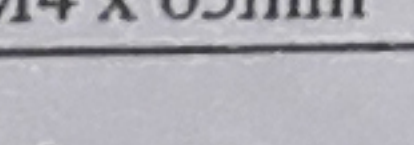
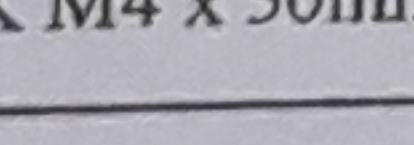
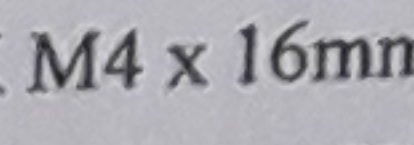
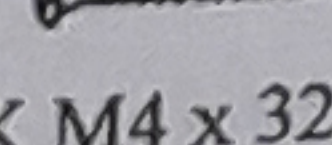
Step 3: Attach the support legs (F) to the center rail (E) of the bed as shown.

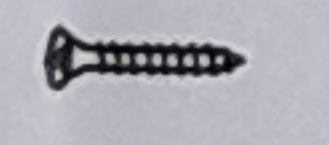
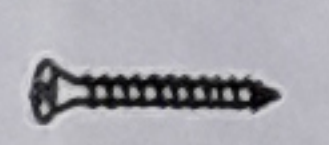
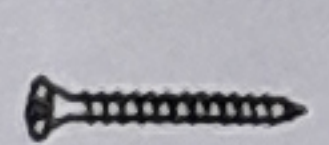

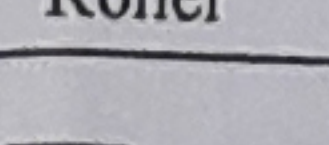


ATTENTION:
Please keep the adjuster around 5 to 8 mm distant away from the floor.

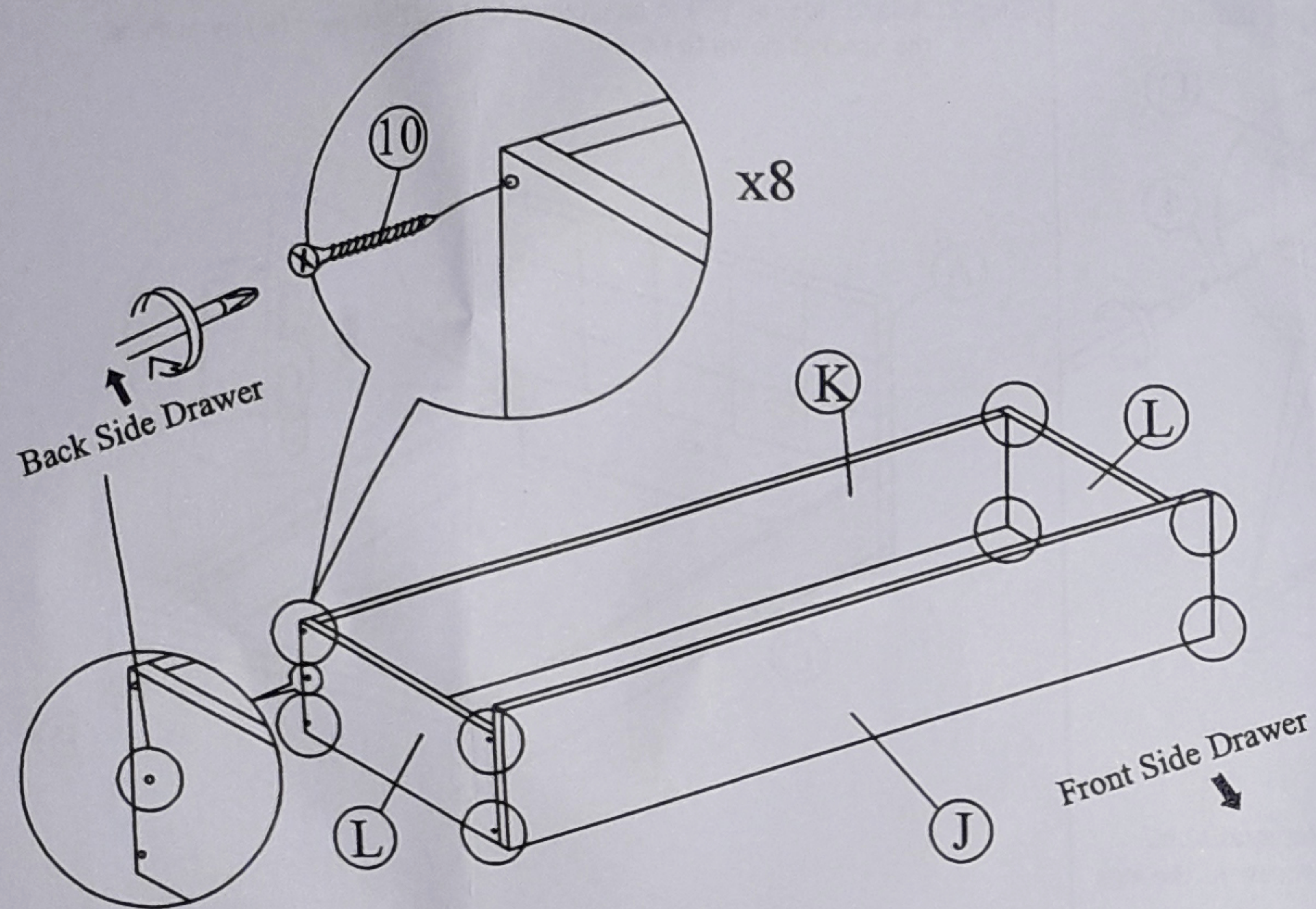
Step 4: Slide the center rail (E) to the headboard (A) and footboard (B).



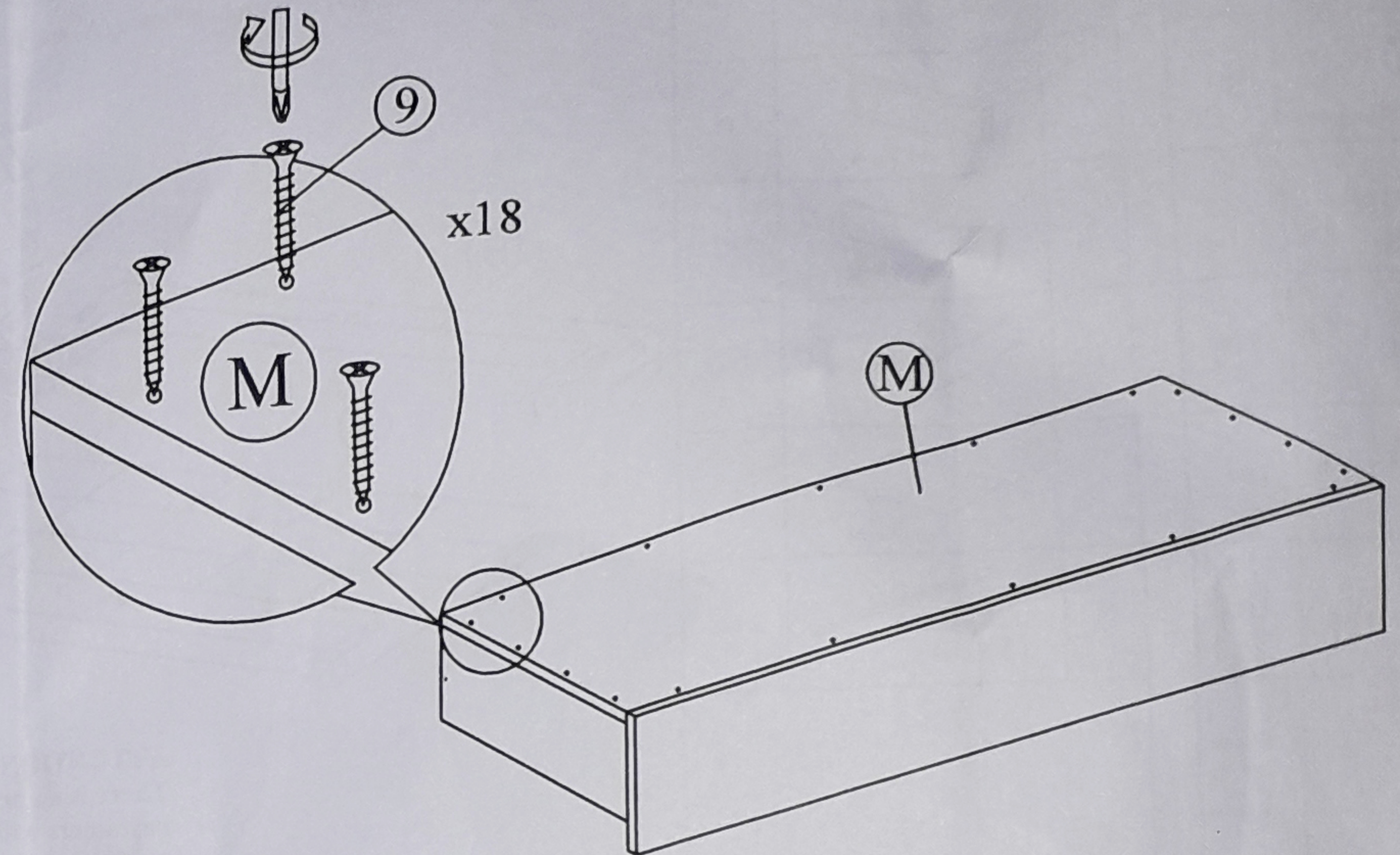
1		2 pcs
2		1 pc
3		1 pc
4		8 pcs
5		4 pcs
6		6 pcs
7		2 pcs

8		24 pcs
9		18 pcs
10		8 pcs
11		6 pcs
12		2 pcs

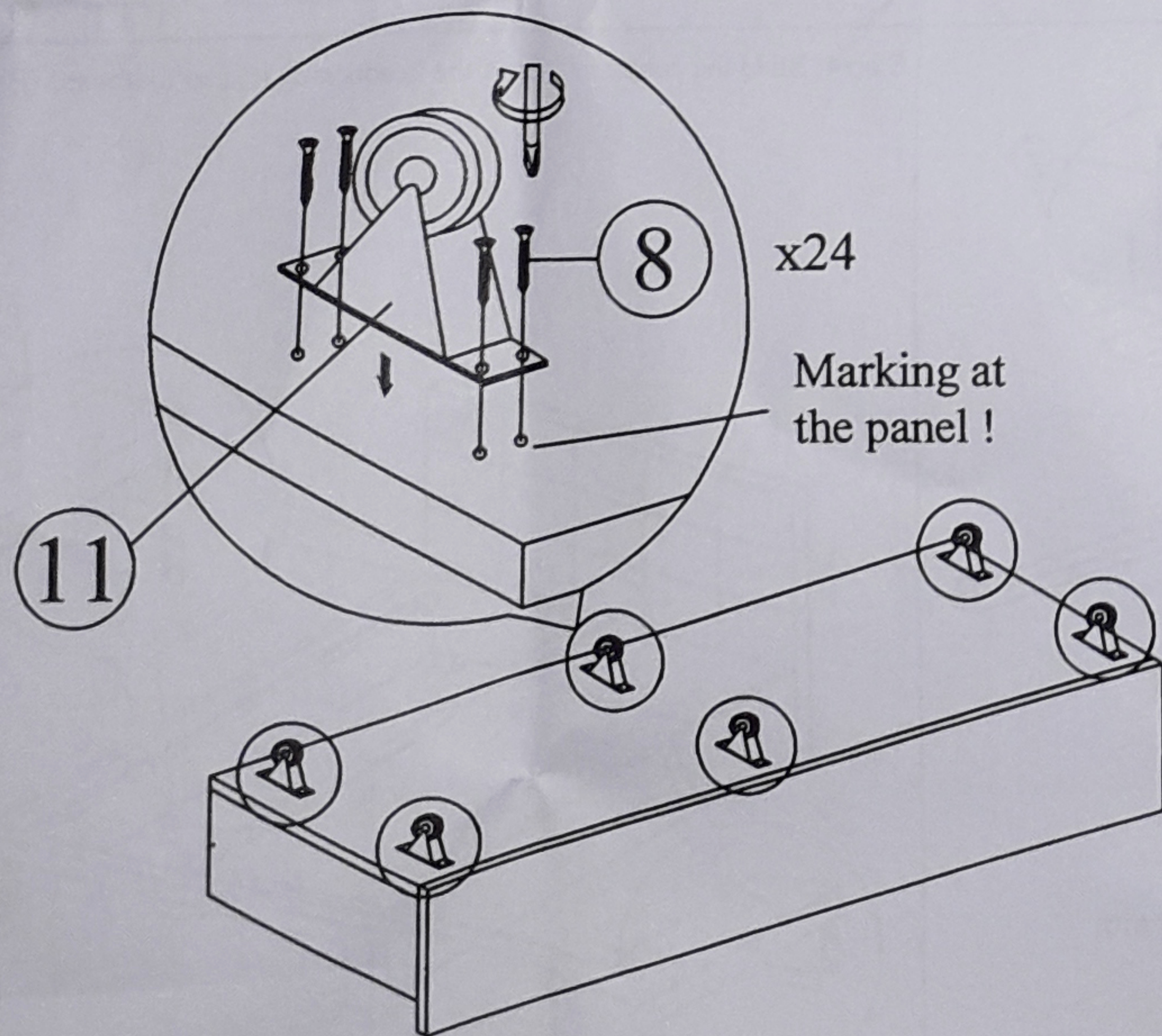
Step 5: Tighten the side panel (L) to the front panel (J) and back panel (K) with screws (10) using screw driver (not included).



Step 6: Tighten the back panel (M) with screws (9) using screw driver (not included).



Step 7: Tighten the roller (11) with screws (8) using screw driver (not included).



Step 8: Affix the Stiffener Slat (N) to the side rail support wood and the center rail (E). Tighten all the 4 corner, follow by assembly of the slat holders with LVL slats as shown.

