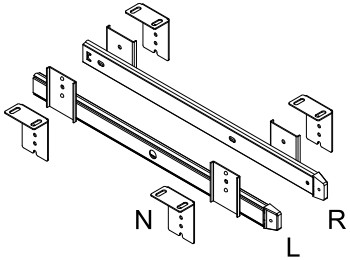



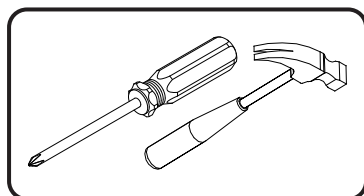
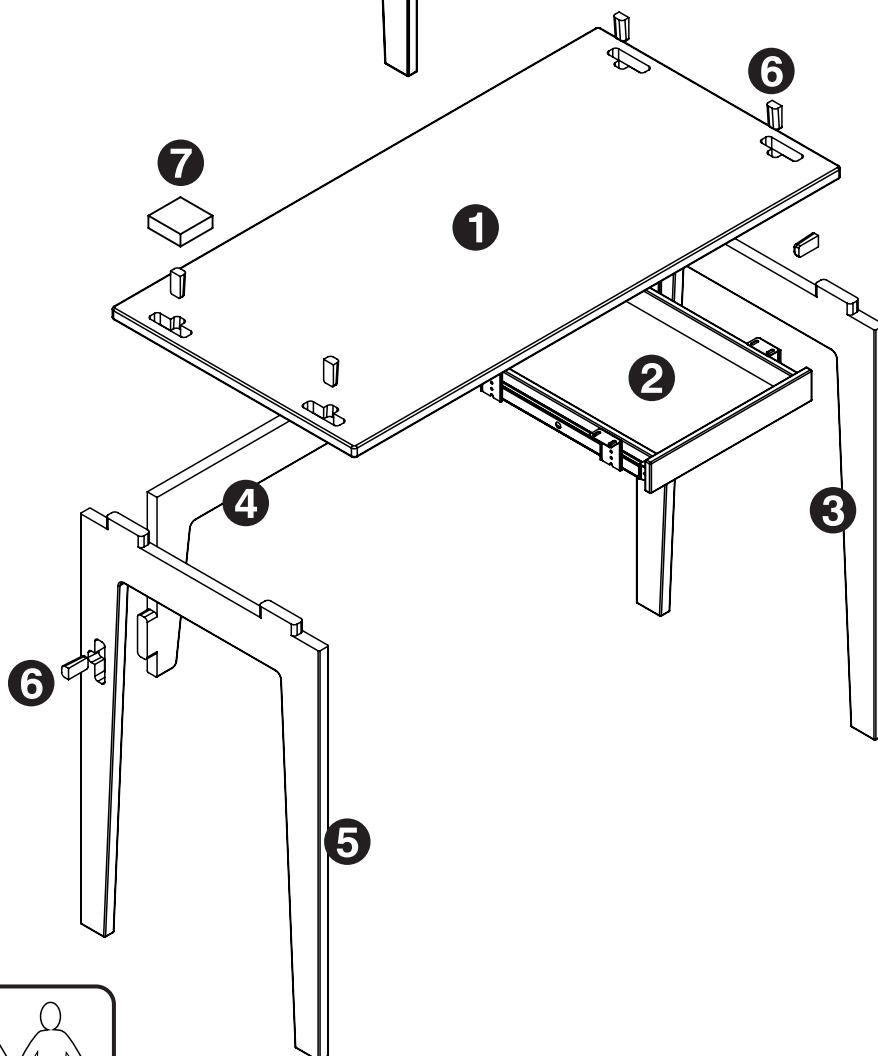
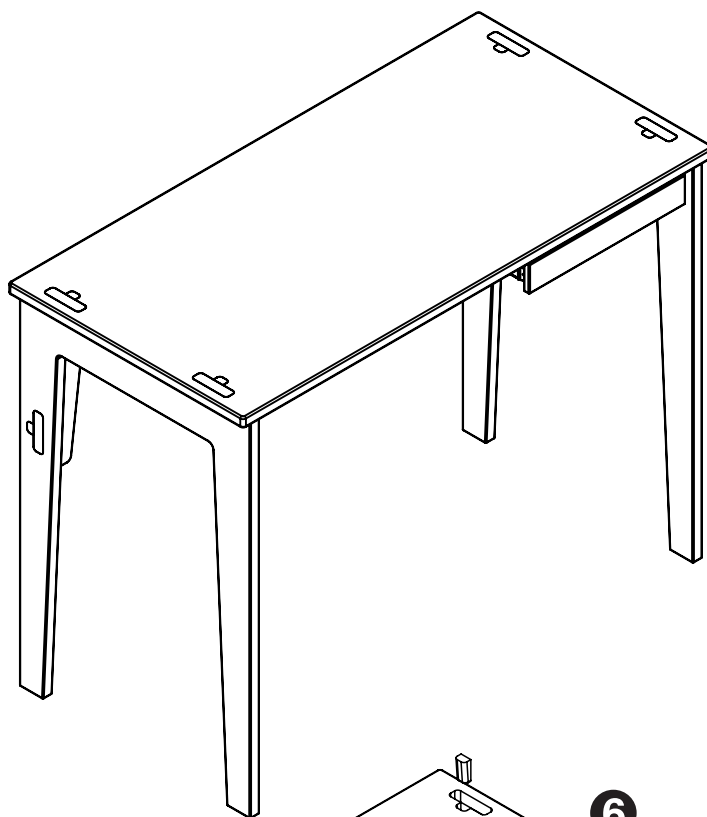
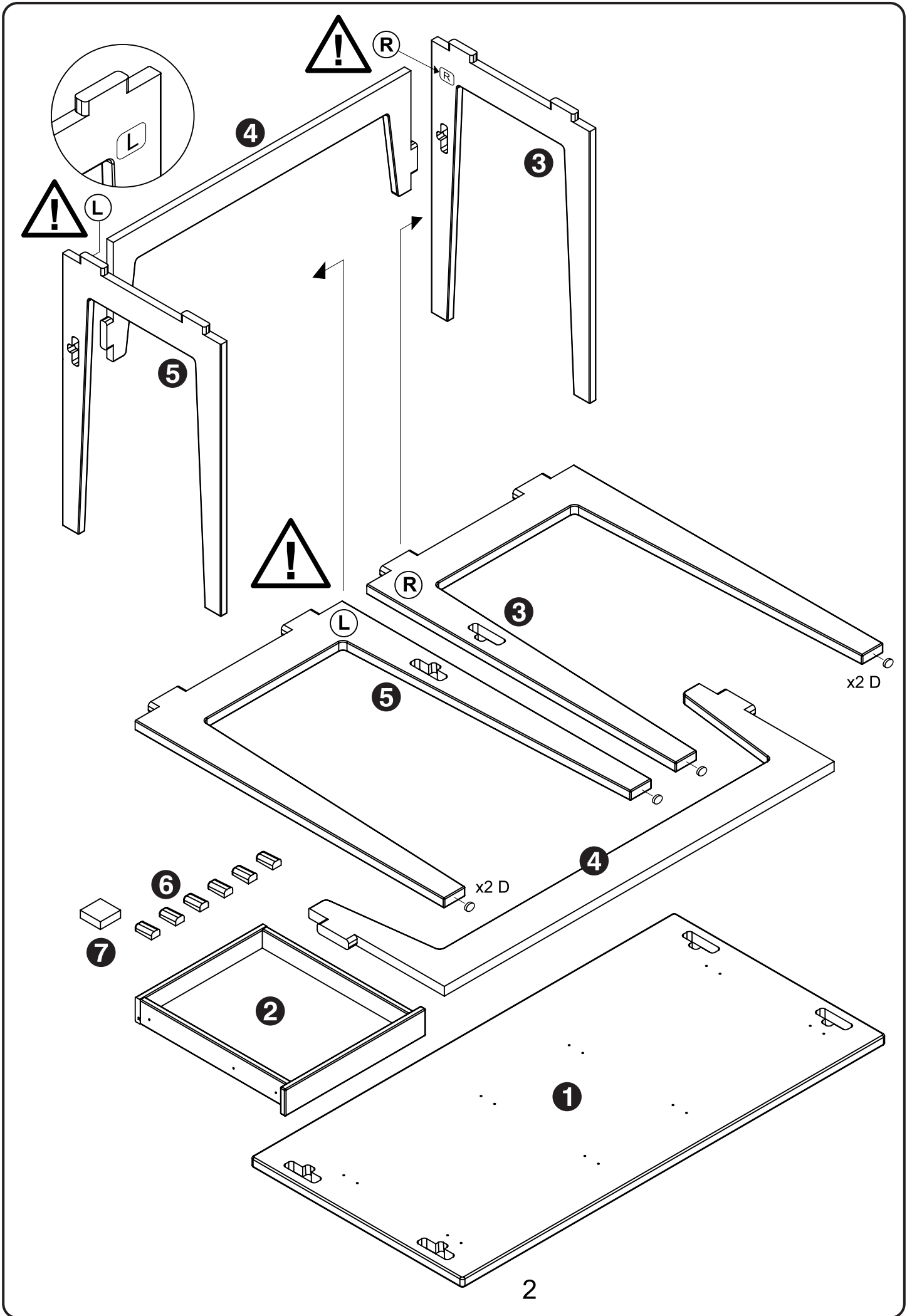


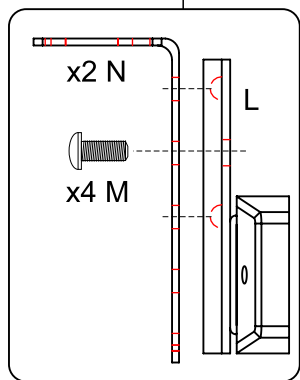
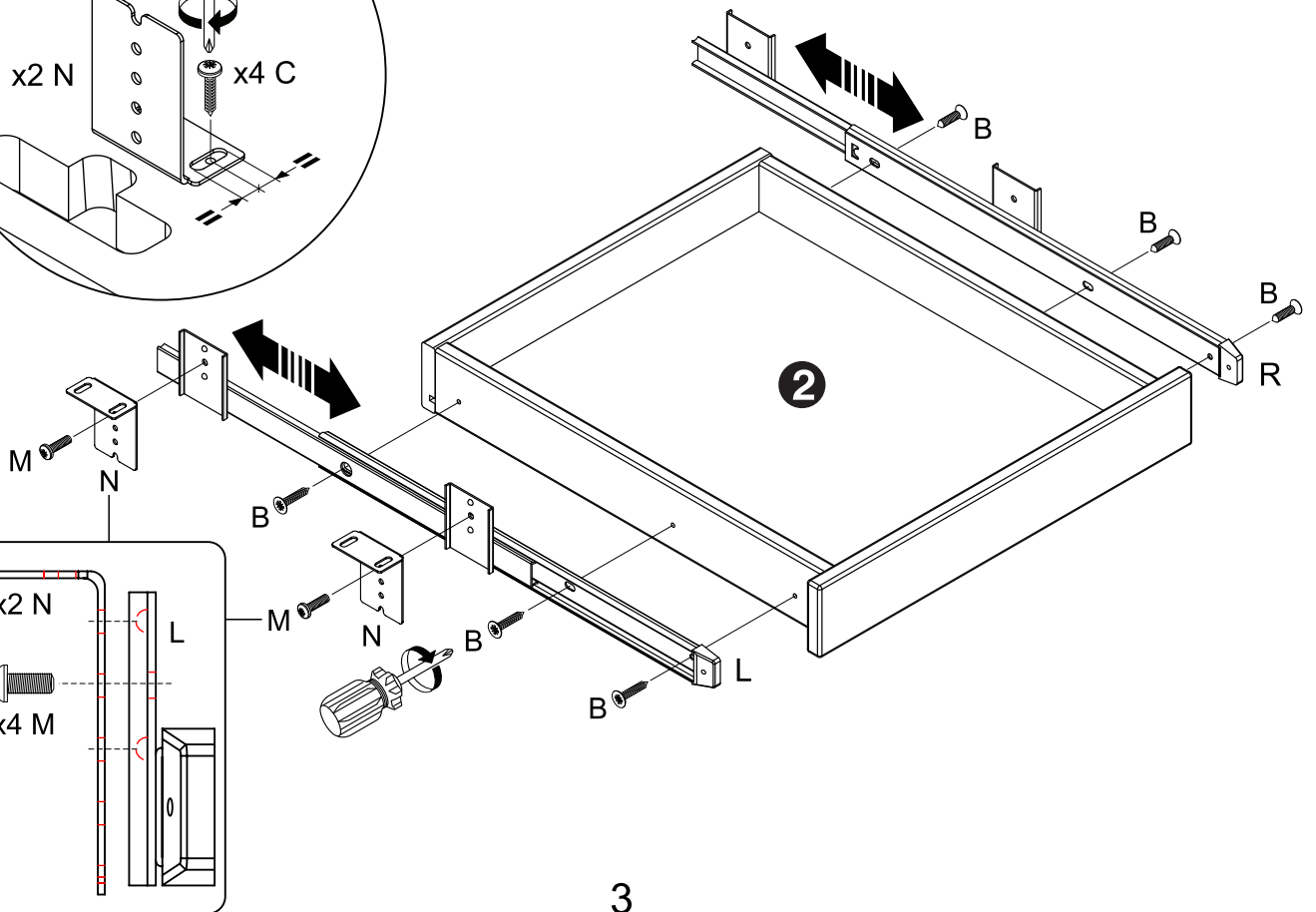
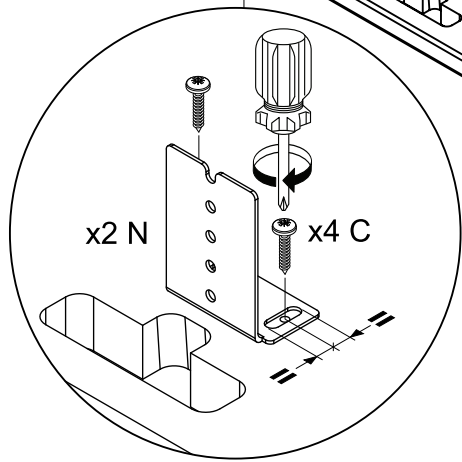
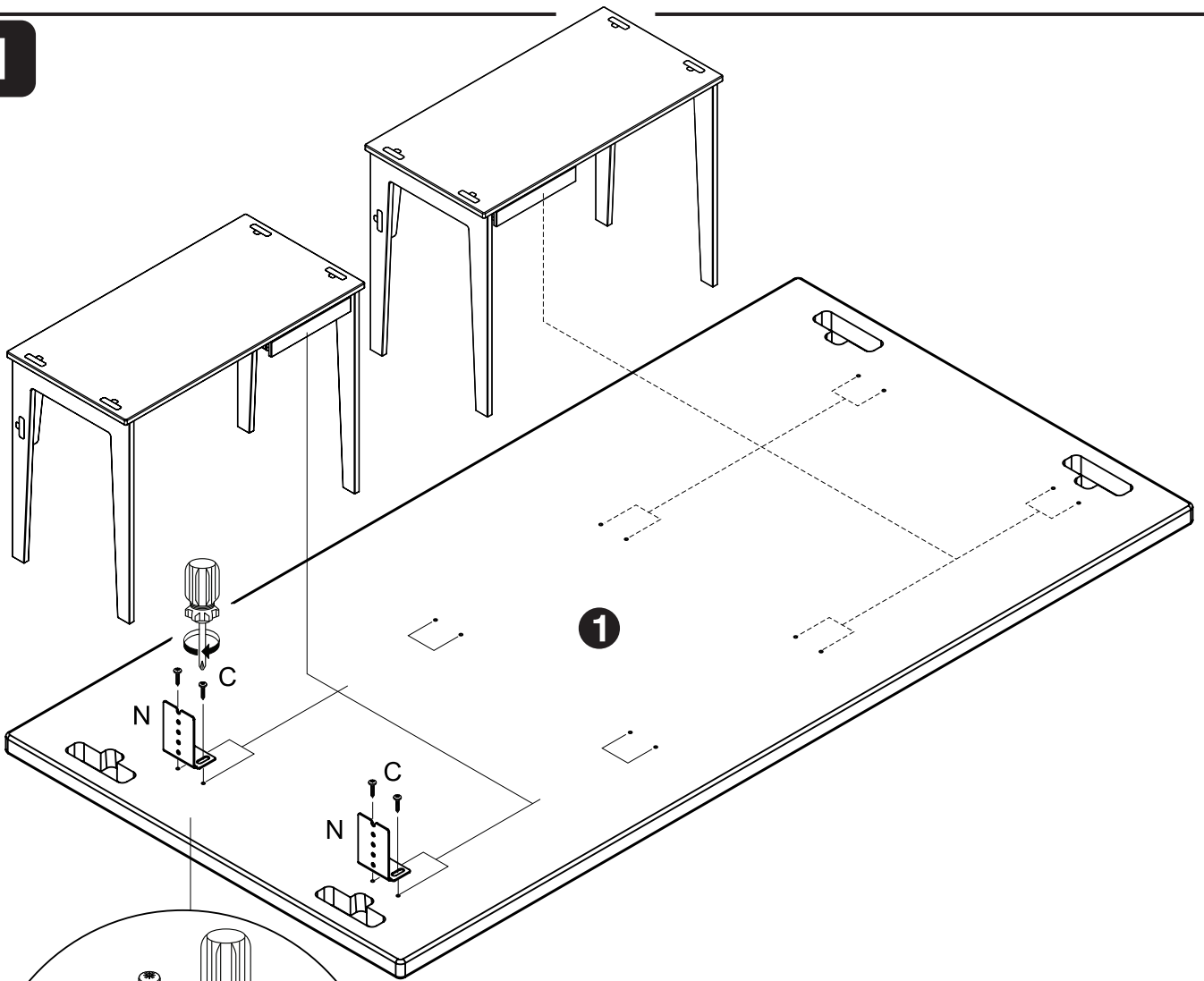
# SANDRA

A	 <p>x4 M</p>	<p>x1R x1L x4M x4N</p>
B	 <p>Ø3x13</p>	<p>x6</p>
C	 <p>Ø3,5x15</p>	<p>x8</p>
D		<p>x4</p>



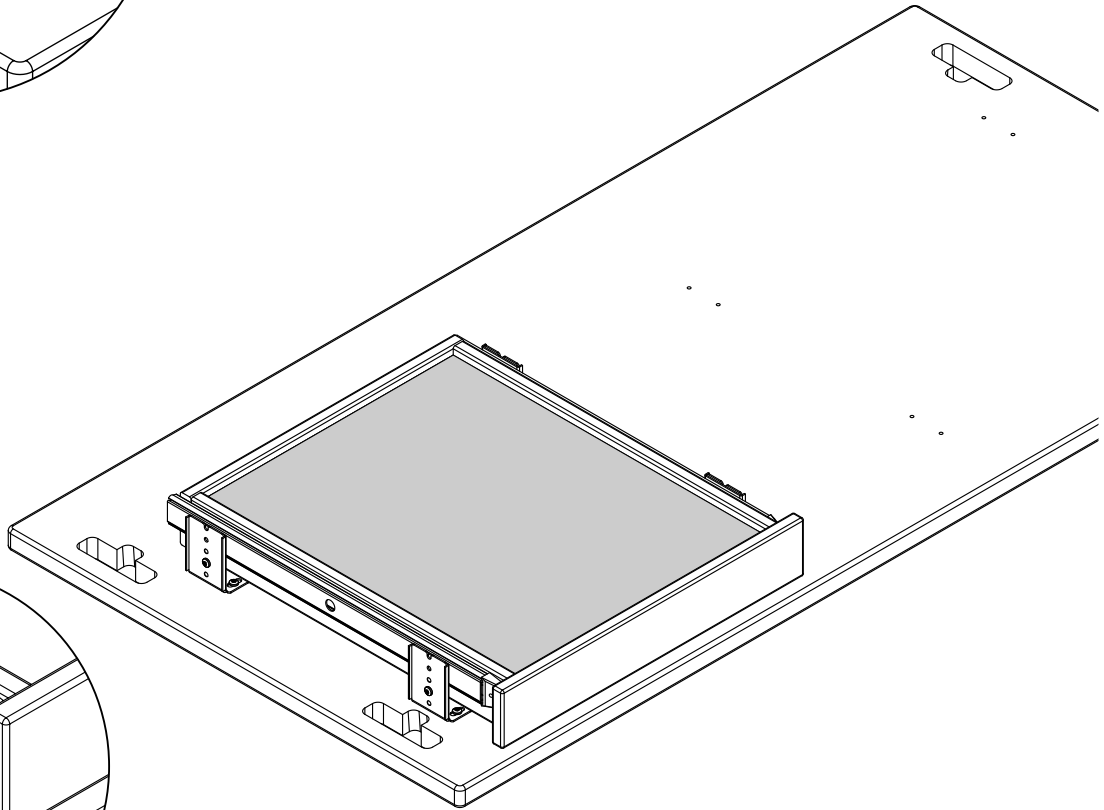
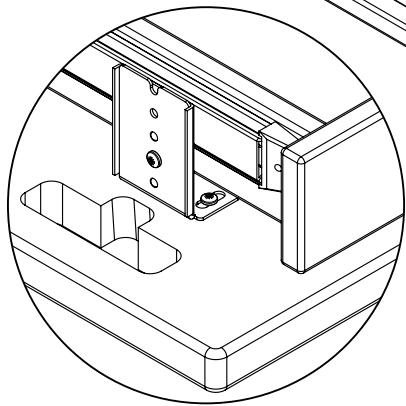
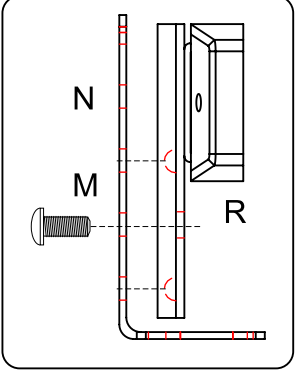
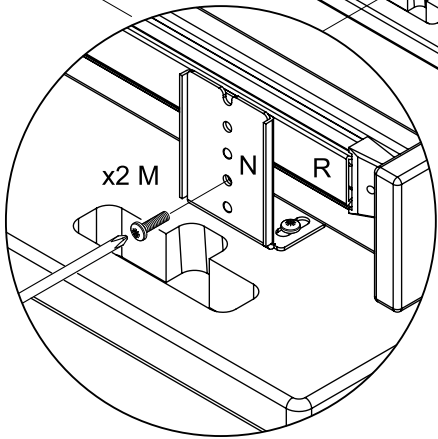
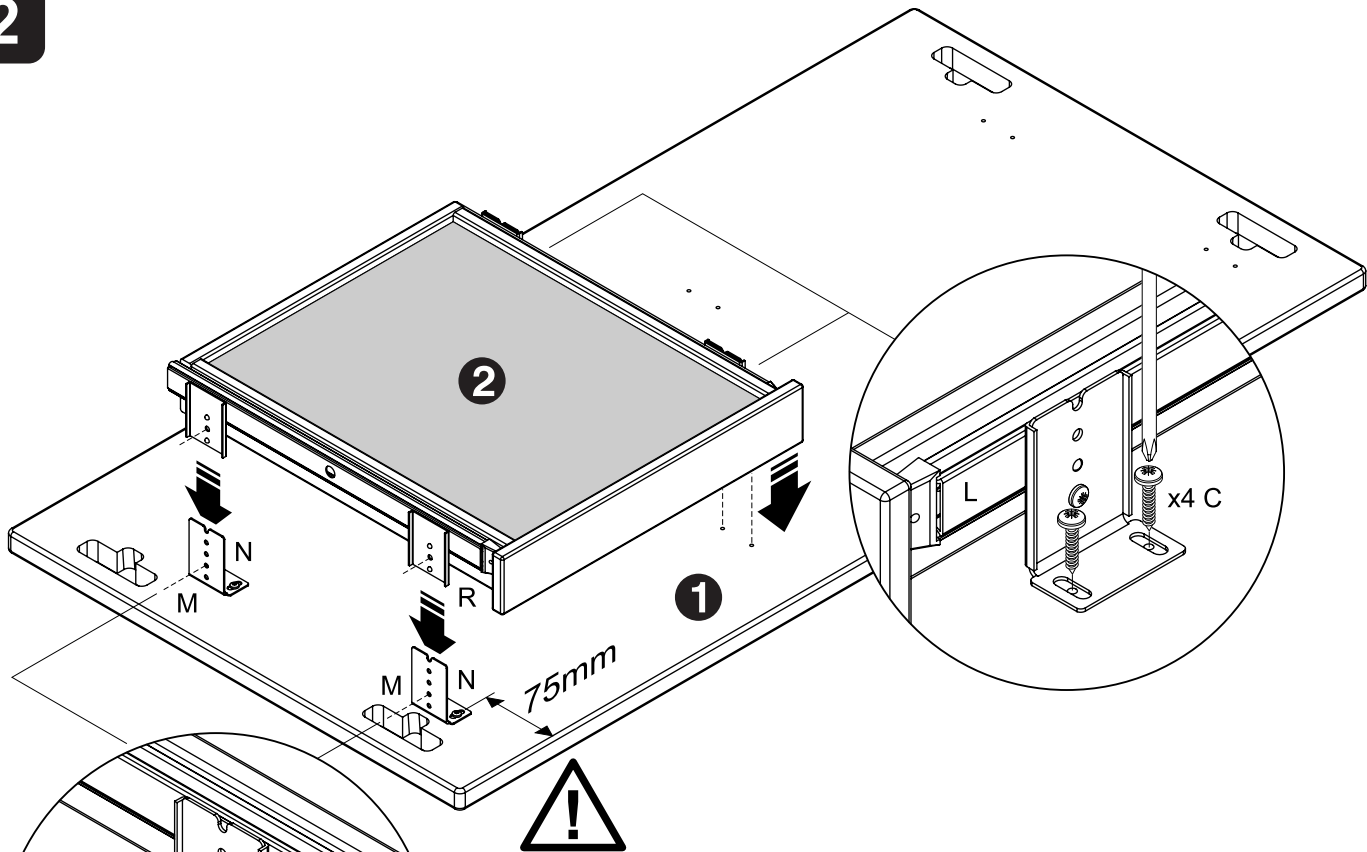


1

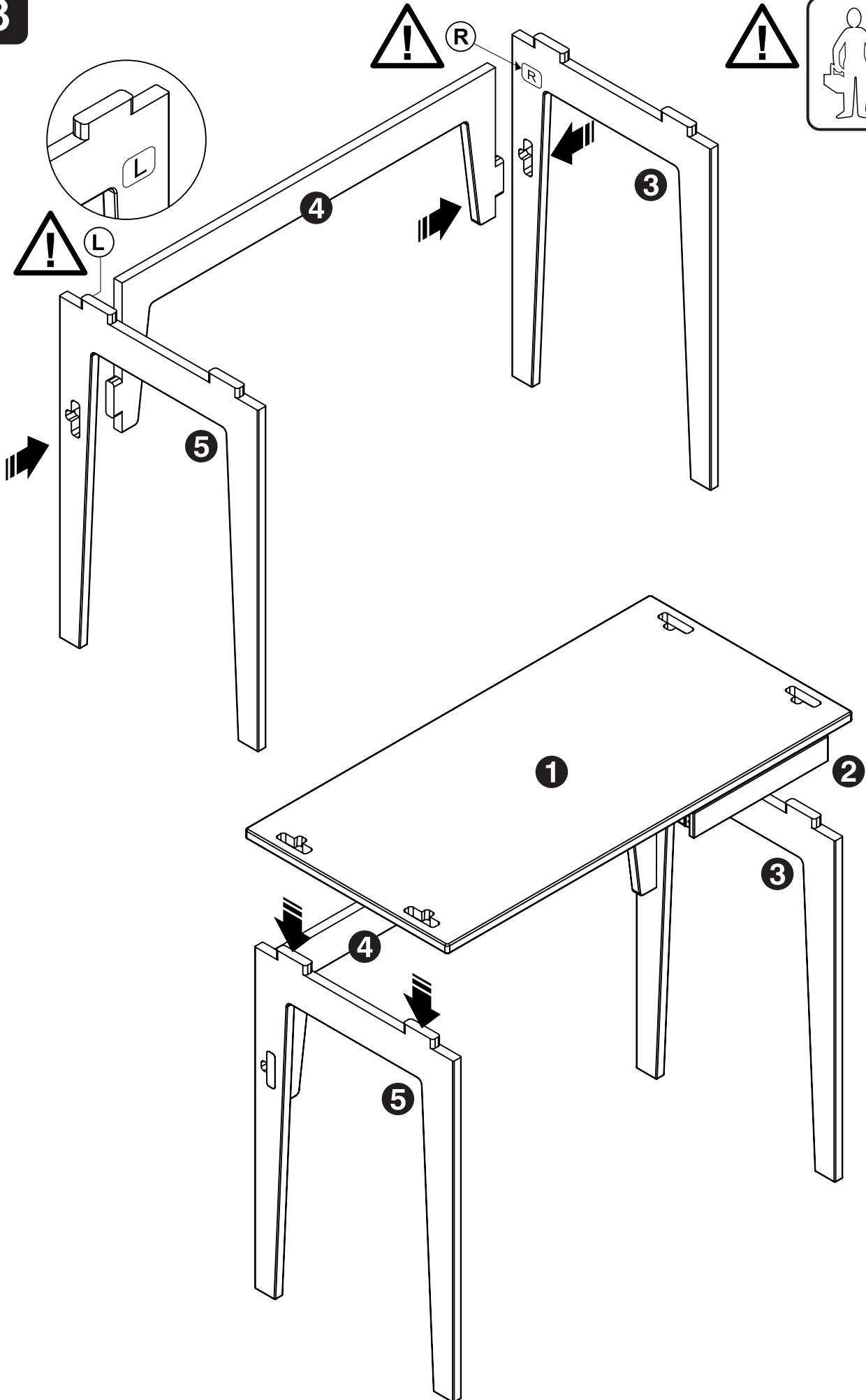


3

2



3



4

