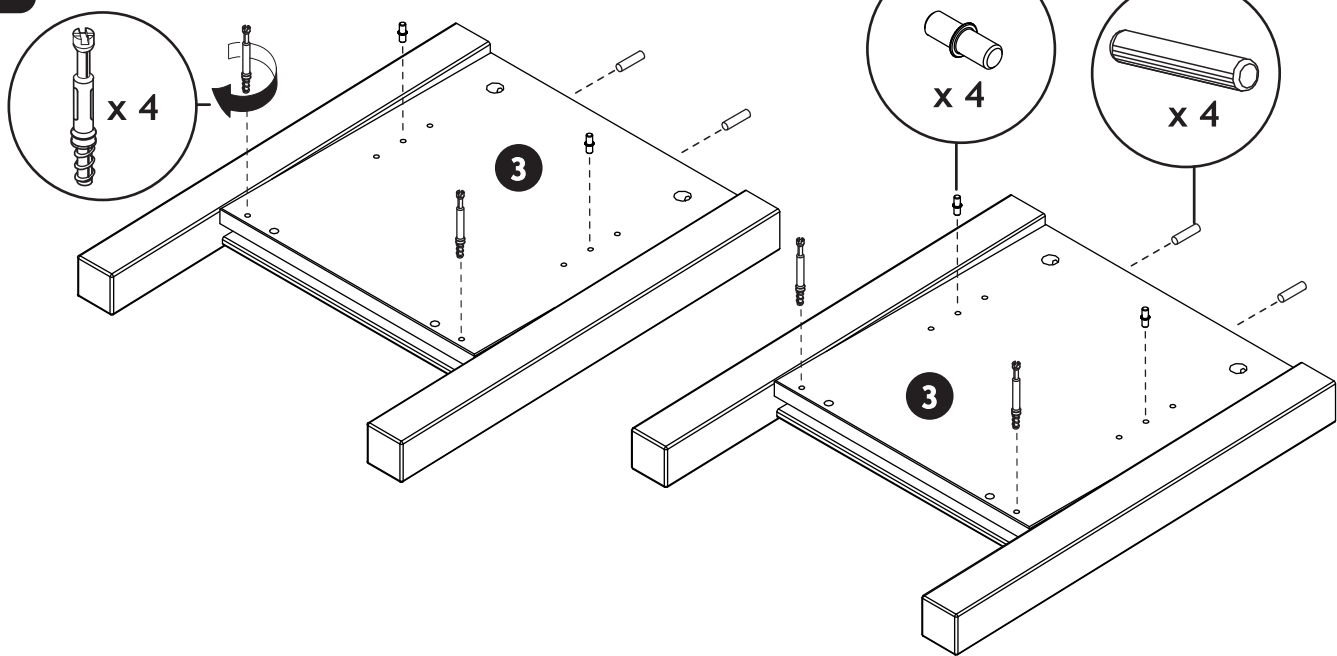
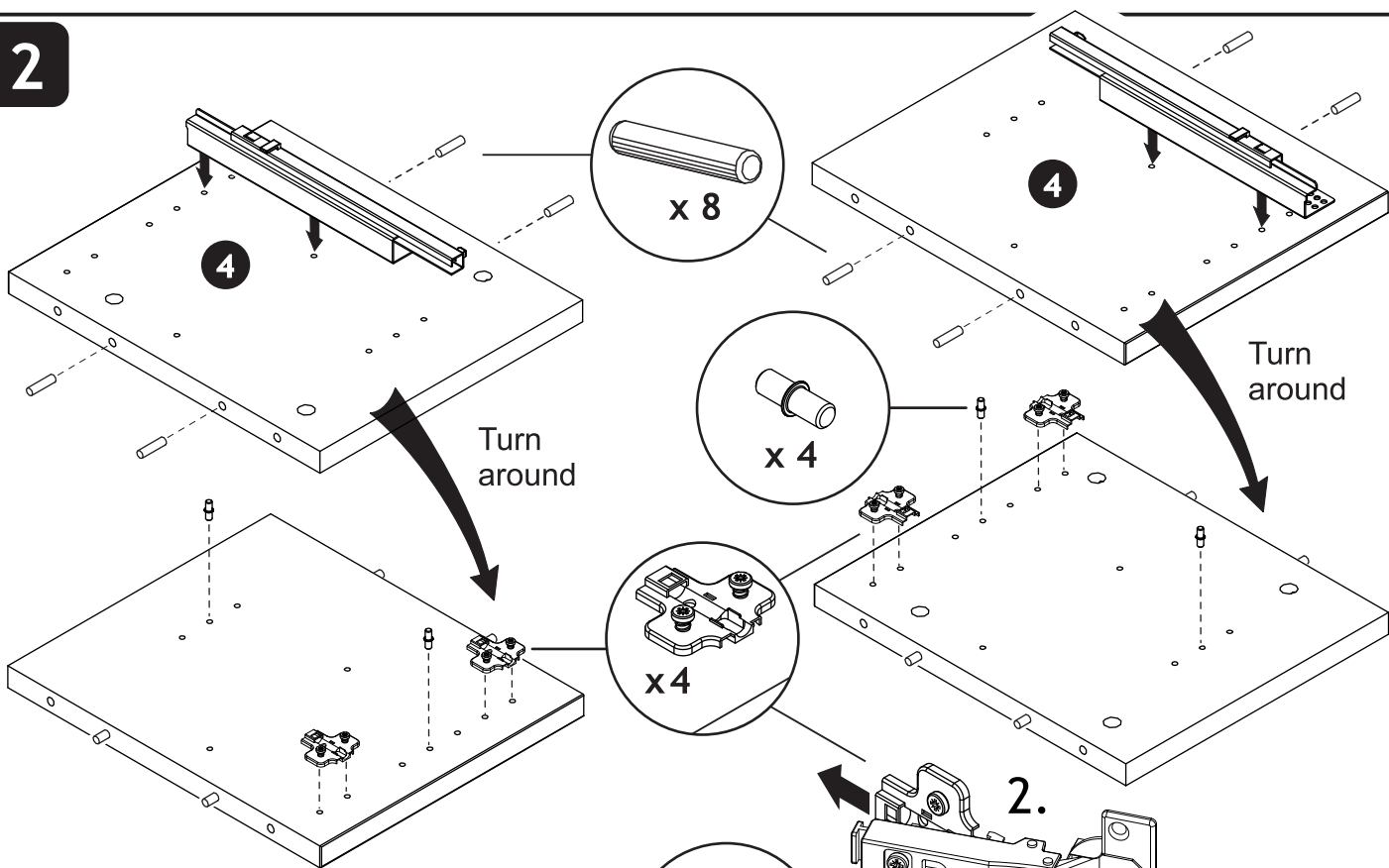


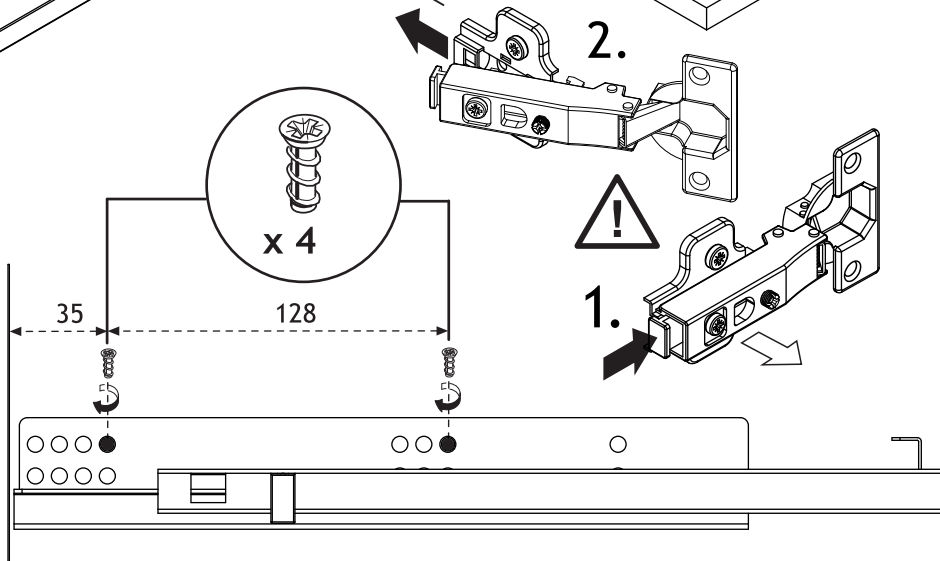
1



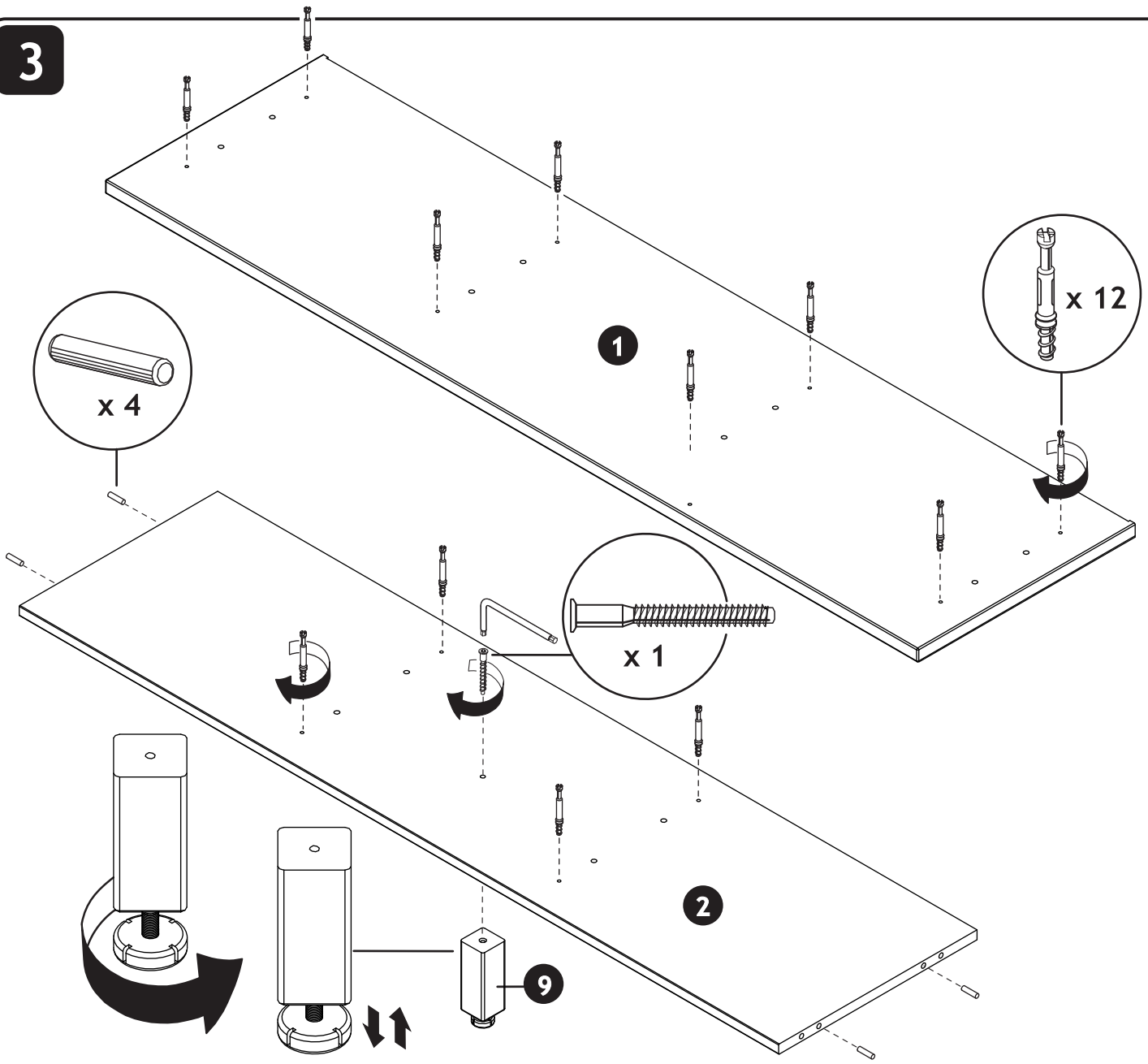
2



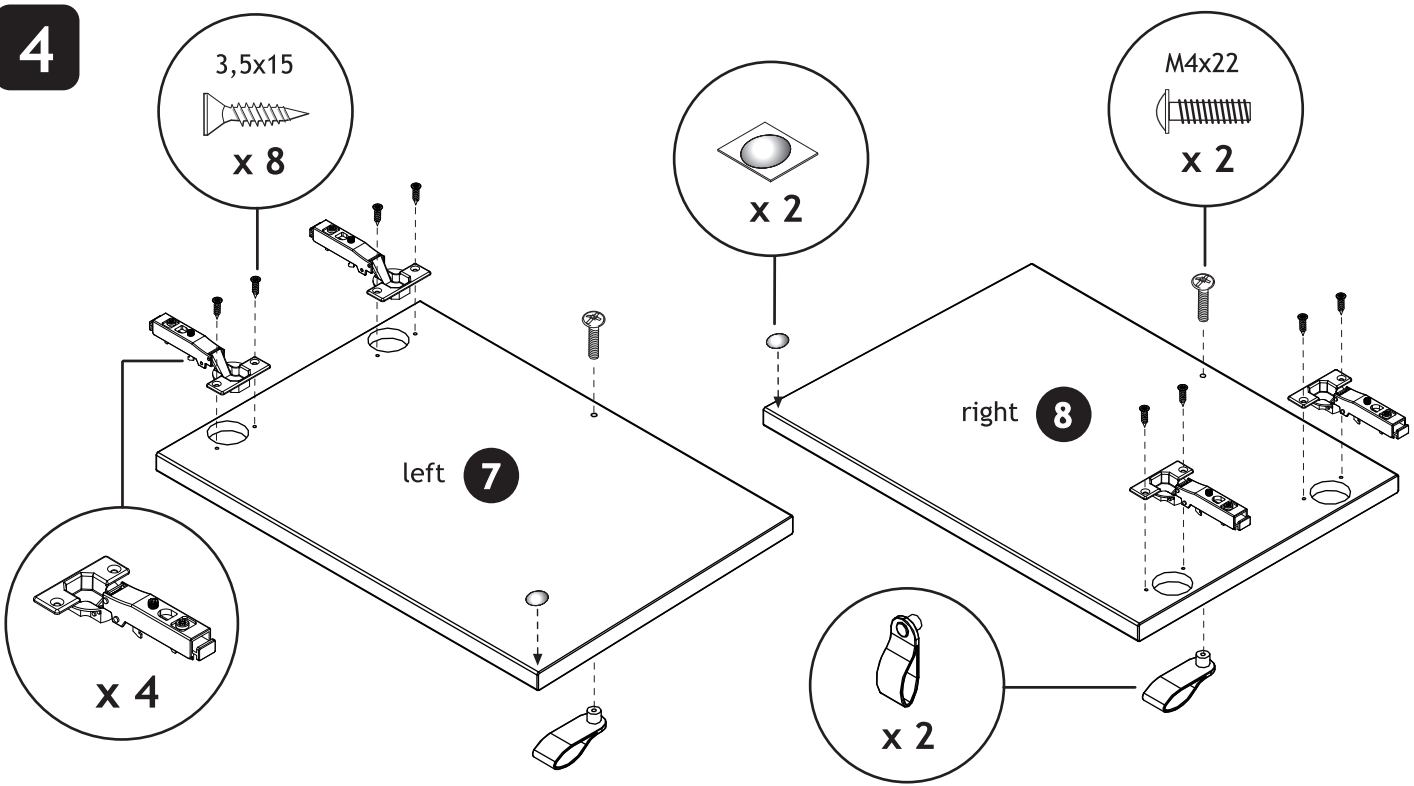
Attach the bottom slide pair to the lowest holes in the partition walls later (see section 8)



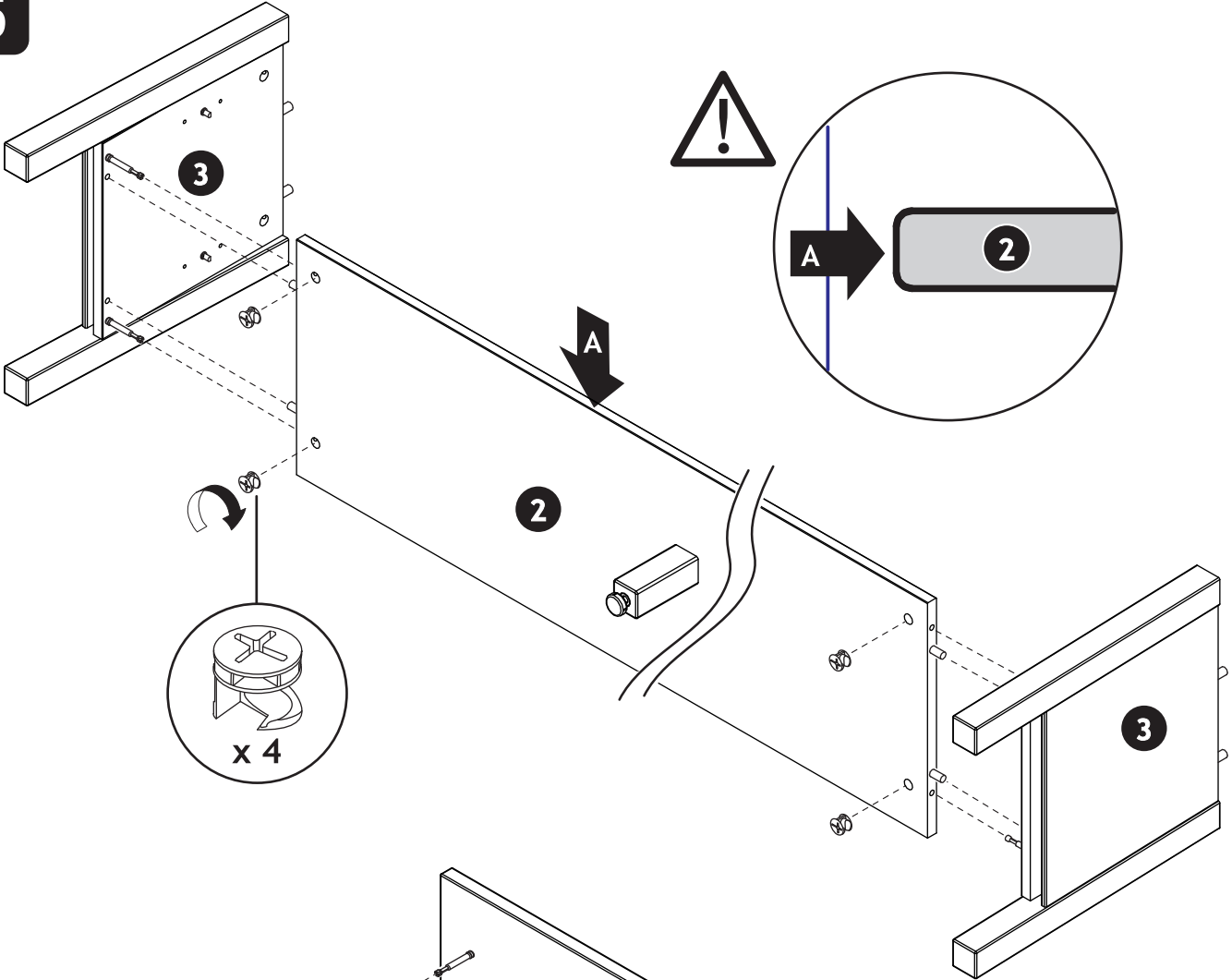
3



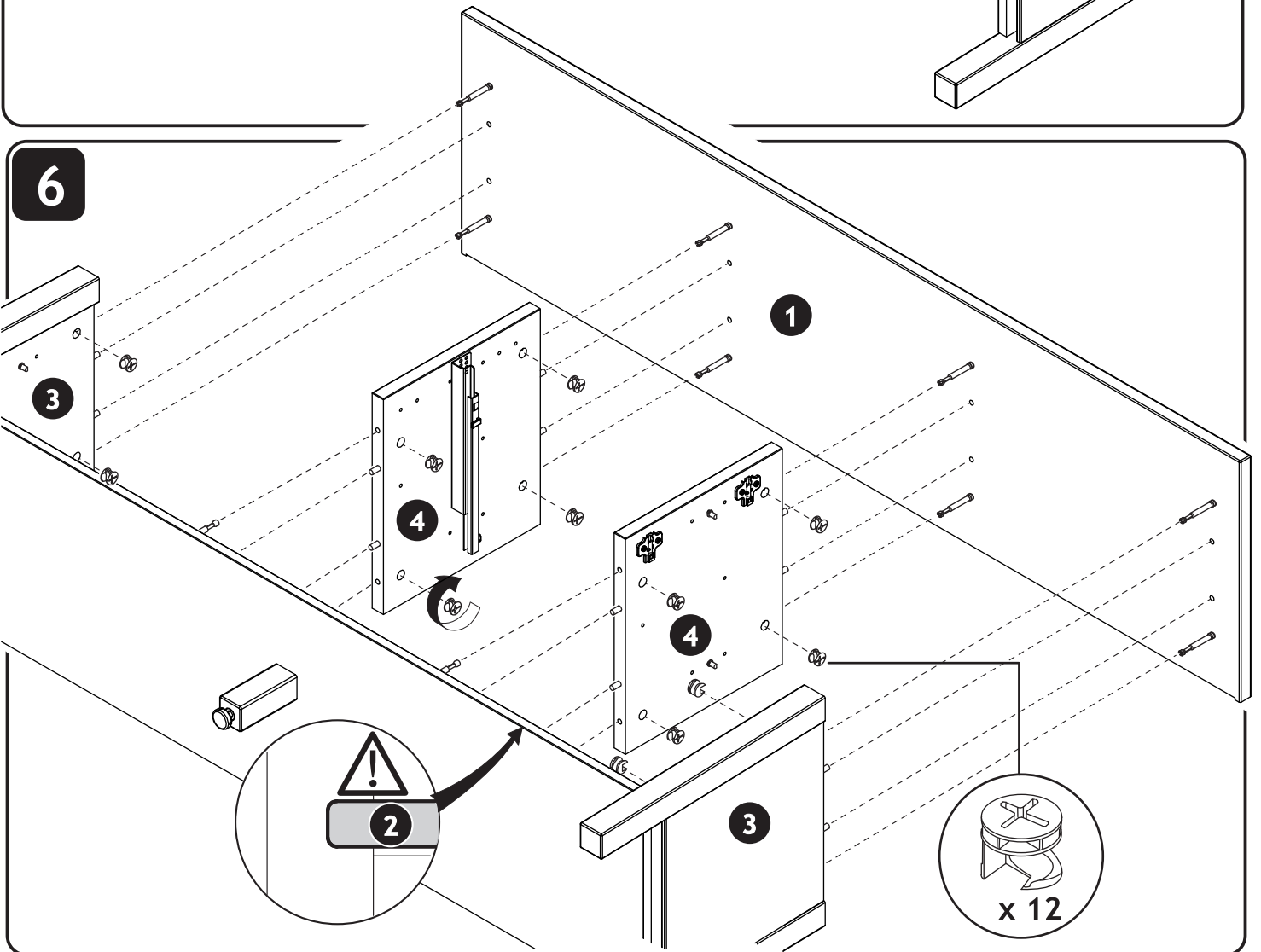
4



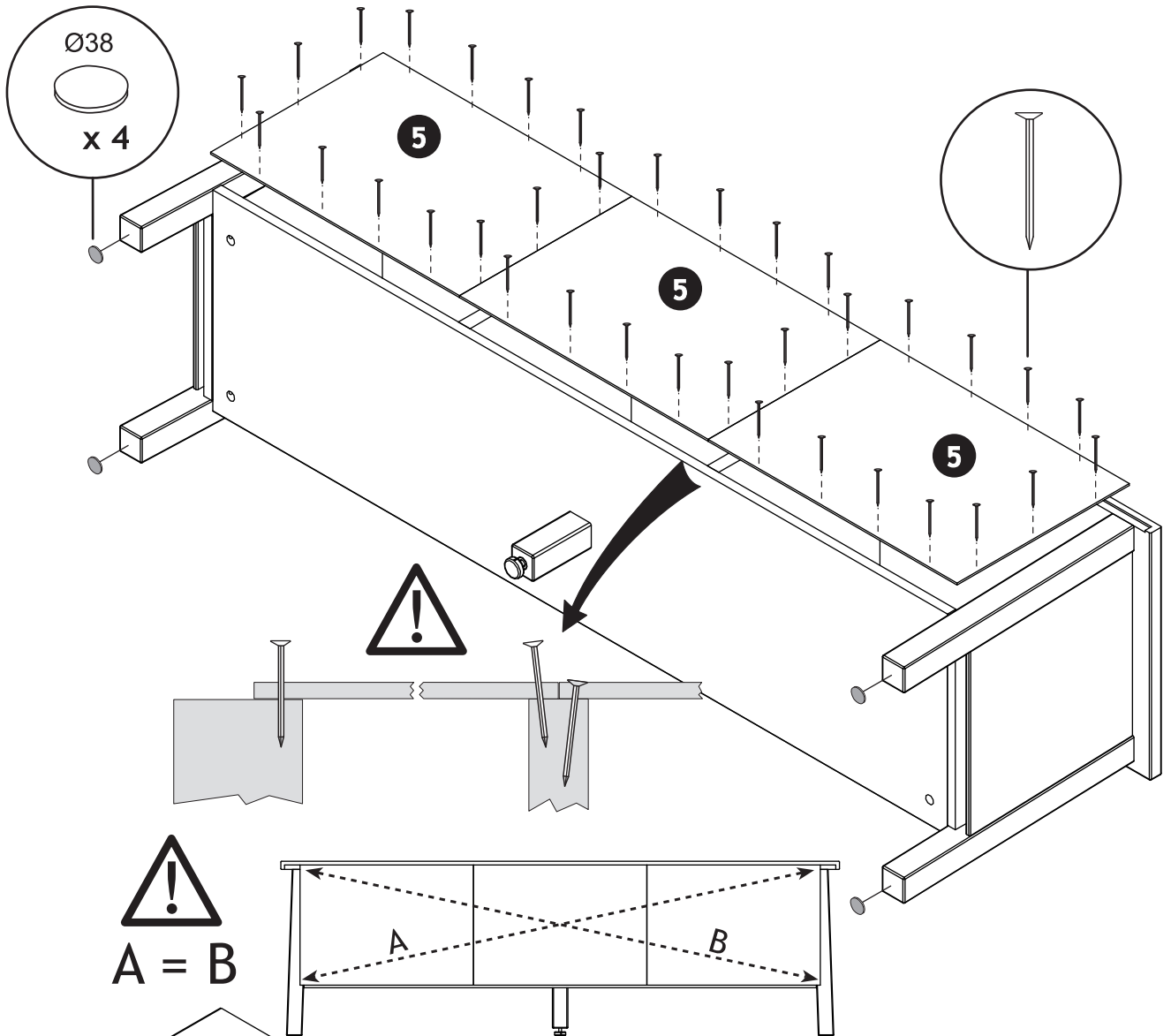
5



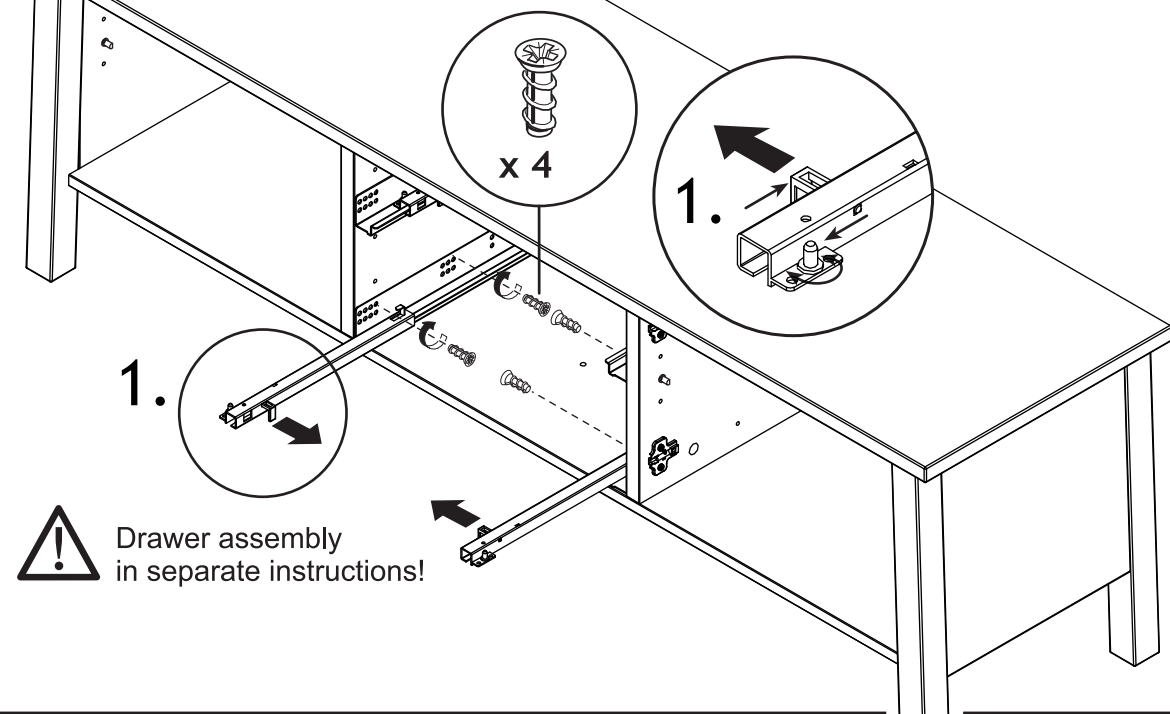
6

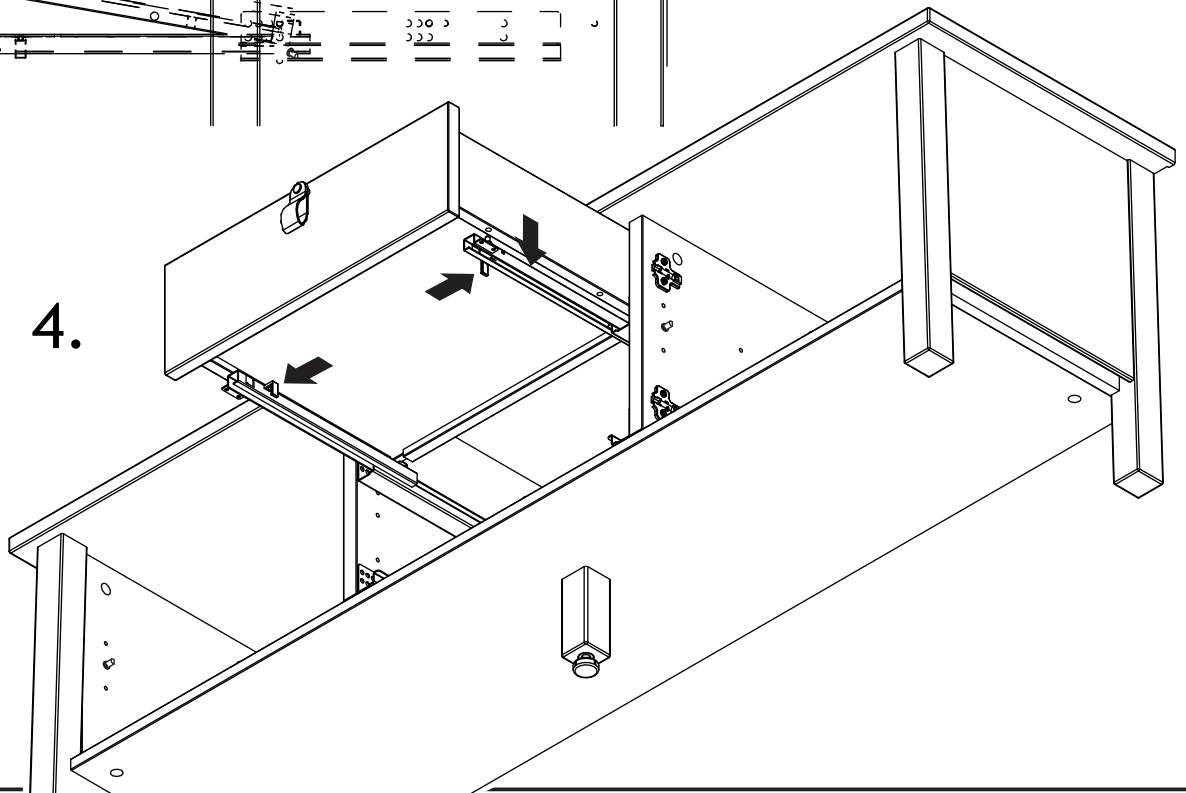
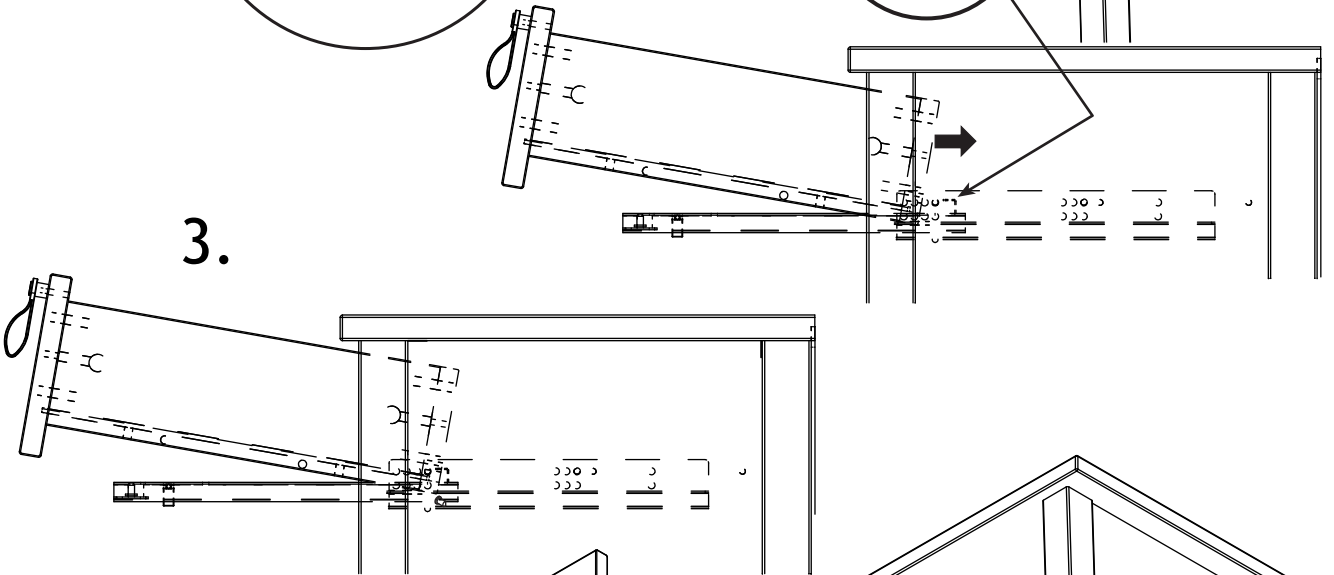
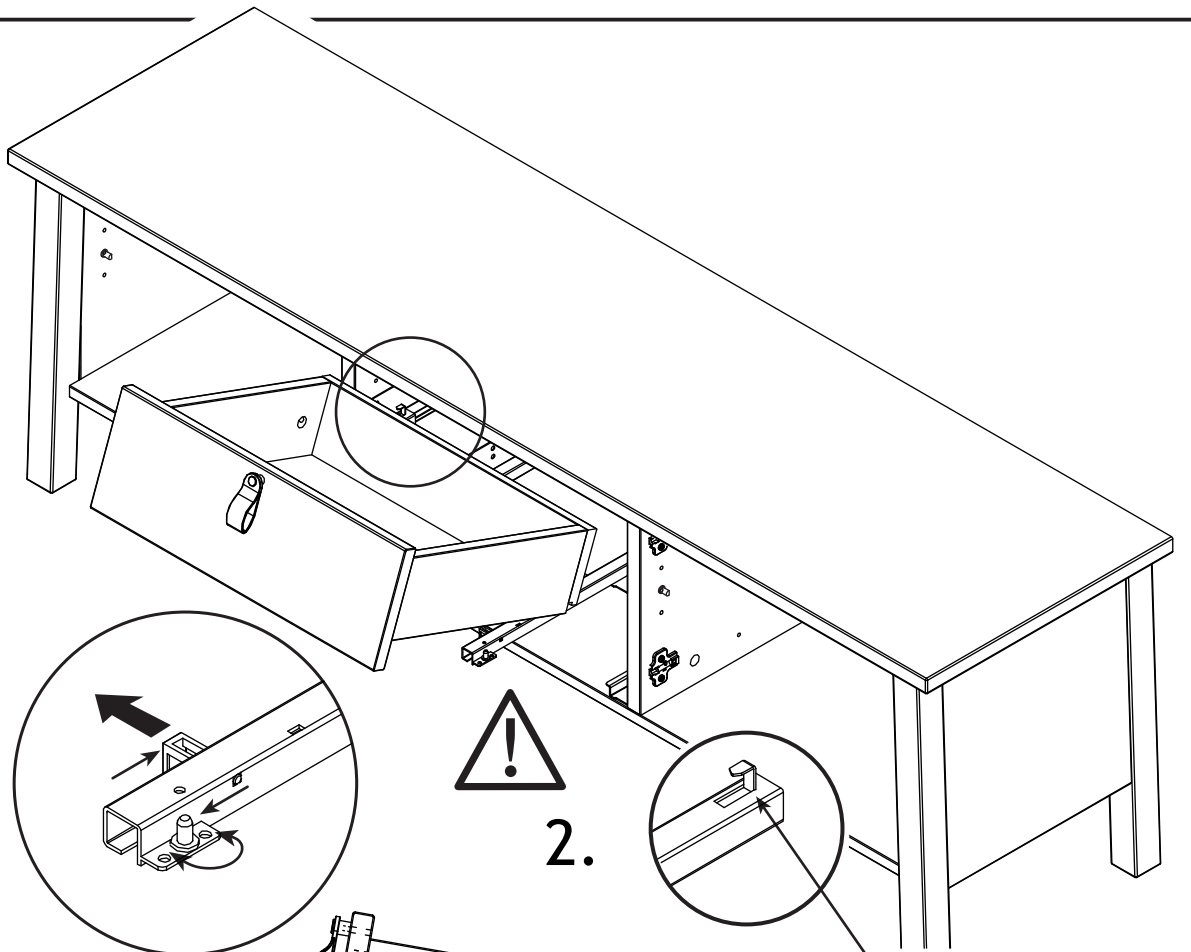


7



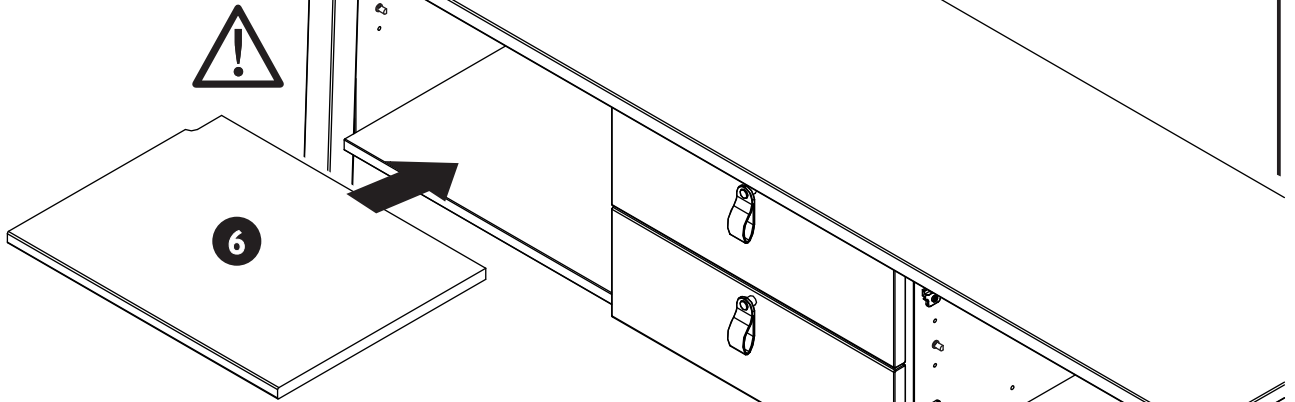
8



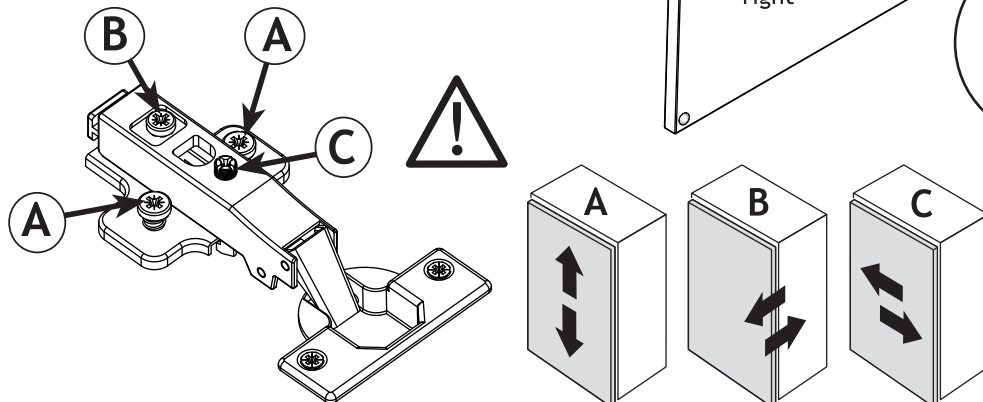
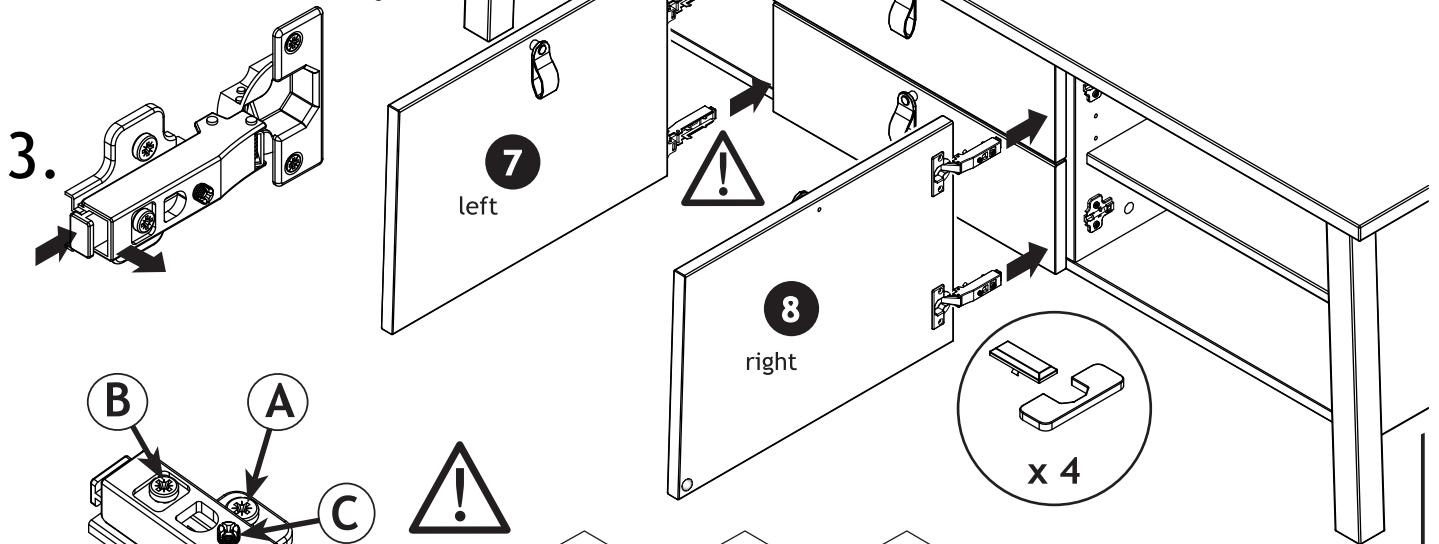
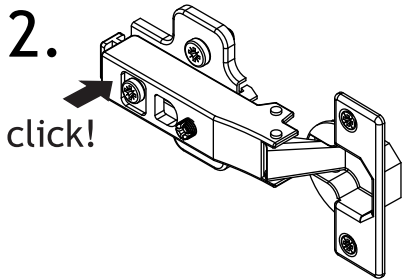
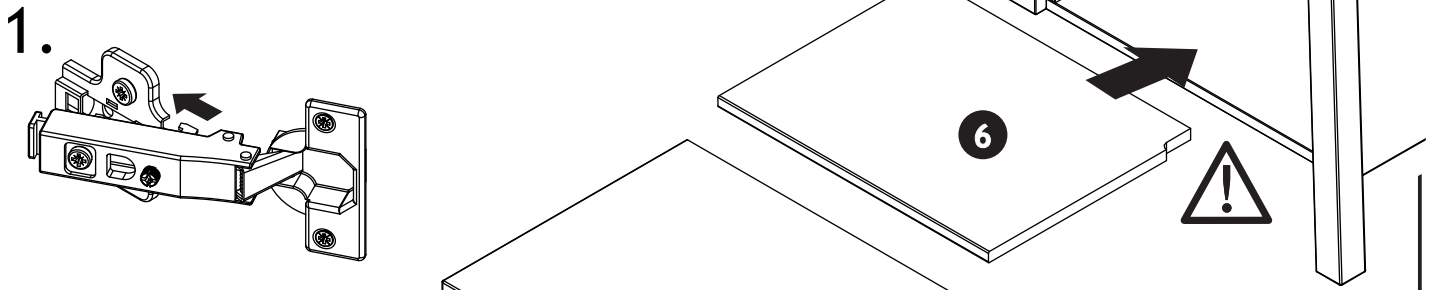


10

A



B



SAiMA

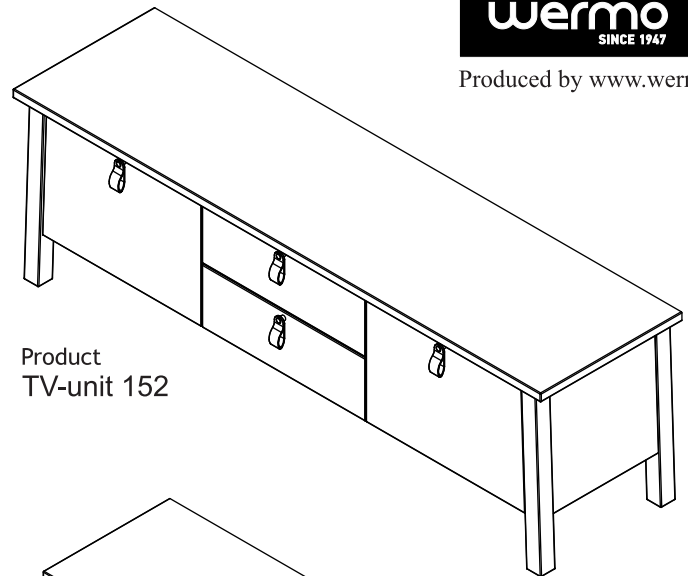
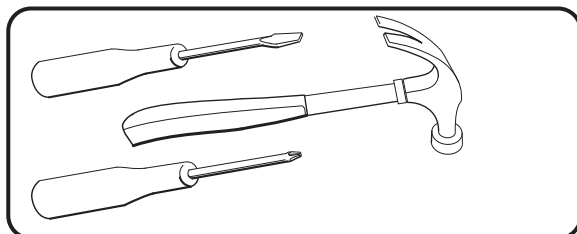
21122017

© LAULUMAA HUONEKALUT OY



Produced by www.werno.ee

	x 32
	x 24
	x 24
	x 1
	x 2 pairs
	x 8
3,5x15	x 8
	x 4 pairs
	x 8
	x 2
M4x22	x 4
	x 4
∅ 38	x 4
	x 40
	x 1



Product
TV-unit 152

