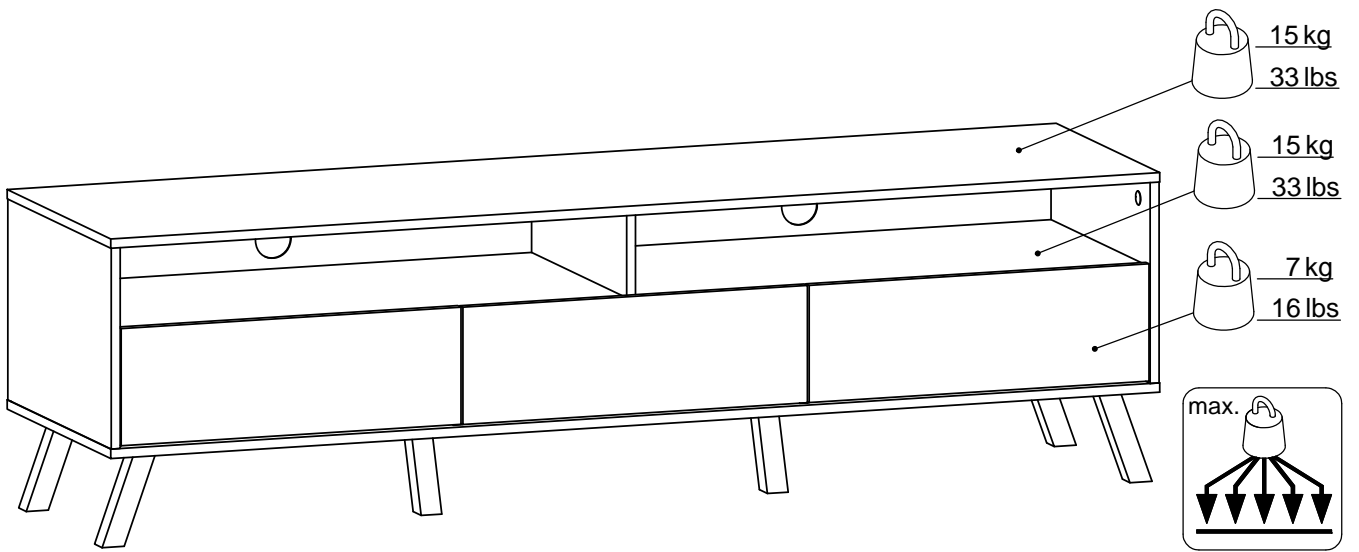


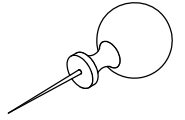
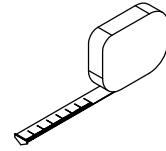
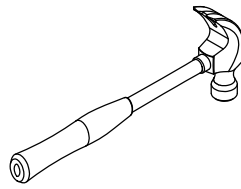
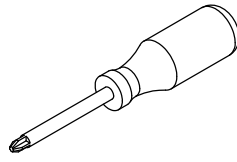
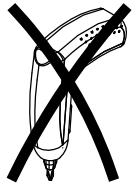
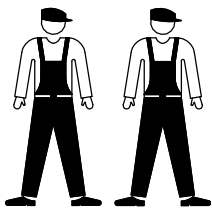
# tvilum



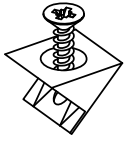
**78710** C

[www.tvilum.com](http://www.tvilum.com)

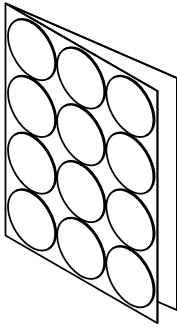




10401  
x8



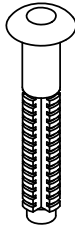
10901  
x1



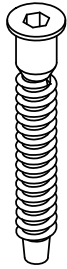
20203  
x22



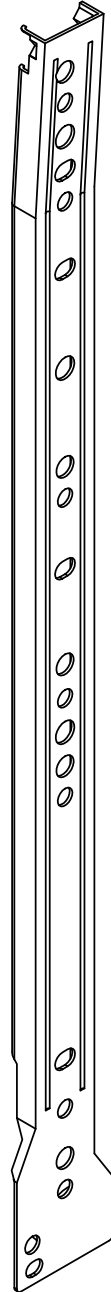
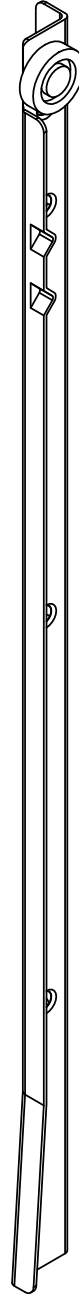
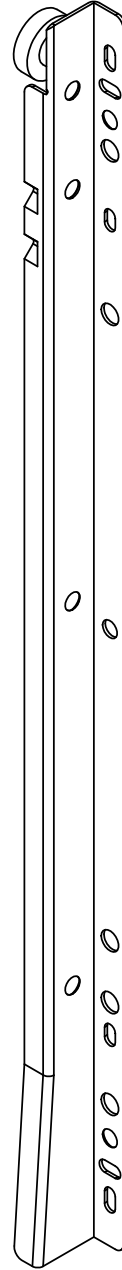
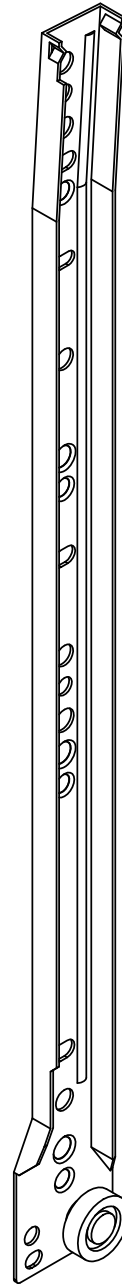
20228  
x12



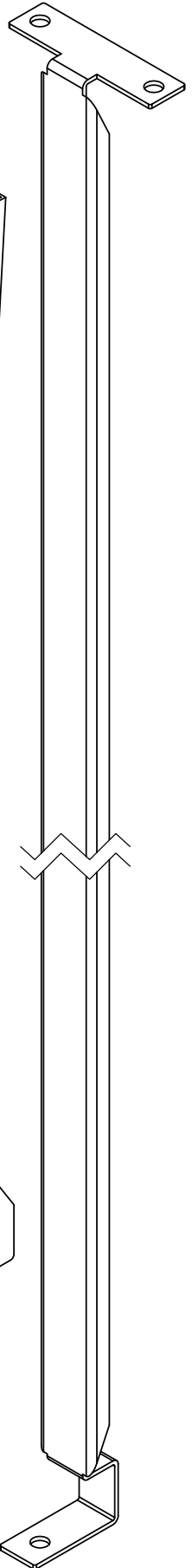
25610  
x10



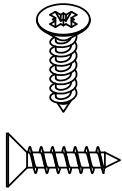
41641  
x3



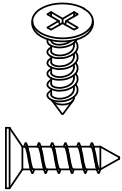
10511  
x3



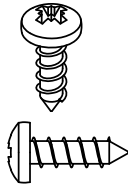
25233  
x6



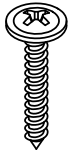
25250  
x24



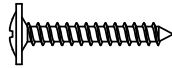
25440  
x9



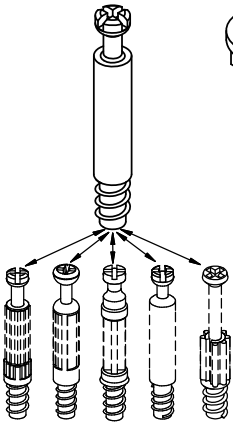
25502  
x12



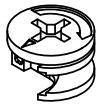
26034  
x12



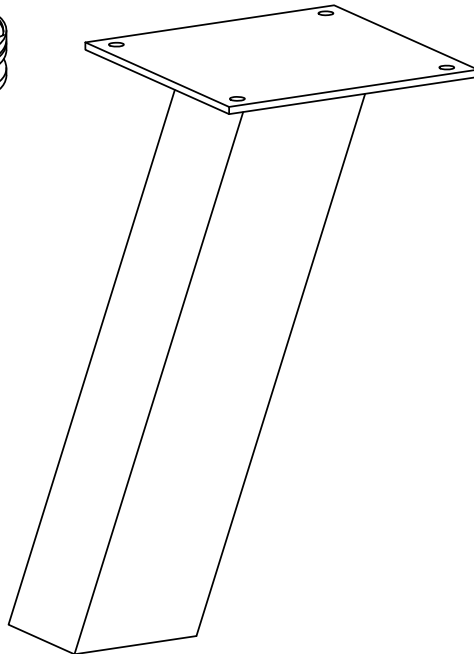
31513  
x18



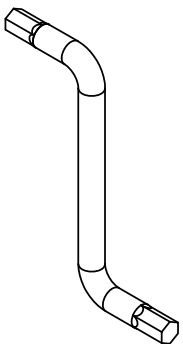
31687  
x18

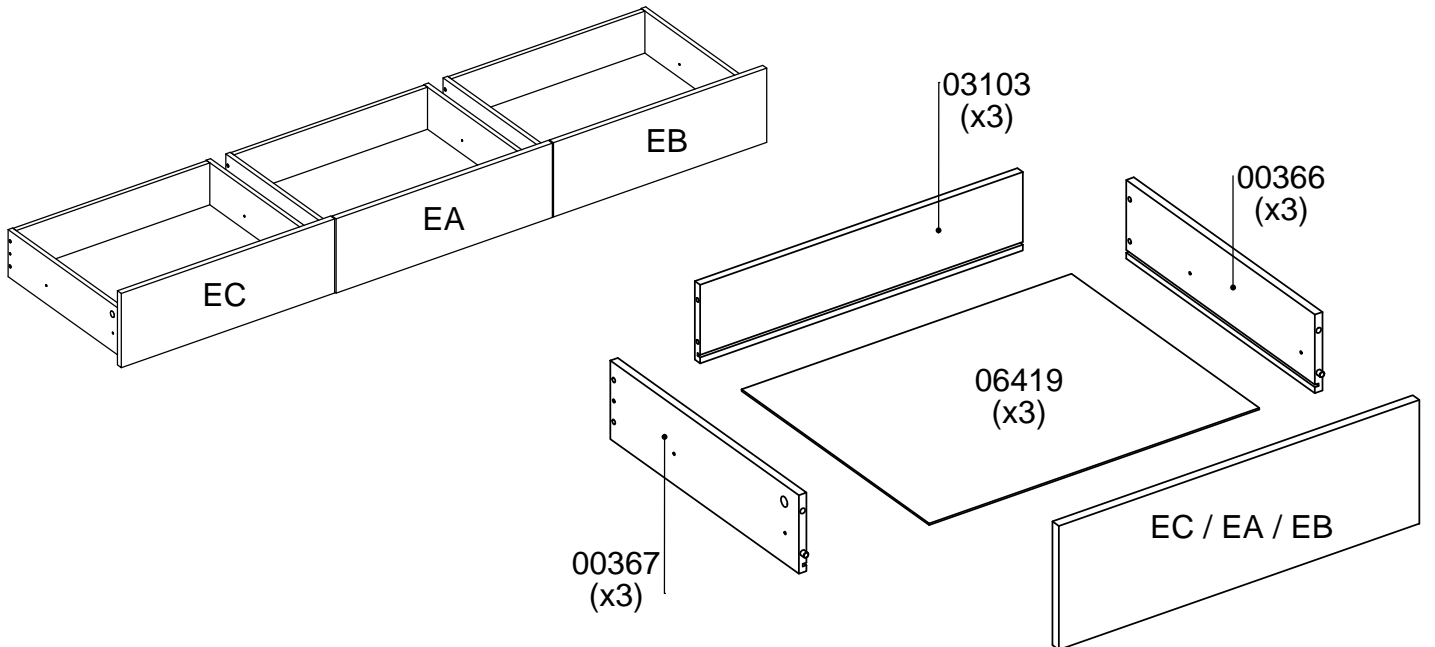
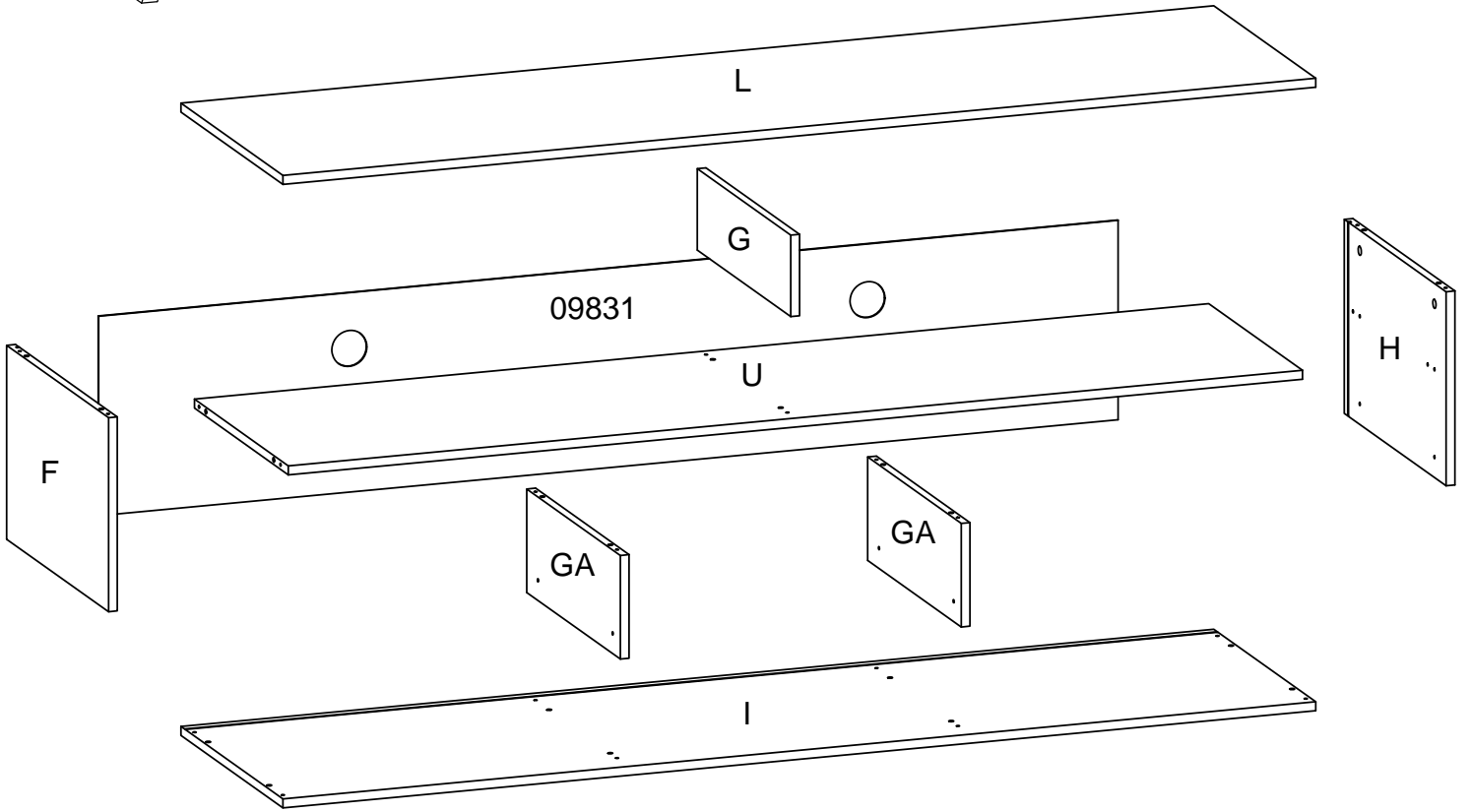
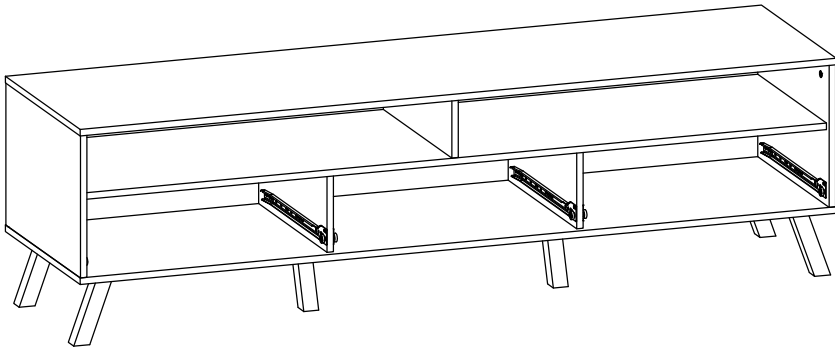


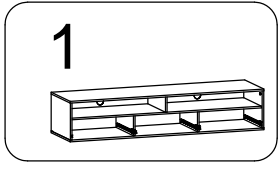
66789  
x6



97642  
x1

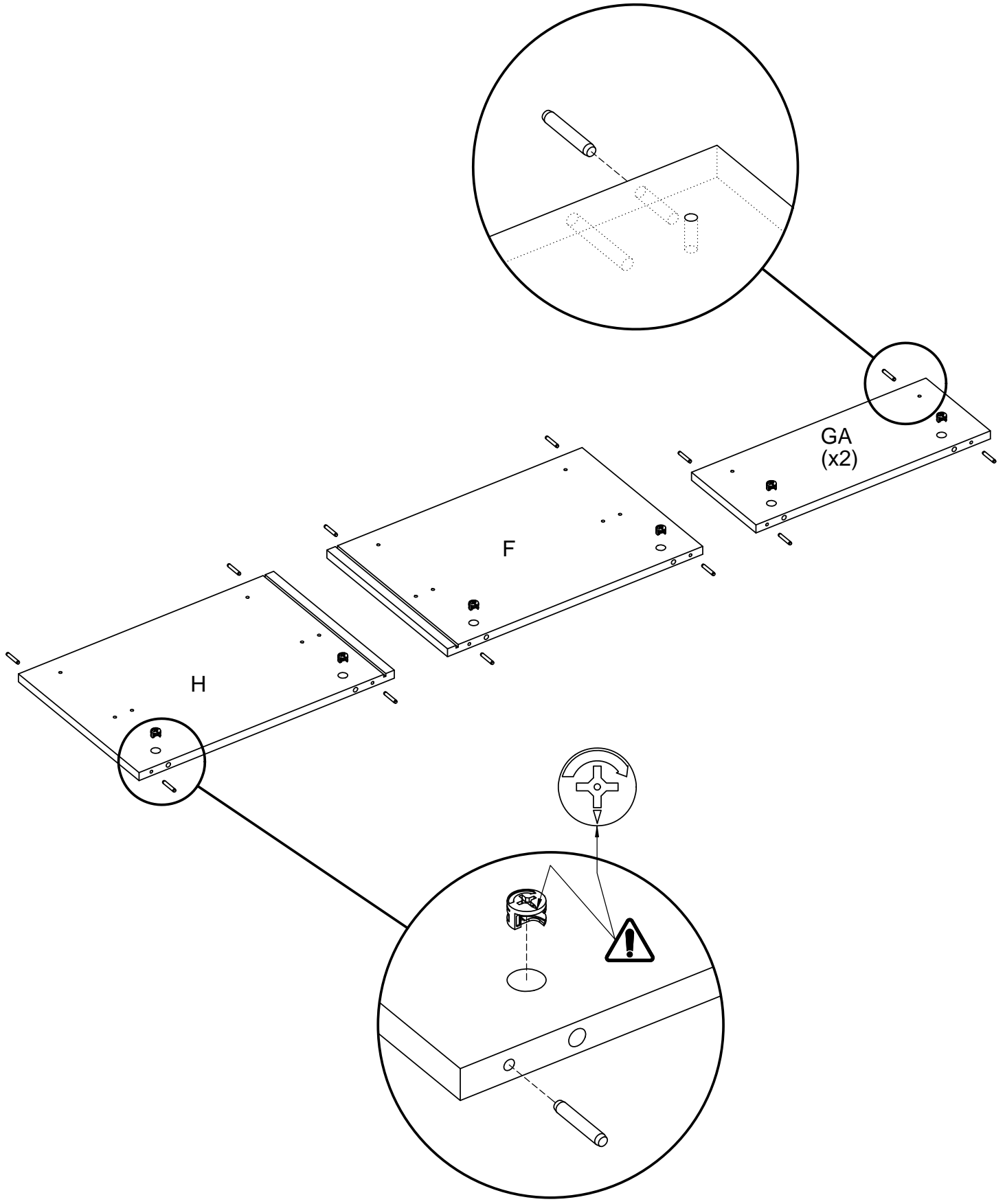






# 20203  
x16

# 31687  
x8

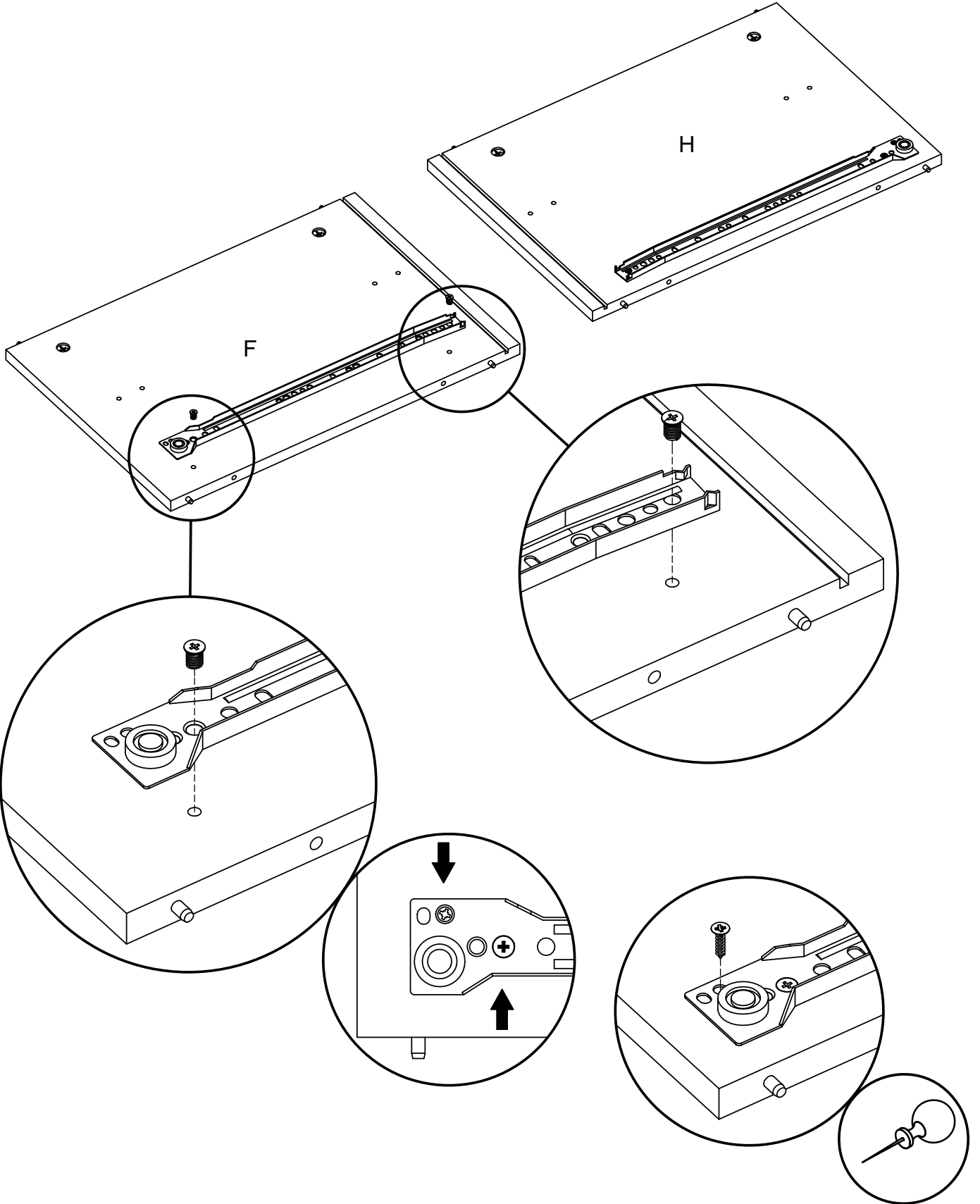


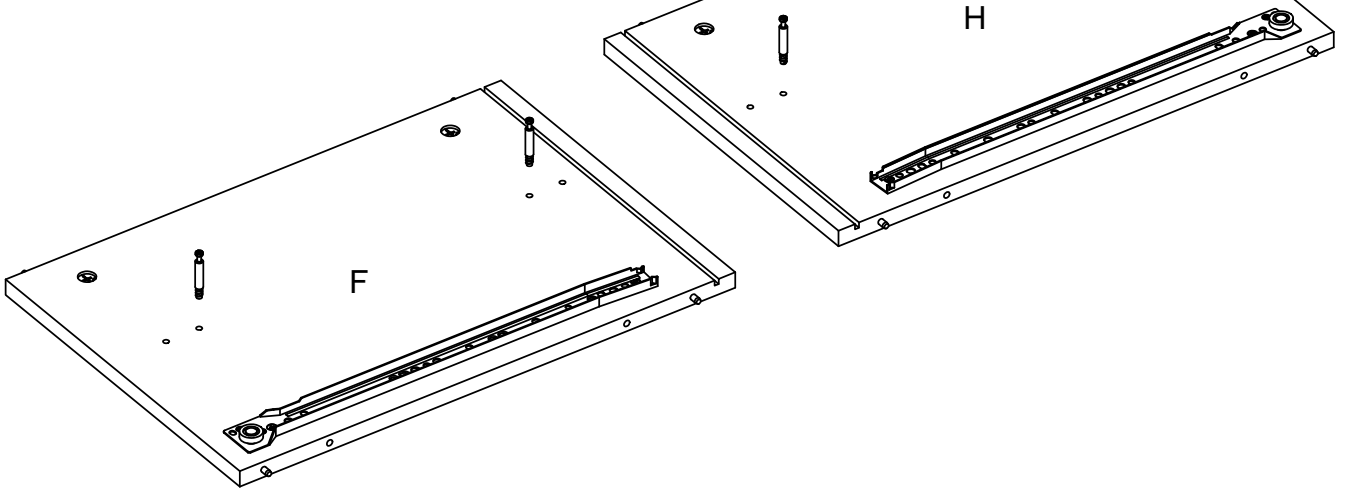
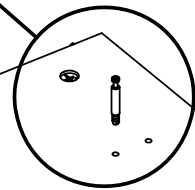
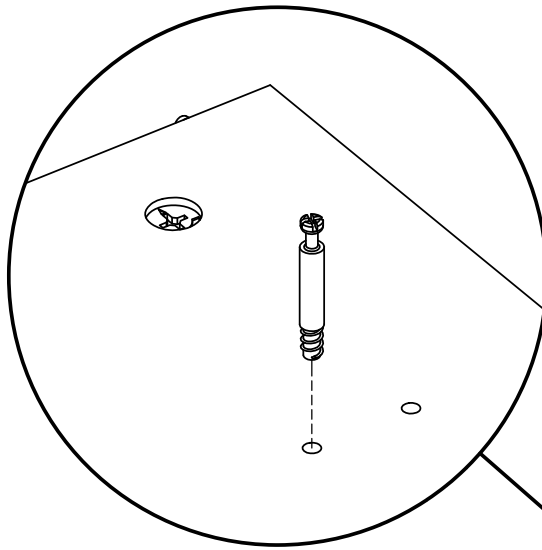
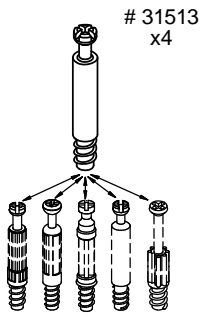
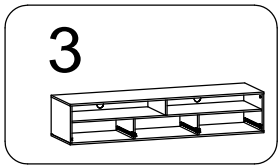
2

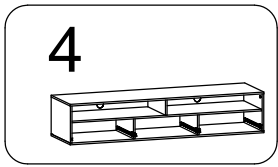
# 25233  
x2

# 26034  
x4

# 41641  
x1







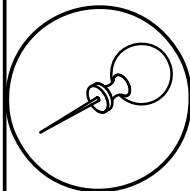
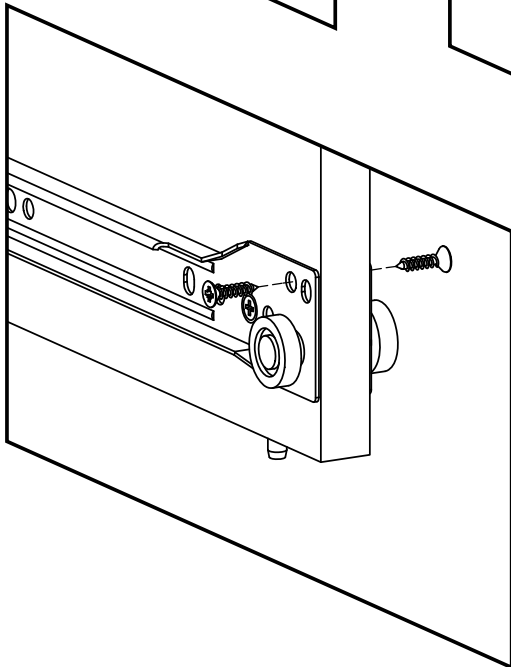
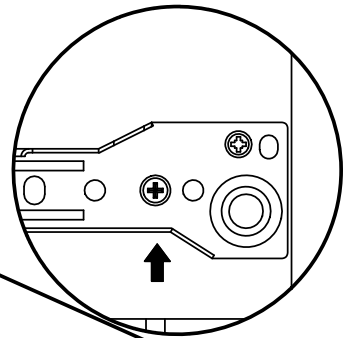
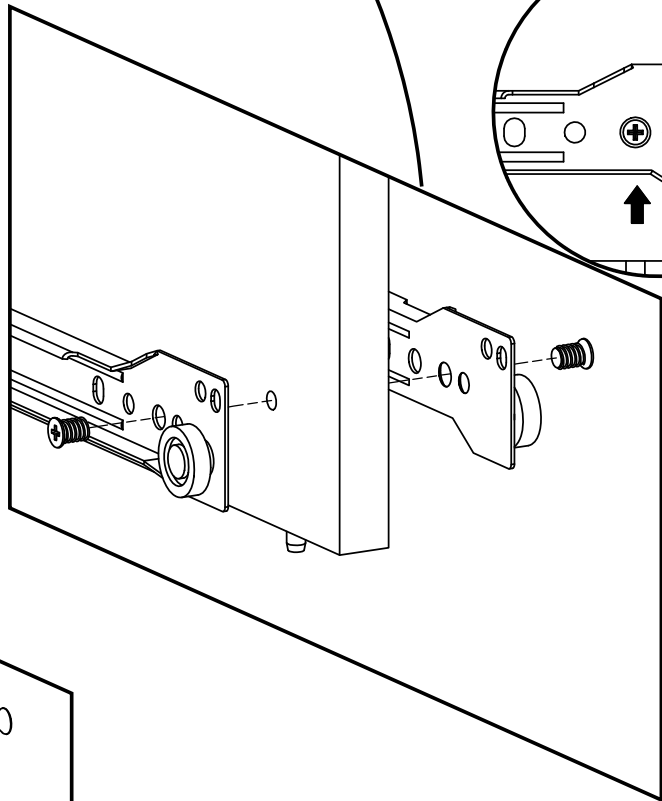
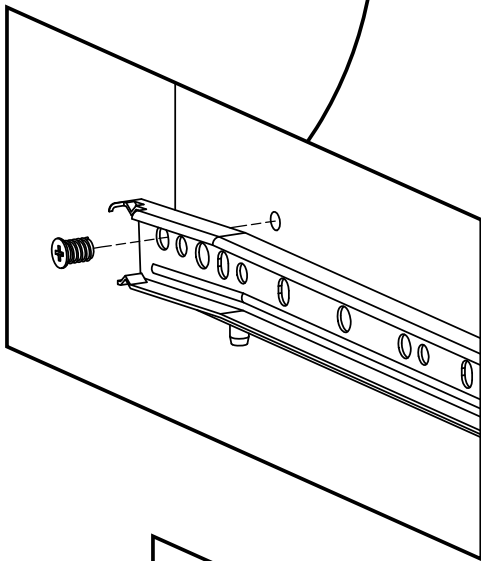
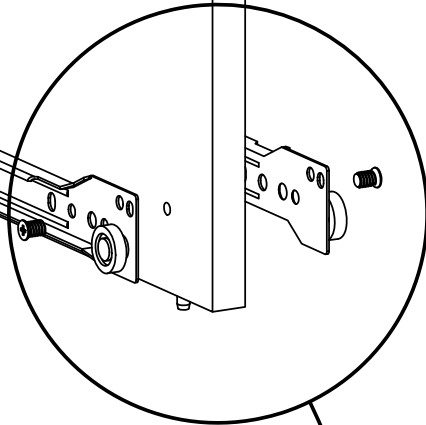
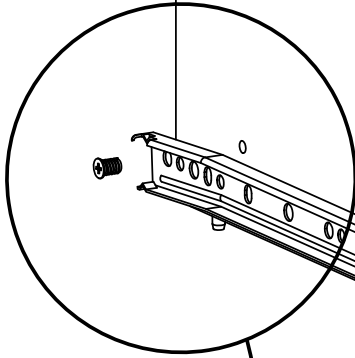
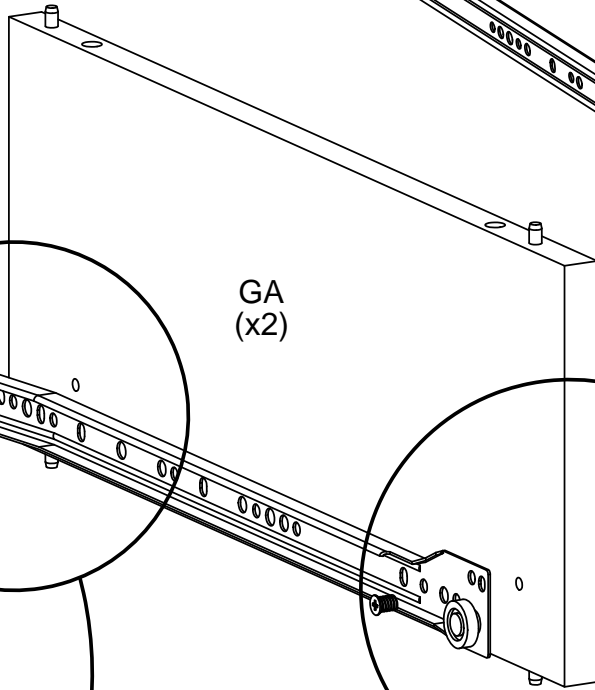
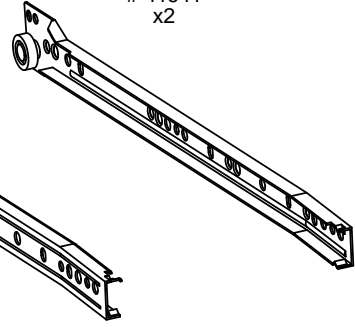
# 25233  
x4

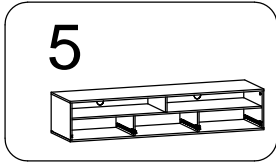


# 26034  
x8

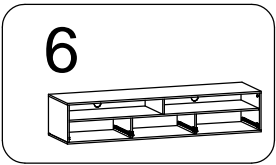
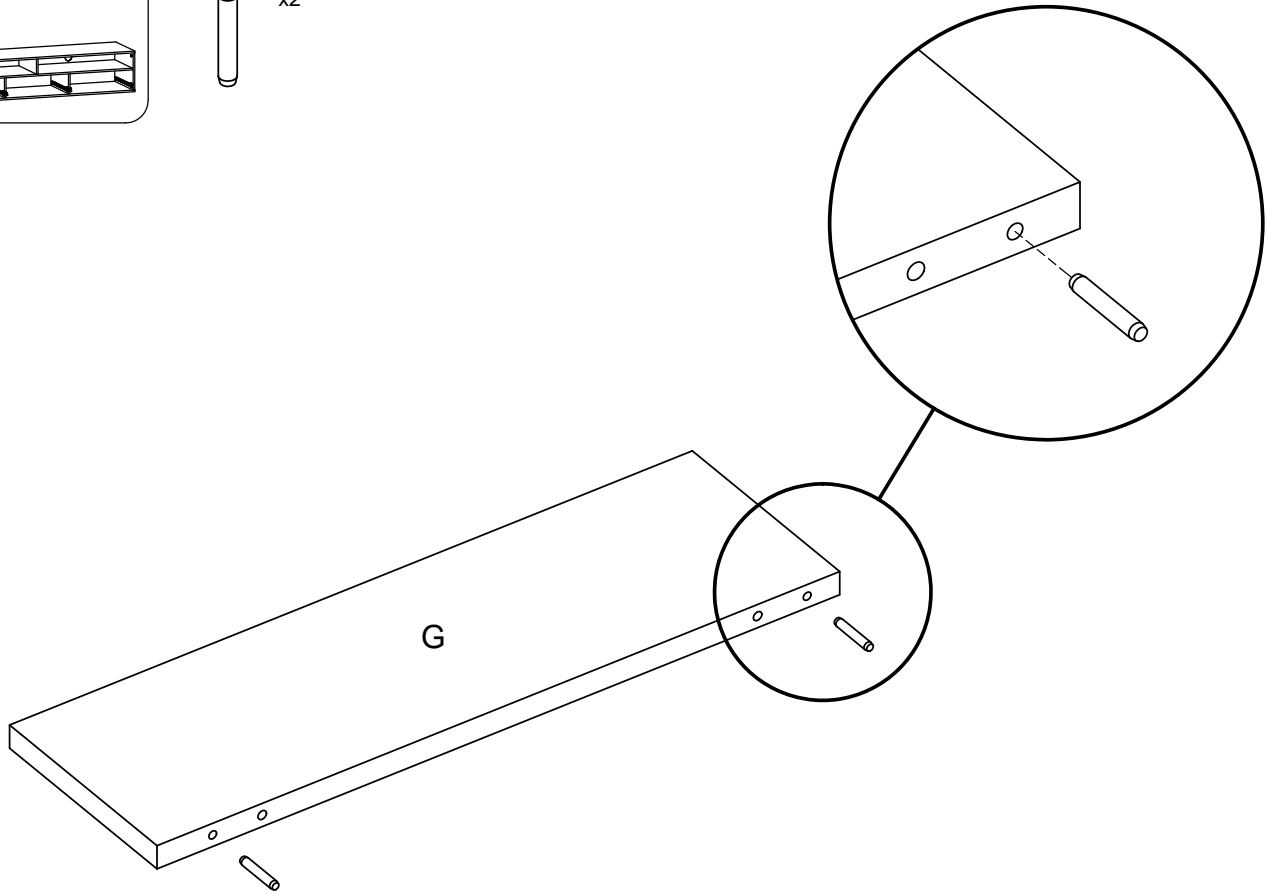


# 41641  
x2



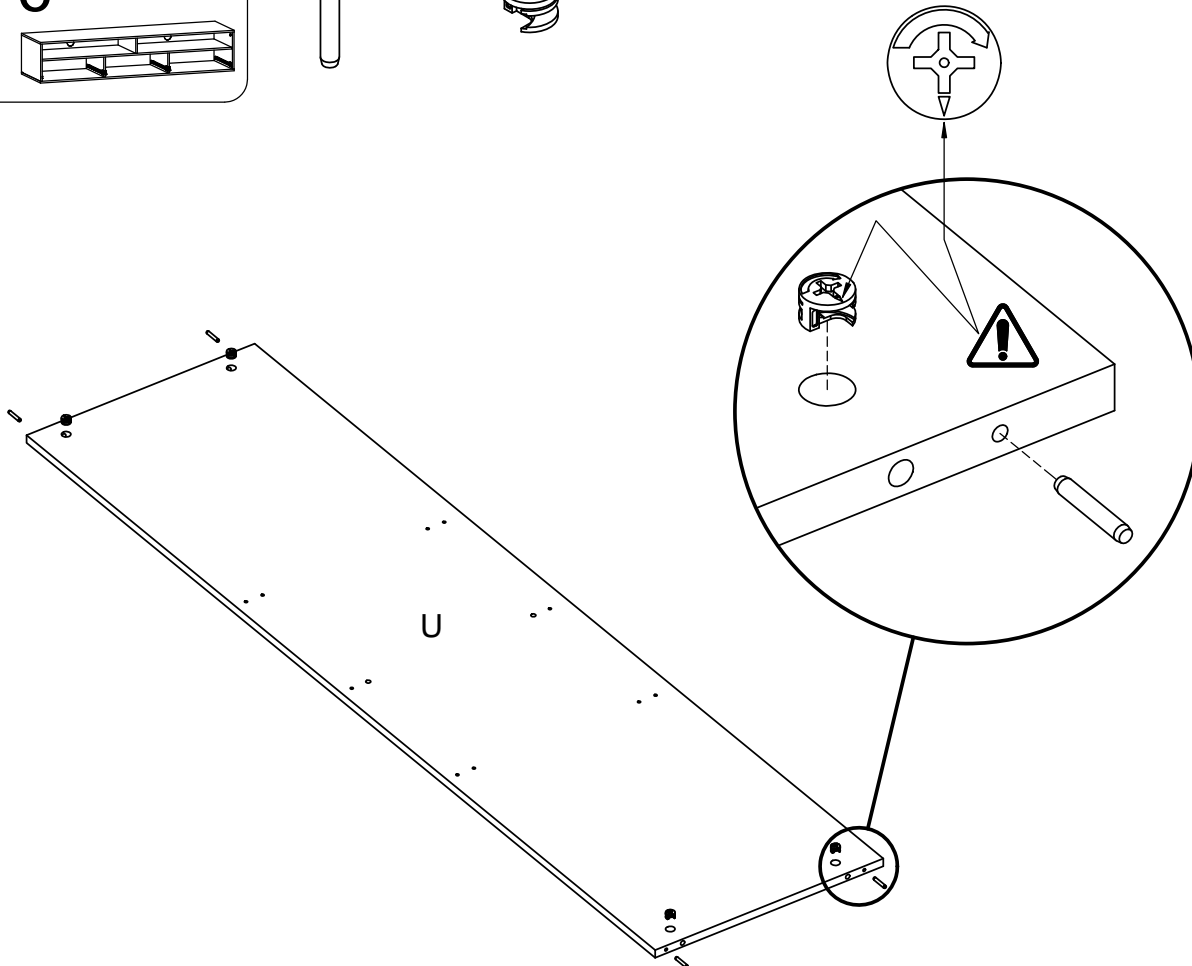


# 20203  
x2

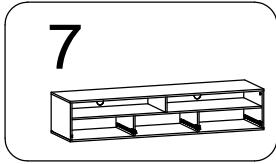


# 20203  
x4

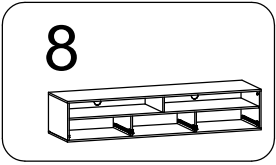
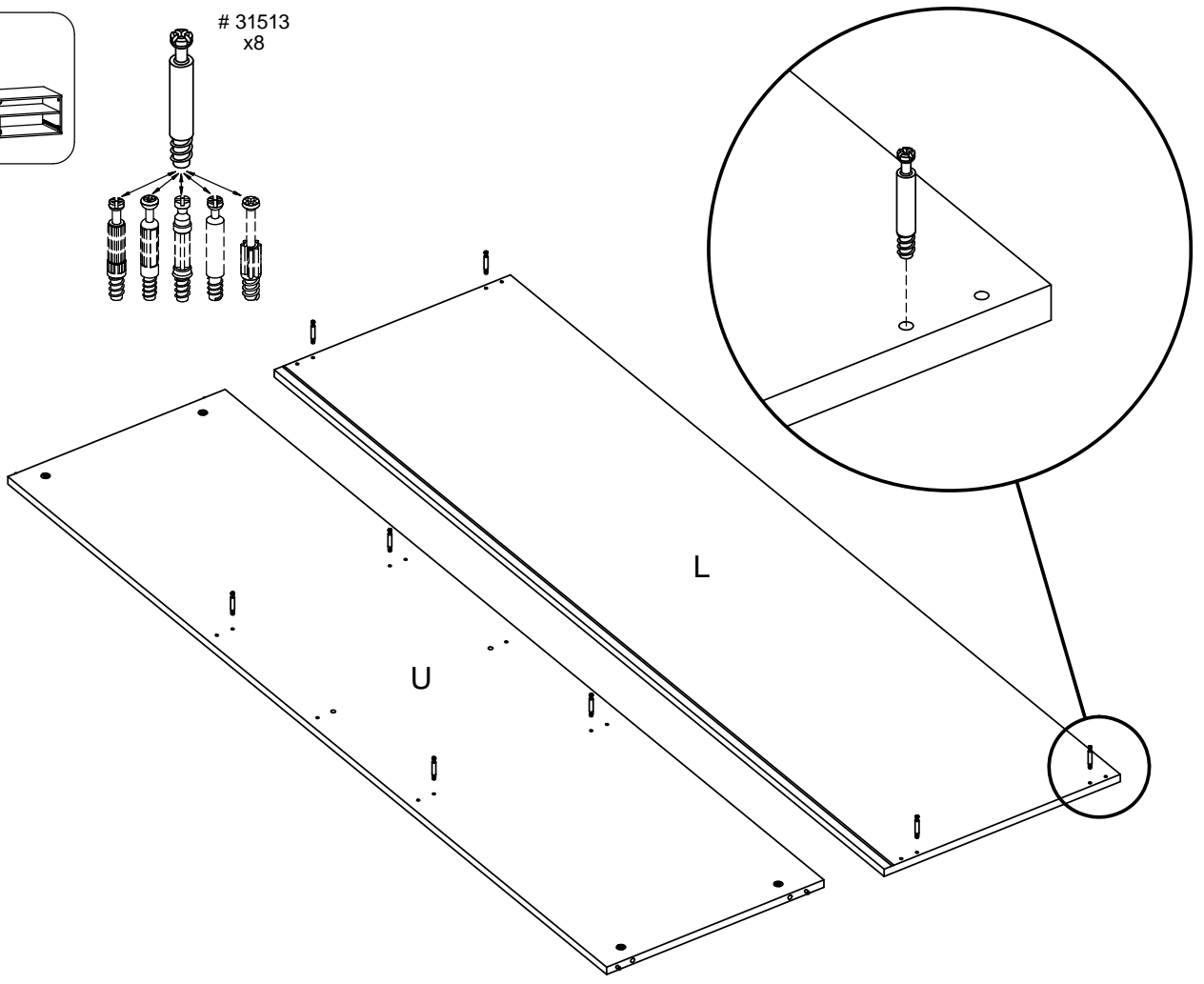
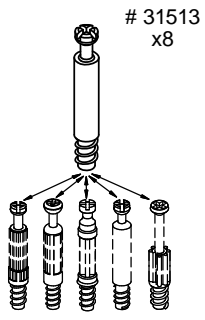
# 31687  
x4



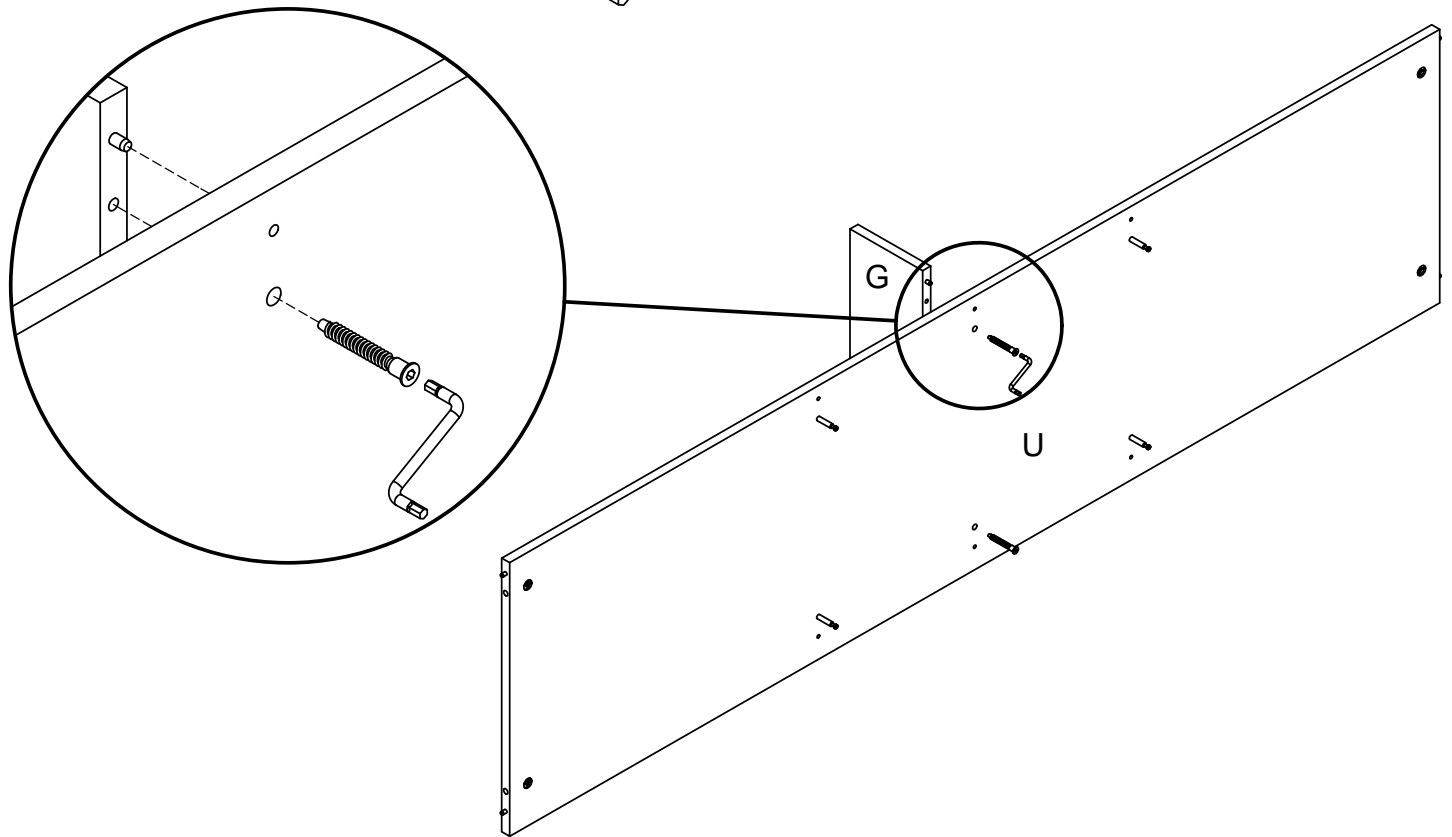
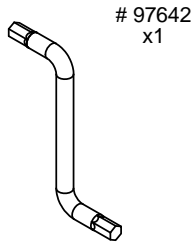
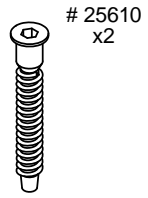




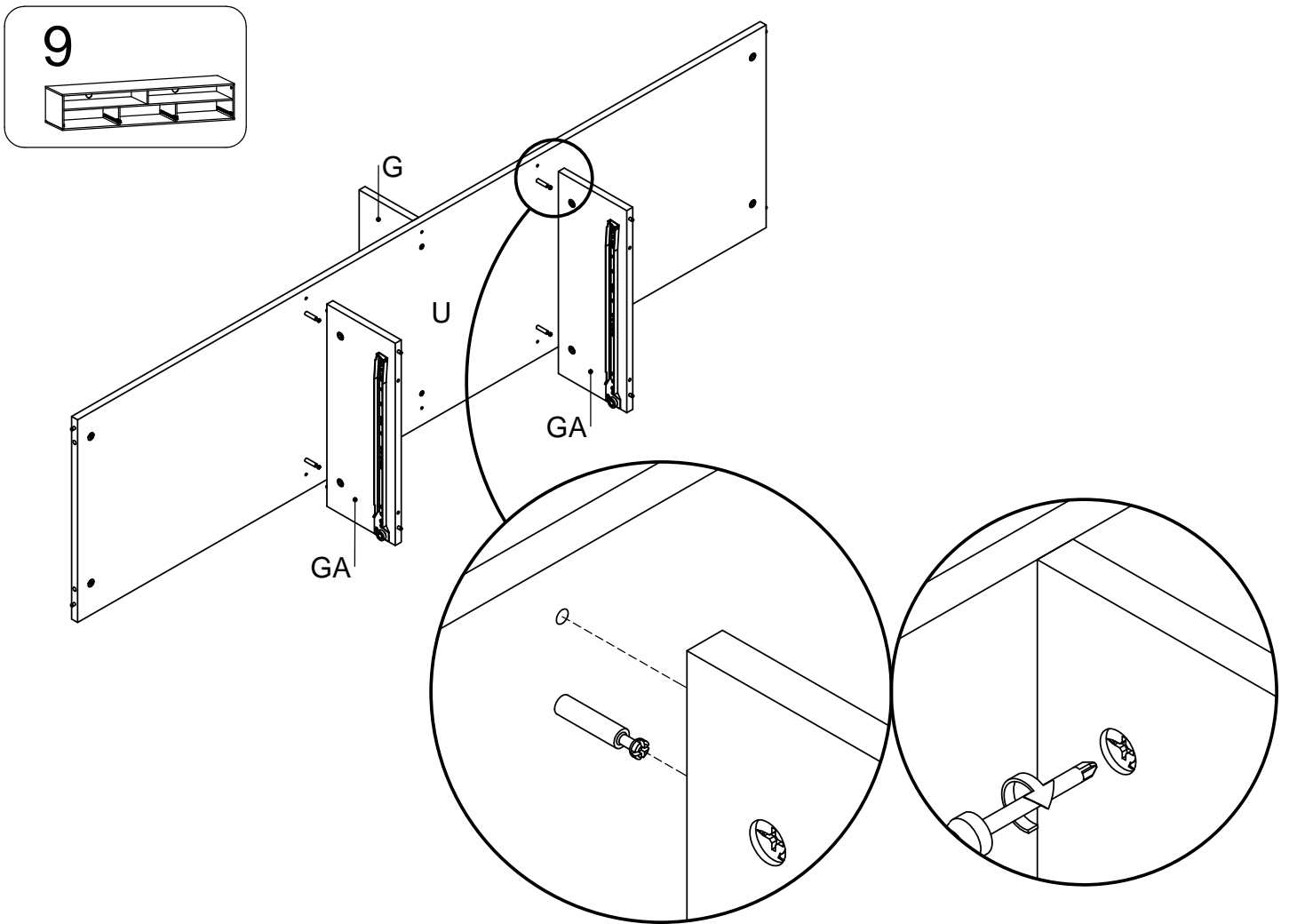
7



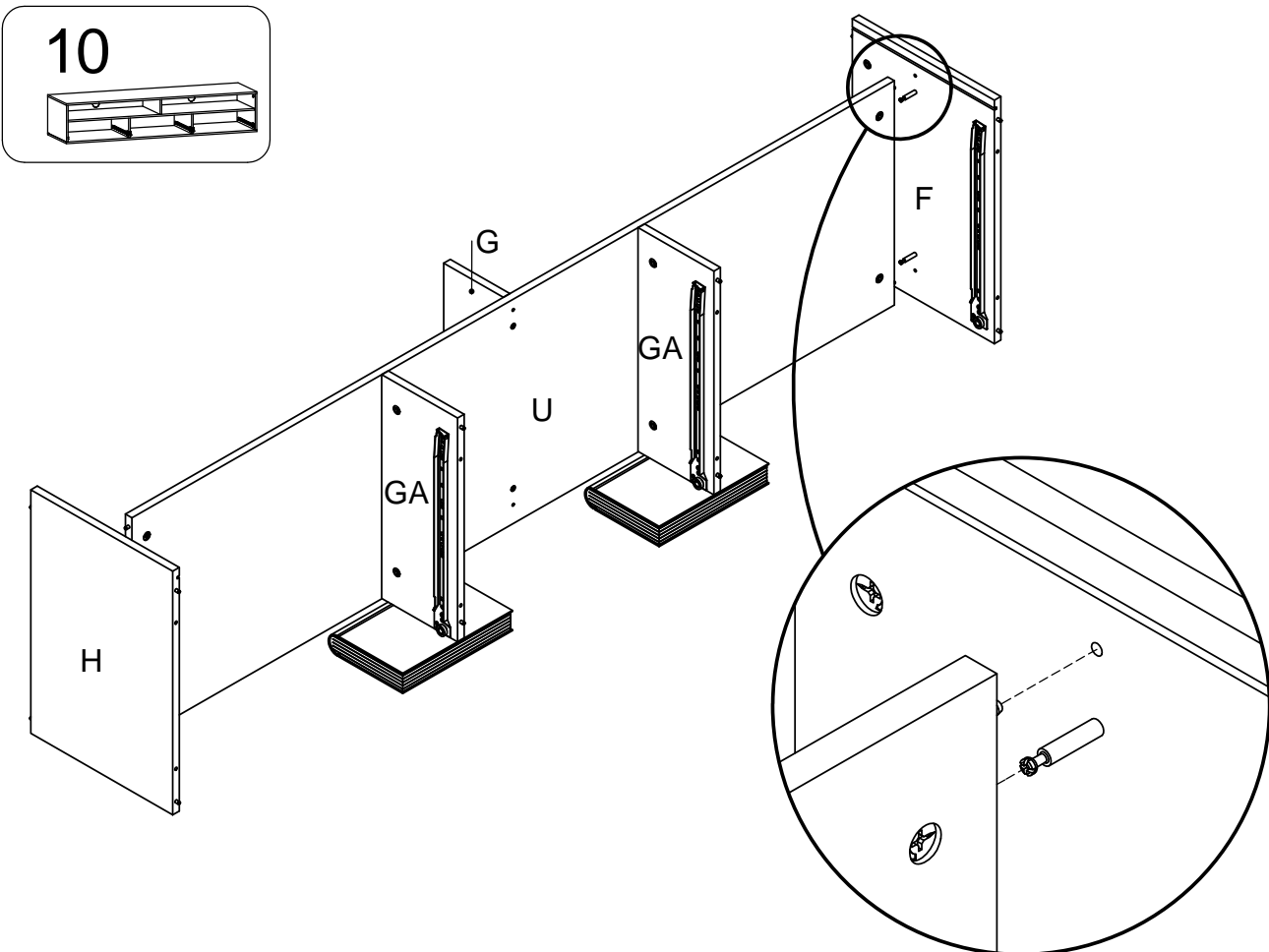
8

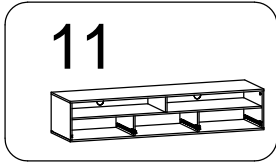


9

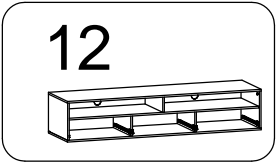
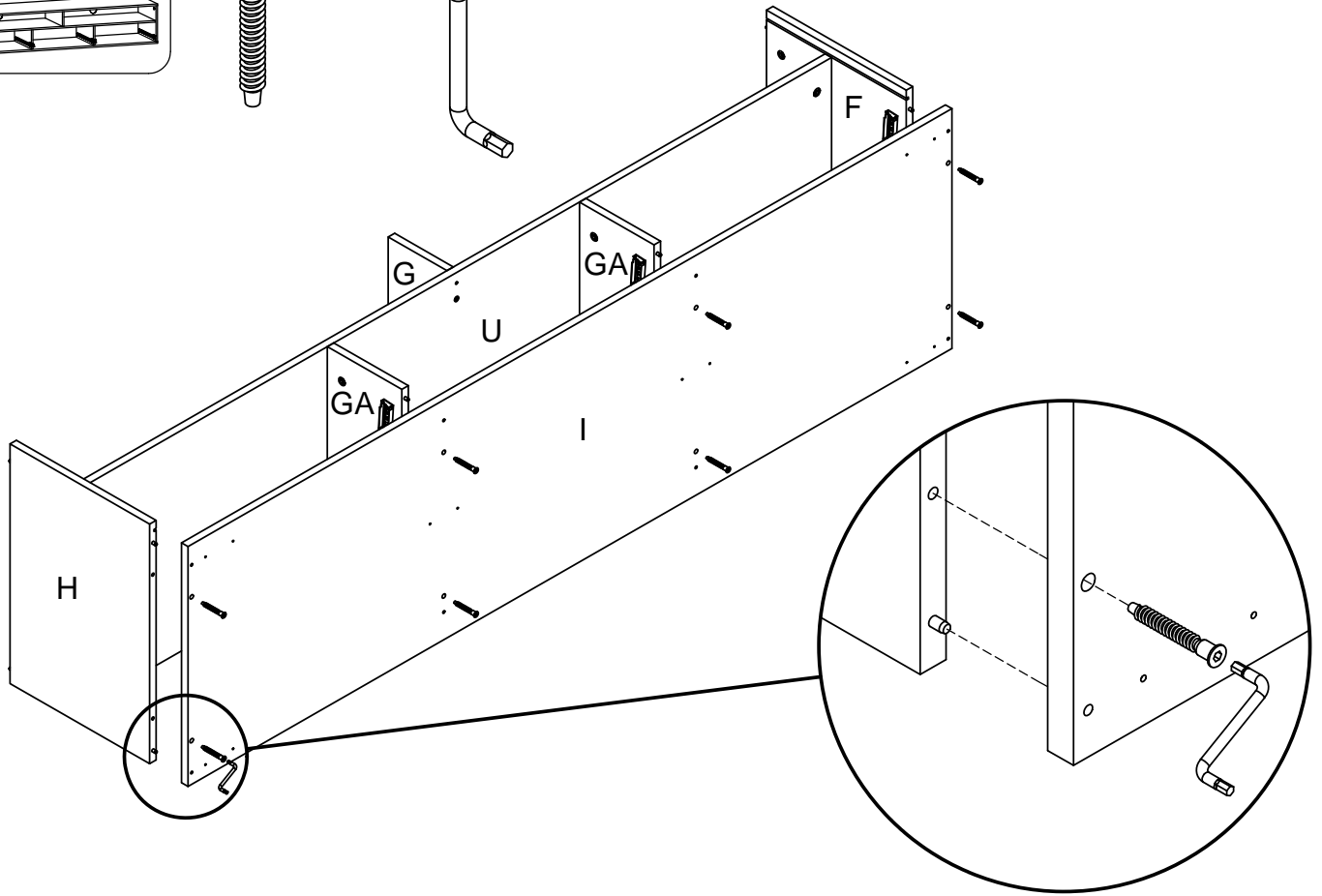
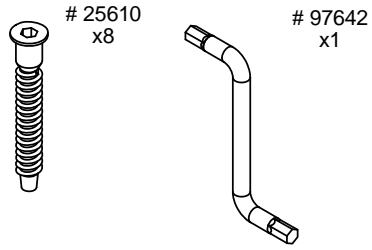


10

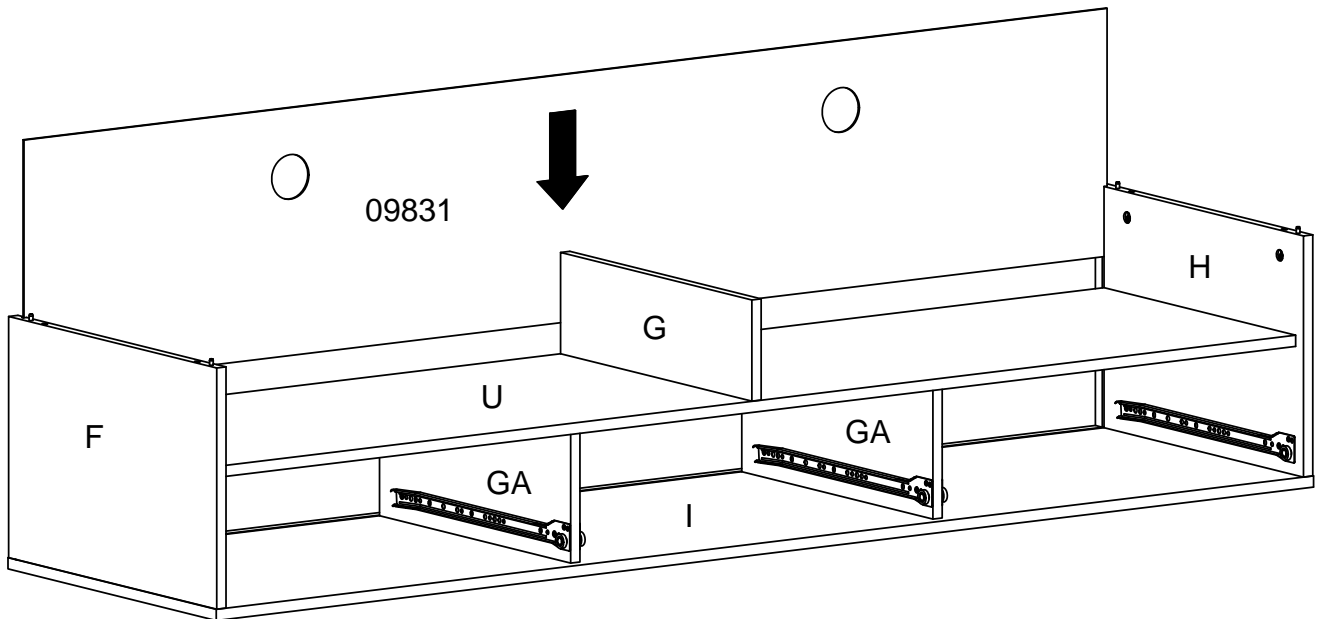




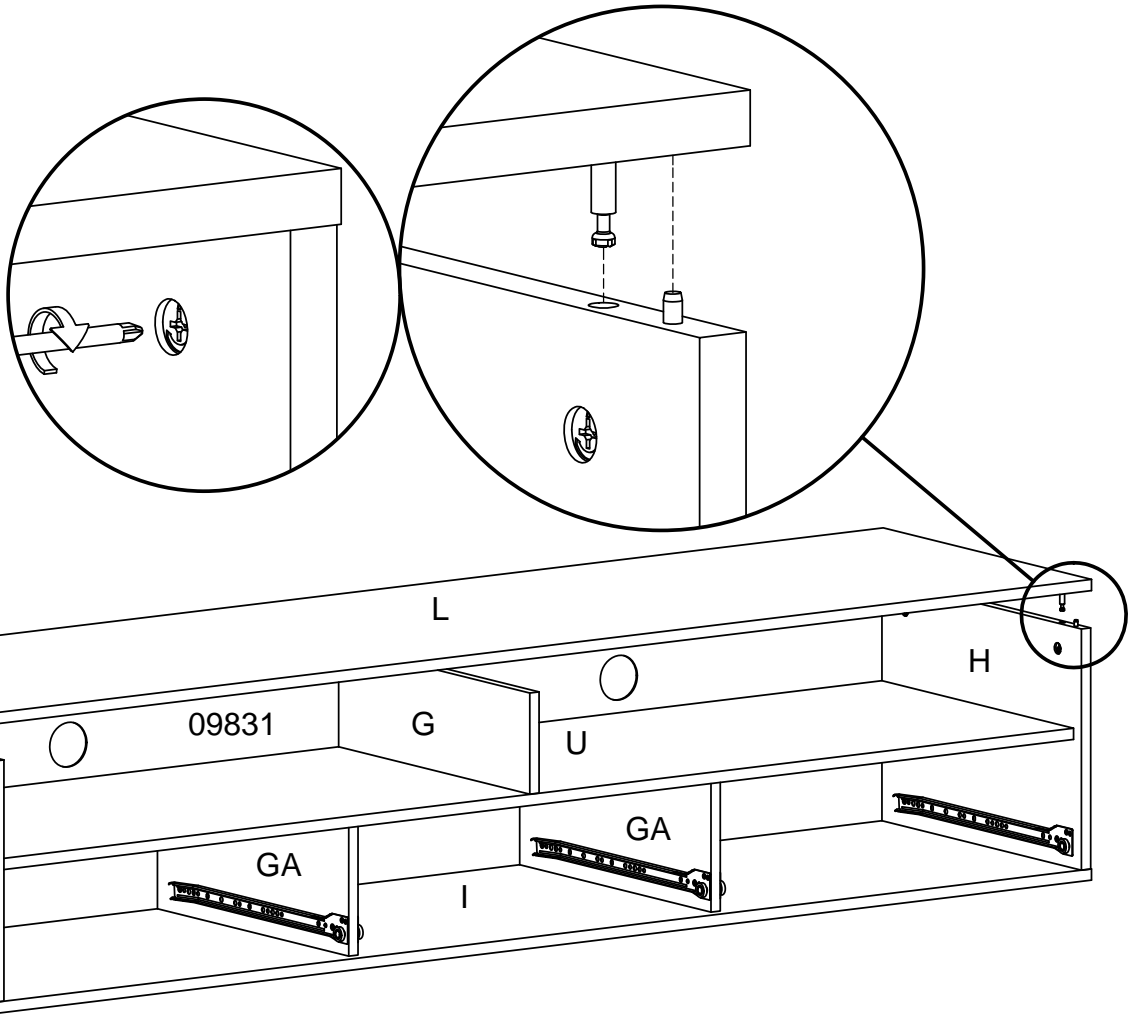
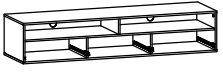
11



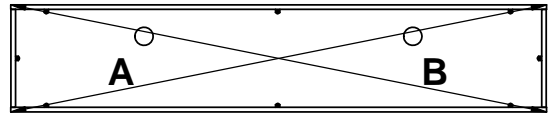
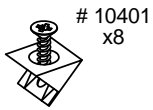
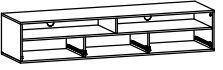
12



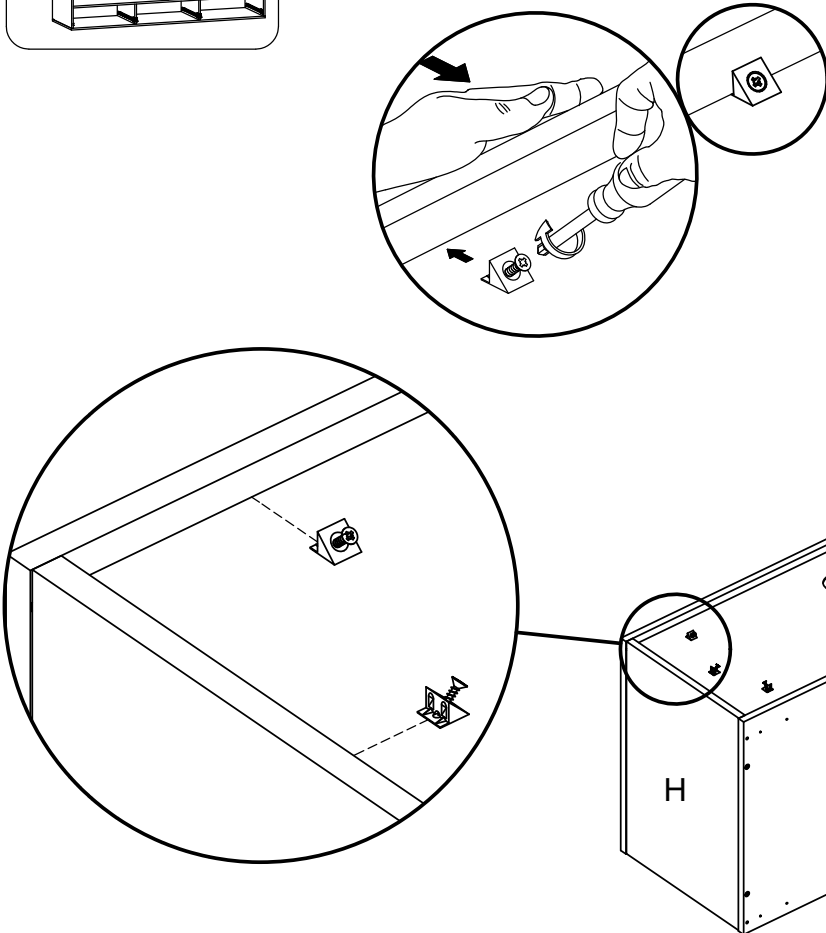
13



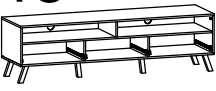
14




A = B



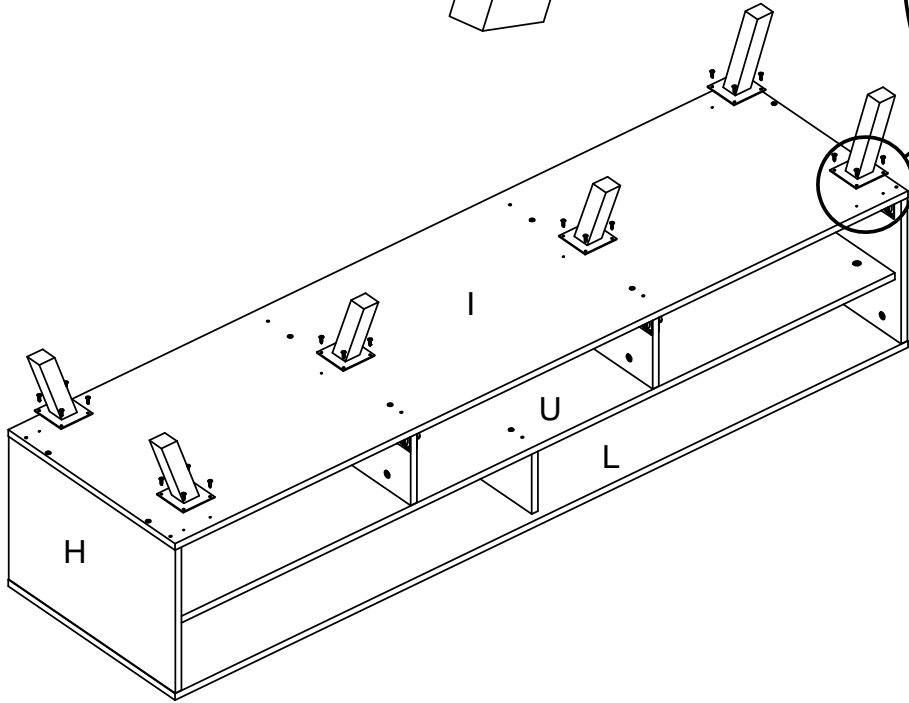
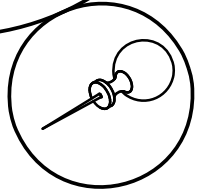
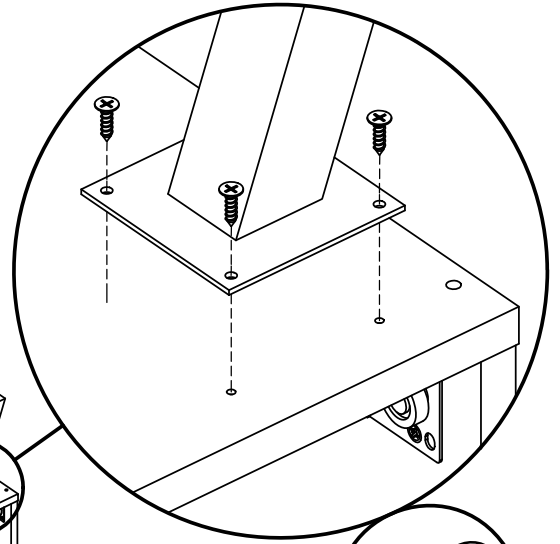
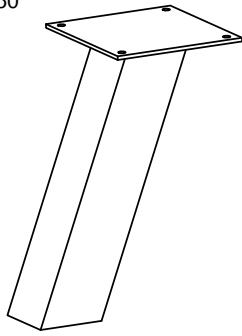
# 15



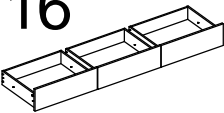
# 25250  
x24



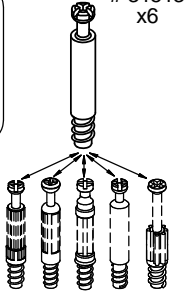
# 66789  
x6

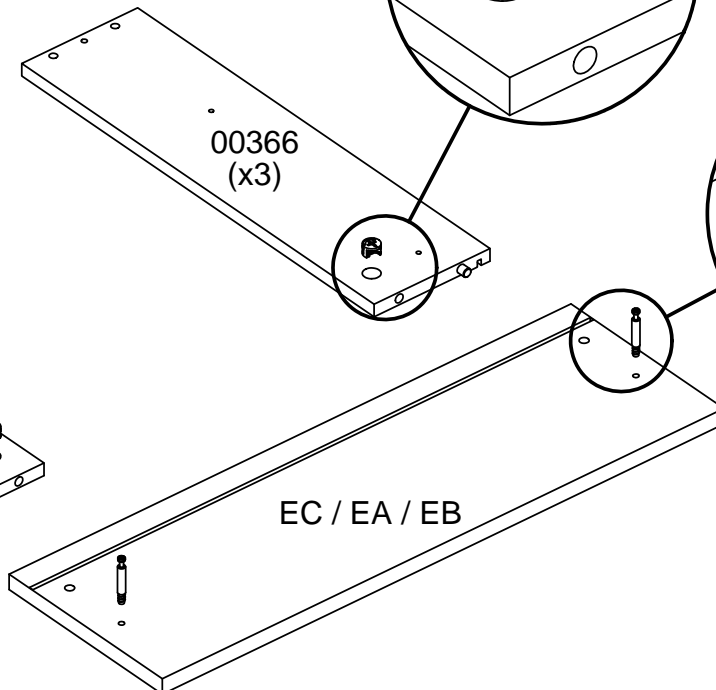
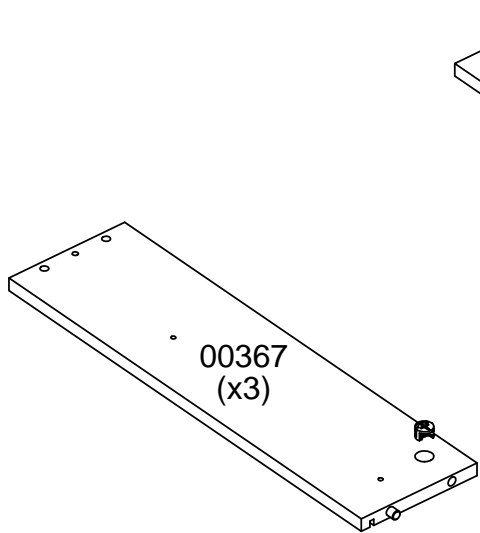
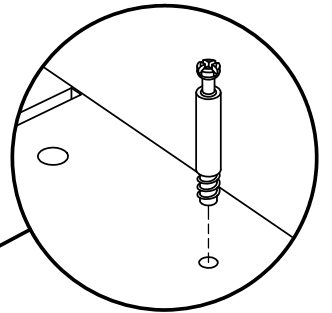
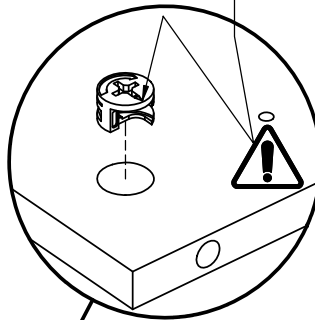
# 16

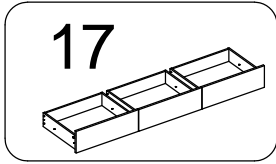


# 31513  
x6

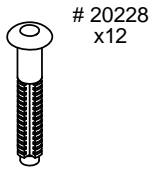


# 31687  
x6

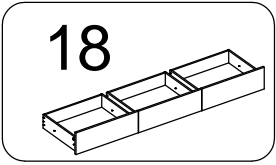
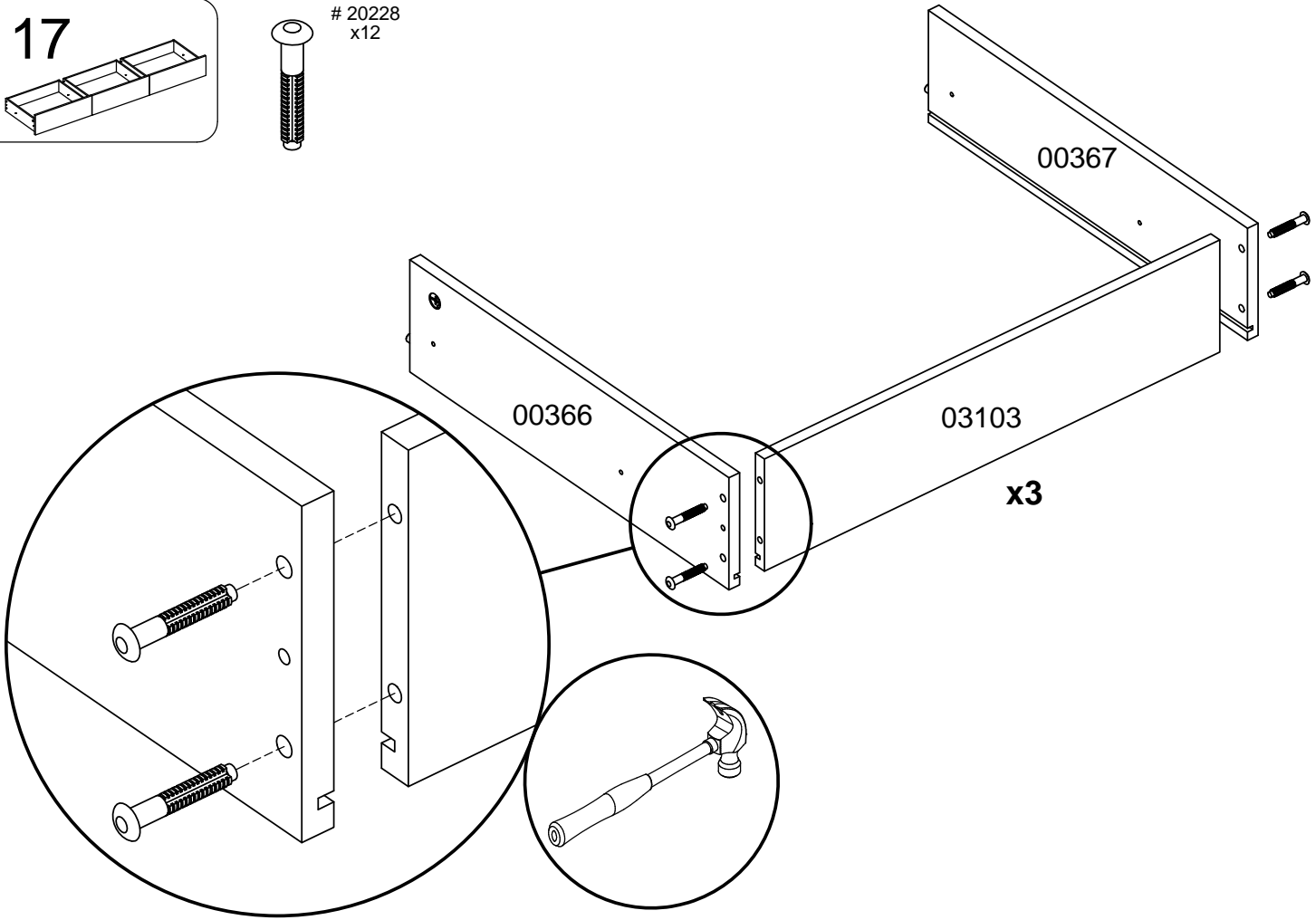





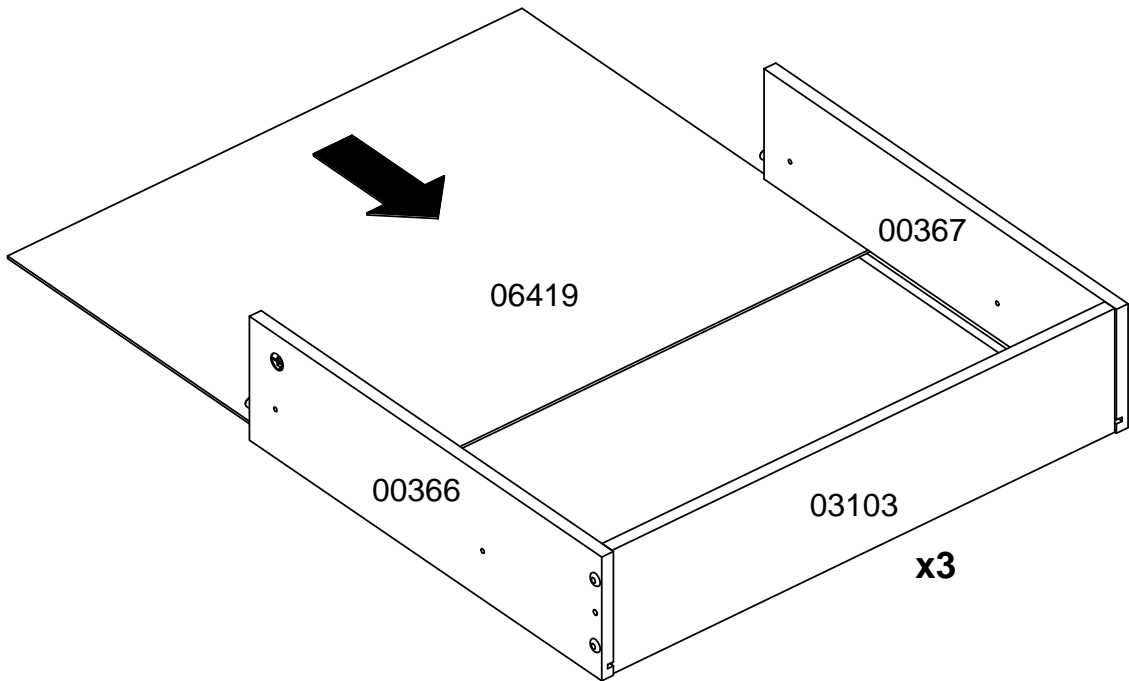
17



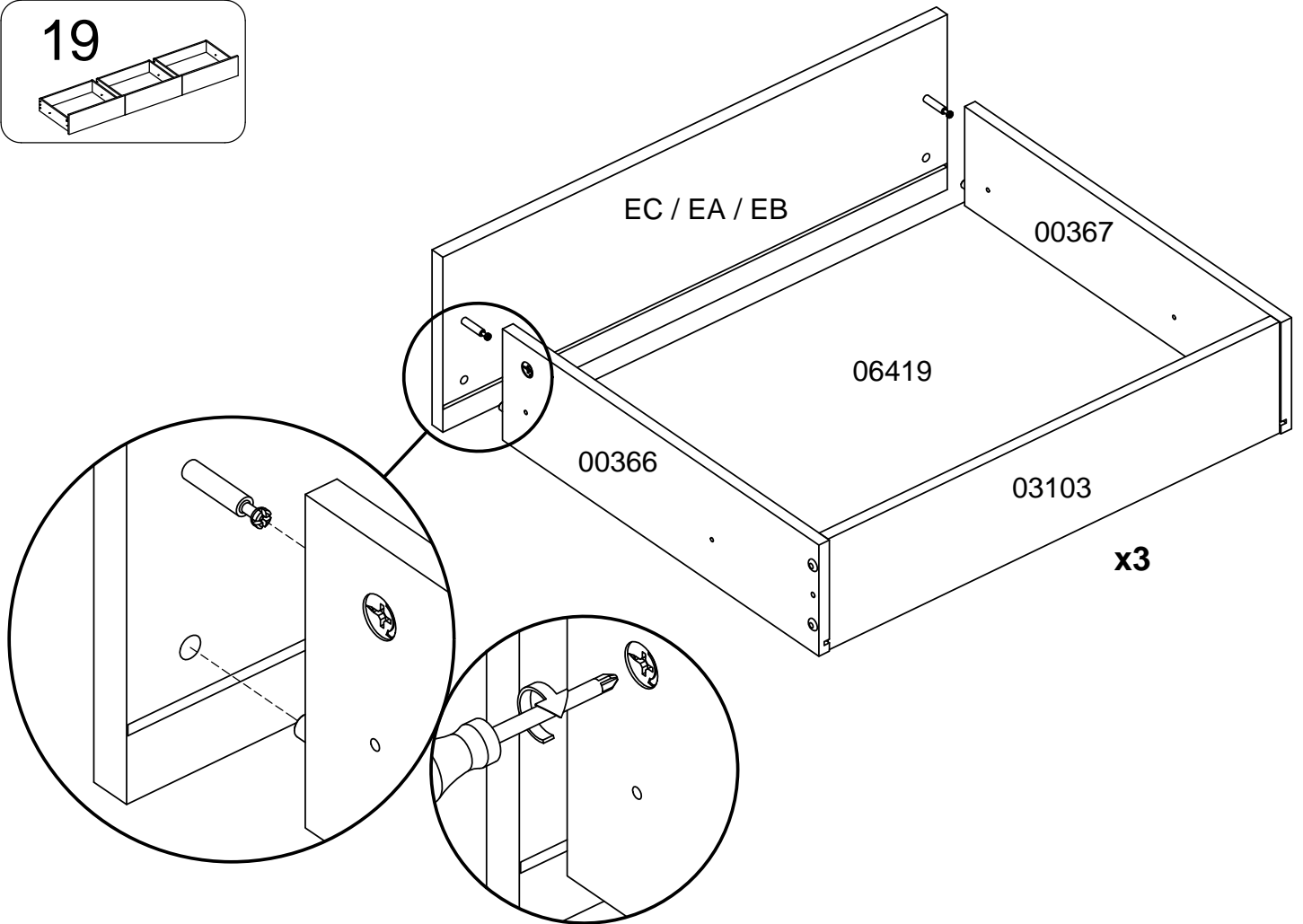
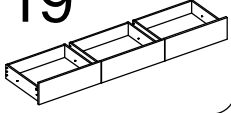
# 20228  
x12



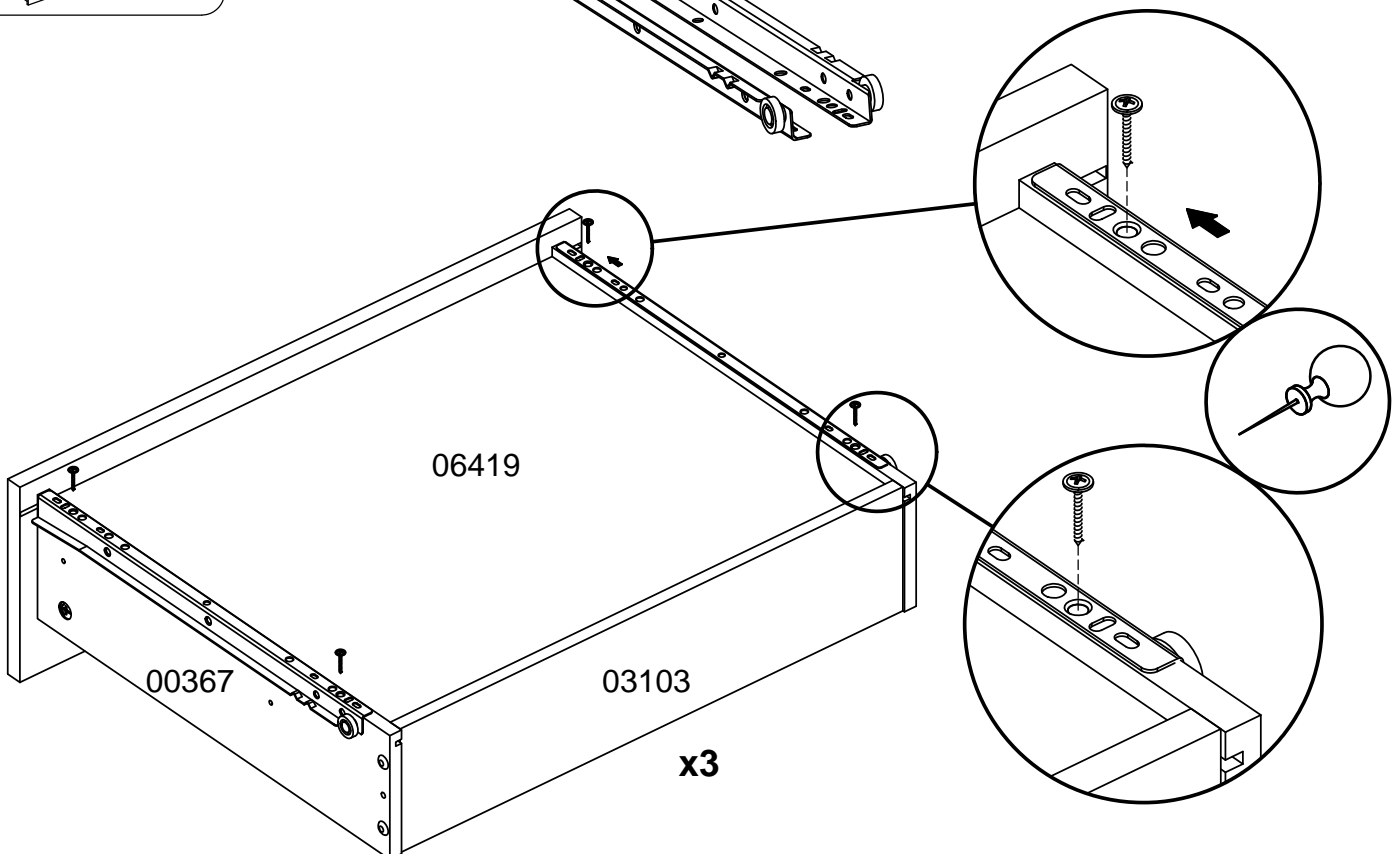
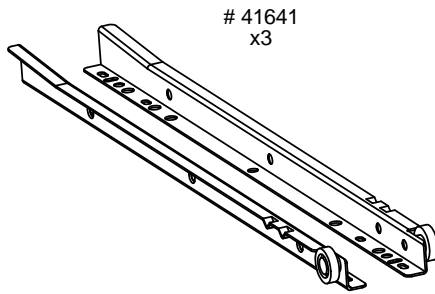
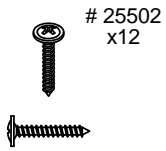
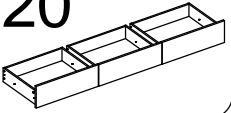
18

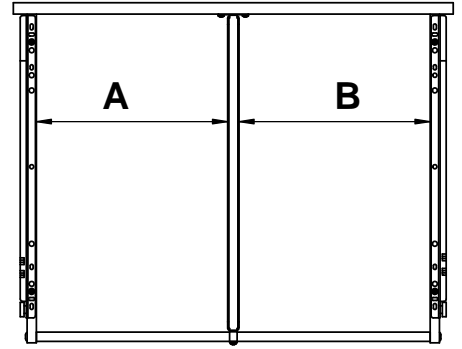
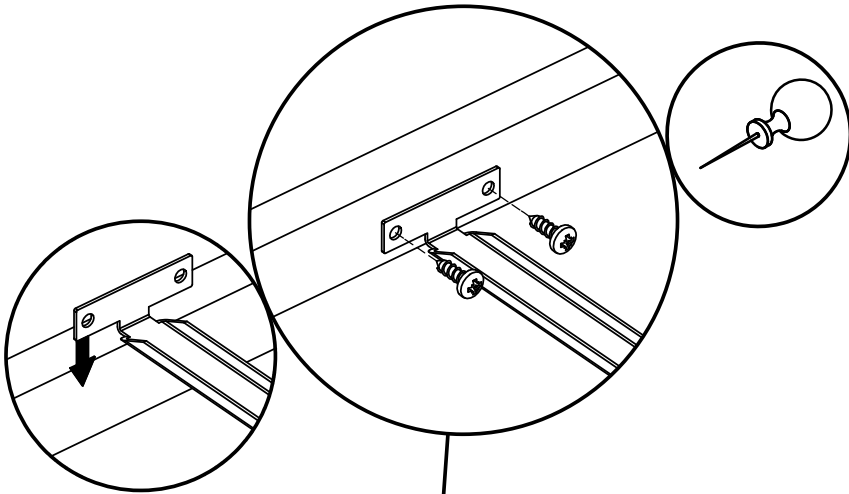
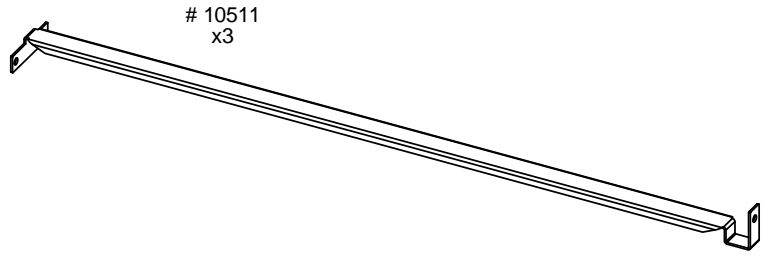
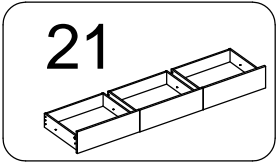


19

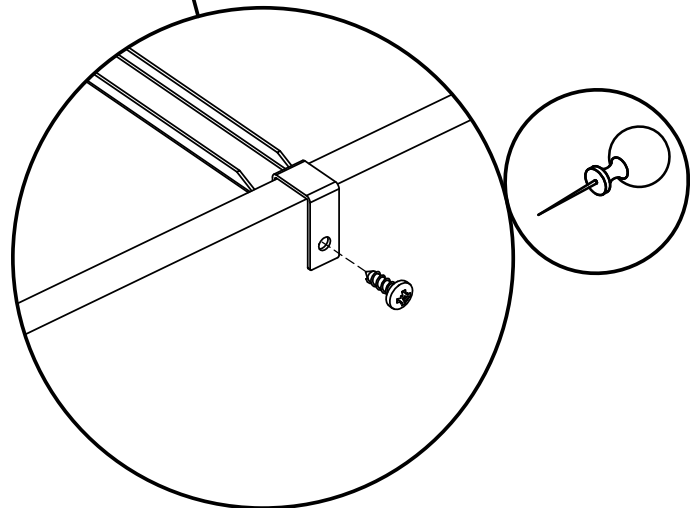
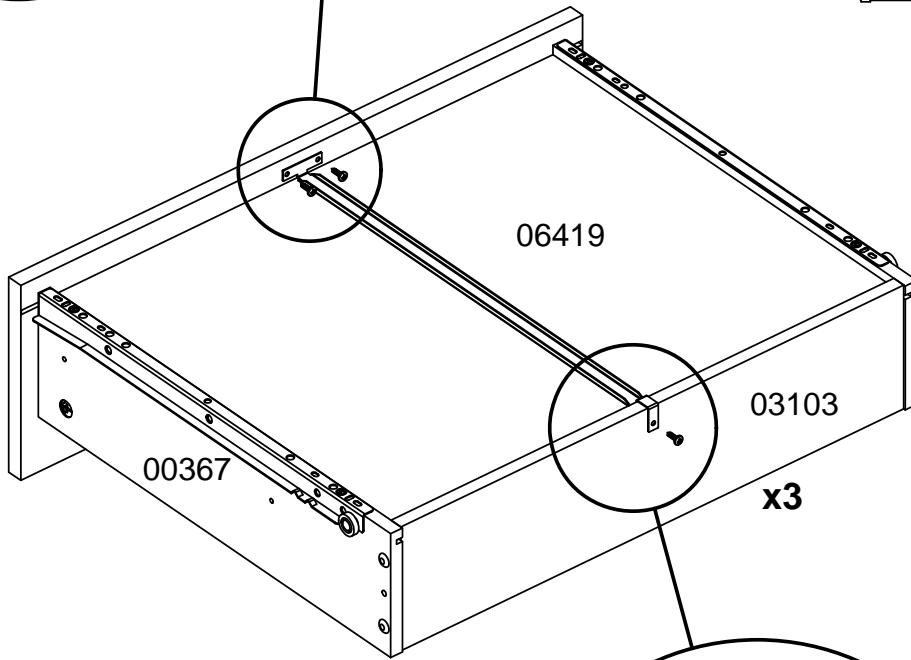


20



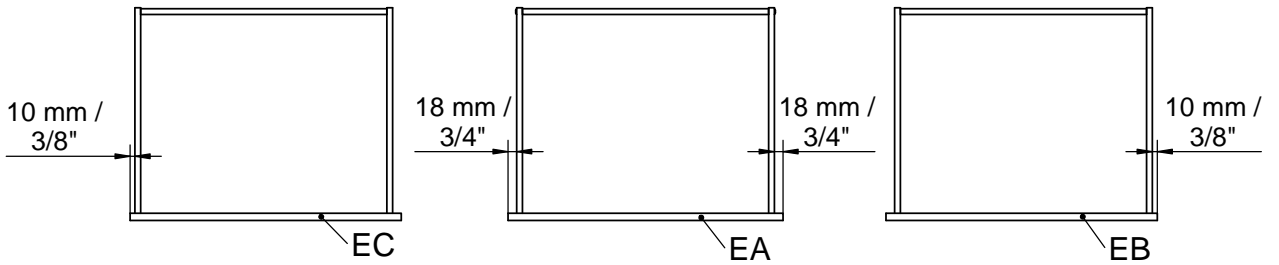
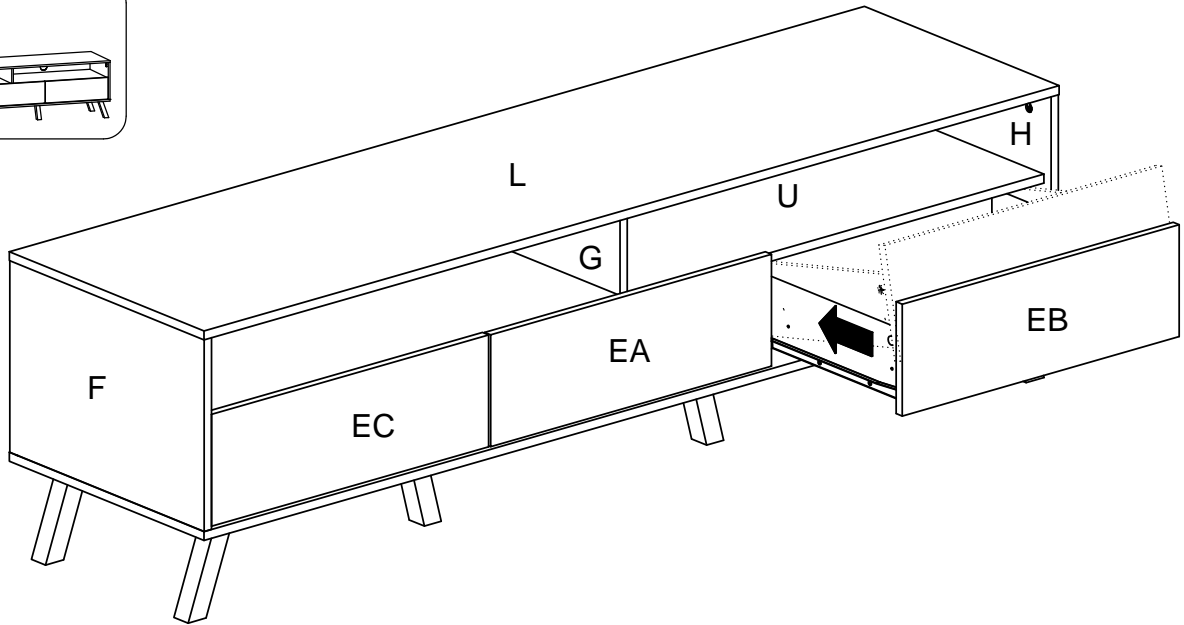
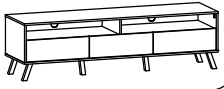


A = B

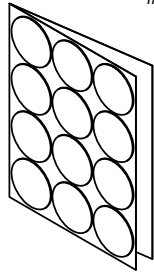
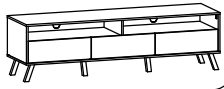




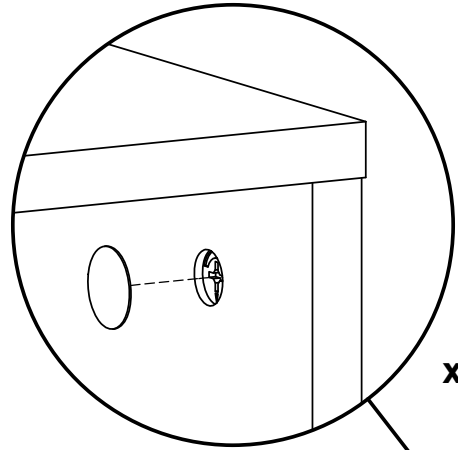
22



23



# 10901  
x1



x4

