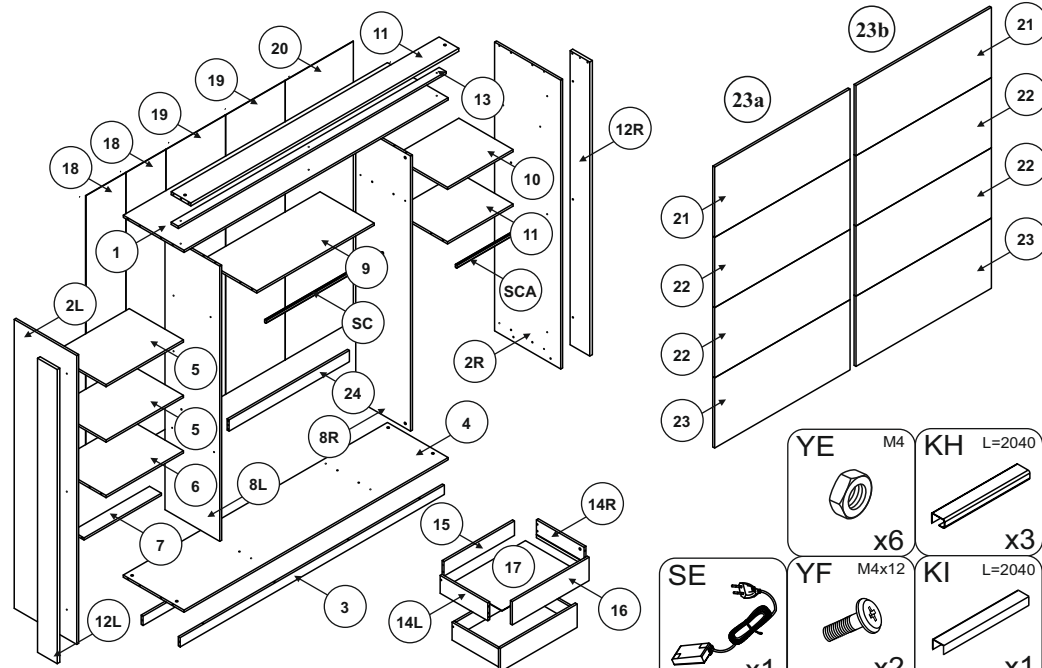
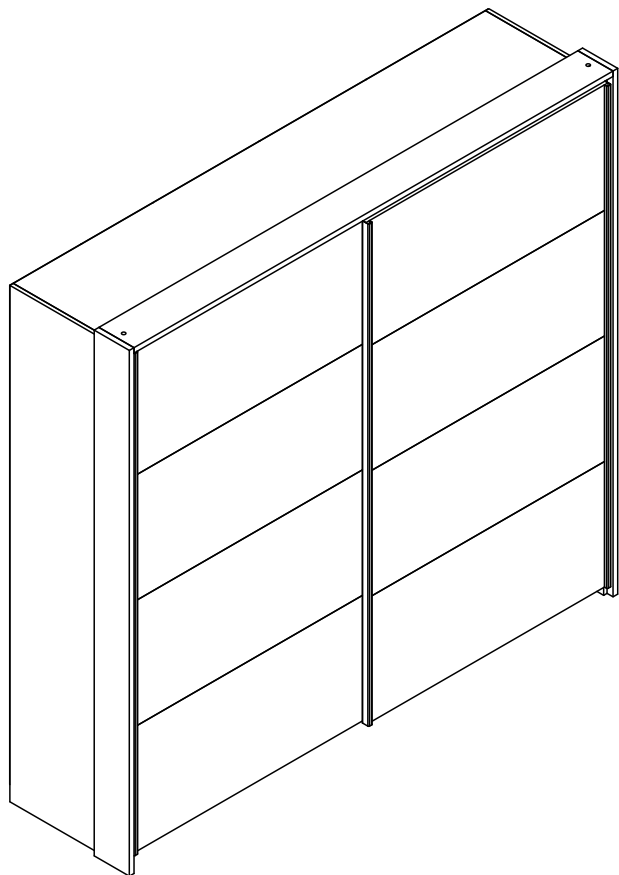


# LATIKA

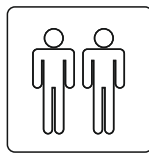
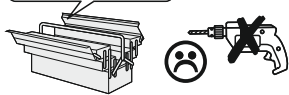
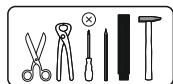
## Szafa



SD LED x2	GA L=400 x4	TC x4	SC L=980 x1	SCA L=544 x1	HE M6x30 x6	C 15x12 x36	CA 15x16 x2
B x38	Z x36	NF 4x30 x7	NK 4x12 x104	N 3,5x16 x32	JD x18	Y 7x50 x4	SB x1
A 8x35 x60	ZB x12	X x120	S L=1989 x2	NM 3x16 x18	NN 3,5x25 x2	ND 4x16 x28	YG M4x25 x4
K x2	KA x2	KB x2	KC x2	KD x2	KE x2	KF L=2216 x1	KG L=2216 x1
YE M4 x6	KH L=2040 x3	SE x1	YF M4x12 x2	KI L=2040 x1			

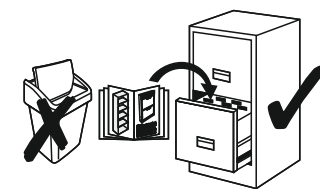
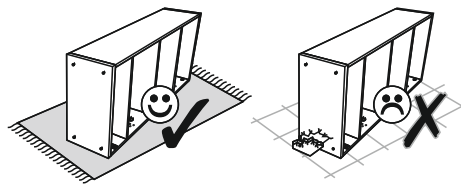
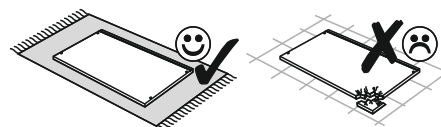


- |   |                                     |
|---|-------------------------------------|
| <b>(D)</b> Montageanleitung             | <b>(GB)</b> Assembly instructions   |
| <b>(FR)</b> Notice de montage           | <b>(IT)</b> Istruzioni di montaggio |
| <b>(NL)</b> Handleiding voor de montage | <b>(PL)</b> Instrukcja montażu      |
| <b>(CZ)</b> Montážní návod              | <b>(SK)</b> Návod na montáž         |
| <b>(HU)</b> Szerelési útmutató          | <b>(RO)</b> Instrucțiuni de montaj  |
| <b>(TR)</b> Montaj talimatı             | <b>(RU)</b> ИНСТРУКЦИЯ ПО МОНТАЖУ   |



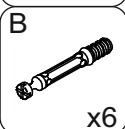
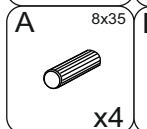
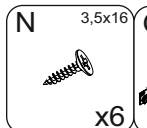
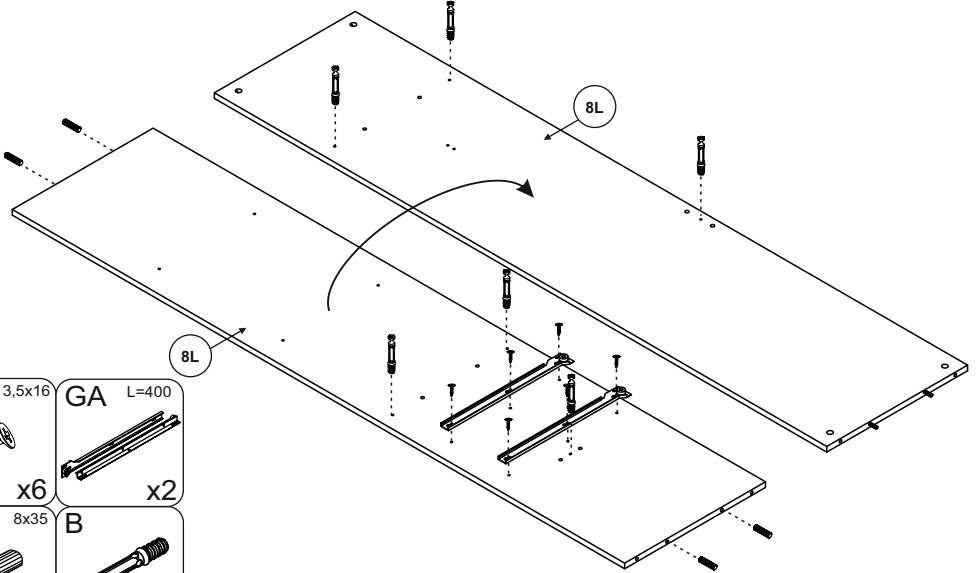
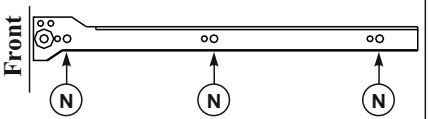
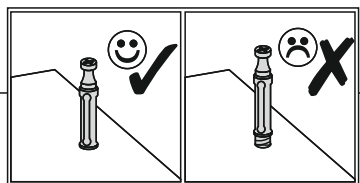
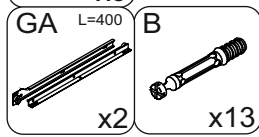
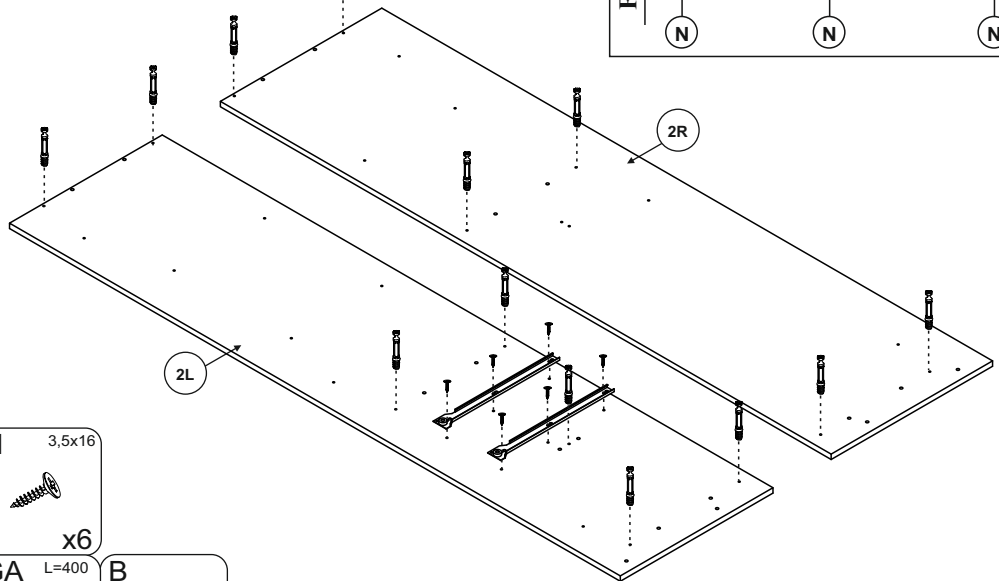
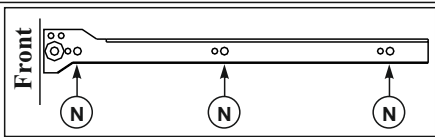
4 - 4,5

1



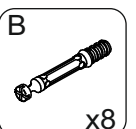
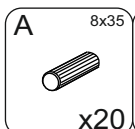
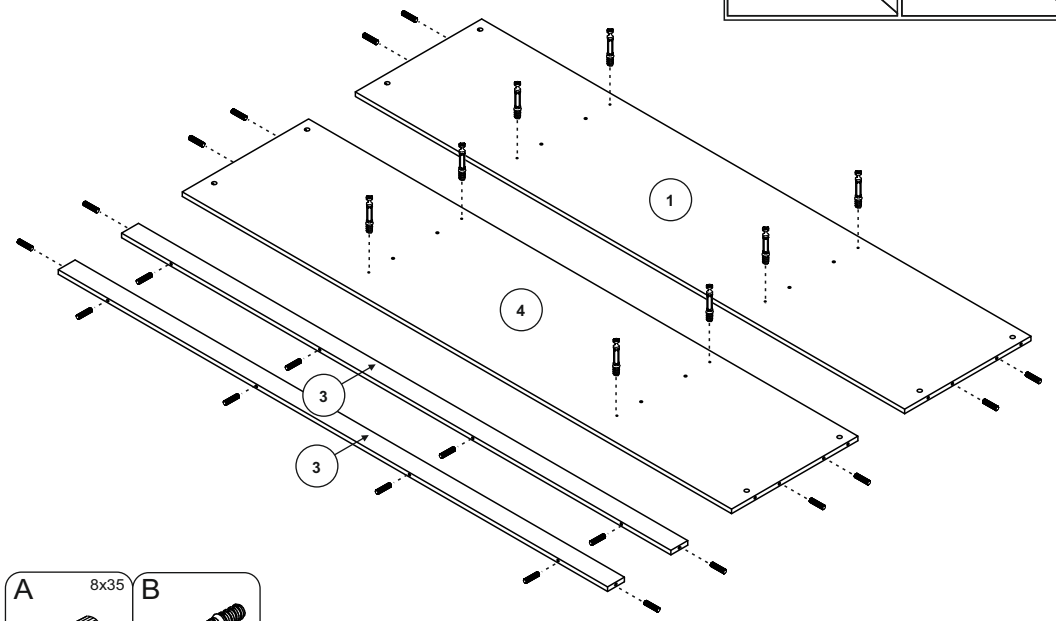
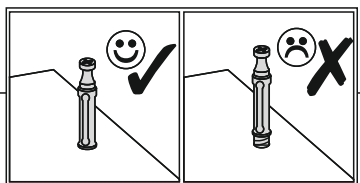
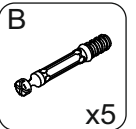
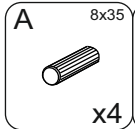
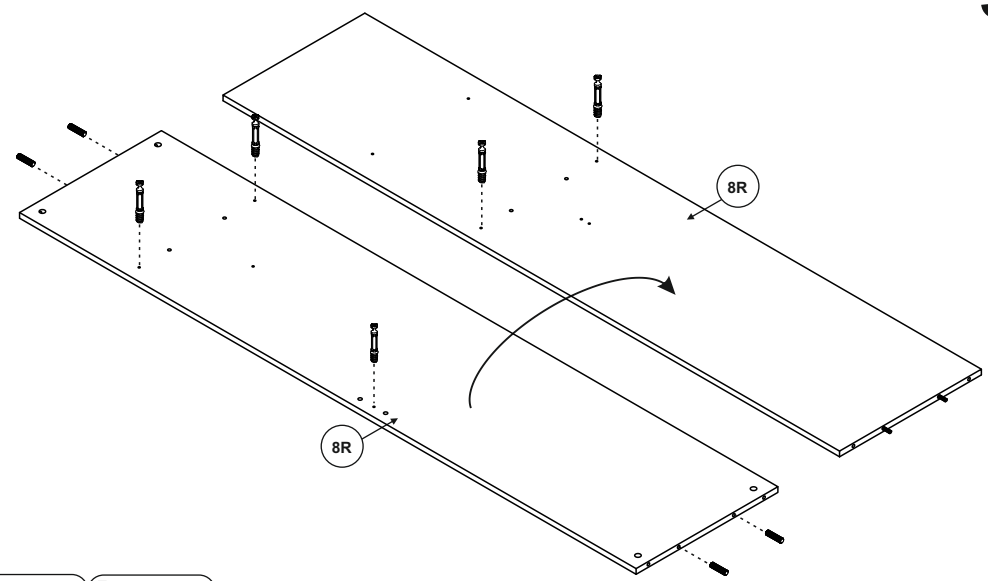
2

3

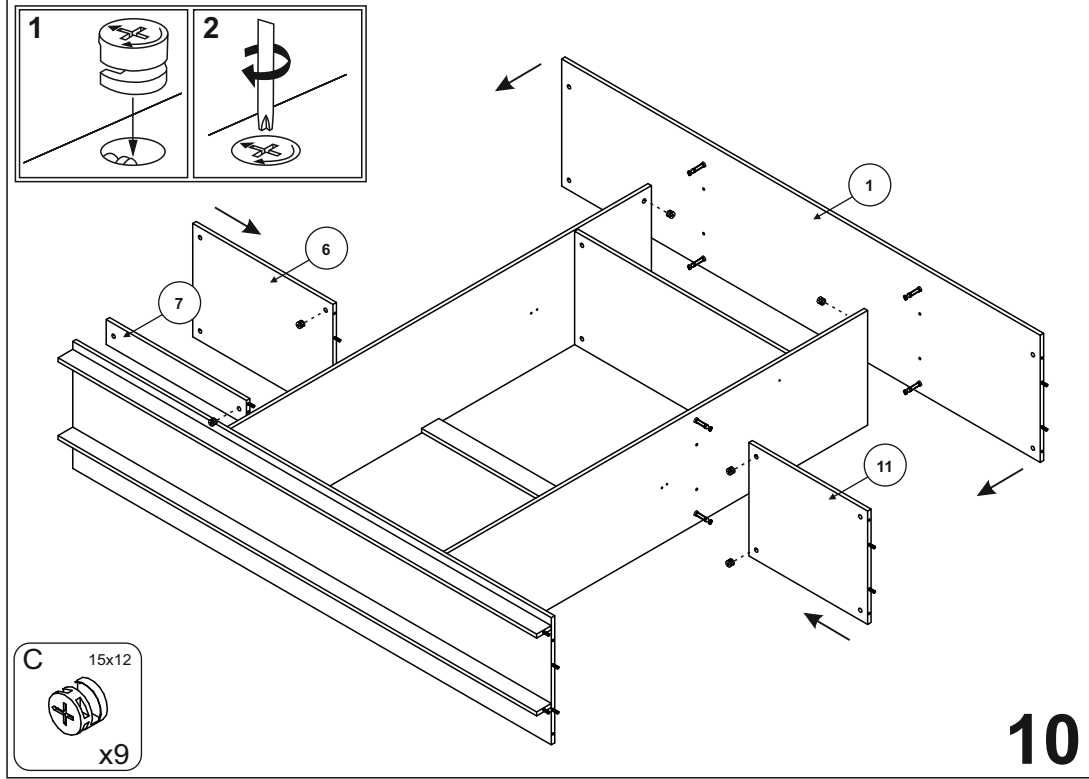
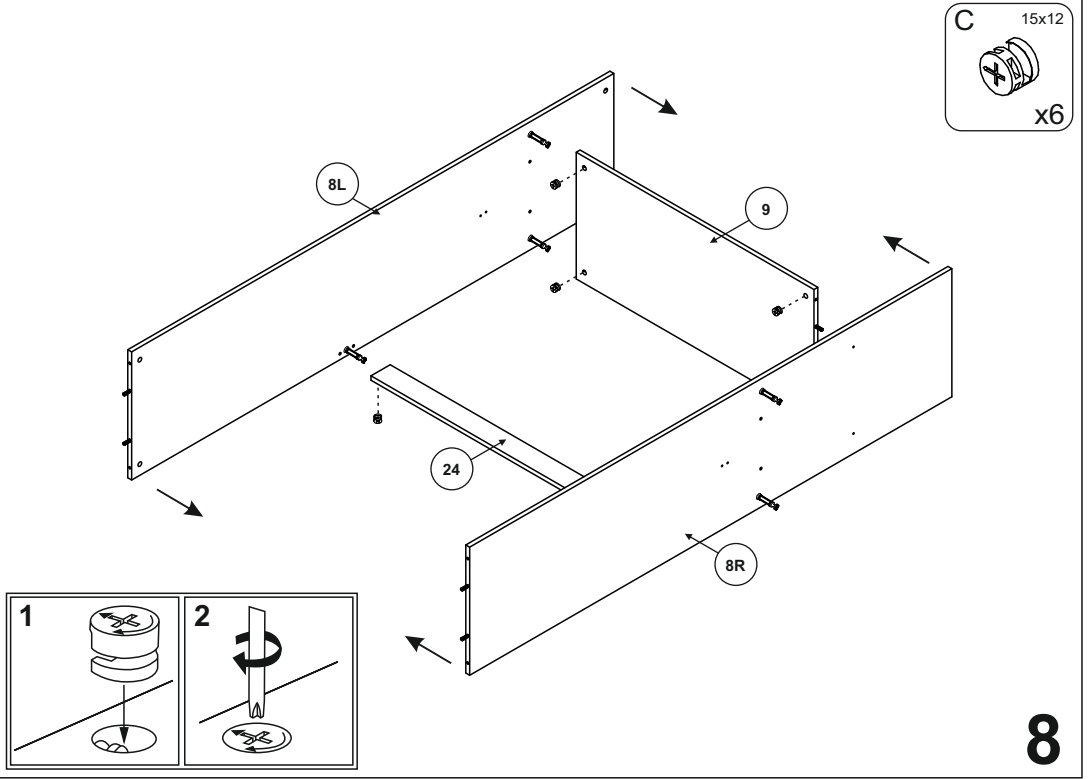
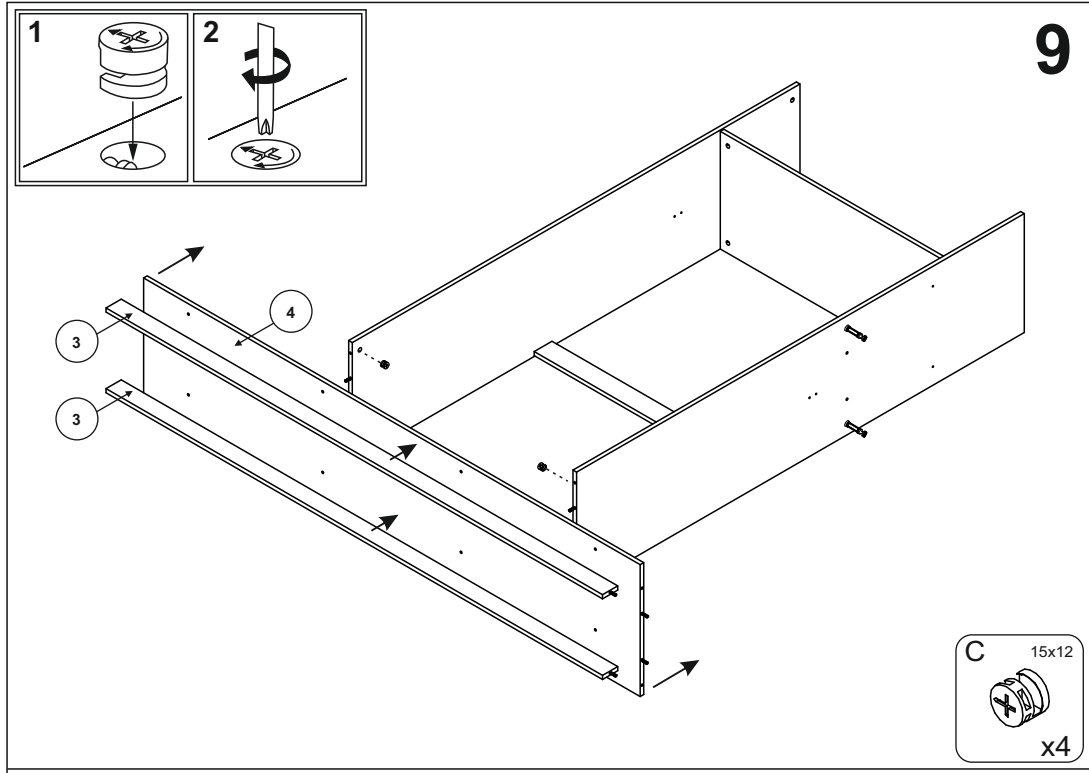
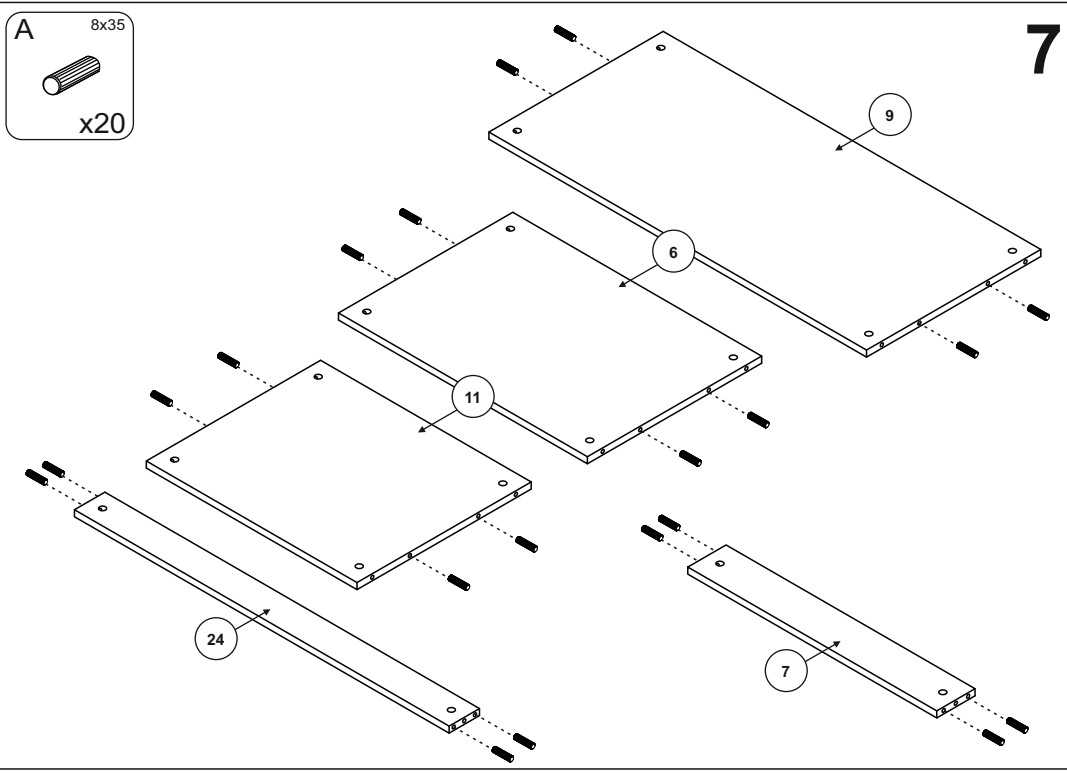


4

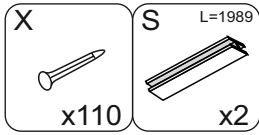
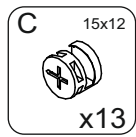
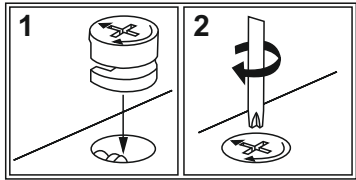
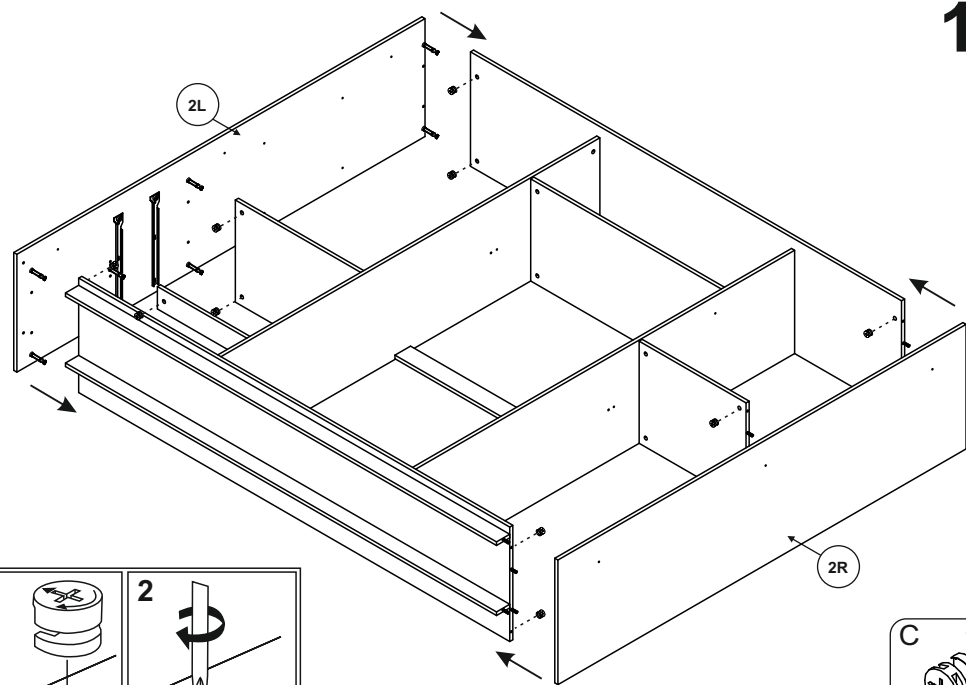
5



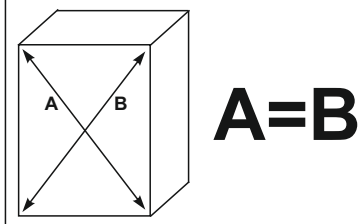
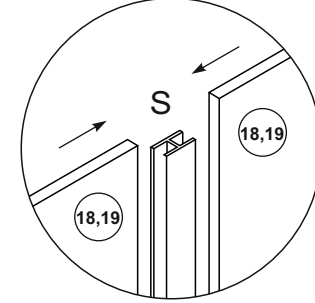
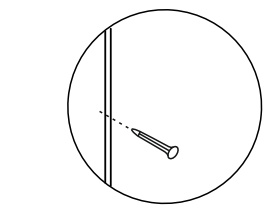
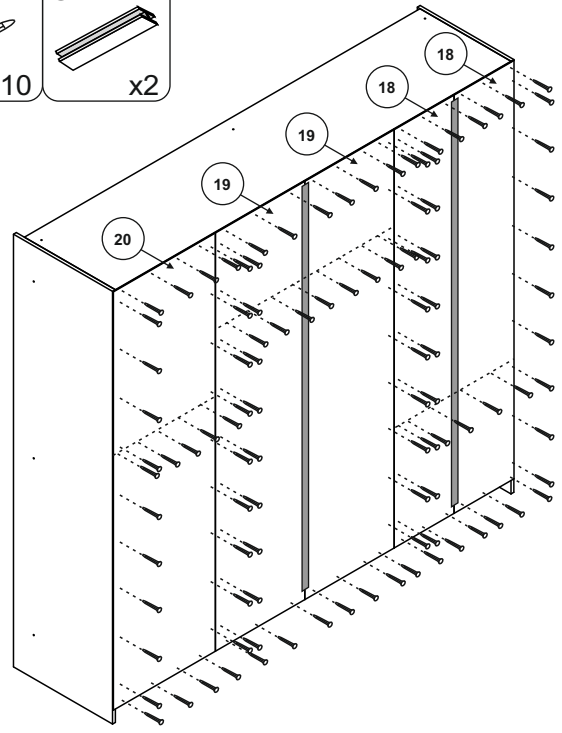
6



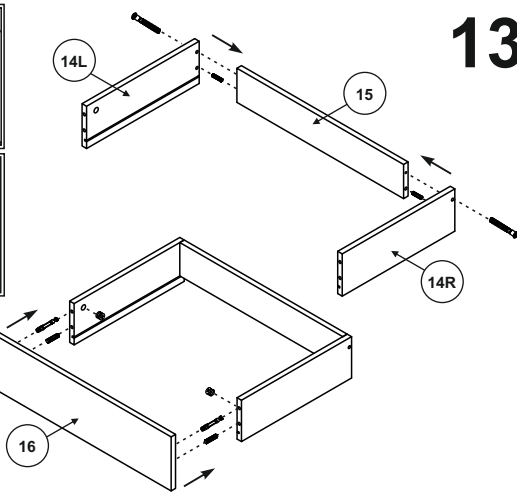
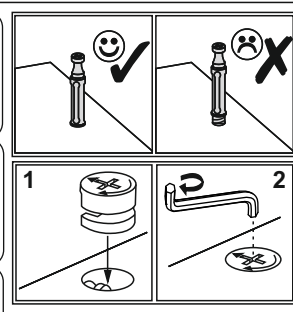
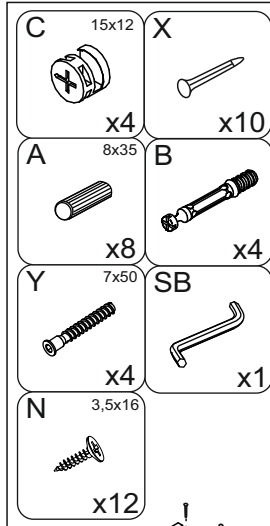
11



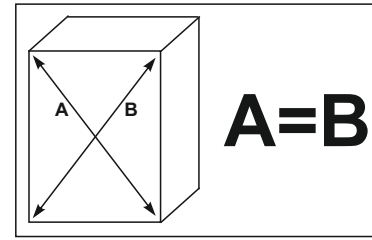
12



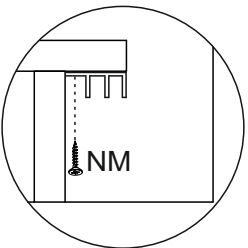
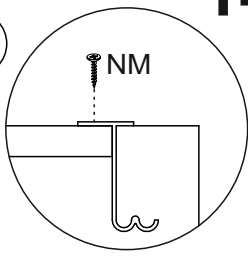
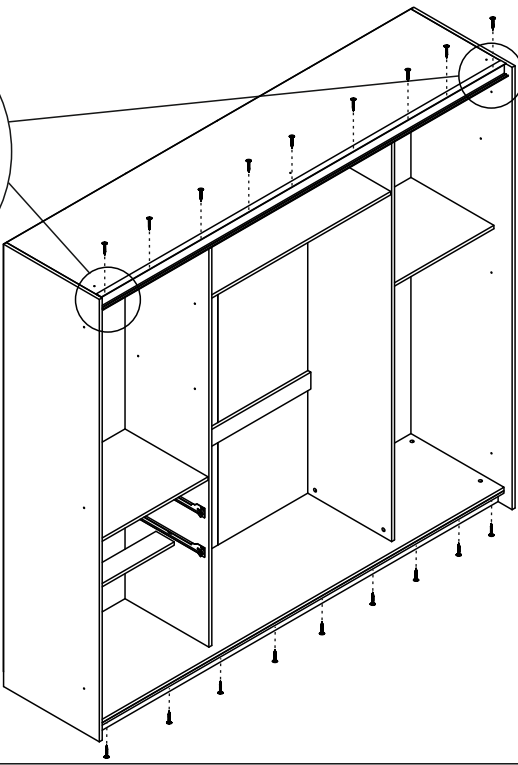
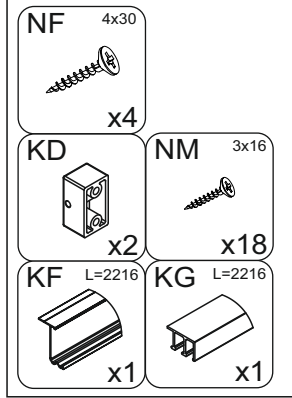
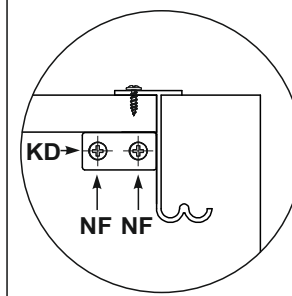
13



x2



14



# 15

KE	KF L=2216
x2	x1
NN 3,5x25	YE M4
x2	x2
	YF M4x12
	x2

# 17

KI L=2040	NK 4x12
x1	x52
KH L=2040	JD
x1	x9

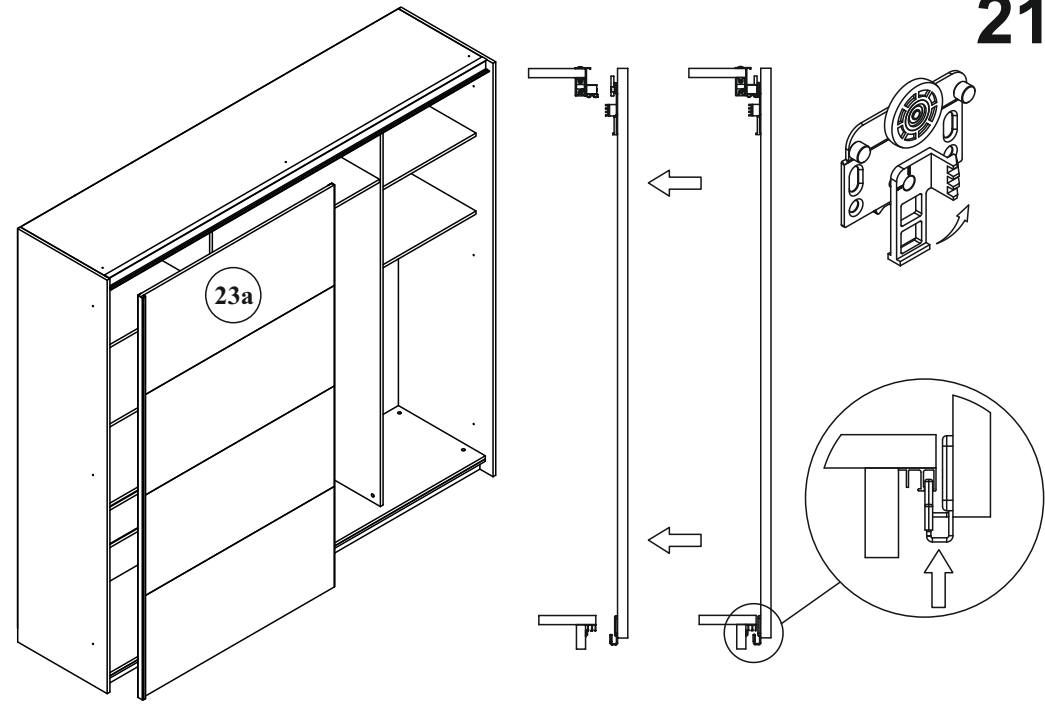
# 16

Z	ZB
x36	x12
TC	N 3,5x16
x4	x8
SC L=980	SCA L=544
x1	x1

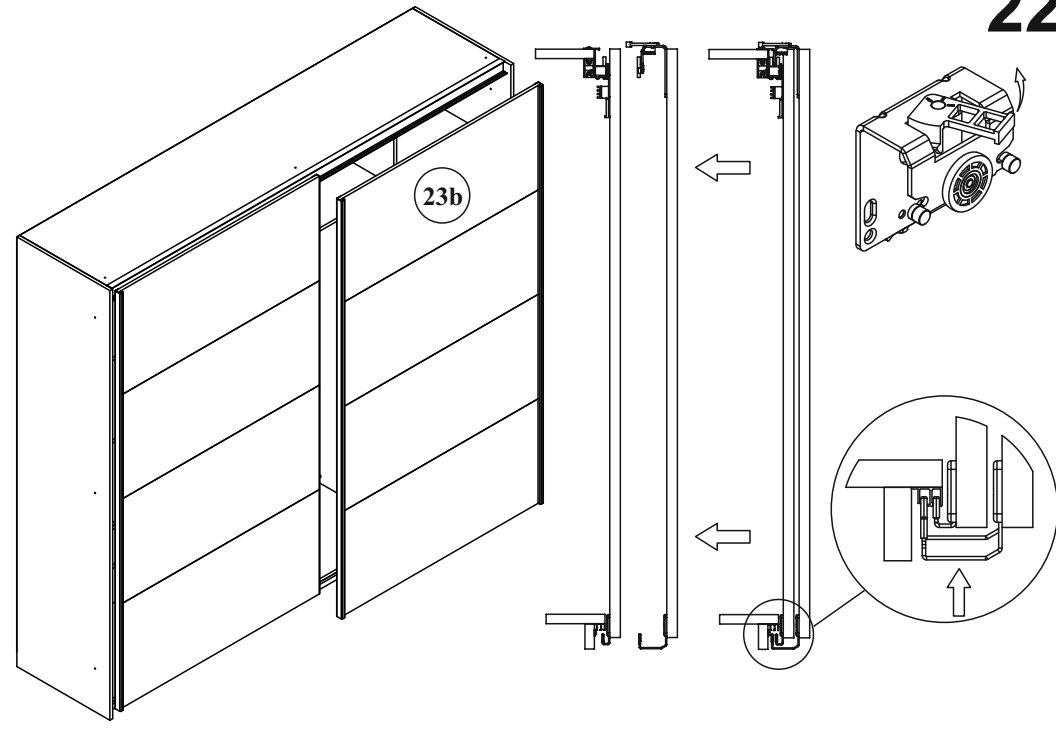
# 18

YG M4x25	ND 4x16
x2	x10
YE M4	K
x2	x2
	KB
	x2

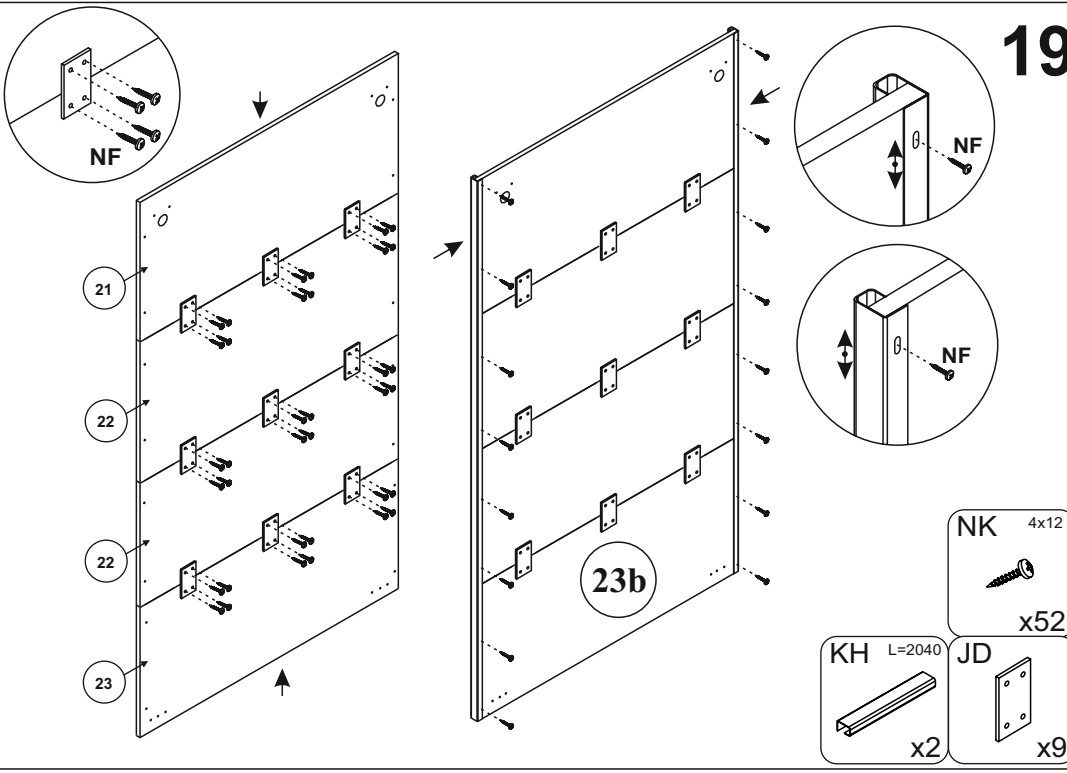
21



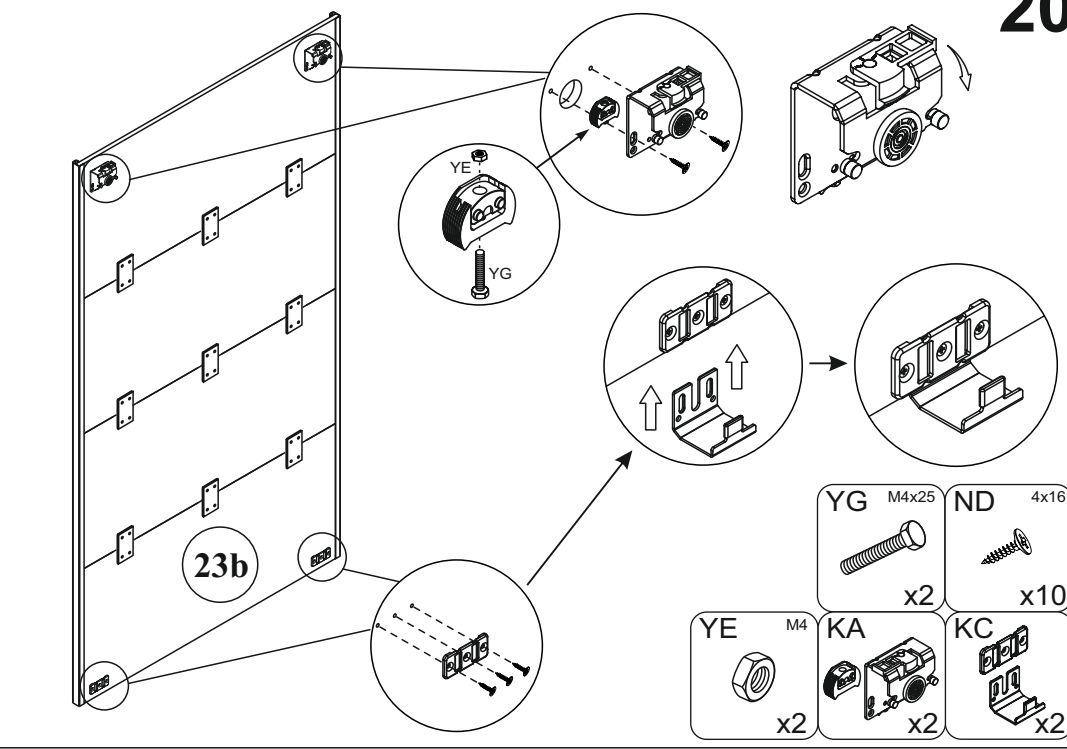
22

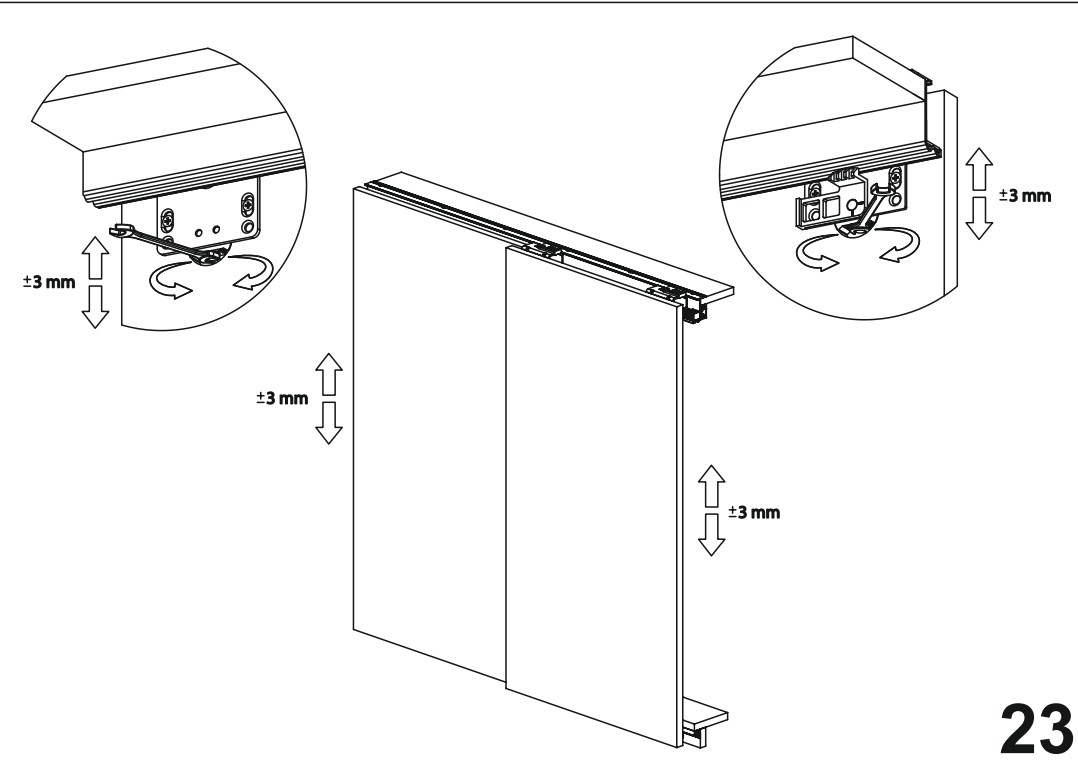


19

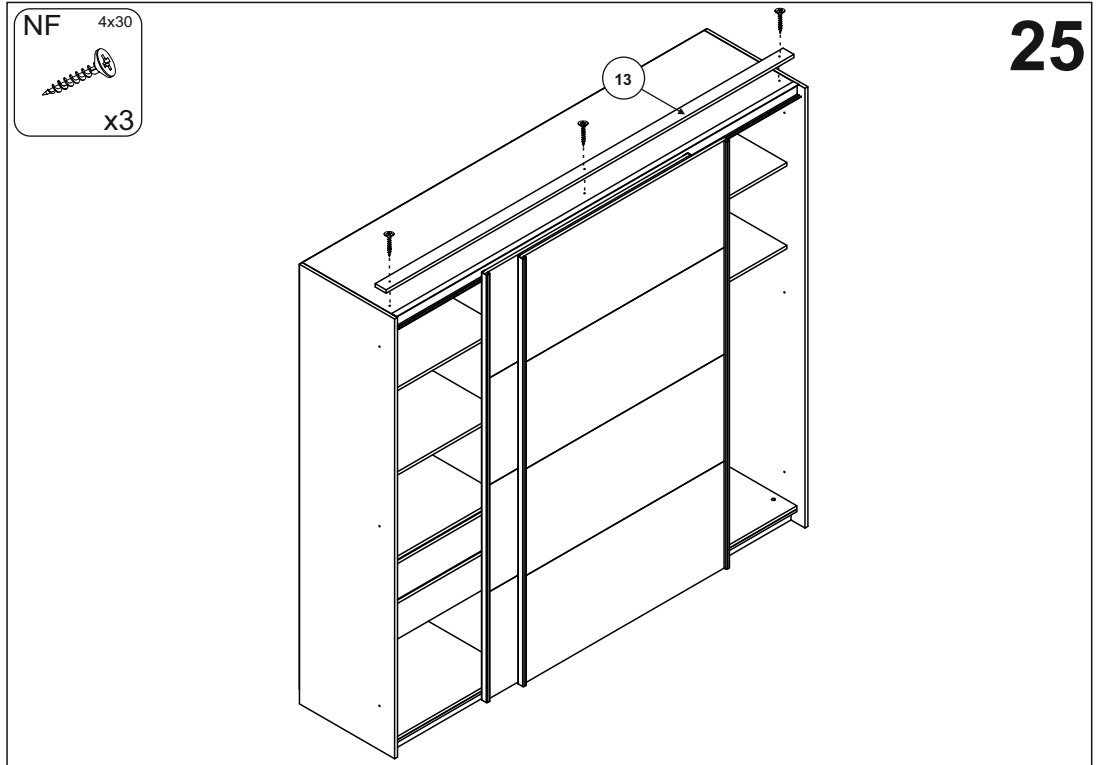


20

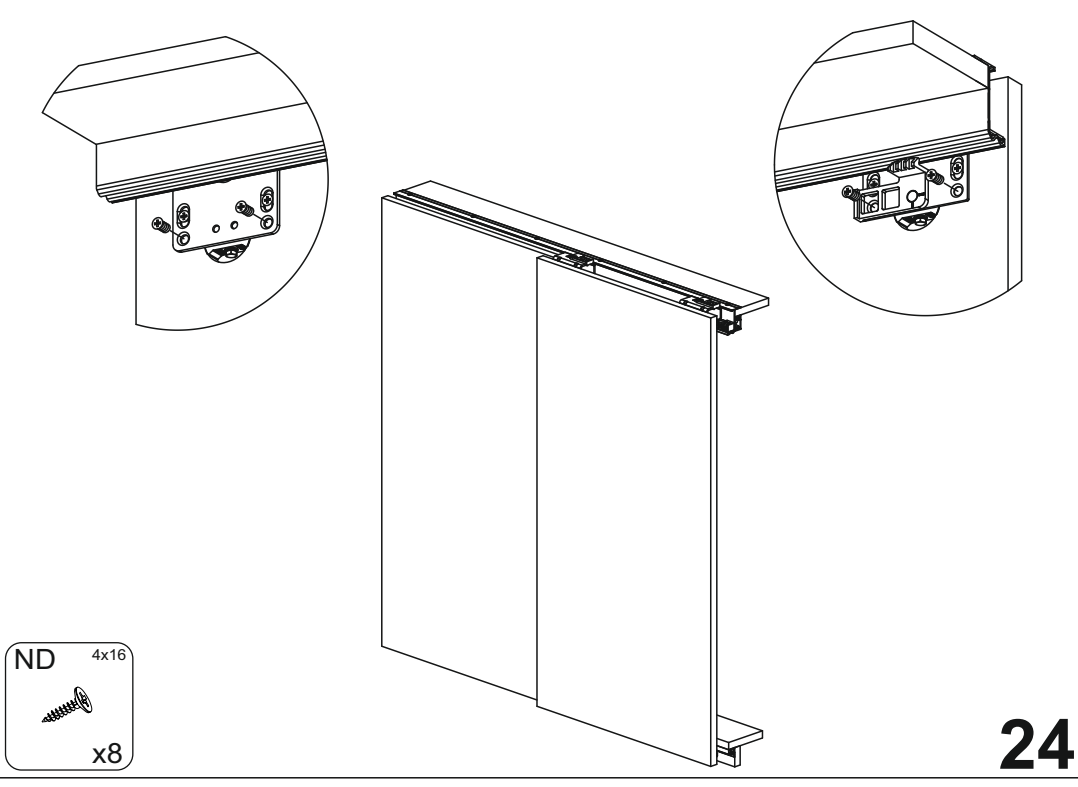




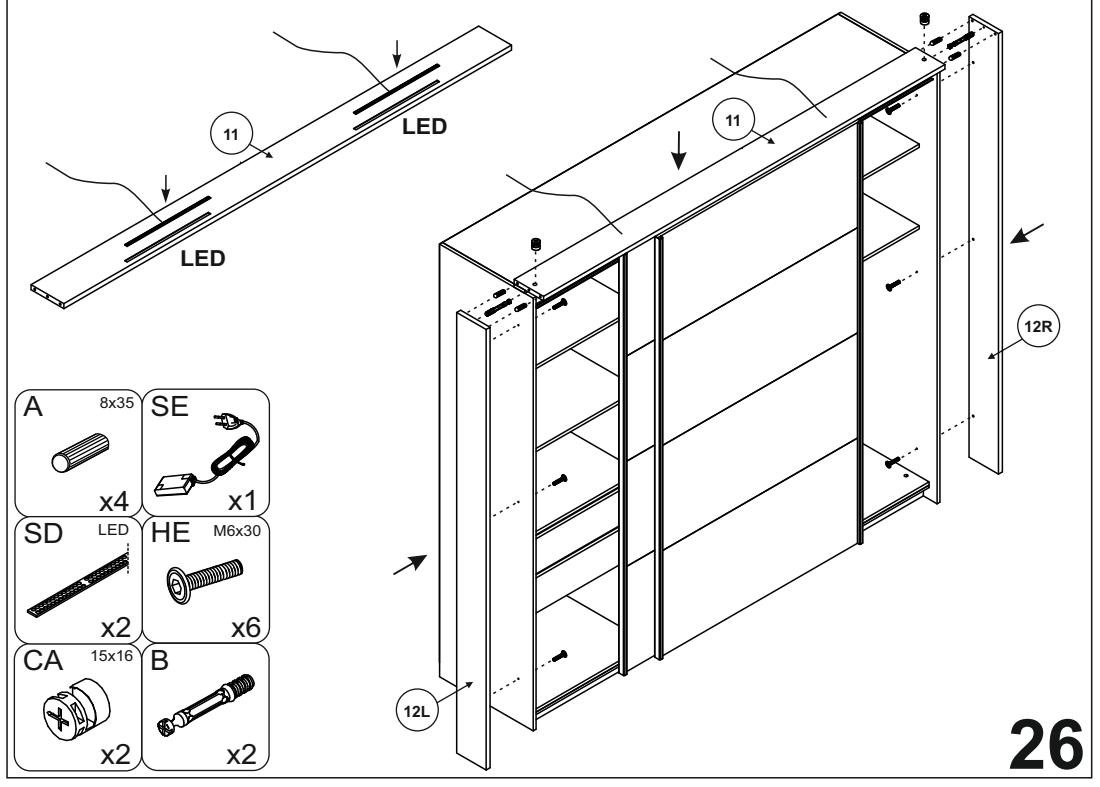
23



25



24



26