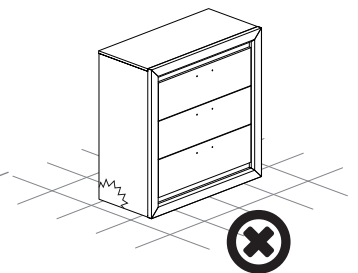
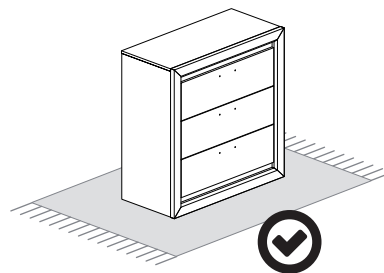
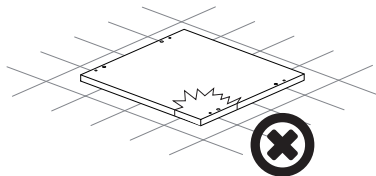
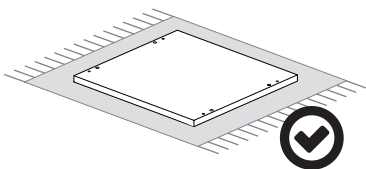
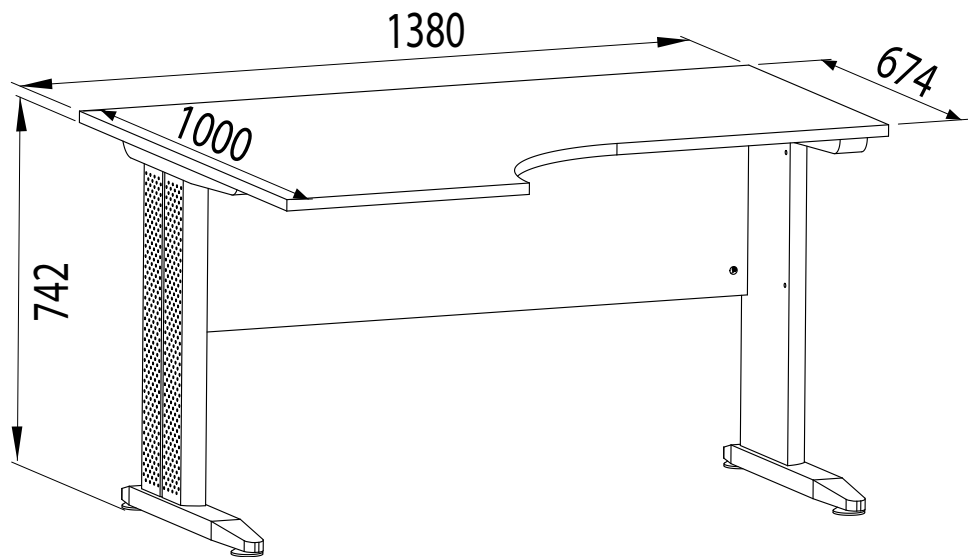
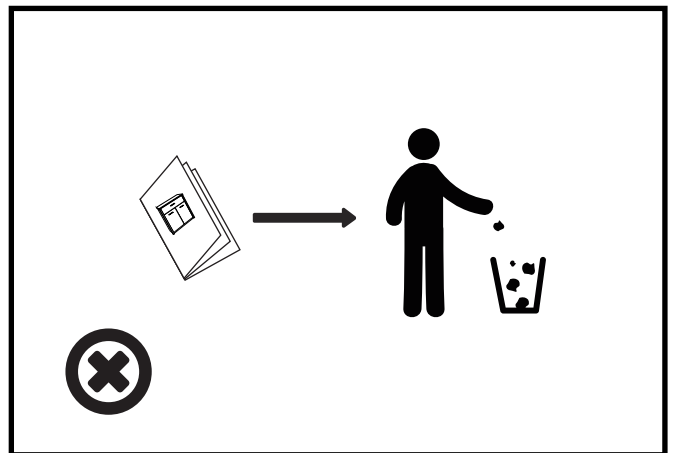
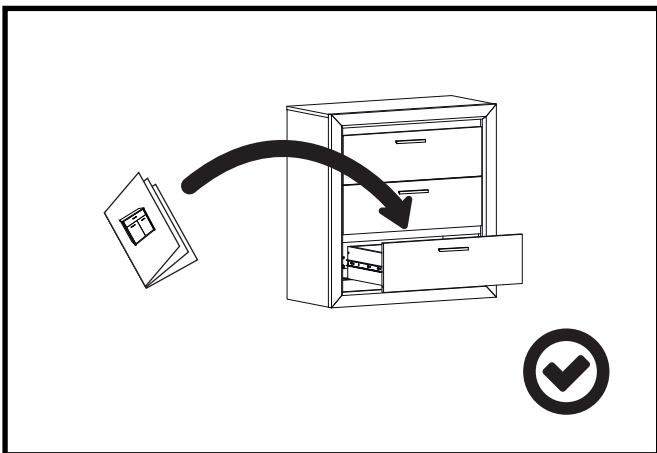
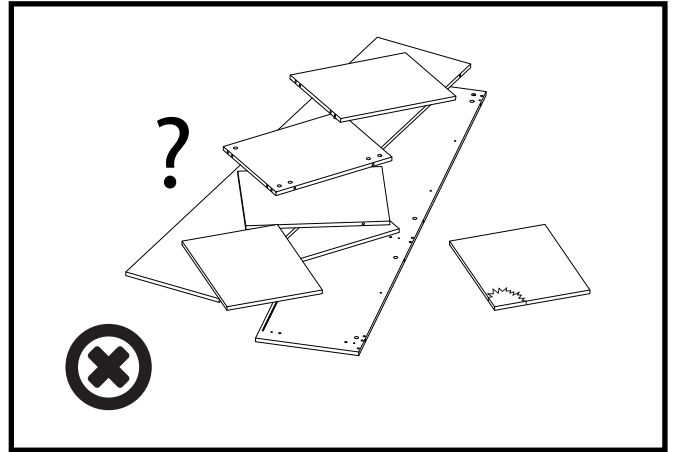
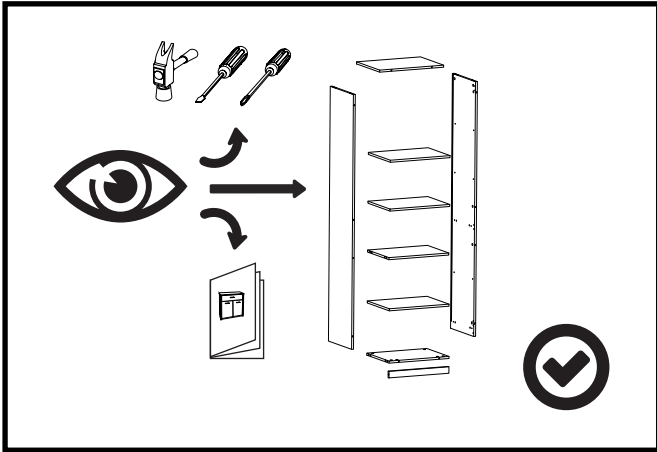
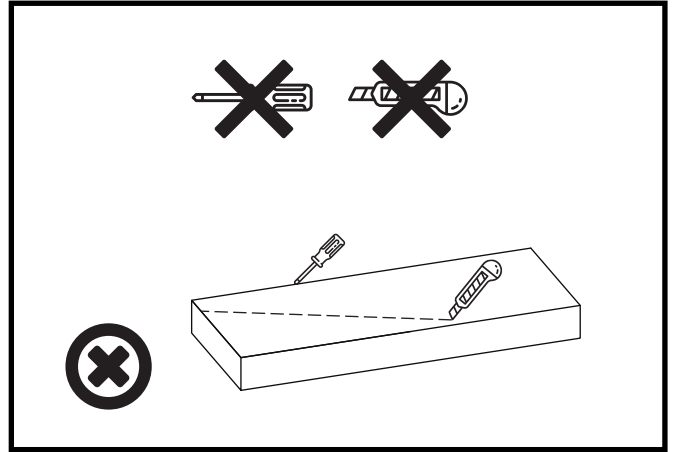
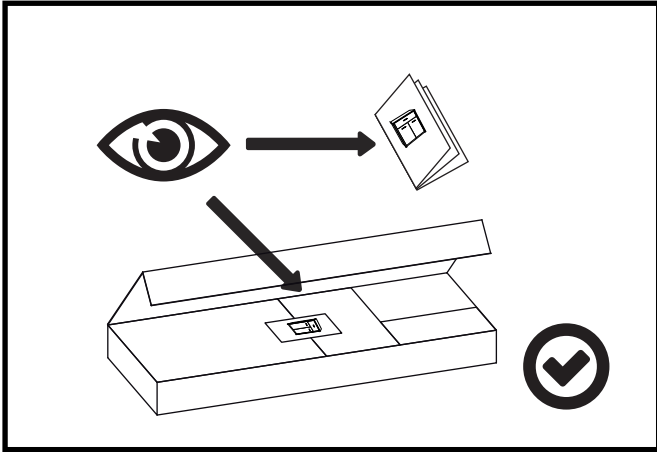
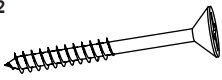
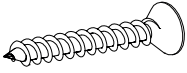


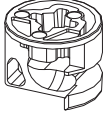



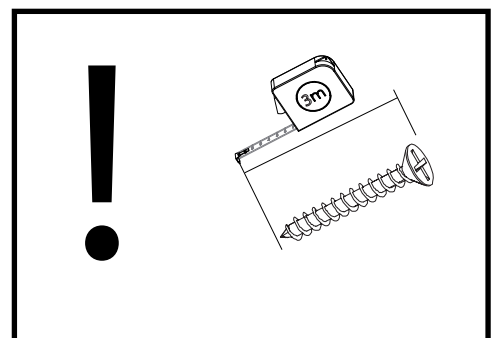
# OPTIMAL 14

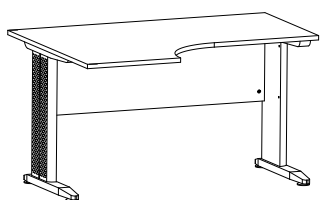







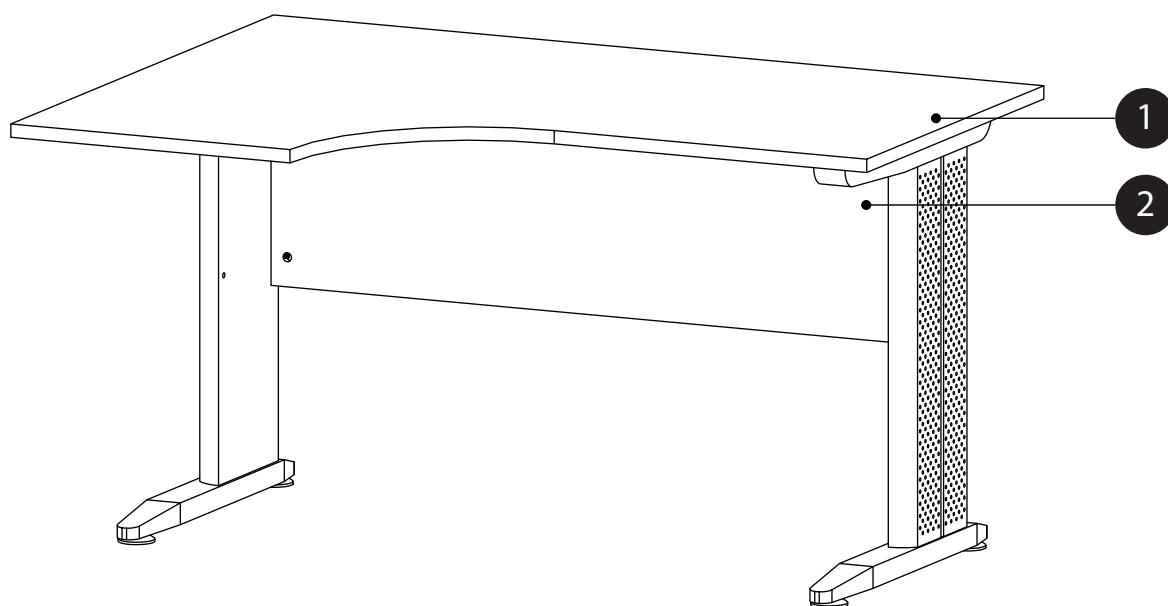
# OPTIMAL 14

<p>WT33 x 2 5x55</p> 	<p>WT32 x 2 5x40</p> 	<p>ZS2 x 4</p> 
<p>ZM6 x 4</p> 	<p>B2 x 4</p> 	<p>x 1</p> 

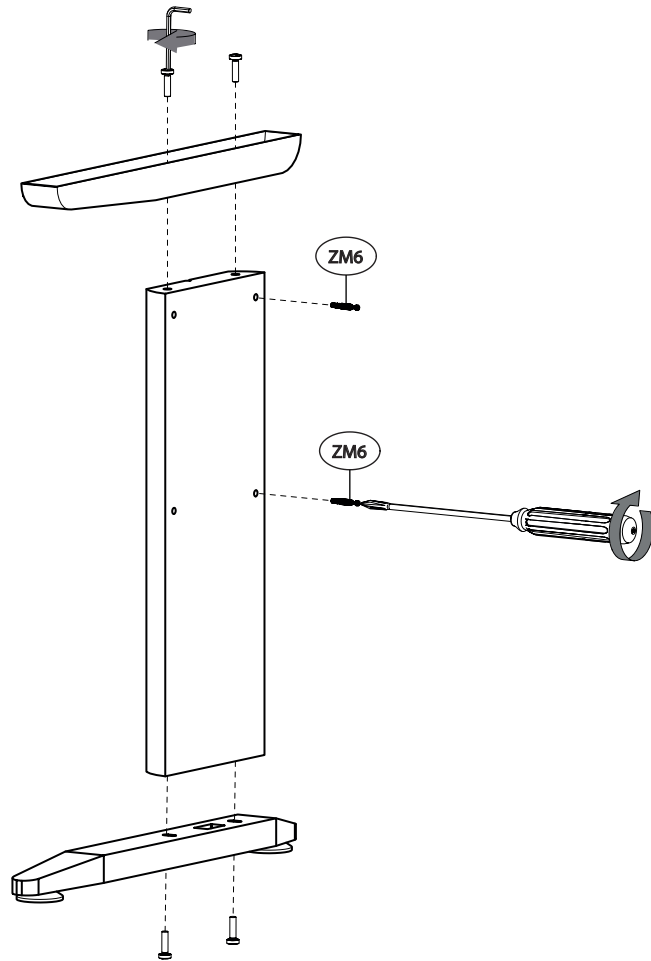




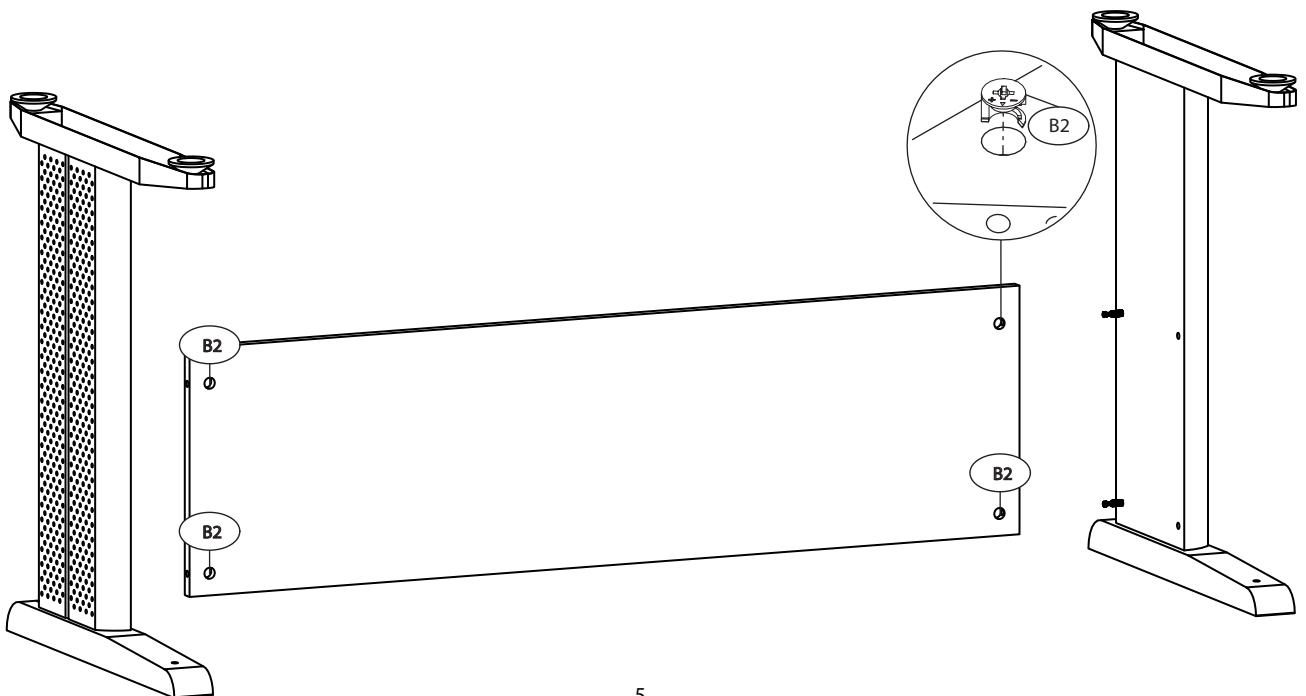
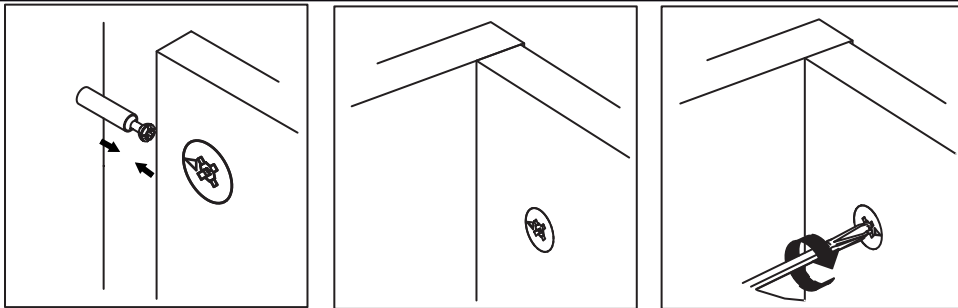
	CODE			
①	OPTIMAL14_01	1380	1000	1
②	OPTIMAL14_02	1200	334	1
③				
④				
⑤				
⑥				



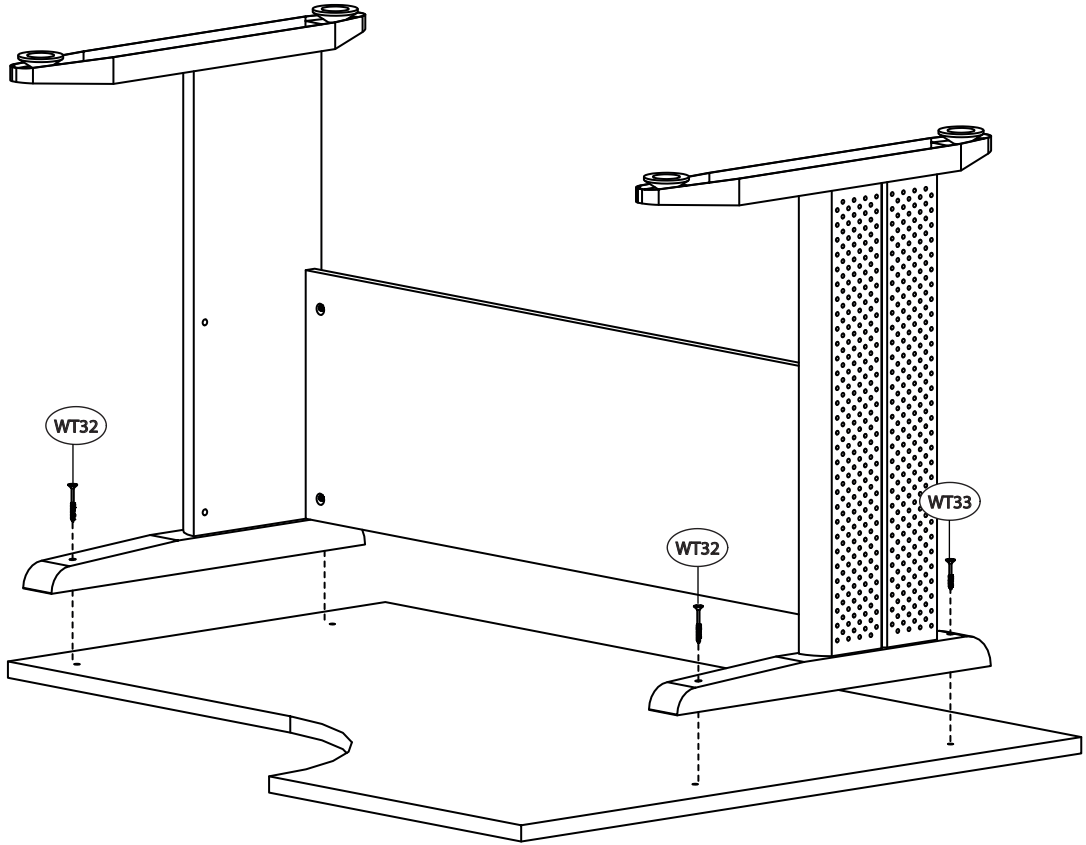
**A ▶**



**B ▶**



C ▶



D ▶

