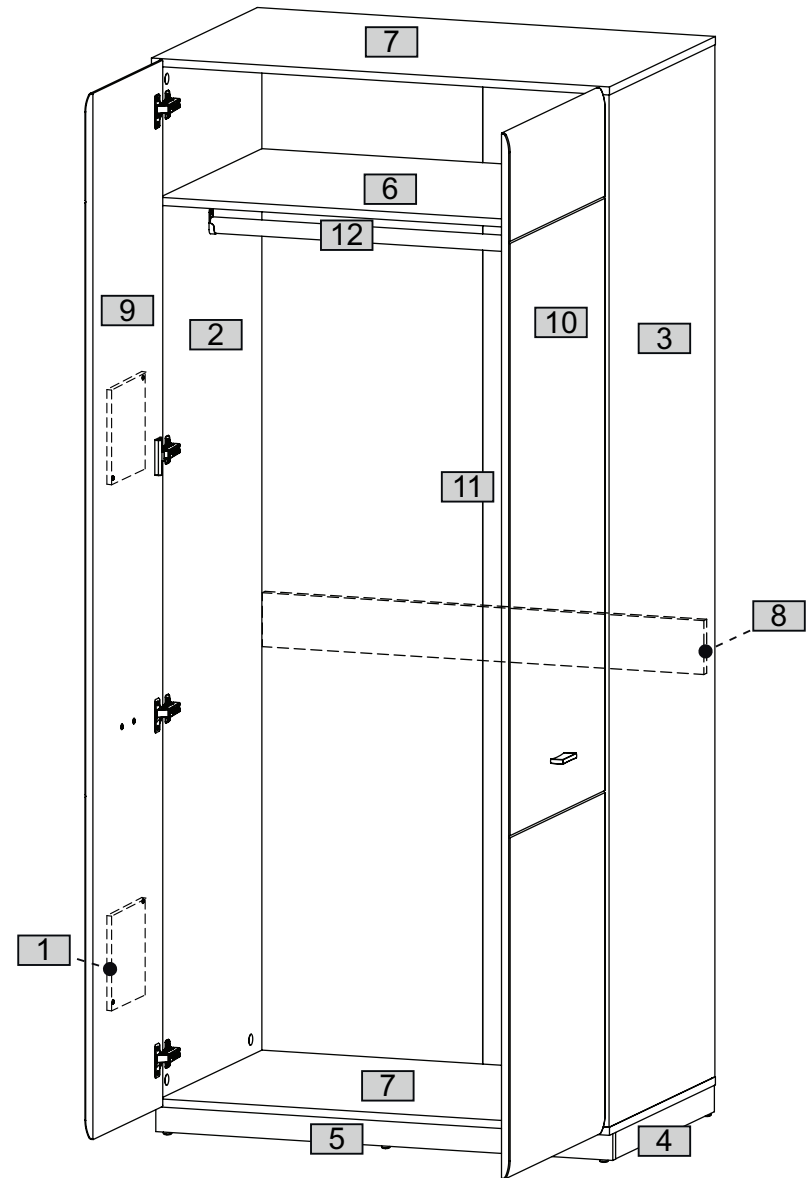





Nr	Ausmaß			St	Colli
1	200	200	10	2	1
2	1914	565	15	1	1
3	1914	565	15	1	1
4	530	50	15	3	1
5	888	50	15	1	1
6	858	544	15	1	1
7	890	565	15	2	1
8	858	100	15	1	2
9	1940	373	16	1	2
10	1940	510	16	1	2
11	1928	436	2	2	2
12	853			1	1

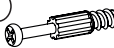



1

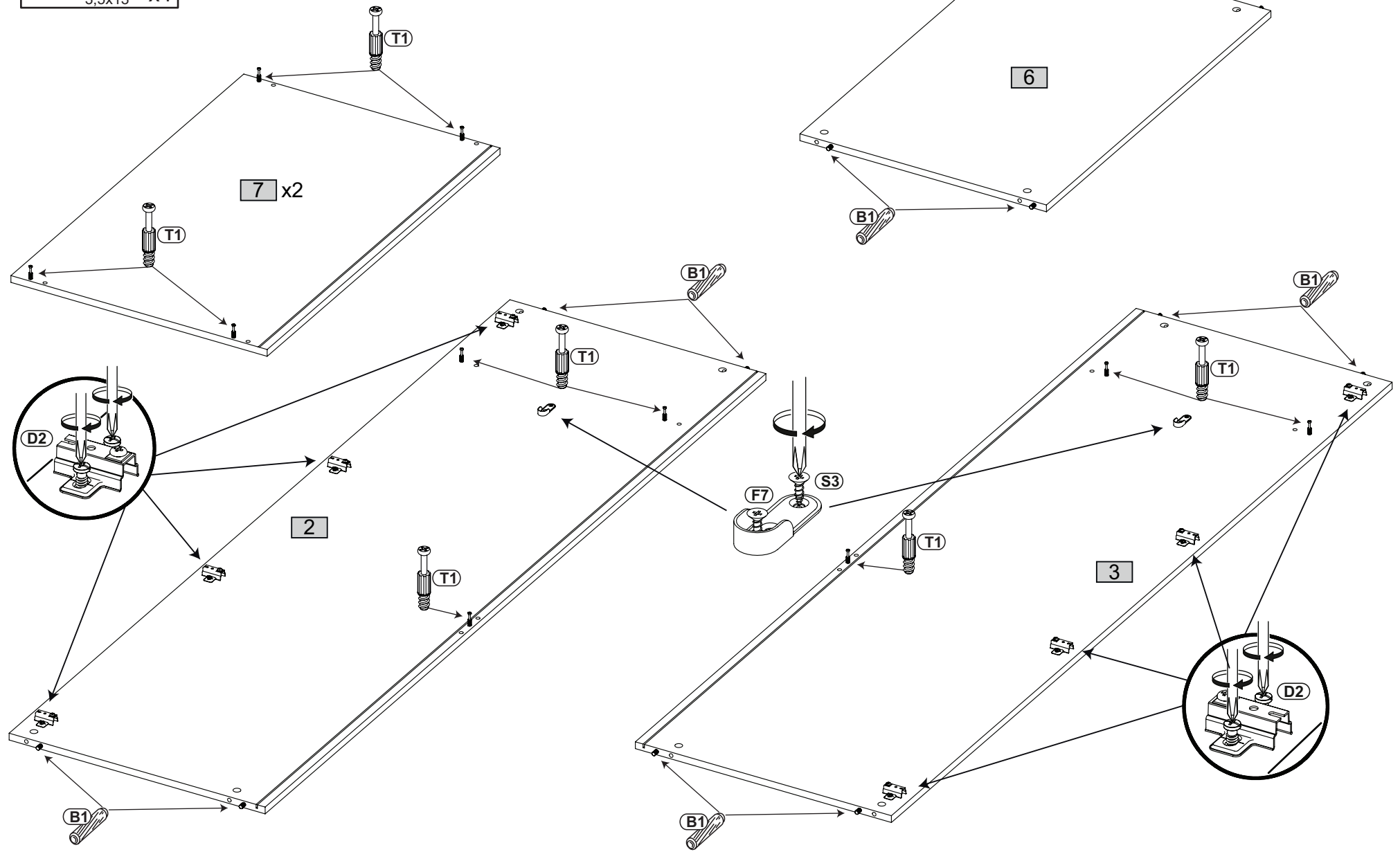
<b>F7</b>		x2
<b>S3</b>		x4

3,5x13

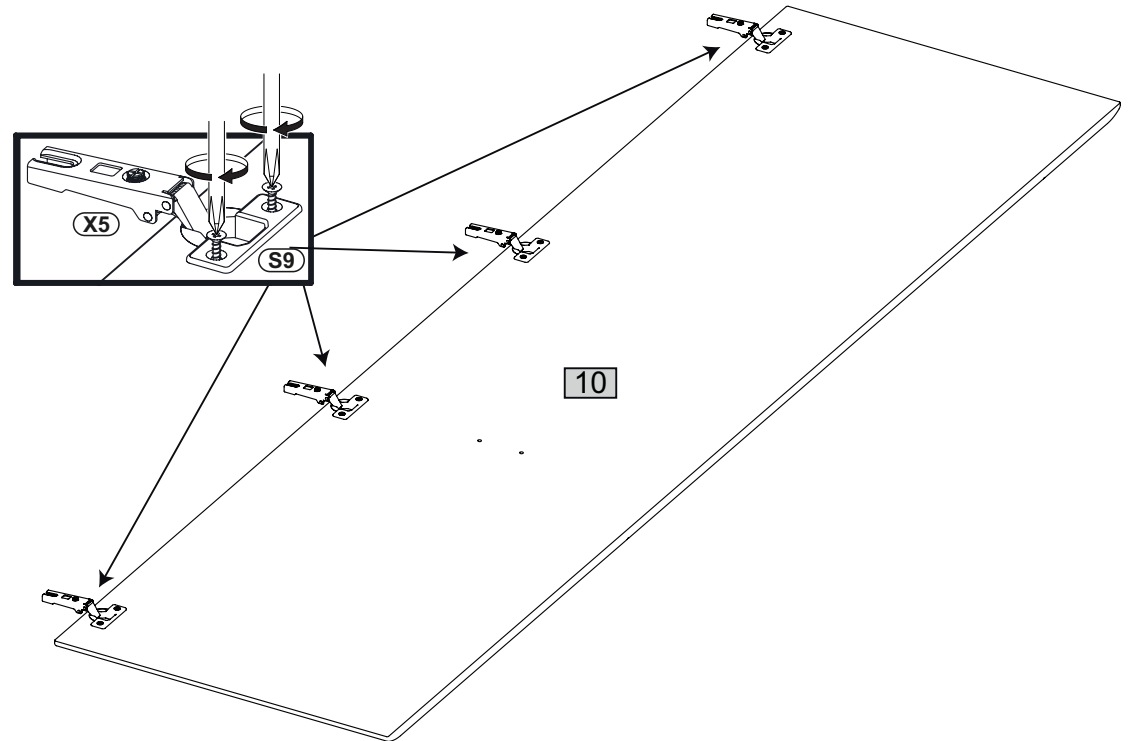
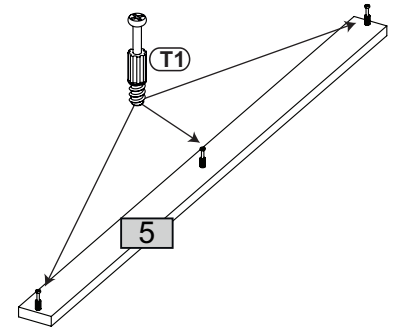
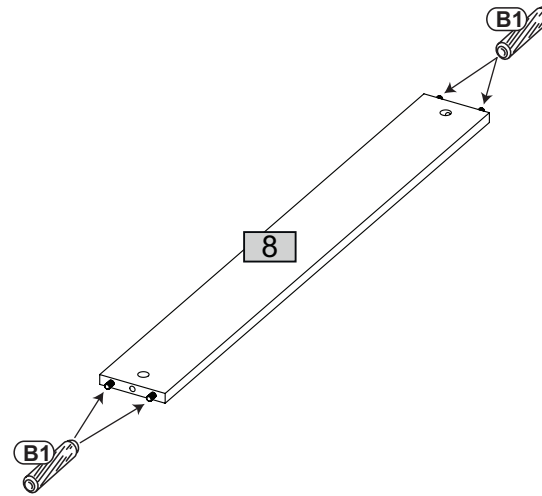
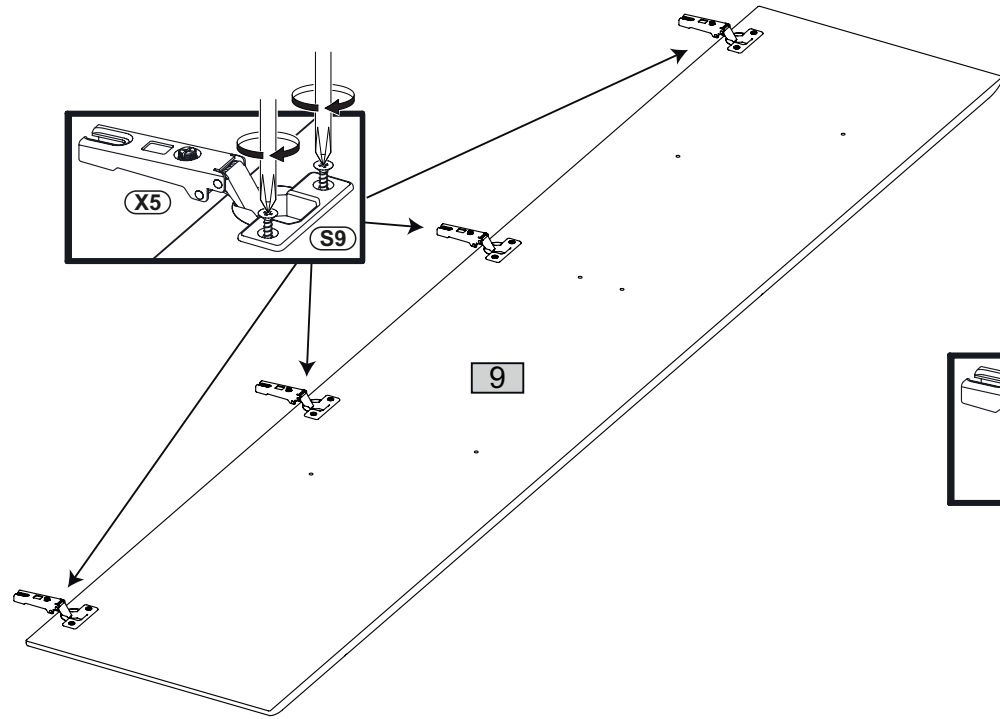
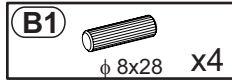
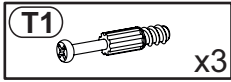
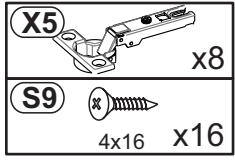
<b>B1</b>		φ 8x28 x12
-----------	---	------------

<b>T1</b>		x14
-----------	---	-----

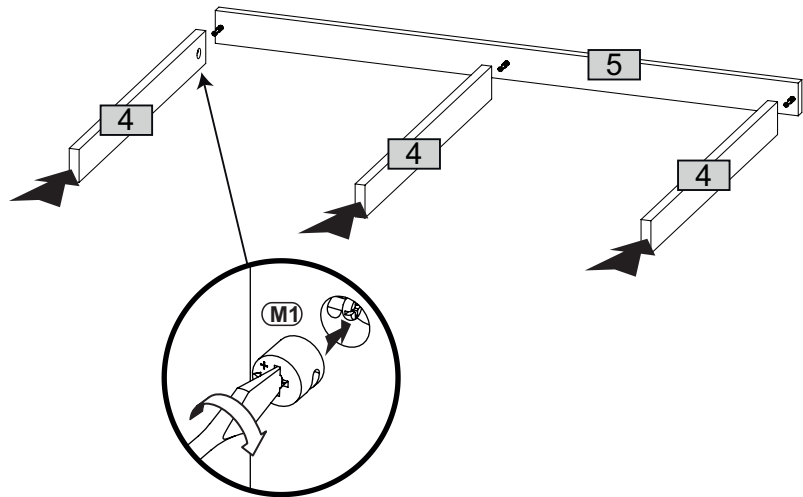
<b>D2</b>		x8
-----------	---	----



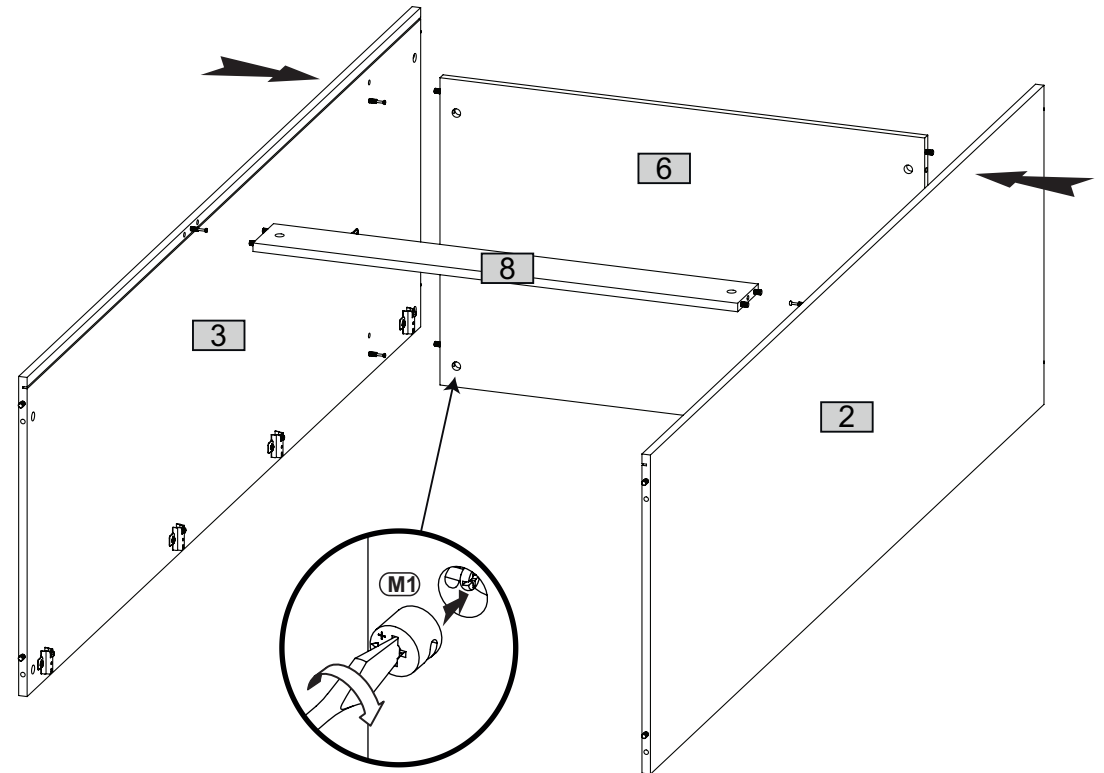
2



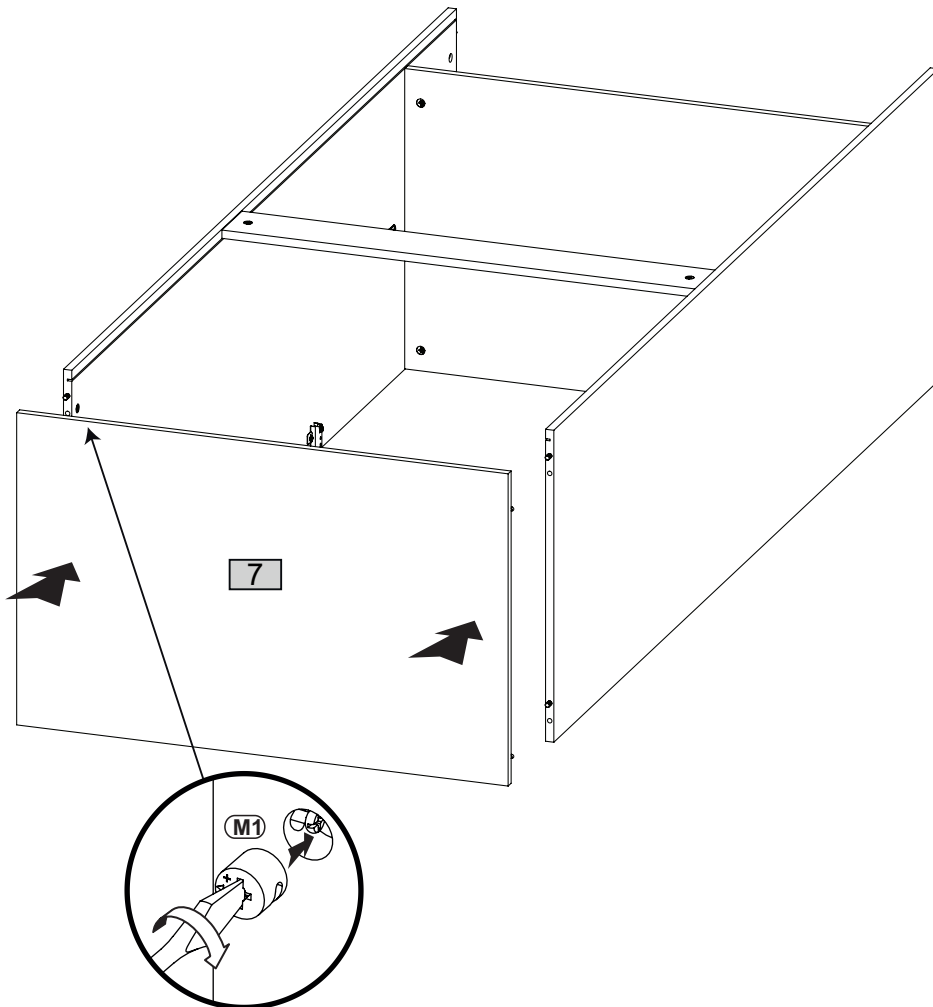
3



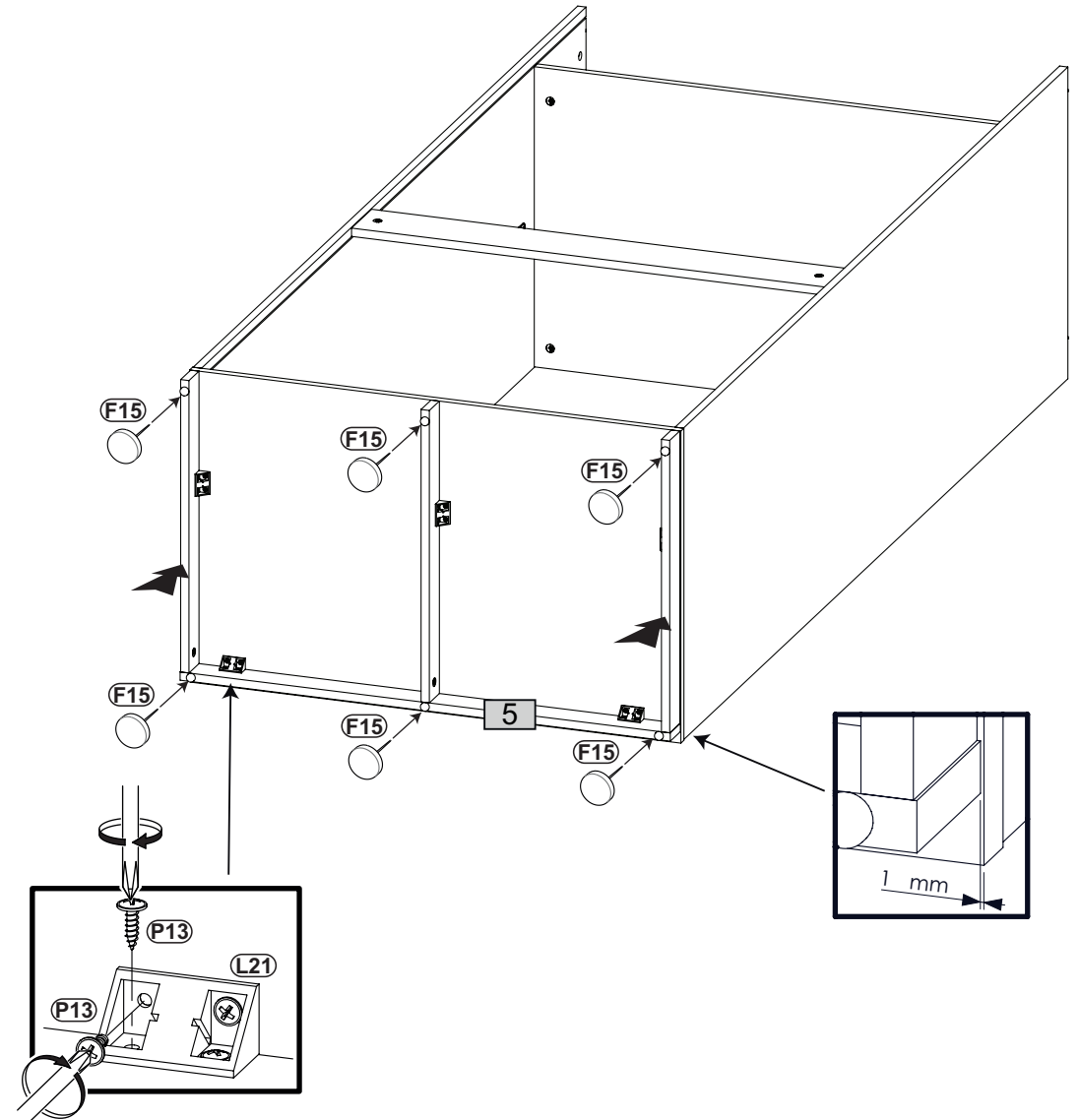
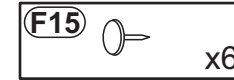
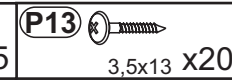
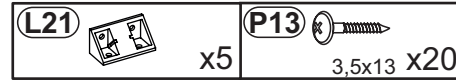
4



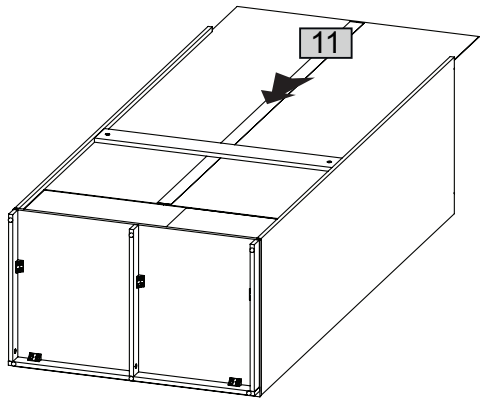
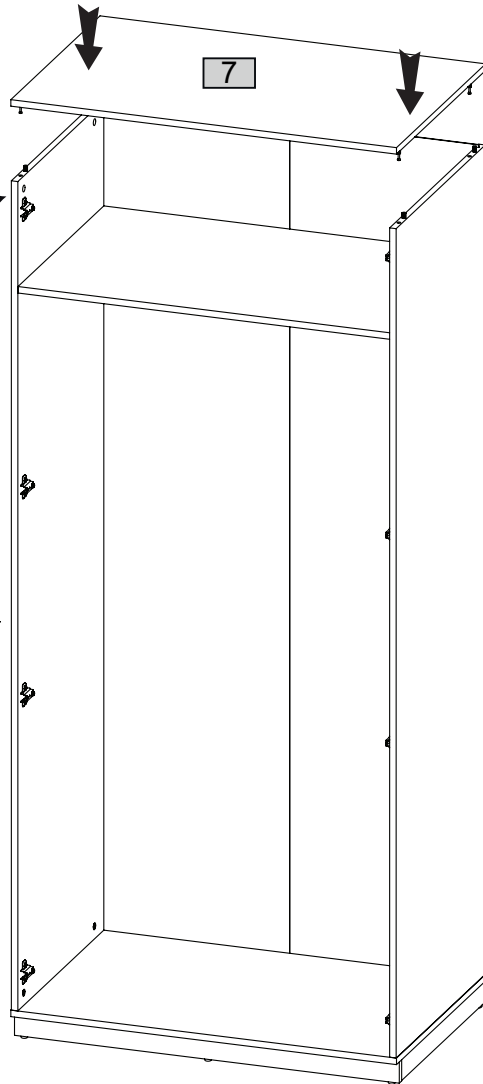
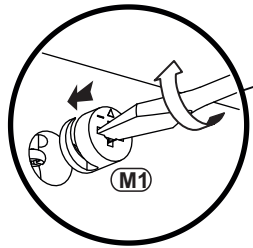
5



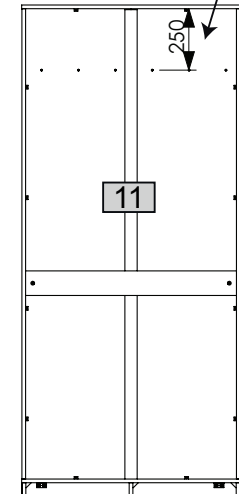
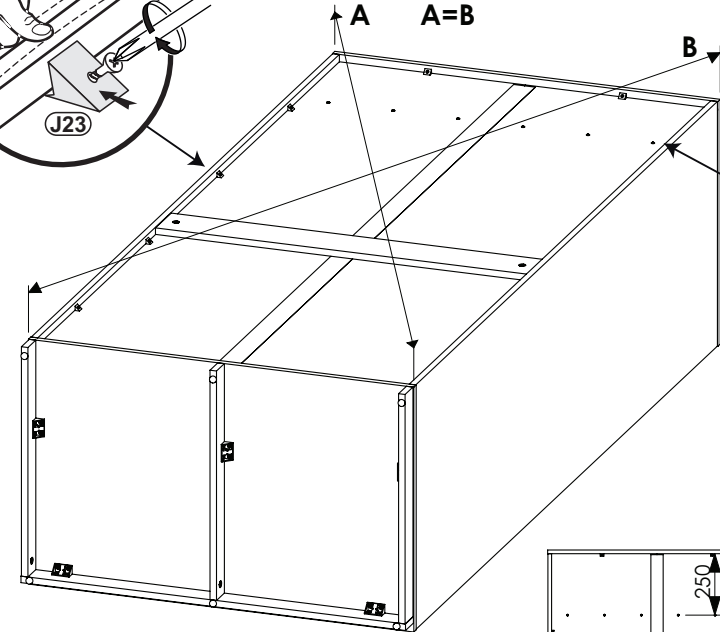
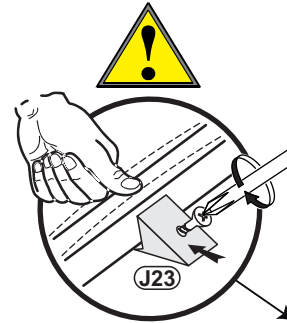
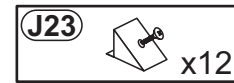
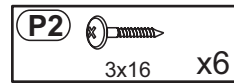
6



7



8



9

