
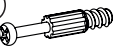























- B1**  ϕ 8x28 x16
- T1**  x20
- M1**  x20
- C2**  ϕ 20 x16
- C2**  ϕ 20 x8
- W1**  x3
- W4**  x1
- S2**  3x13 x1
- F1**  x6
- P2**  3x16 x6
- P20**  3,5x20 x4
- J23**  x10
- F15**  x8
- C8**  ϕ 60 x1

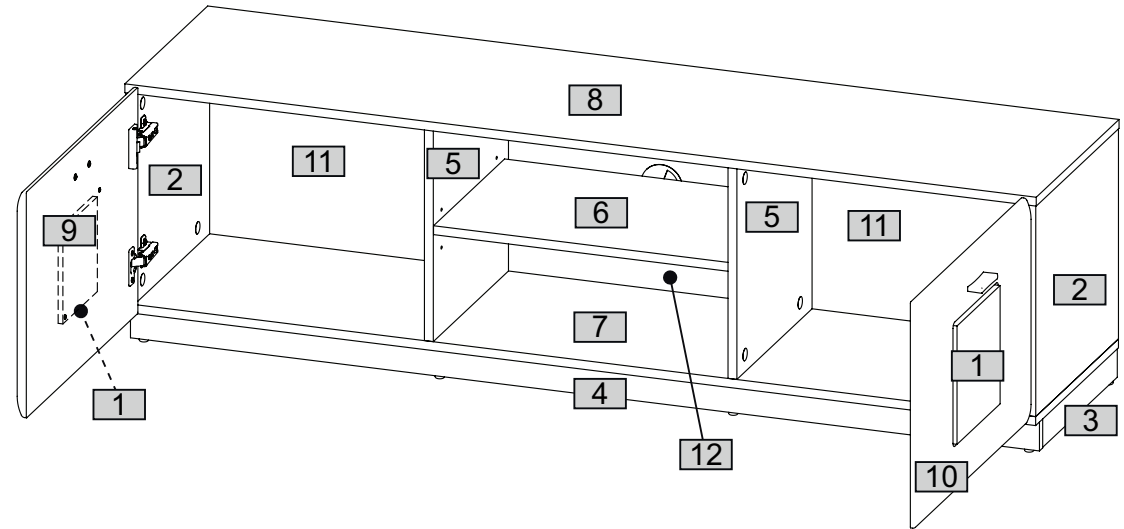
- X5**  x4
- S9**  4x16 x8
- X19**  x2
- D2**  x4

- U39**  x2
- A14**  M4x22 x4

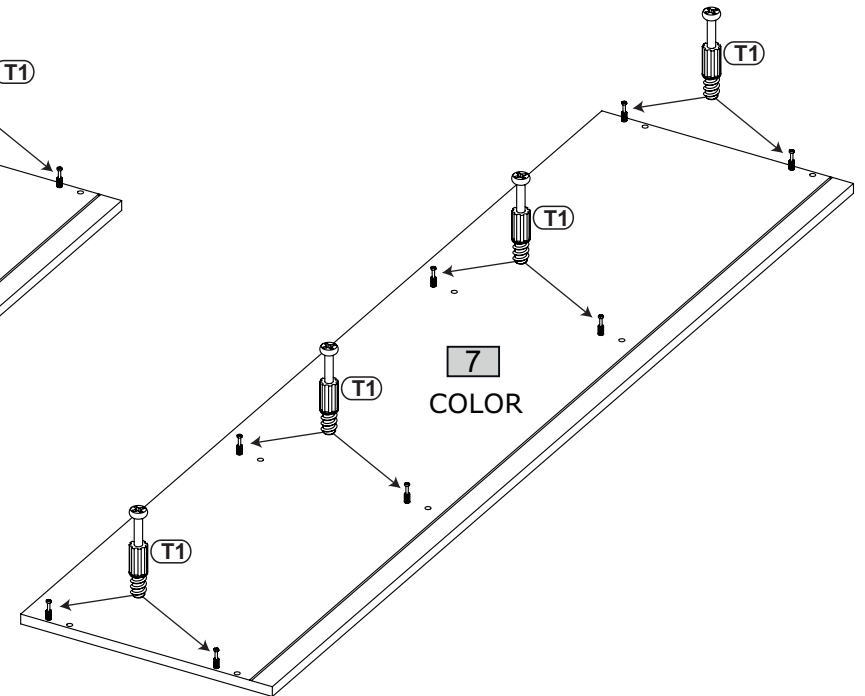
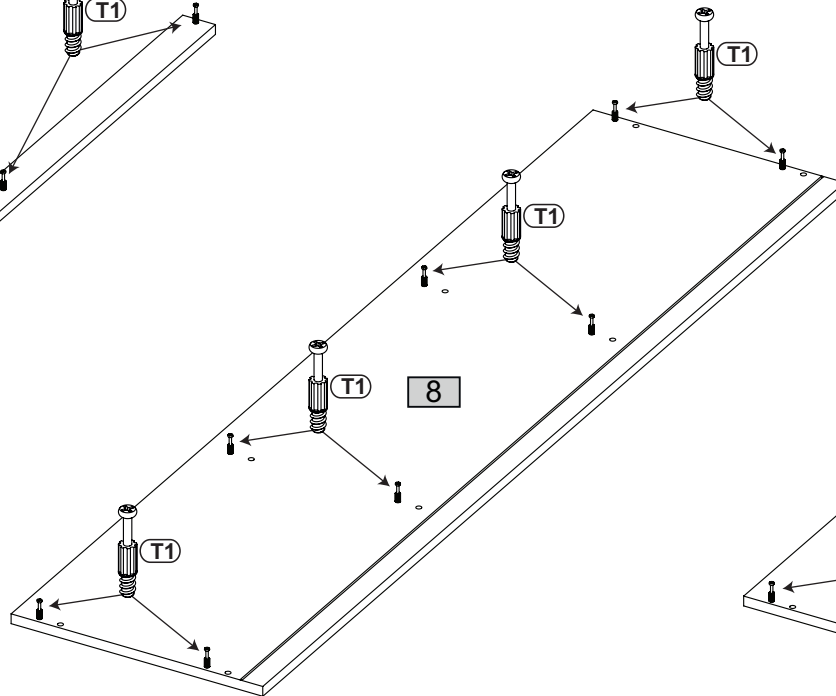
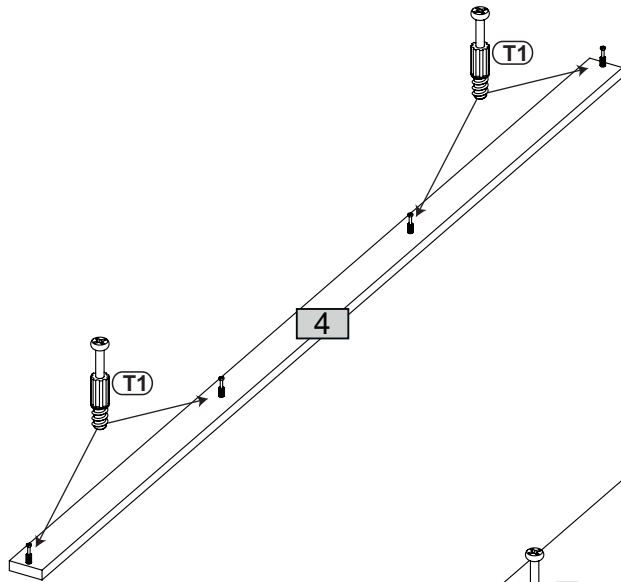
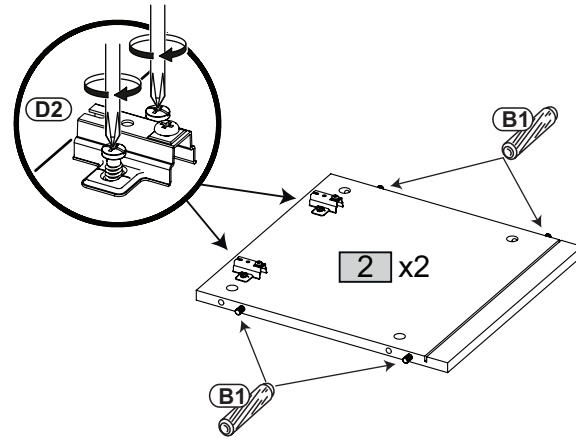
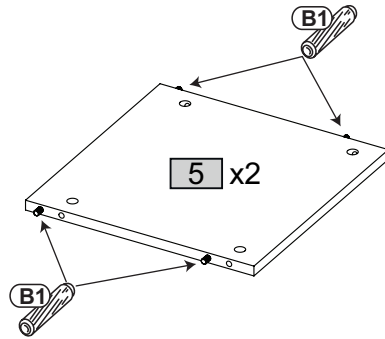
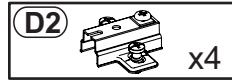
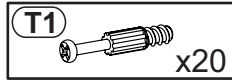
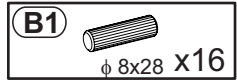
- L21**  x7
- P13**  3,5x13 x30
- J11**  x1



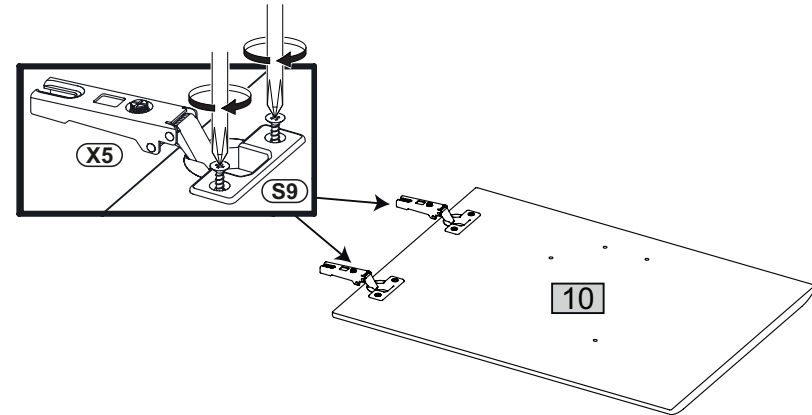
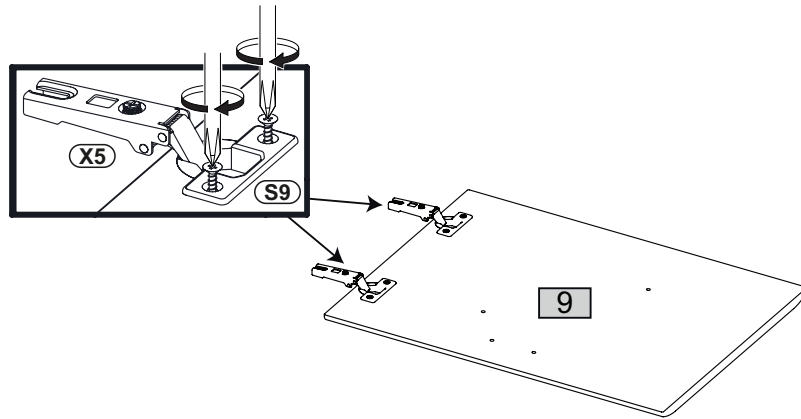
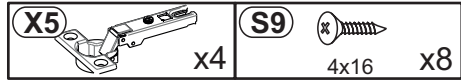
| Nr | Ausmaß | | | St |
|----|--------|-----|----|----|
| 1 | 200 | 200 | 10 | 2 |
| 2 | 356 | 384 | 15 | 2 |
| 3 | 349 | 50 | 15 | 4 |
| 4 | 1536 | 384 | 15 | 1 |
| 5 | 356 | 349 | 15 | 2 |
| 6 | 498 | 310 | 15 | 1 |
| 7 | 1538 | 384 | 15 | 1 |
| 8 | 1540 | 384 | 15 | 1 |
| 9 | 382 | 518 | 16 | 1 |
| 10 | 382 | 518 | 16 | 1 |
| 11 | 370 | 504 | 2 | 2 |
| 12 | 370 | 512 | 2 | 1 |



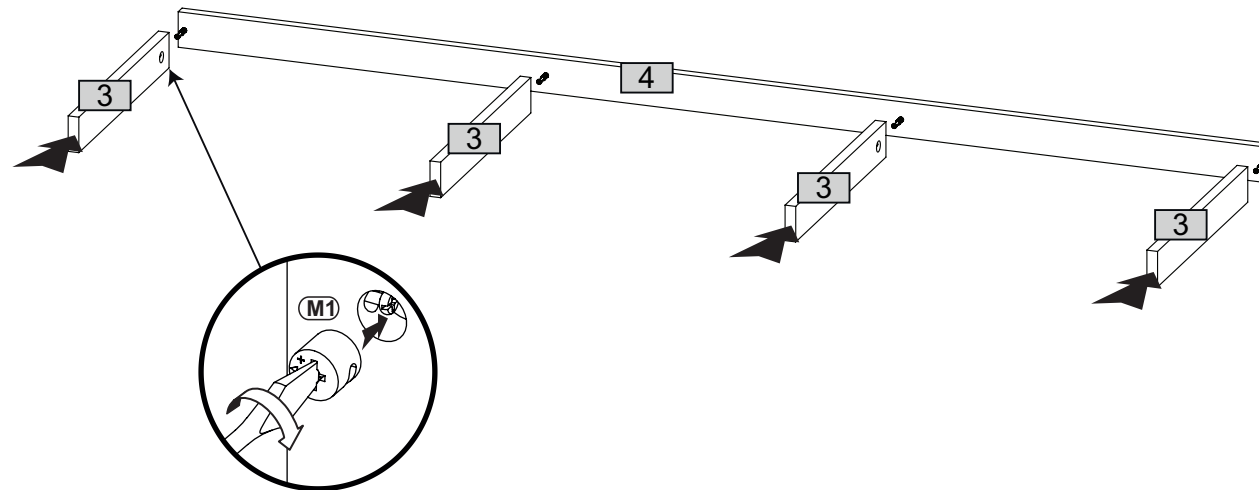
1



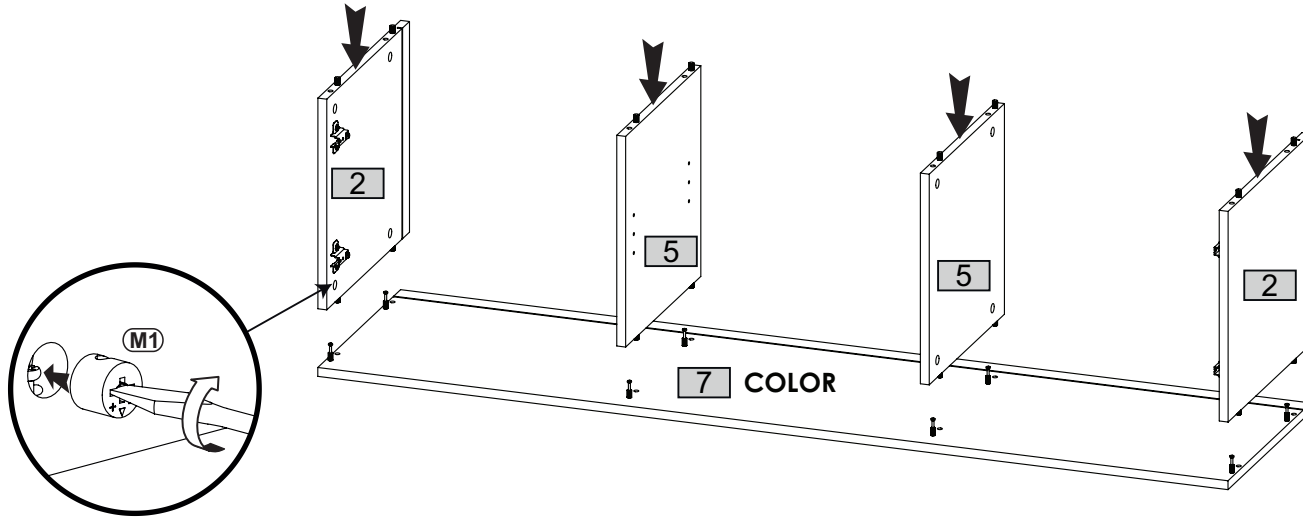
2



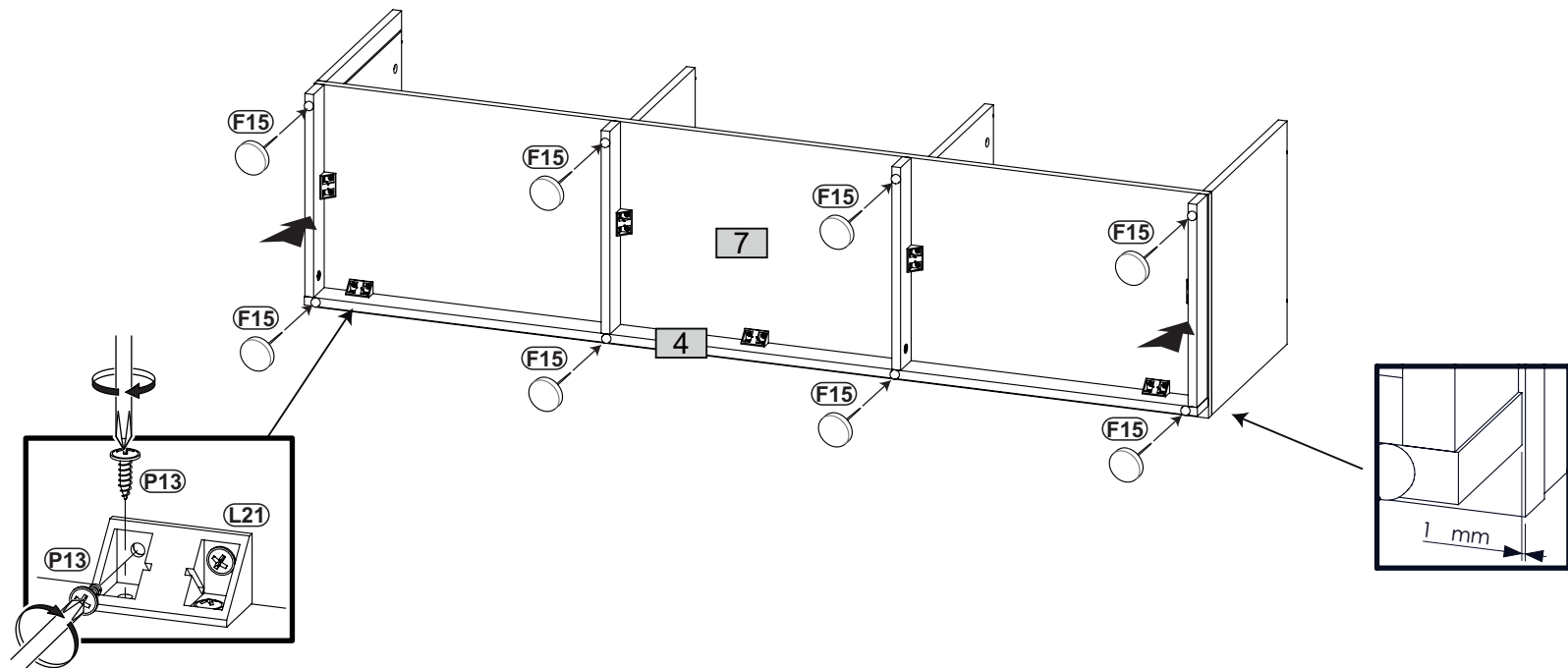
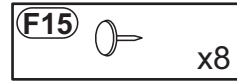
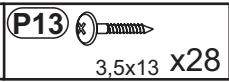
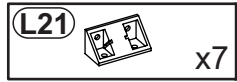
3



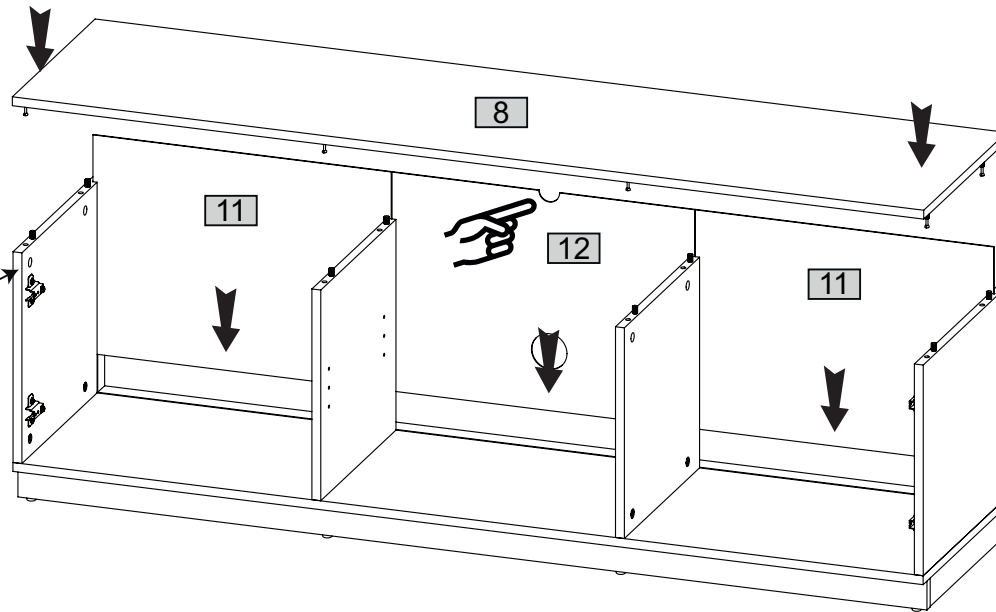
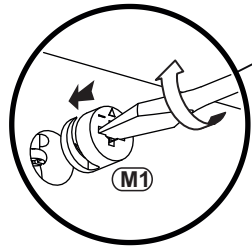
4



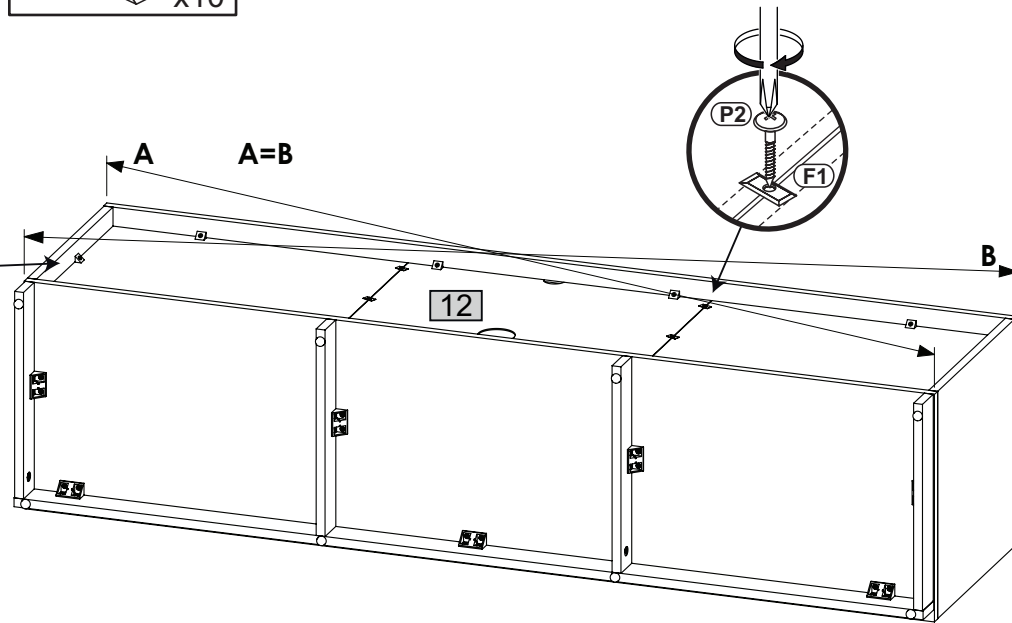
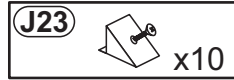
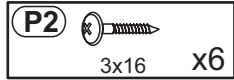
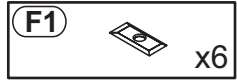
5



6



7



8

