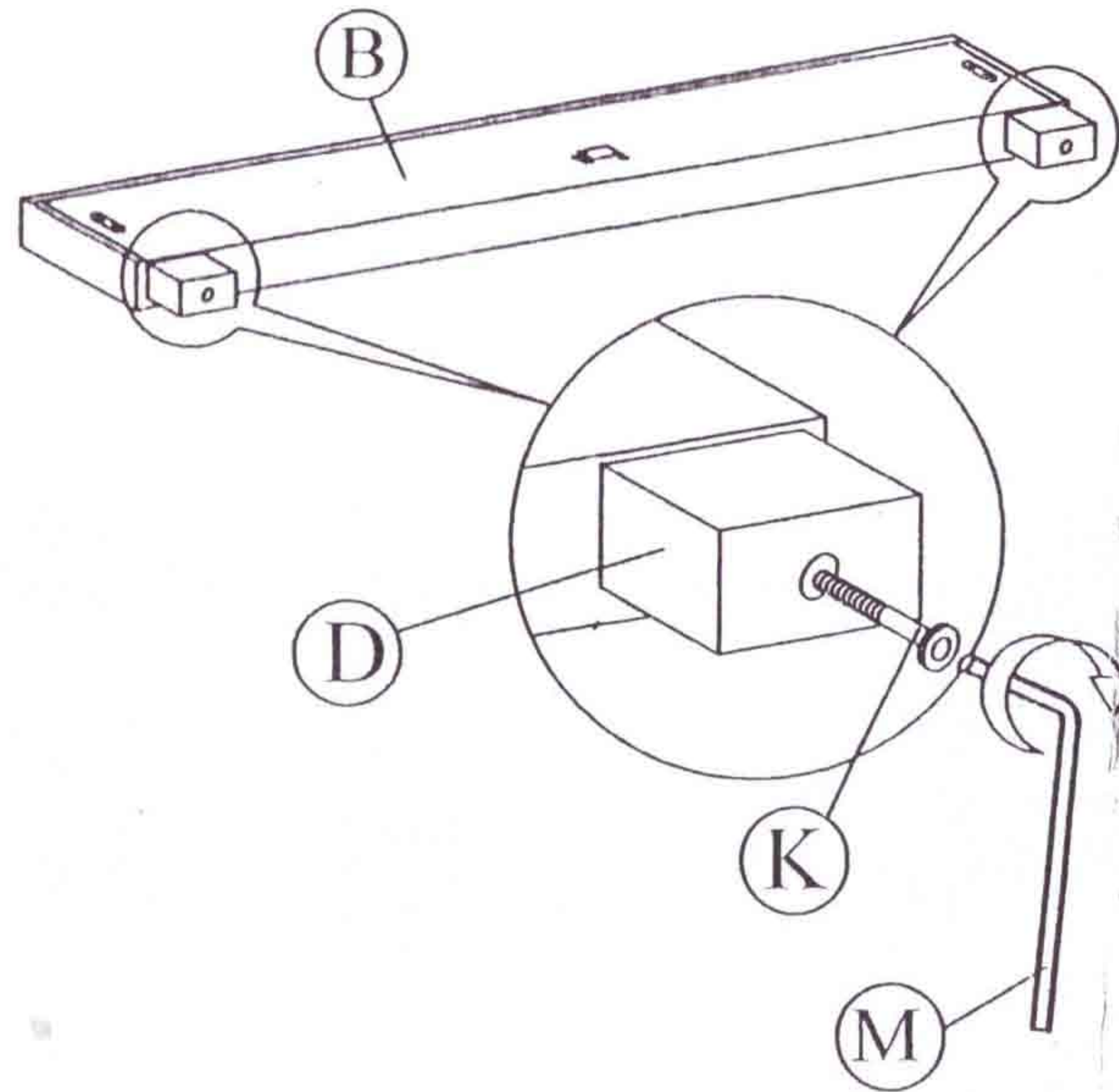


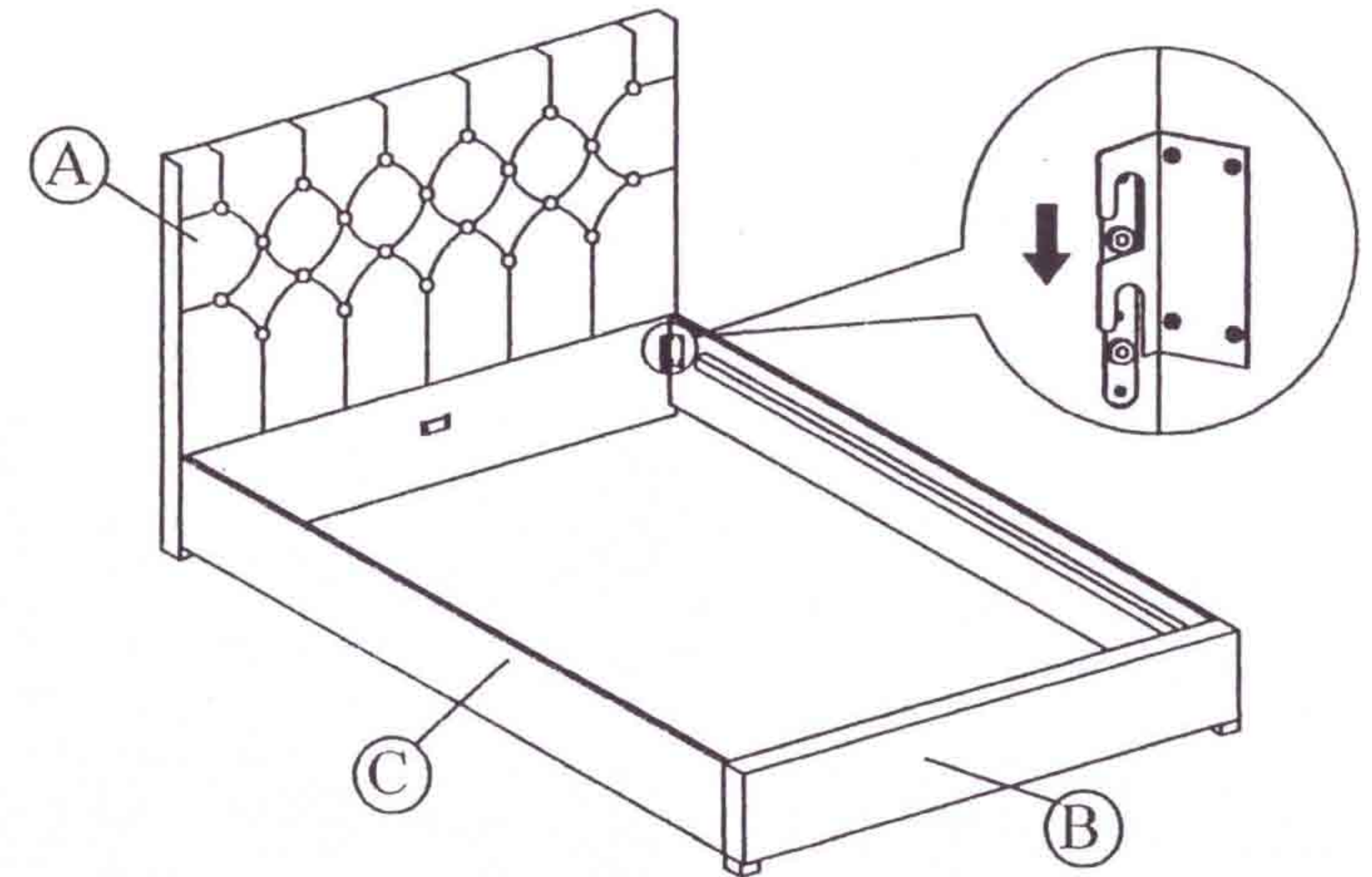
ASSEMBLY INSTRUCTION

MODEL: CF 8830-B
(4' & 4'6" & 5'6")

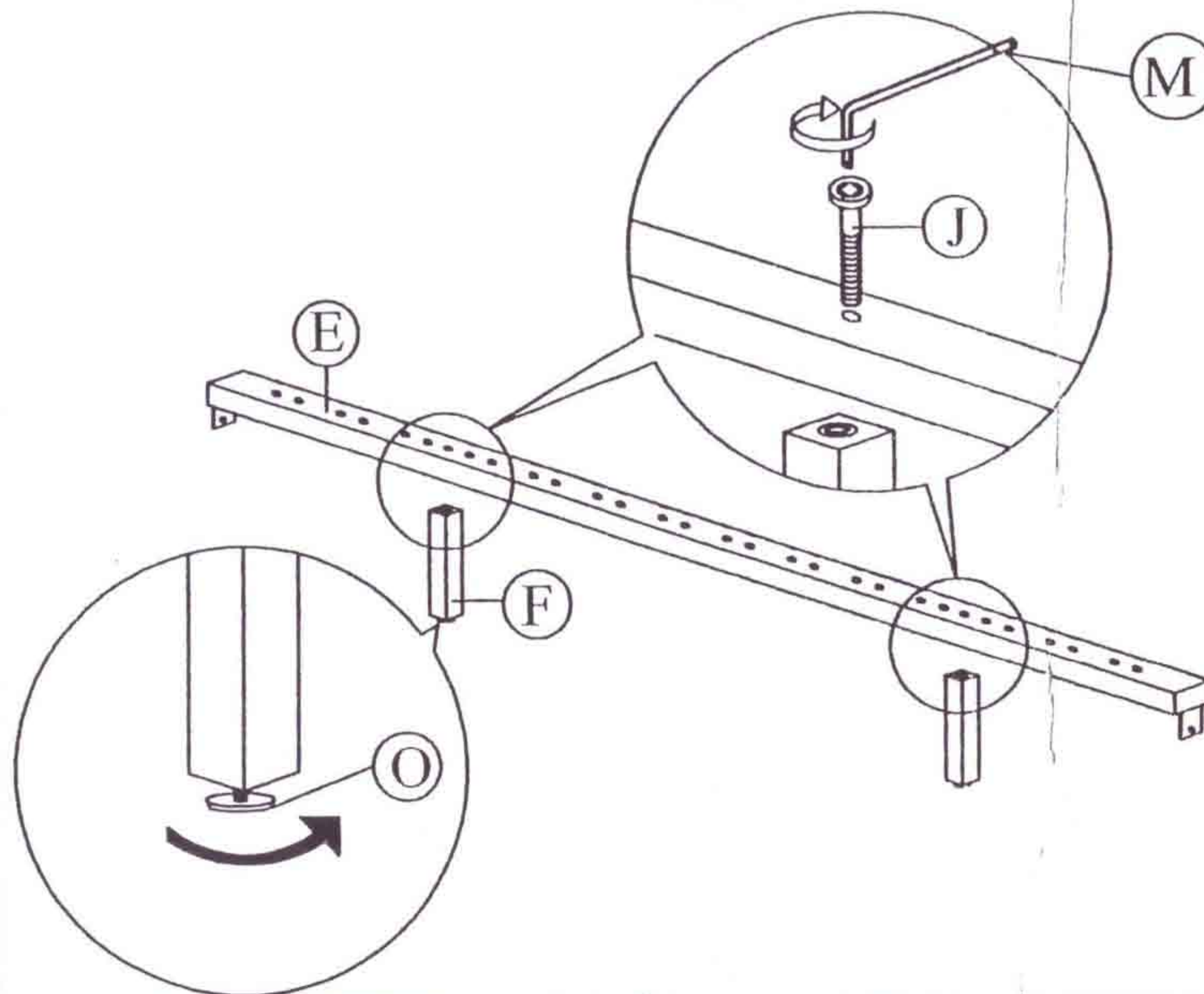
Step 1: Tighten the legs (D) to footboard (B) as shown.



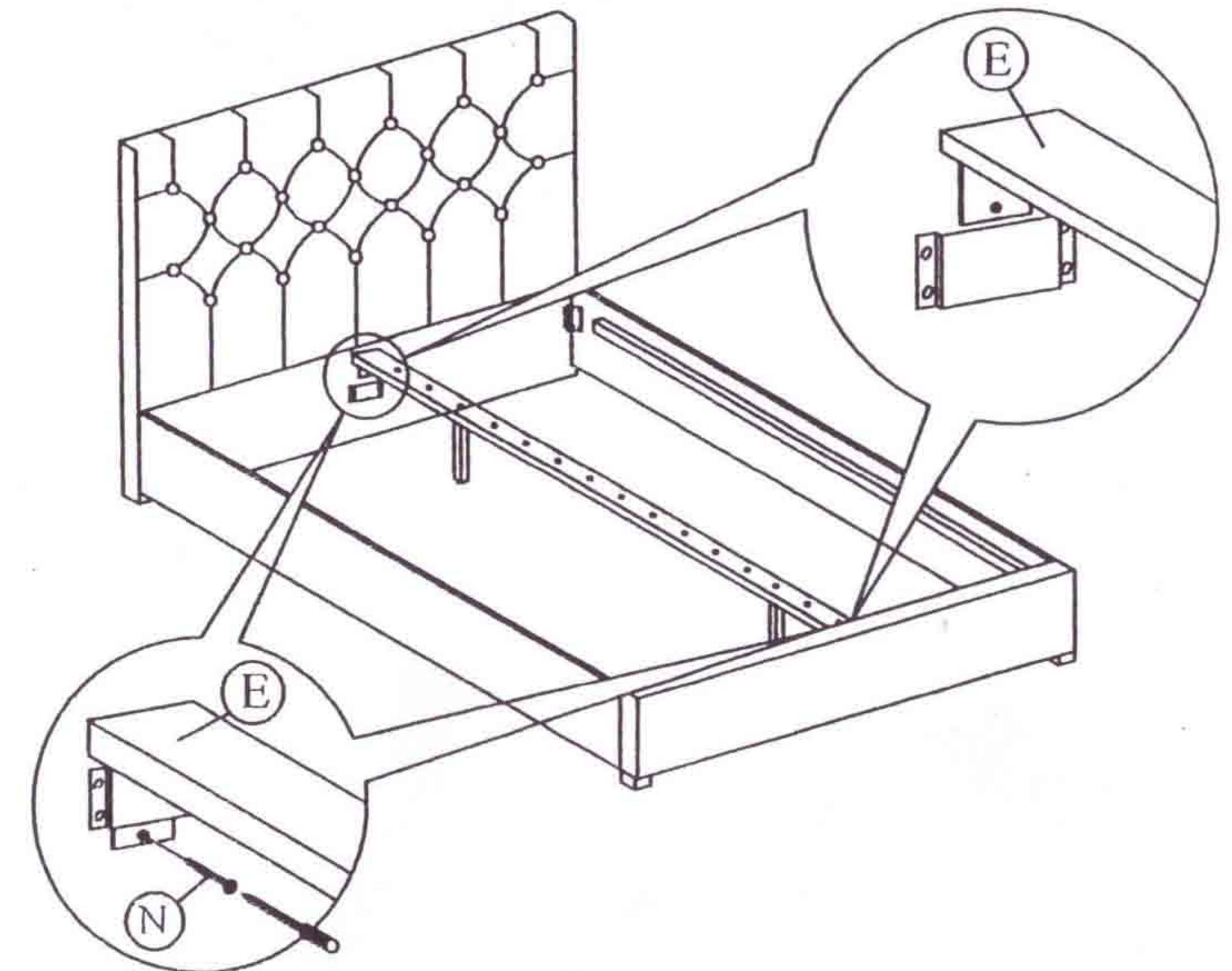
Step 2: Attach side rail (C) to headboard (A) and footboard (B) by pushing the bracket down to fit it.

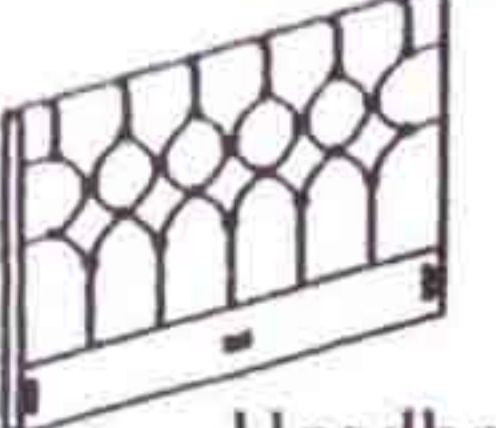
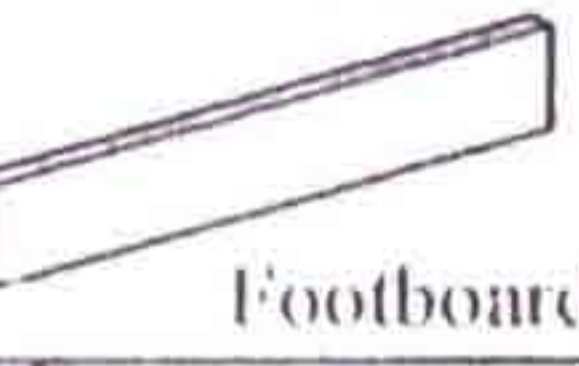
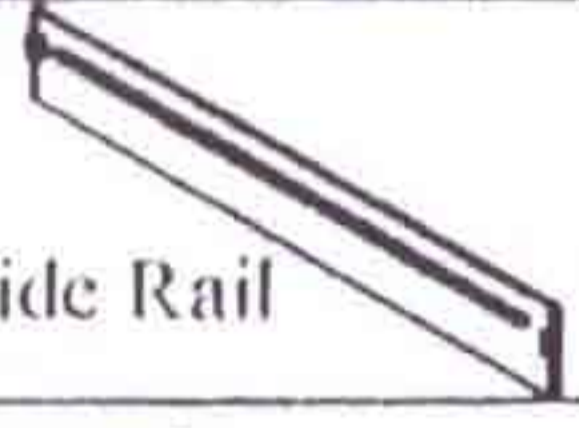
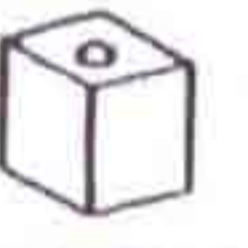





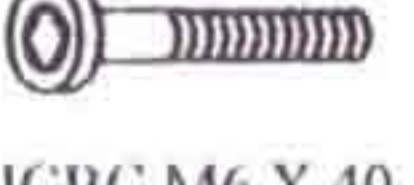
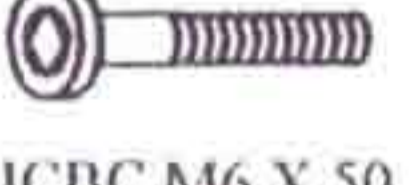


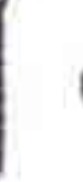



Step 3: Attach the support legs (F) to the center rail (E) of the bed as shown.



Step 4: Slide the center rail (E) to the headboard (A) and footboard (B). Tighten screws (N) using screw driver (not included) to the headboard (A) and footboard (B).



A	 Headboard	1 pc
B	 Footboard	1 pc
C	 Side Rail	2 pcs
D	 Leg	2 pcs
E	 Center Rail	1 pc
F	 Support Leg	2 pcs
G	 Slat	28 pcs
H	 Middle Holder	14 pcs
I	 End Holder	28 pcs
J	 JCBC M6 X 40	2 pcs
K	 JCBC M6 X 50	2 pcs
L	 M5 x 70mm	1 pc
M	 M4 x 100mm	1 pc
N	 CSK M4 x 25mm	2 pcs
O	 Adjuster	2 pcs

Step 5: Affix the Stiffener Slat (O) to the side rail support wood and the center rail (E) . Tighten all the 4 corner ,follow by assembly of the slat holders with LVL slats as shown.

