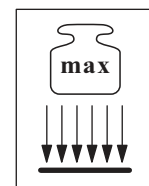
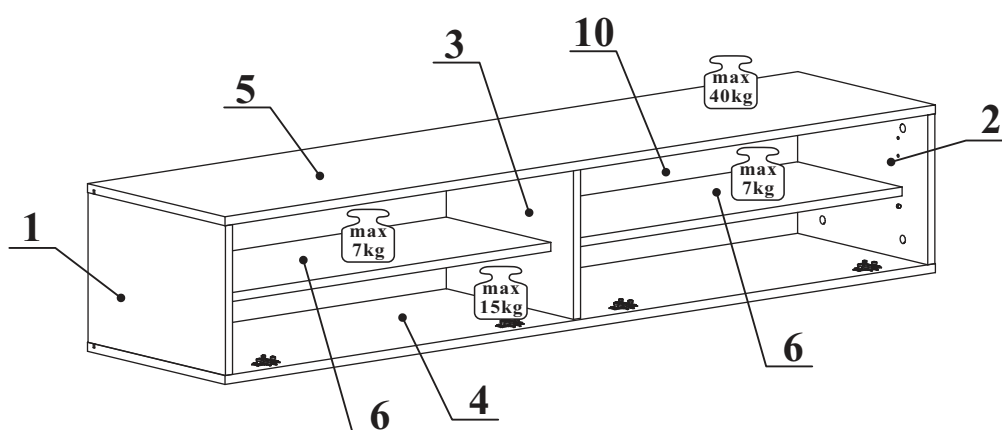
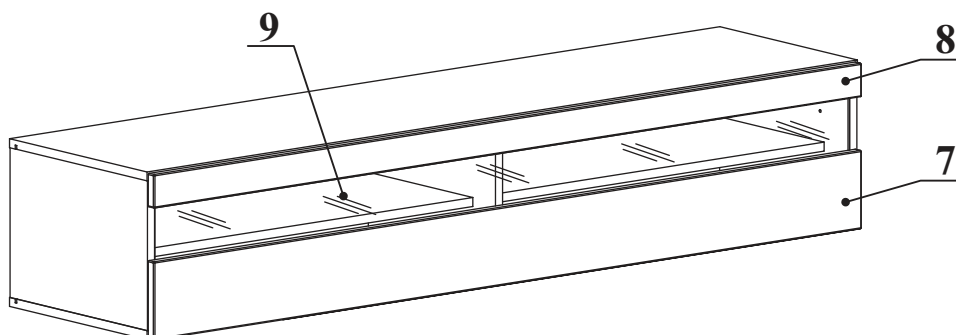


# FLY TYP-35

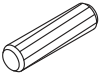
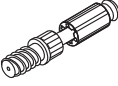




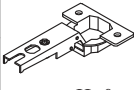
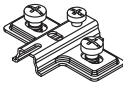




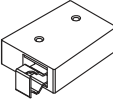
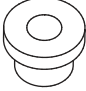
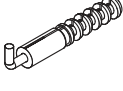

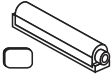



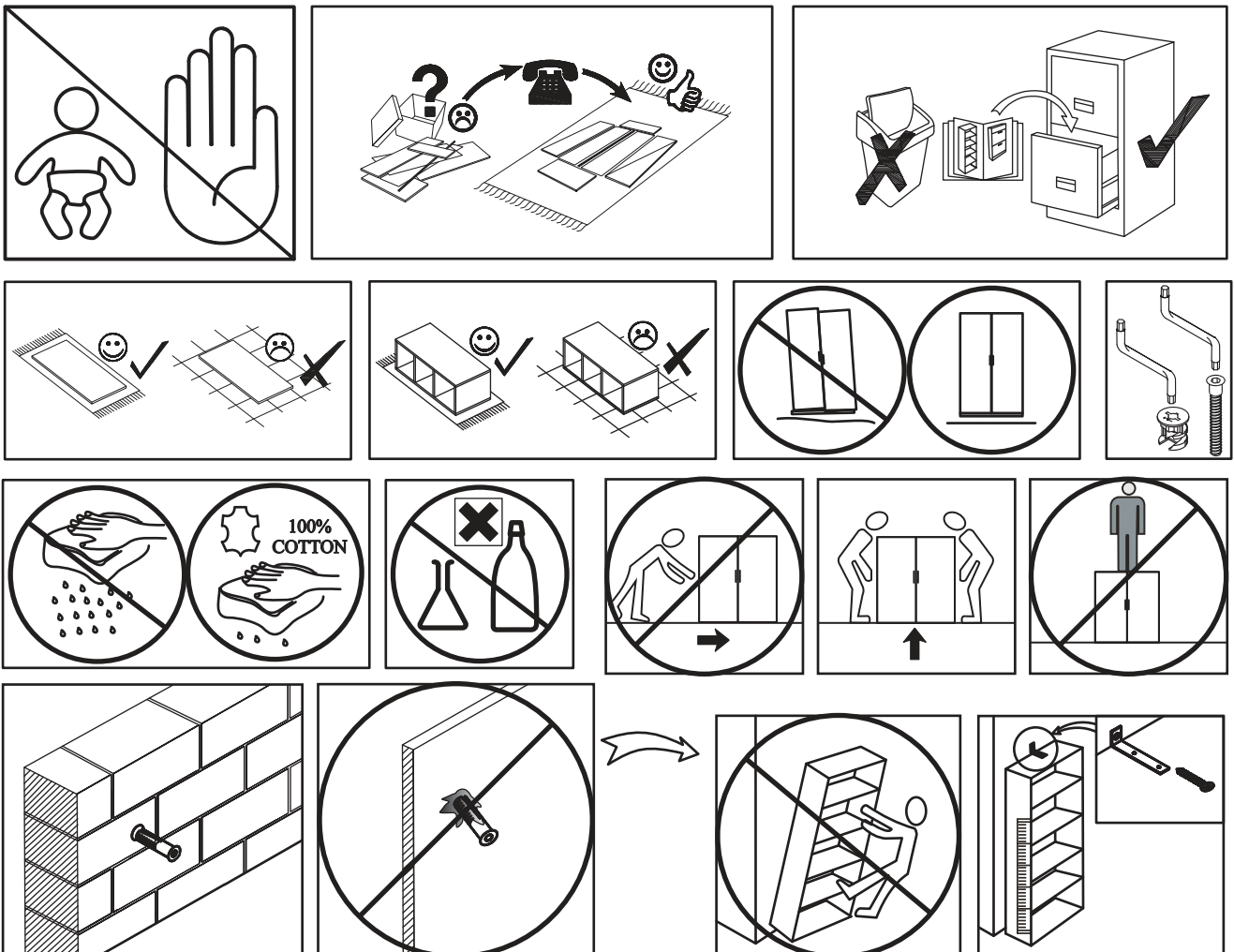
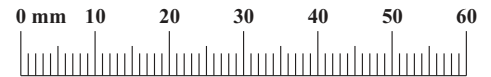
NO	Dim.		Col.-No	Qty
1	268	384	1	1
2	268	384	1	1
3	268	355	1	1
4	1602	384	1	1
5	1602	384	1	1
6	776	292	1	2
7	1596	140	1	1
8	1596	60	1	1
9	1566	146	1	1
10	1580	280	1	1



60 min

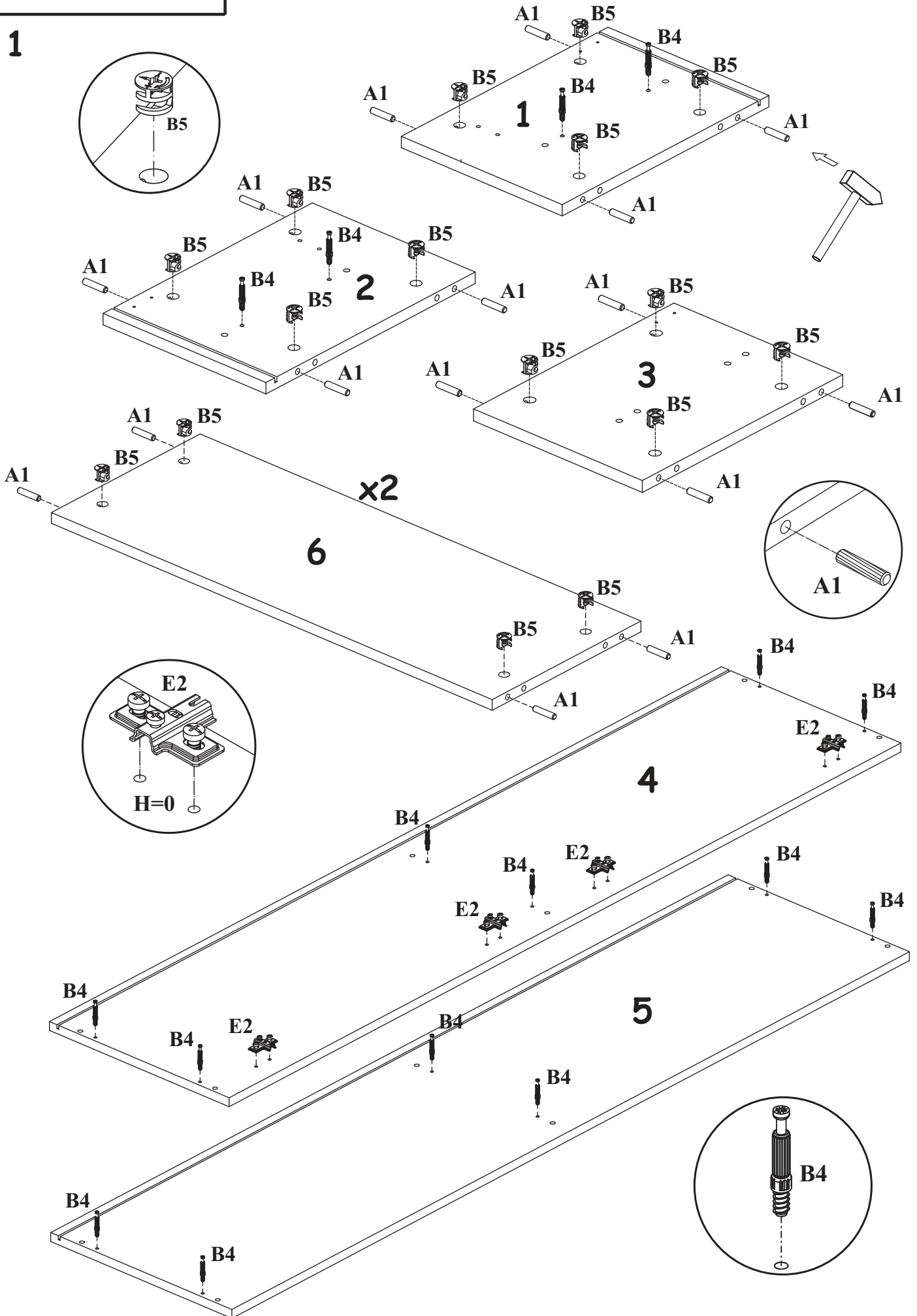
FLY TYP-35

A1 X20  ø8x36	B4 X16 	B5 X20  ø15x12	G5 X20 	B6 X2  Ø7x78	G2 X1 
E1 X4  H=0	E2 X4  H=0	S1 X10 	D6 X6  USØ3,5x30	D10 X14  USØ3,5x13	G21 X2 
ZR1 X3 	P2 X12 	KR2 X3 	D7 X6  USØ3x16	AM X1 	UP13 X12  UPØ3x16



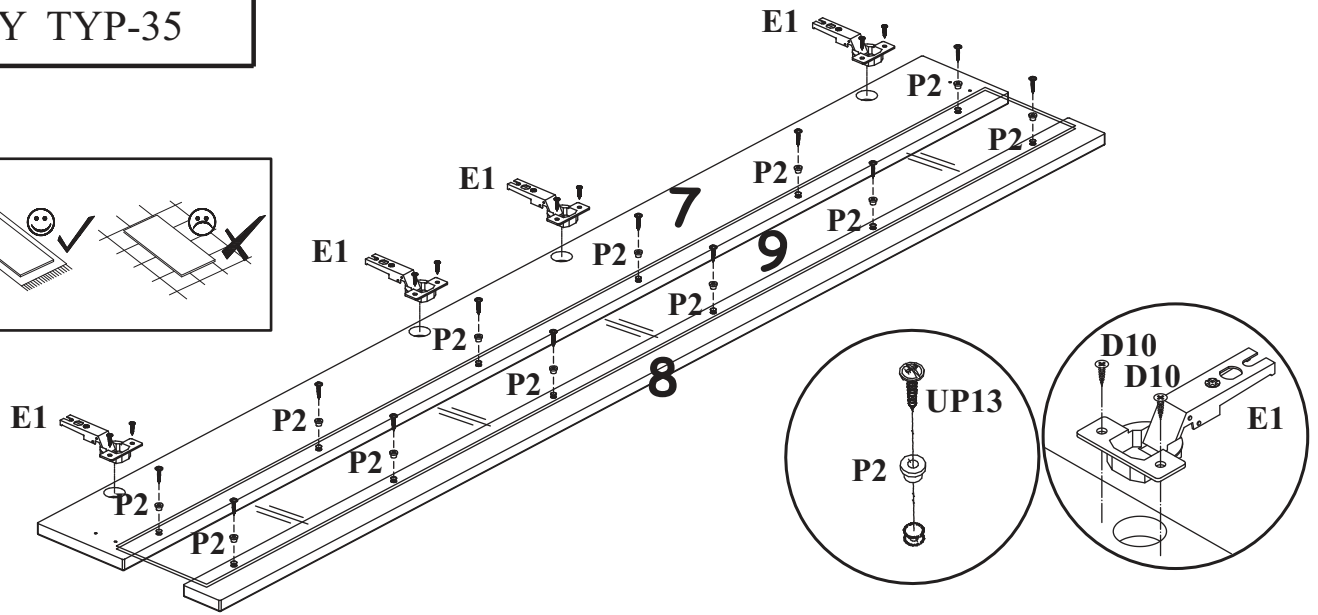
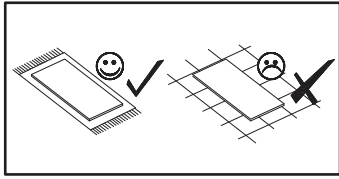
# FLY TYP-35

1

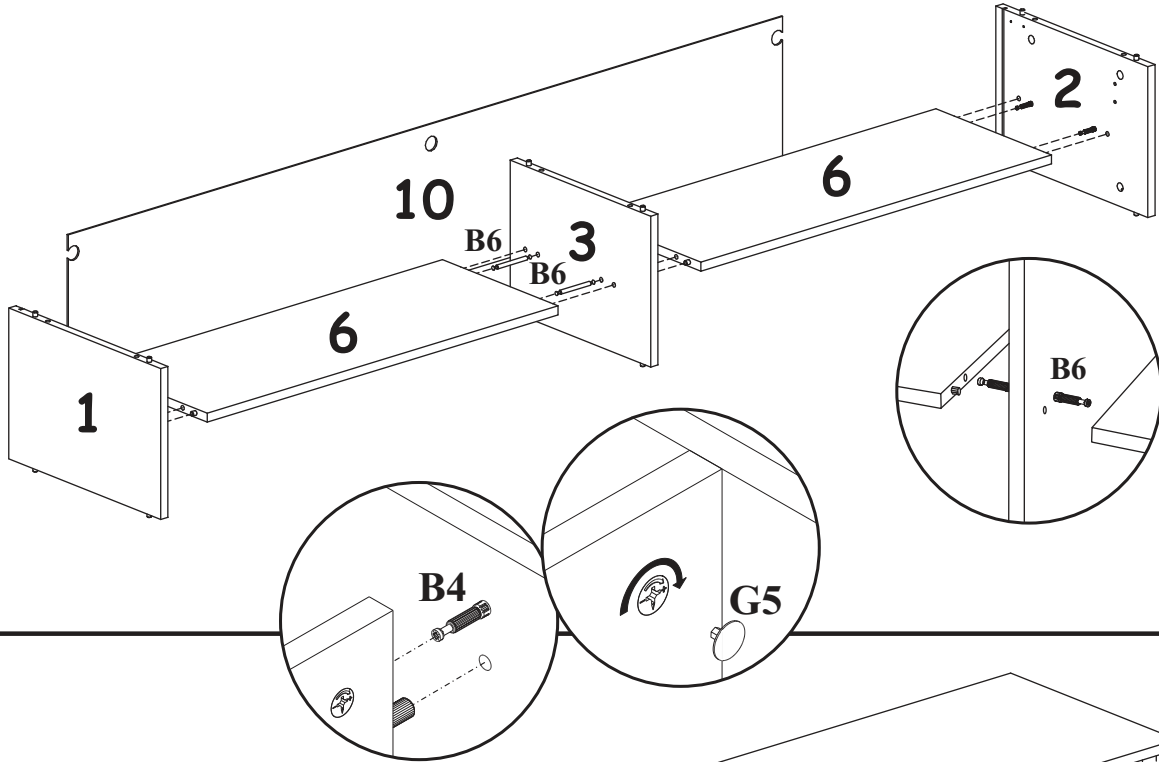


FLY TYP-35

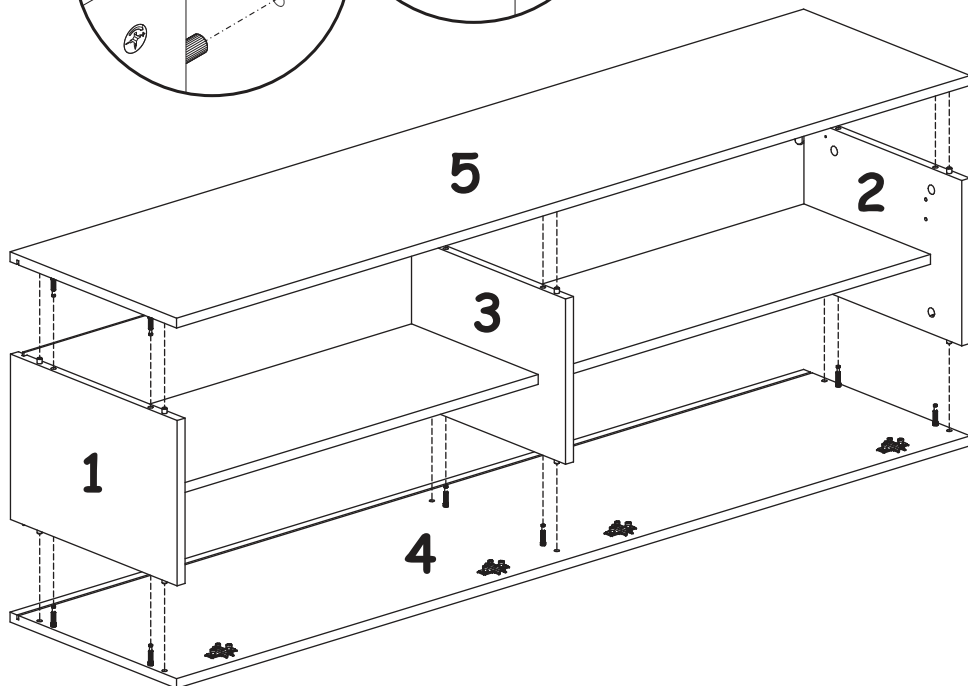
2



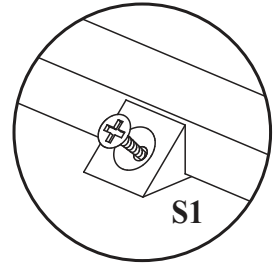
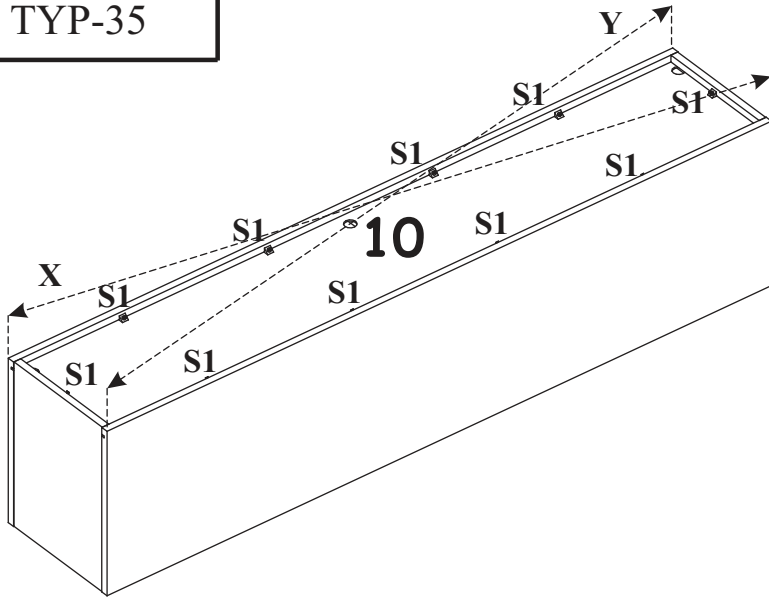
3



4

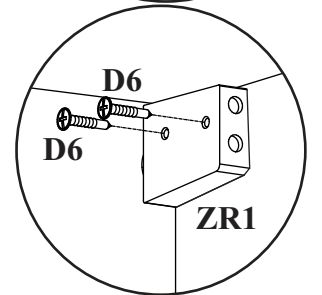
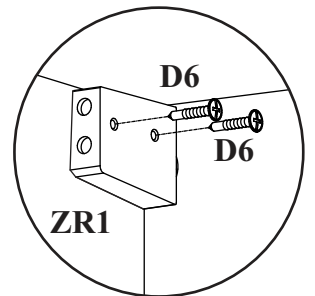
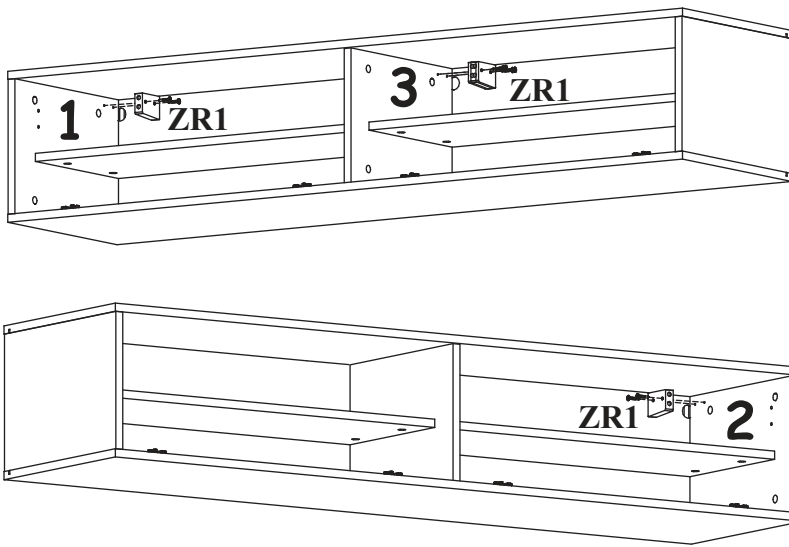


5

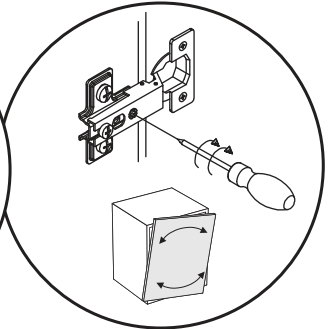
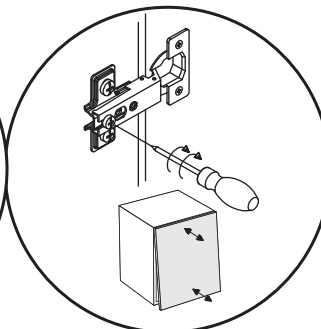
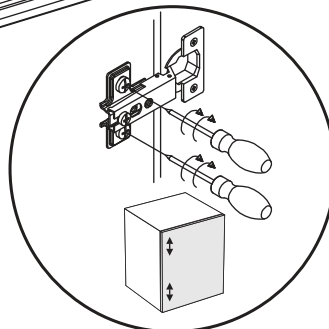
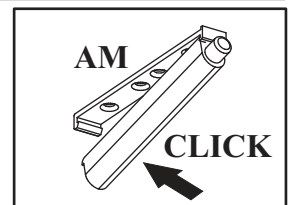
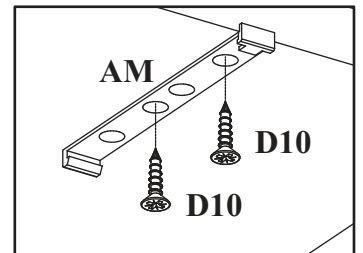
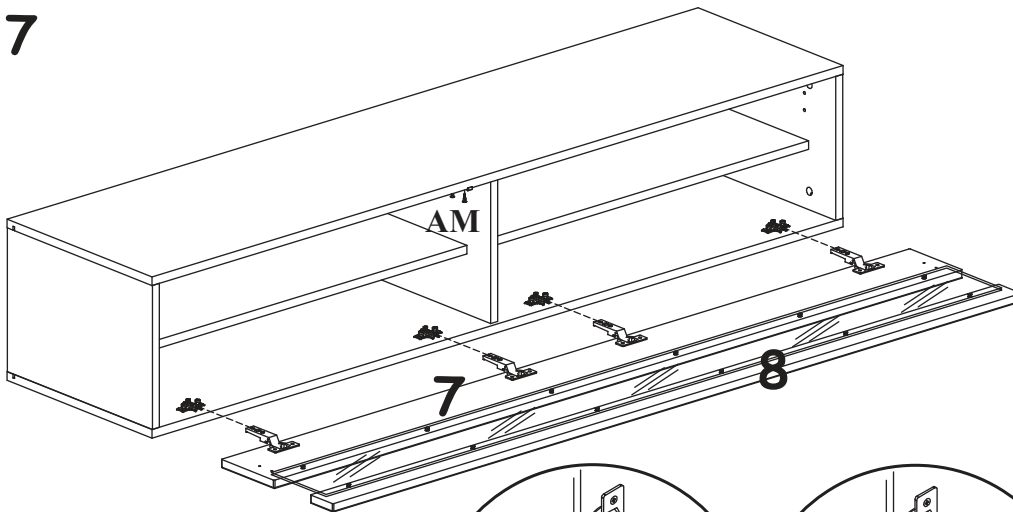


$X=Y$   $90^\circ$

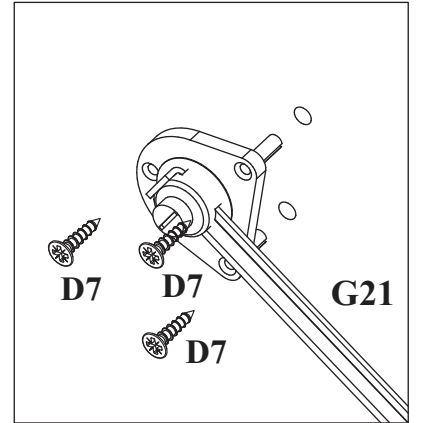
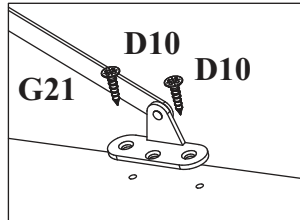
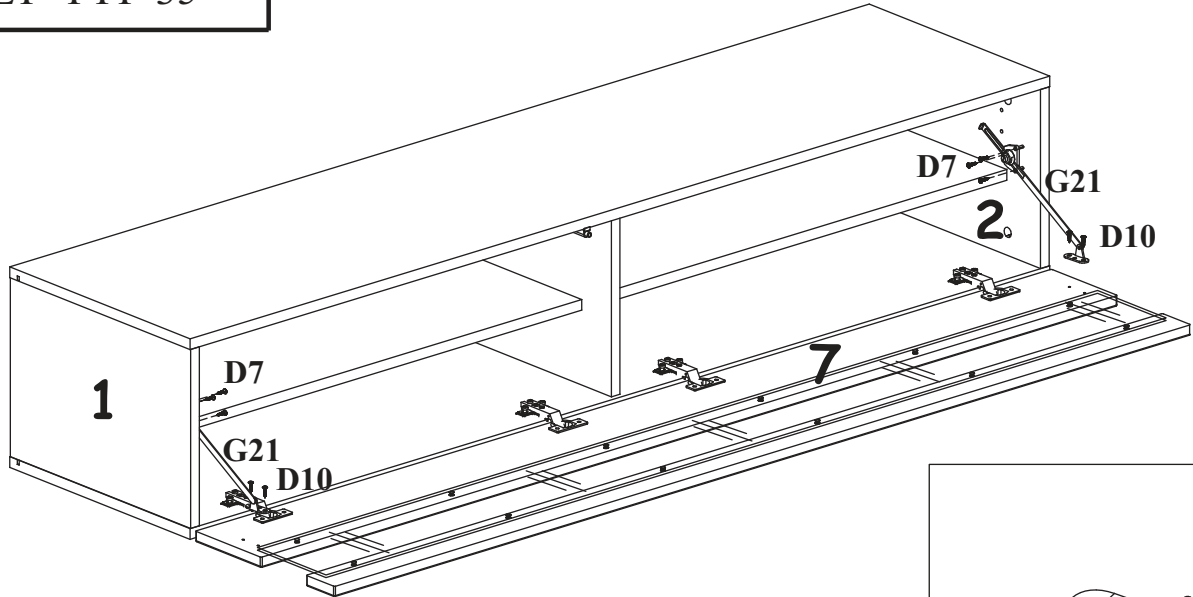
6



7



8



9

