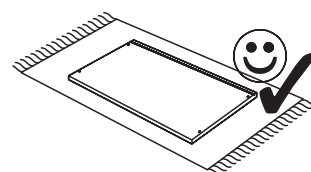
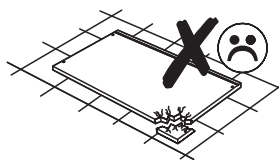
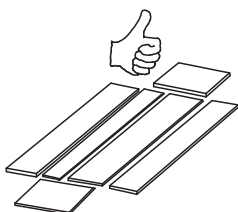
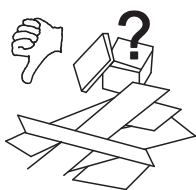
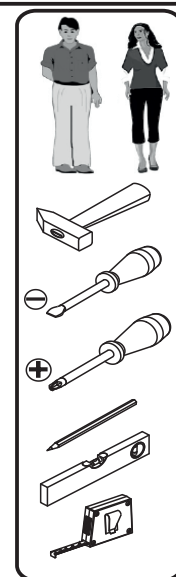
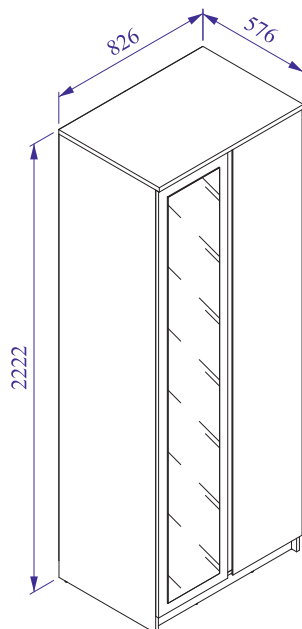


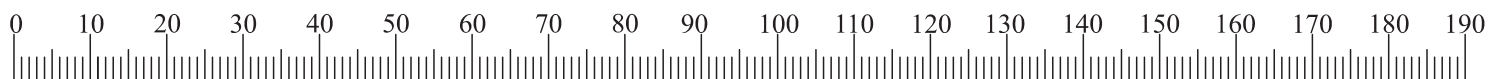
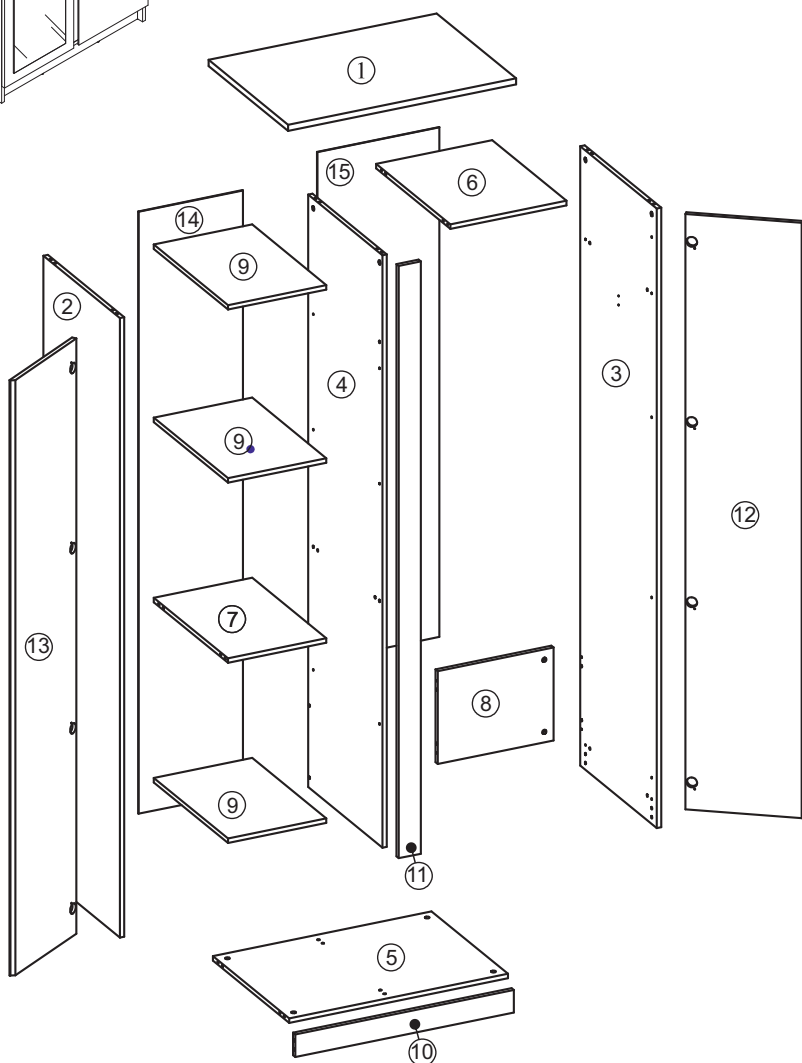
# BECTA CB- 2259 / VESTA SB-2259

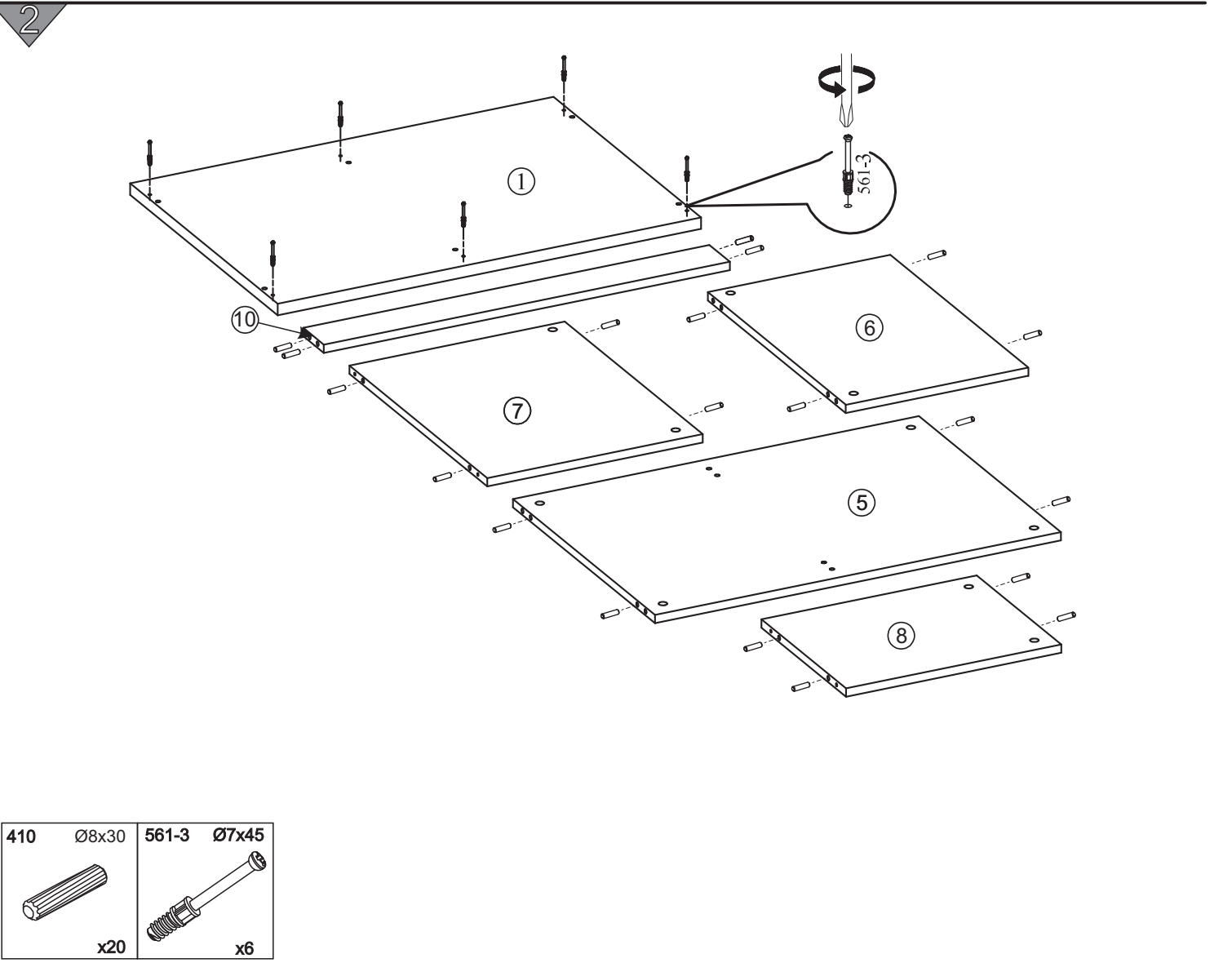
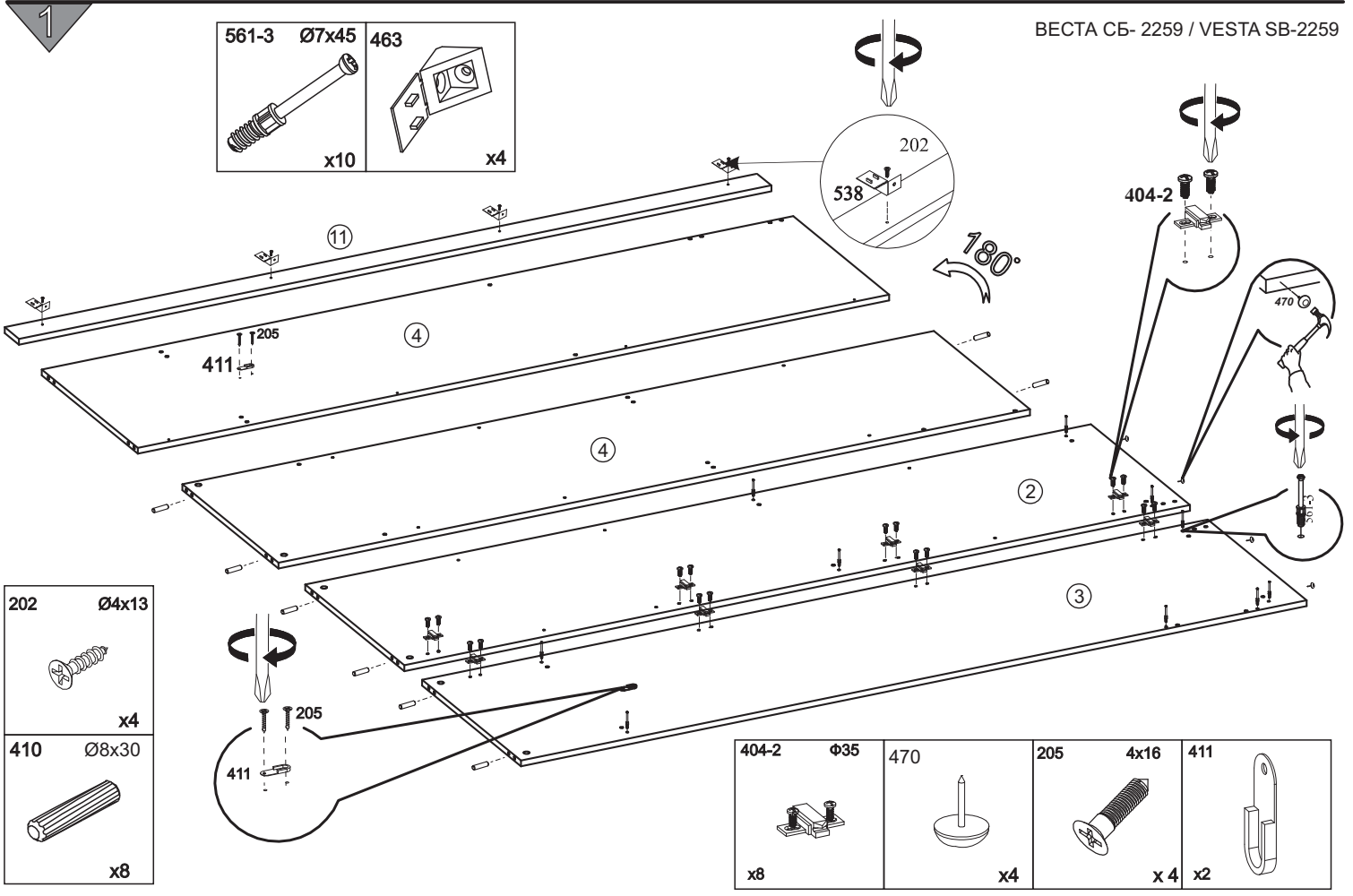


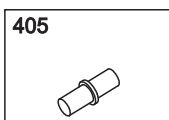
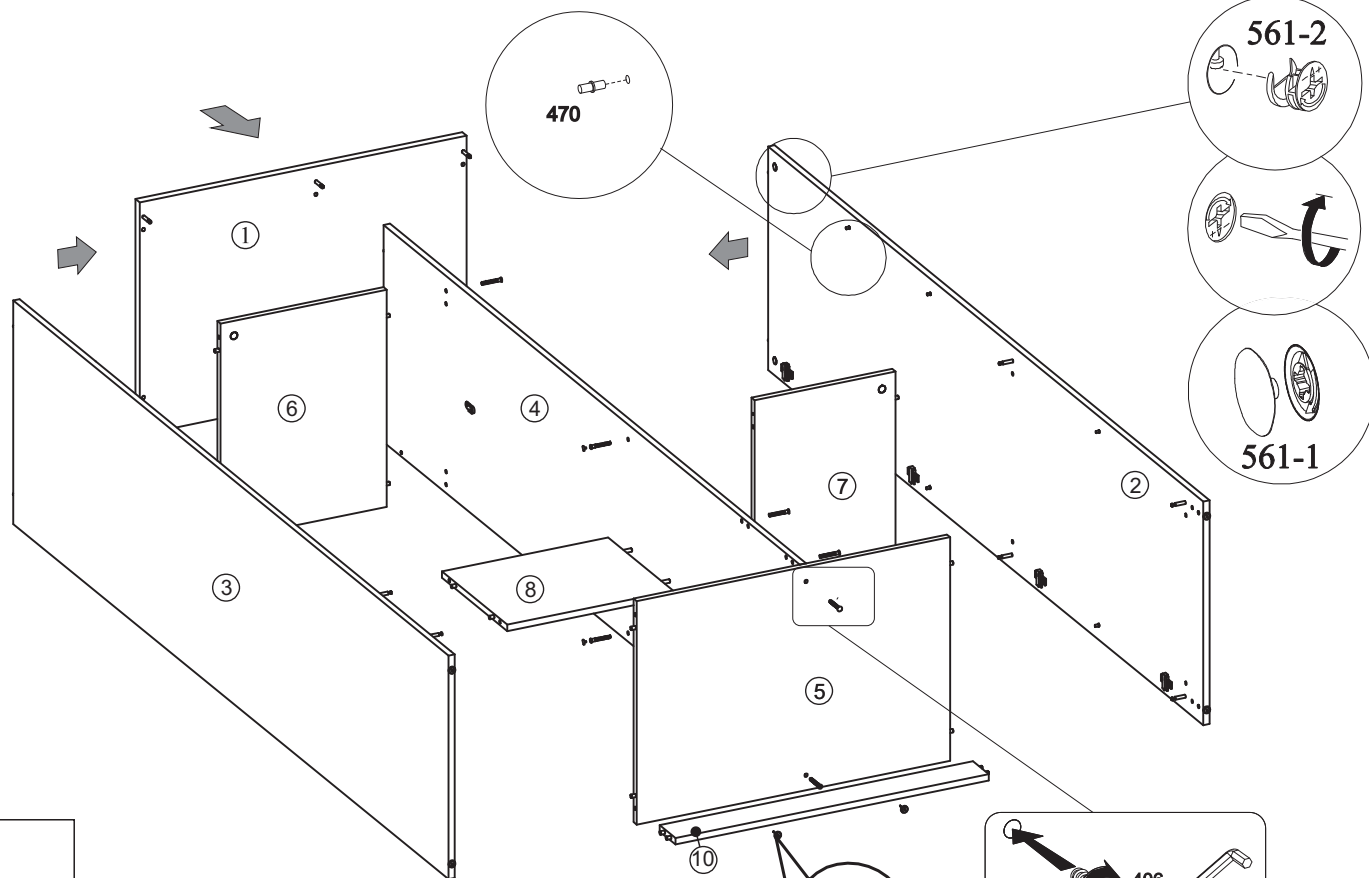
Поз.	L	B	S	Кол.	№П.
01	826	576	22	1	3
02	2200	554	16	1	1
03	2200	554	16	1	1
04	2104	538	16	1	2
05	792	554	16	1	3
06	420	538	16	1	2
07	356	538	16	1	2
08	420	330	16	1	3
09	356	538	16	3	2
10	792	80	16	1	3
11	2104	80	16	1	1
12	2114	396	16	1	1
13	2114	396	20	1	4
14	2138	378	3	1	1
15	1810	442	3	1	2



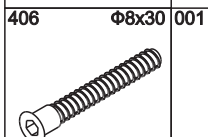
202	Ø4x13	561-1		x8	x16
301	1,6x25	561-3		x116	x16
602	Ø4x13	461		x21	x8
410	Ø8x30	411		x28	x2
406		405		x8	x12
463		404-d		x4	x8
		412		x1	L=414
		470		x1	x6
		205		x4	
		561-2		x16	



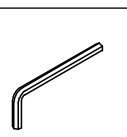




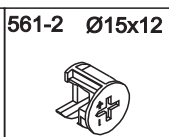
x12



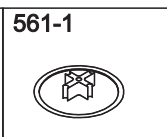
x8



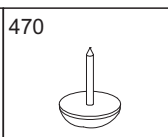
x1



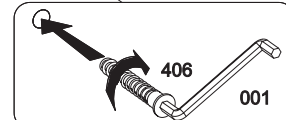
x16



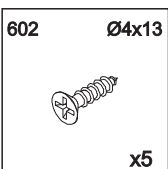
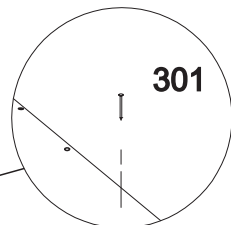
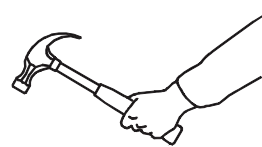
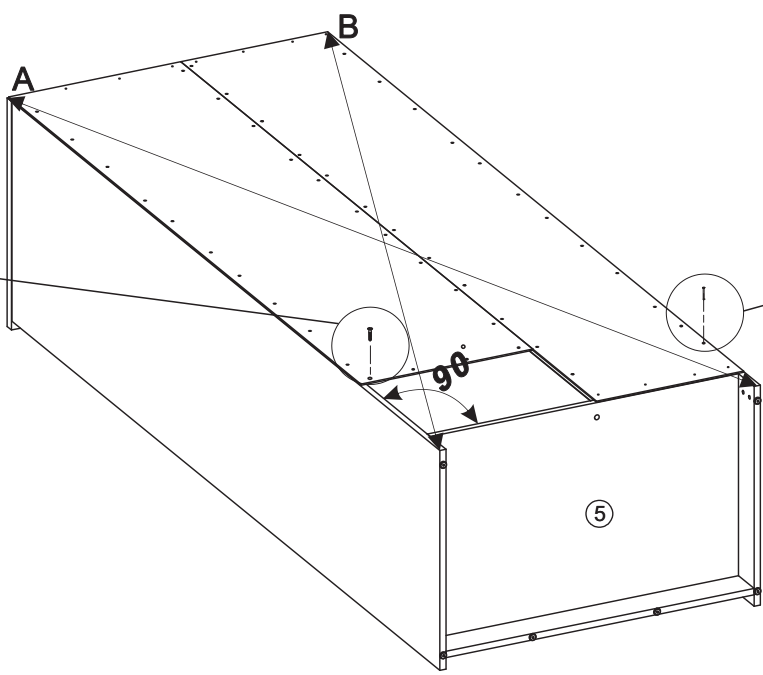
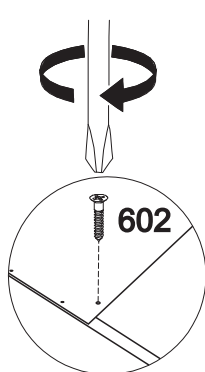
x16



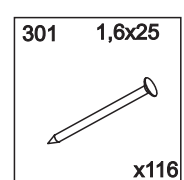
x2



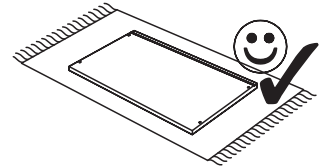
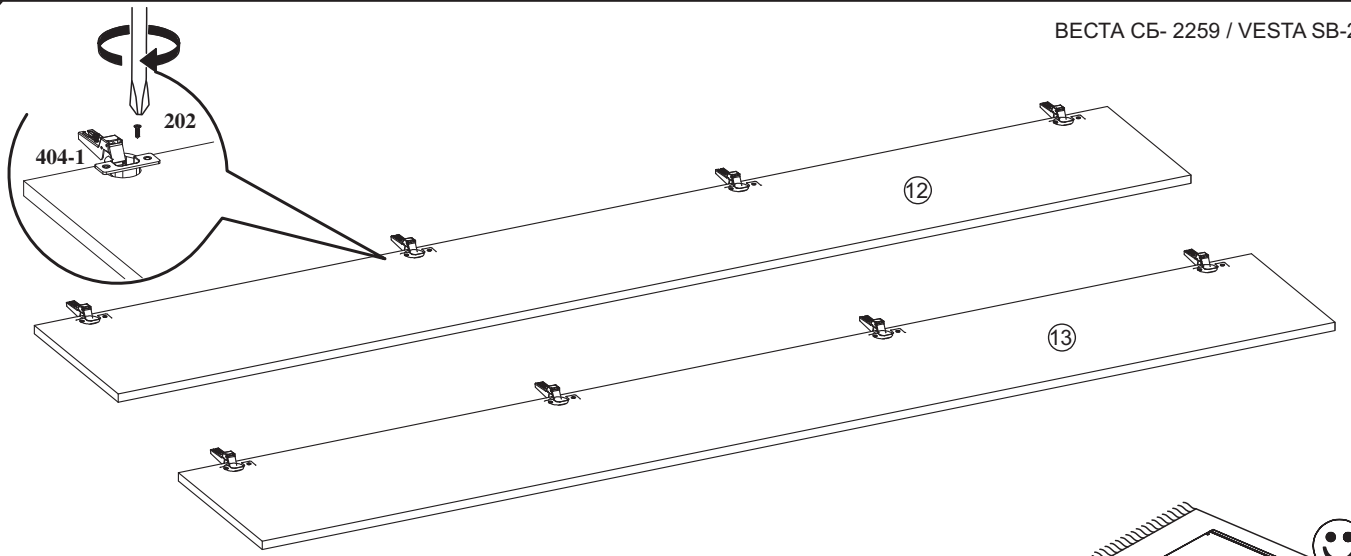
A=B


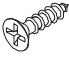


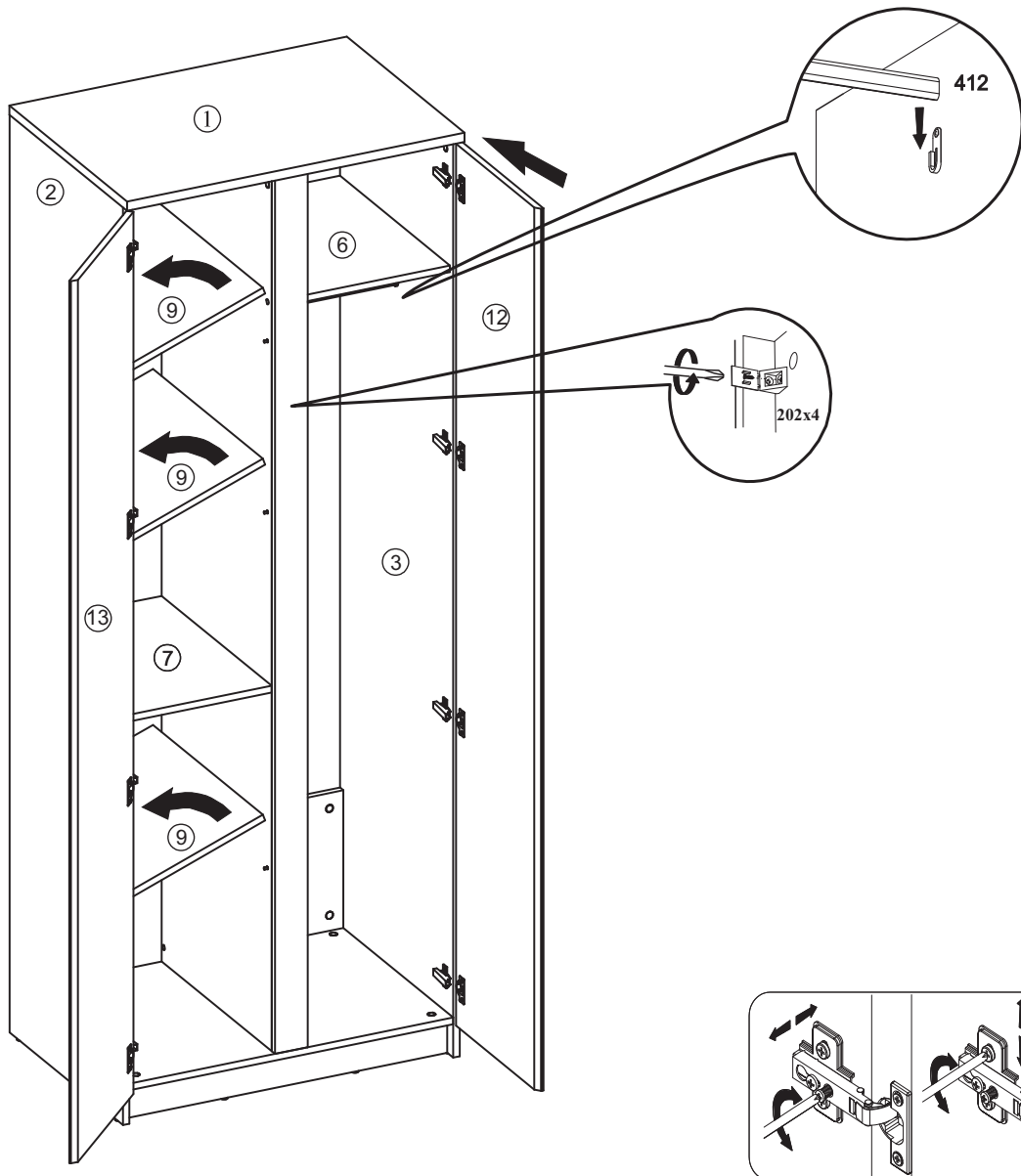
x5

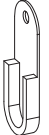

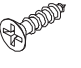


x116



<p>404-1</p>  <p>x8</p>	<p>202 Ø4x13</p>  <p>x16</p>
---	---



<p>411</p>  <p>x2</p>	<p>412 L=414</p>  <p>x1</p>
<p>202 Ø4x13</p>  <p>x4</p>	

