

SET UP INSTRUCTION

Step.1

Lay table flat on smooth surface ground as shown in fig. 1.

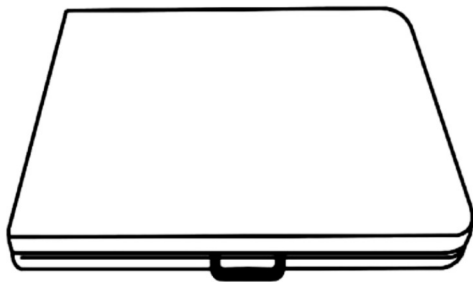


fig.1

Step.2

Unfold the table as shown in fig.2.

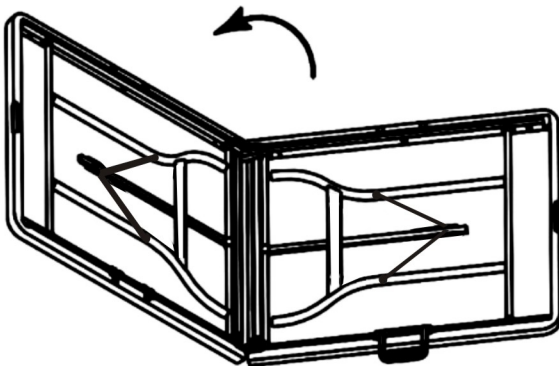


fig.2

Step.3

Lift the two stands to the upright position as shown in fig.3. Straighten the 2 support bars as shown by applying pressure from underneath. The steel ring automatically goes down to chain up the bars!

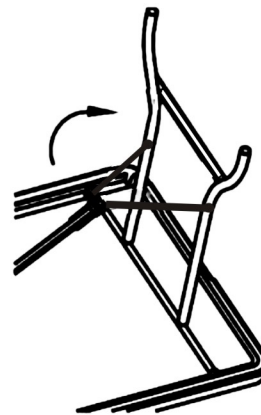


fig.3

Step.4

Put the two sides locking bar through the two support bar as shown in fig.4

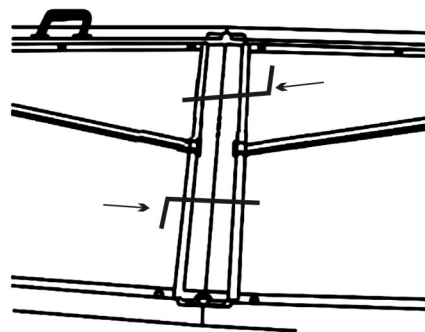


fig.4

Step.5

Turn table over on its stands with care. Table is ready for use.

To fold away the table, please follow the above steps in reverse

Caution:

Always handle the setting up and folding-away of the table with great care!