

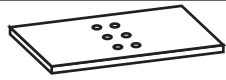







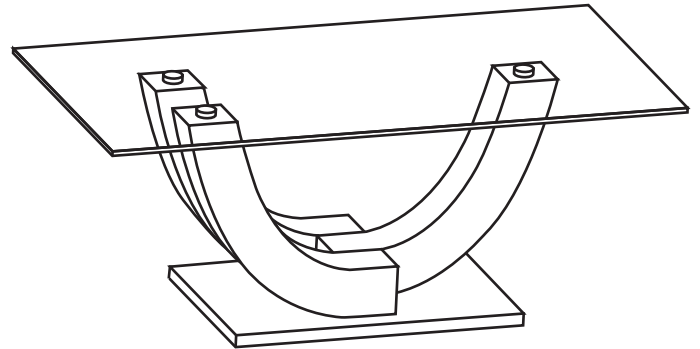


ASSEMBLY INSTRUCTION

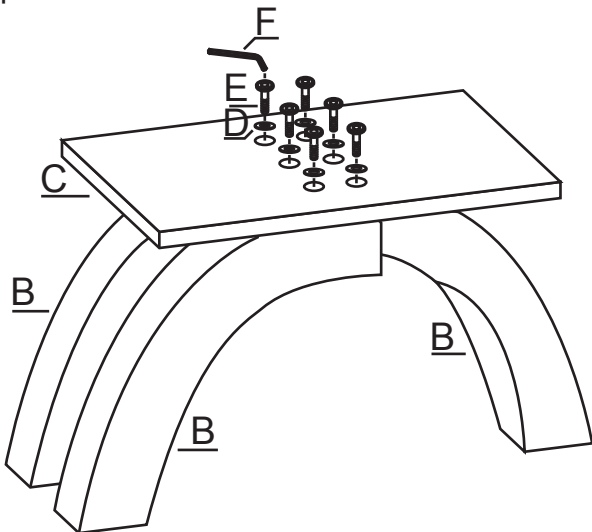
IFDC NO.: SWING

HARDWARE LIST

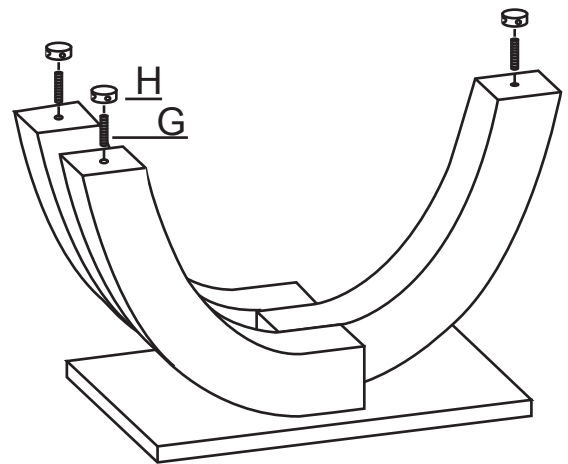
NO.	PART		Q'TY
A		glass top	1
B		frame	3
C		MDF base	1
D		caps	6
E		screw	6
F		short allen key	1
G		rod screw	3
H		metal plate	3
I		Short rod	6
J		long allen key	1



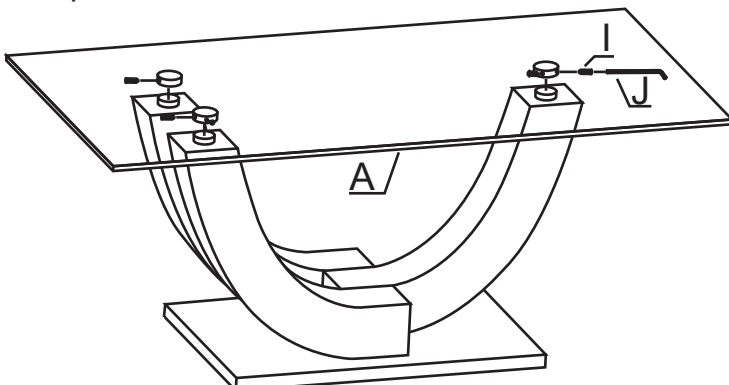
step 1



step 2



step 3



step 4

