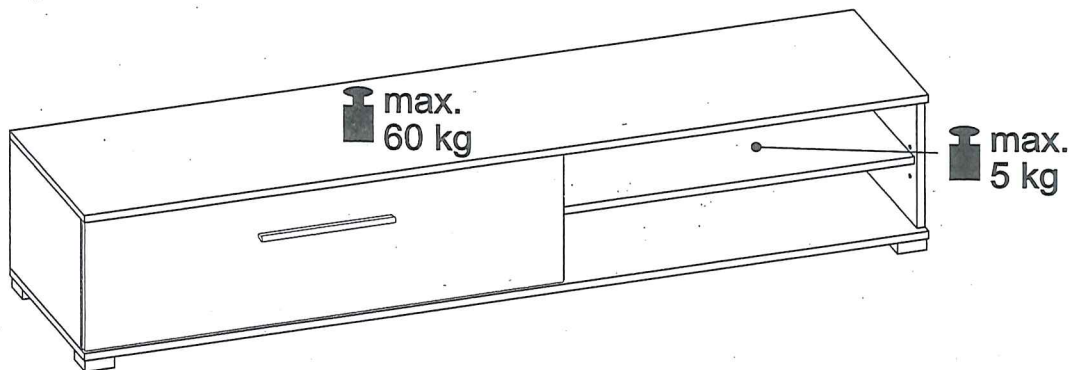
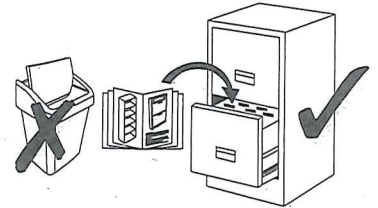


9490-7-A

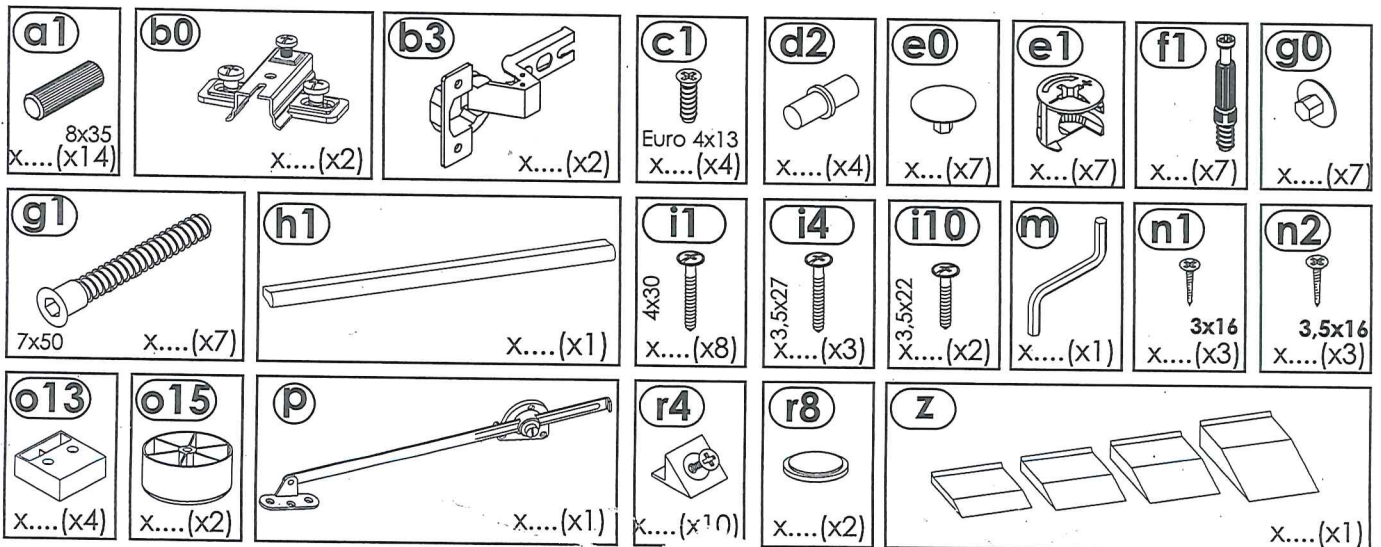
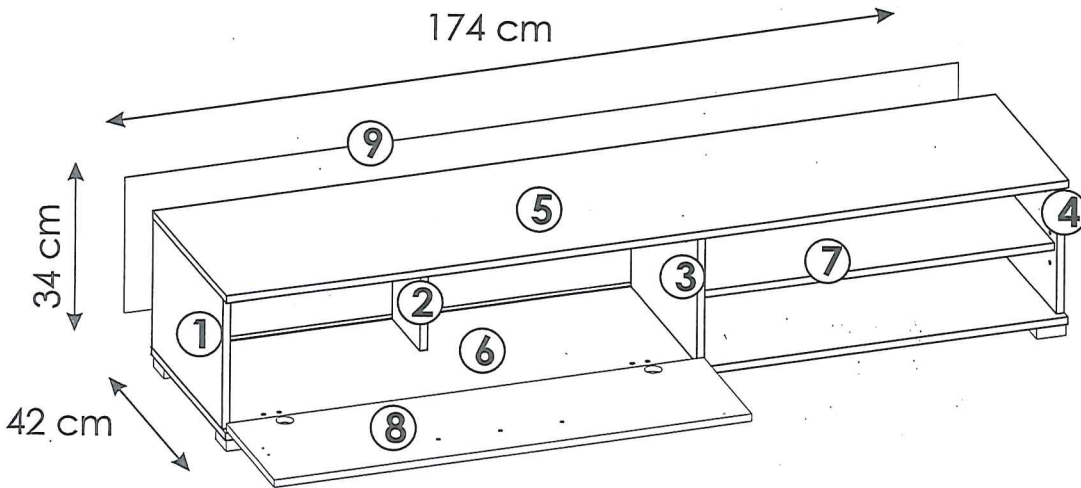
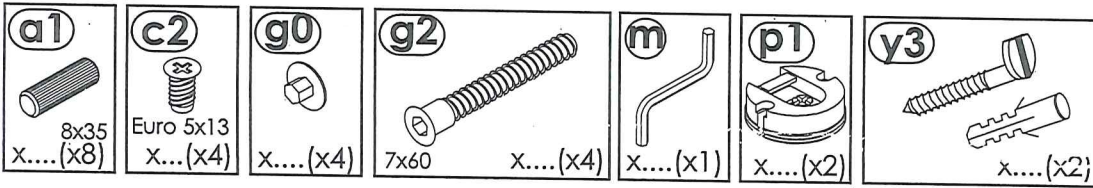
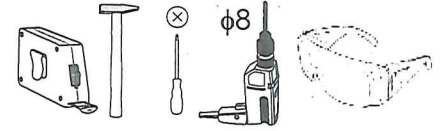
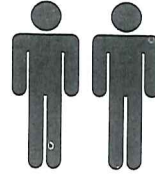
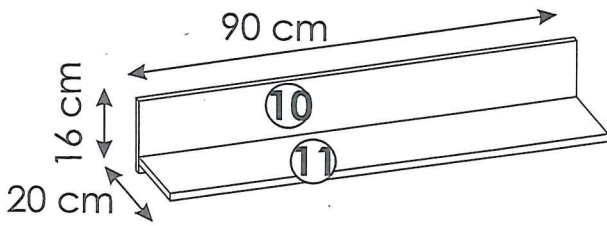
# STOCKHOLM

## TV UNIT + PANEL

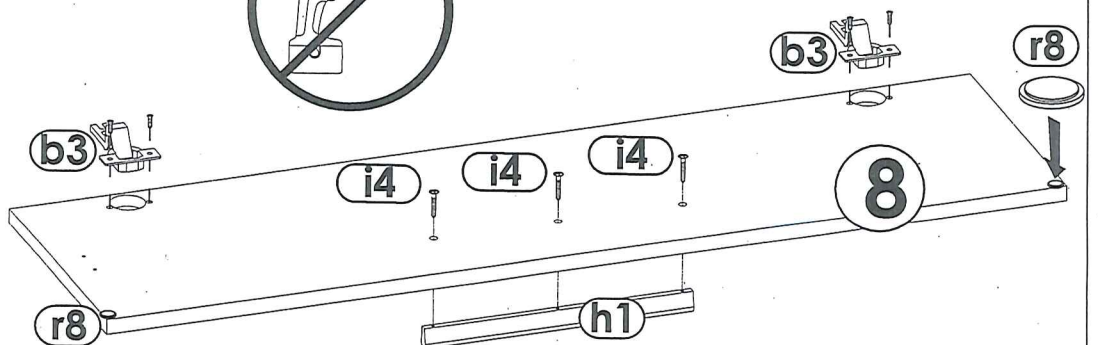
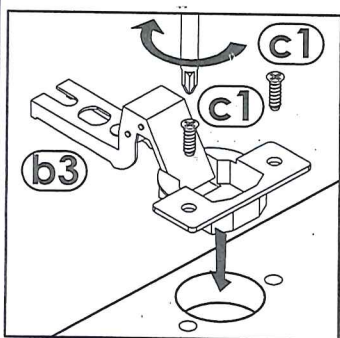
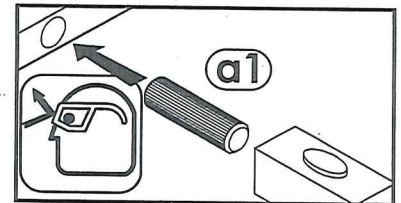
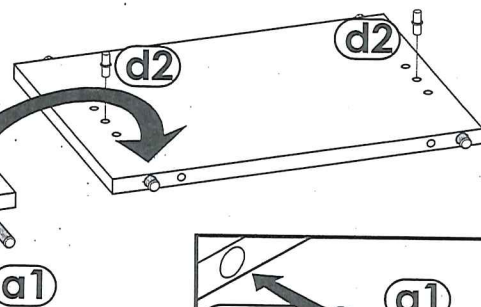
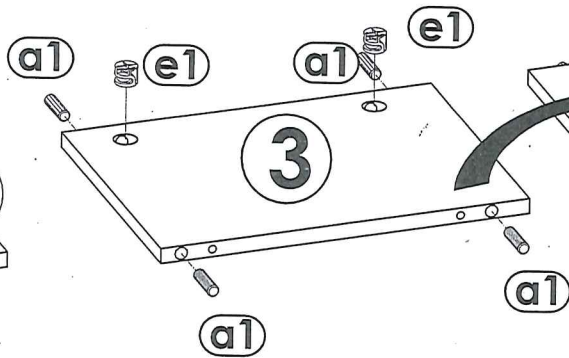
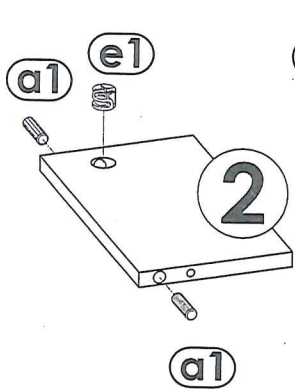
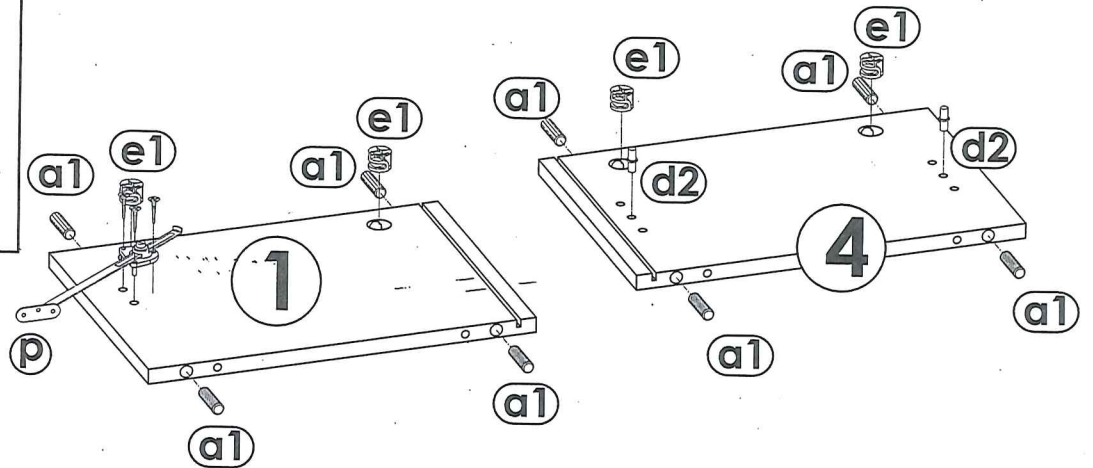
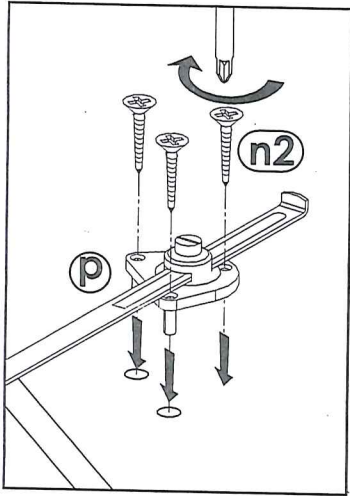
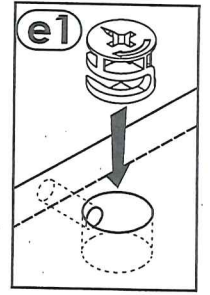
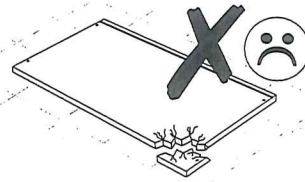
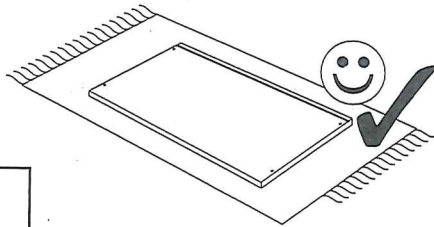


# STOCKHOLM

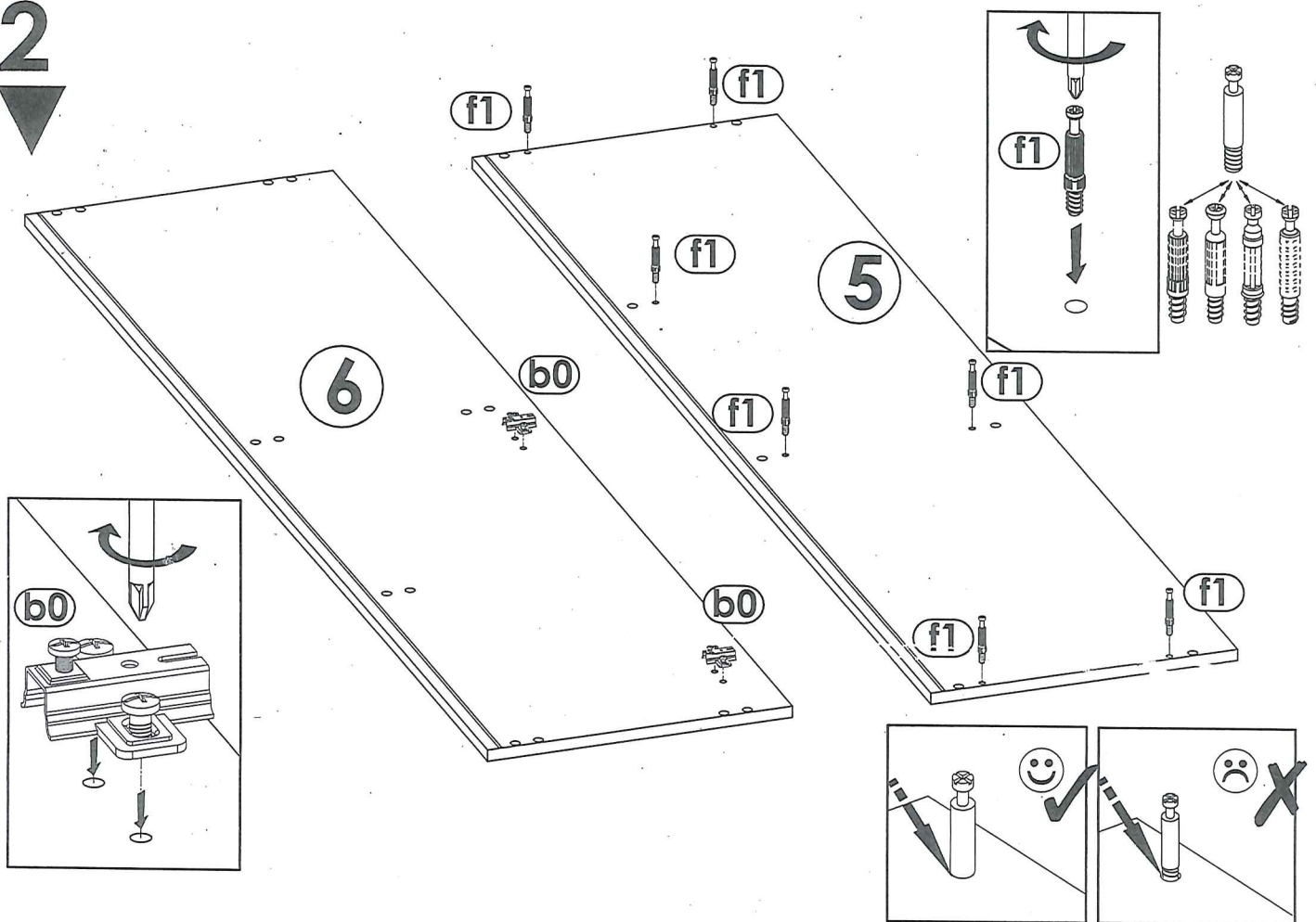
## TV UNIT + PANEL



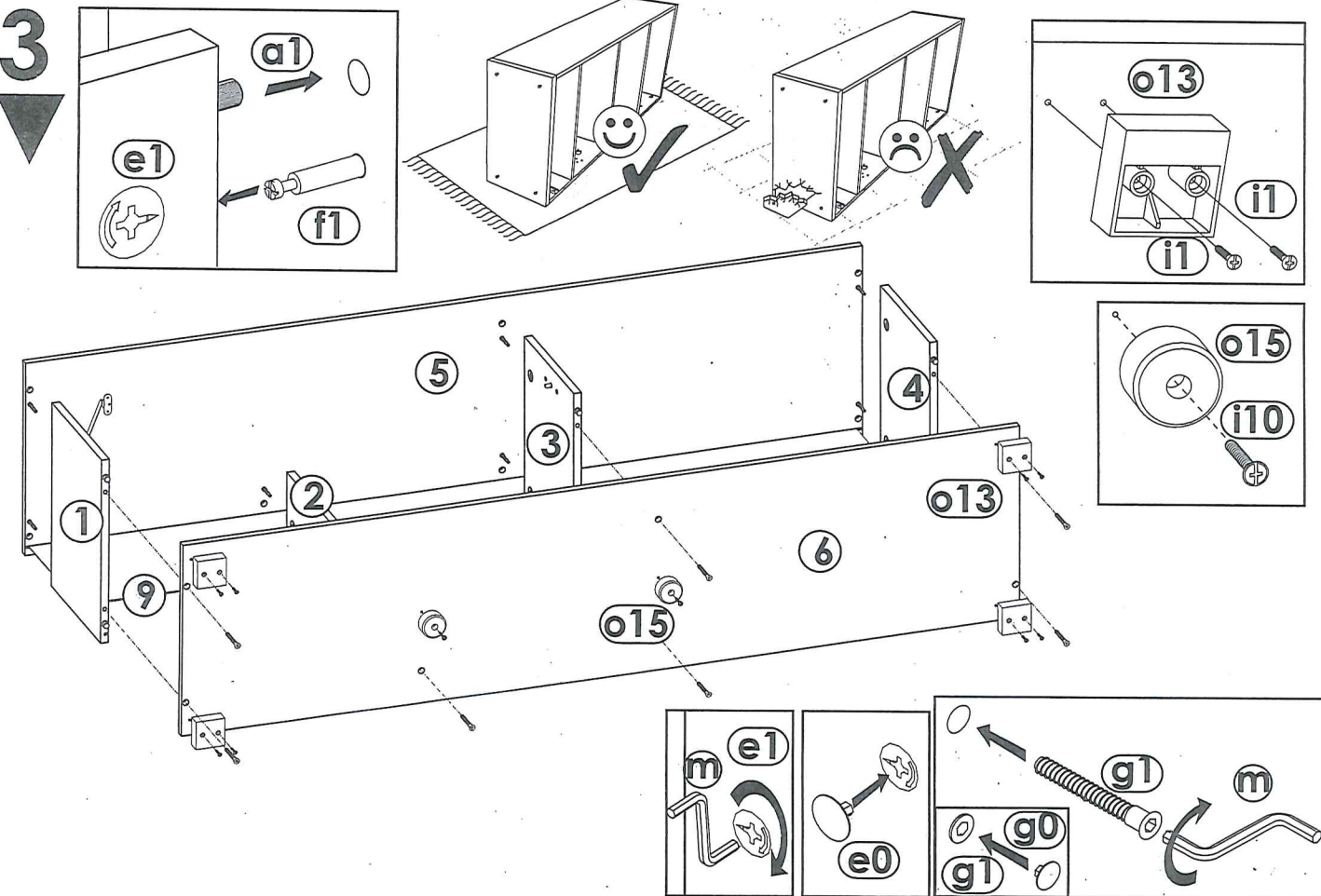
1



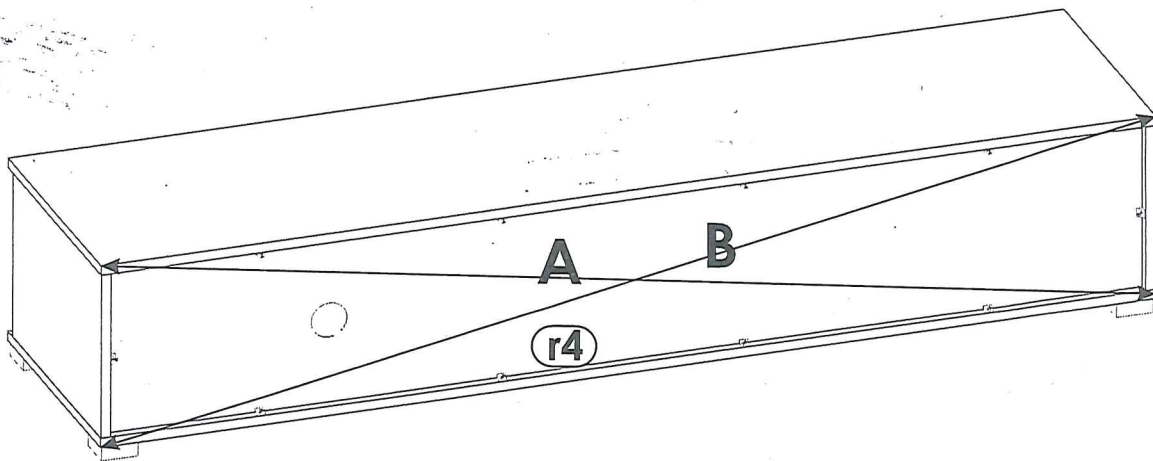
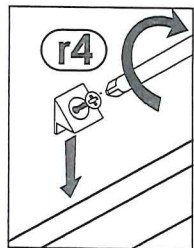
# 2



# 3

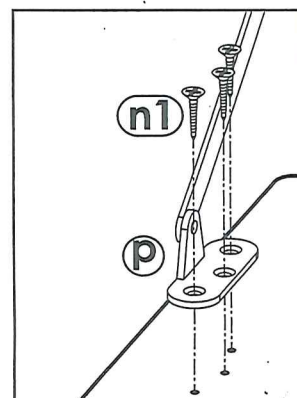
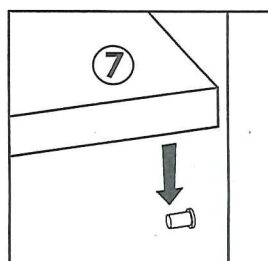
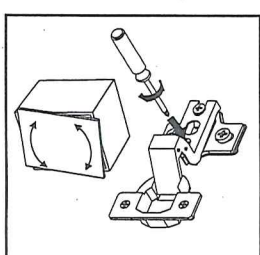
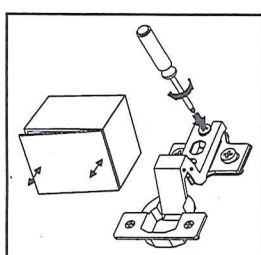
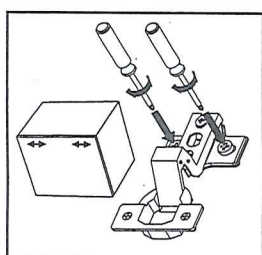
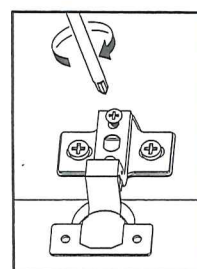
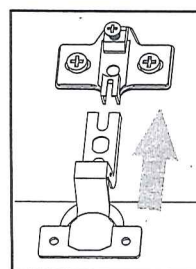
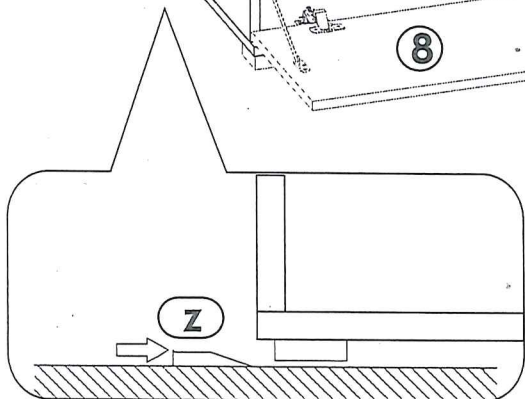
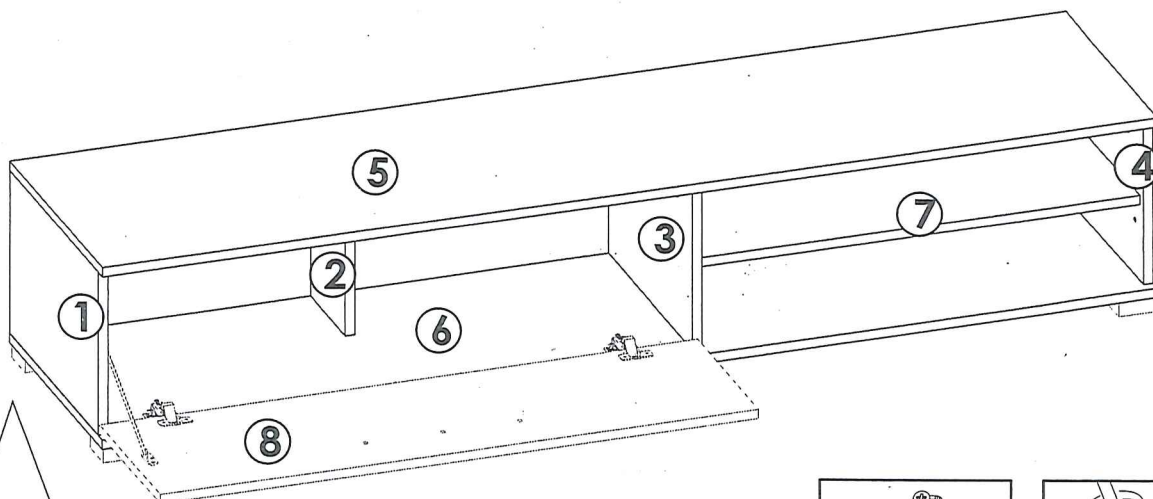


4  
▼

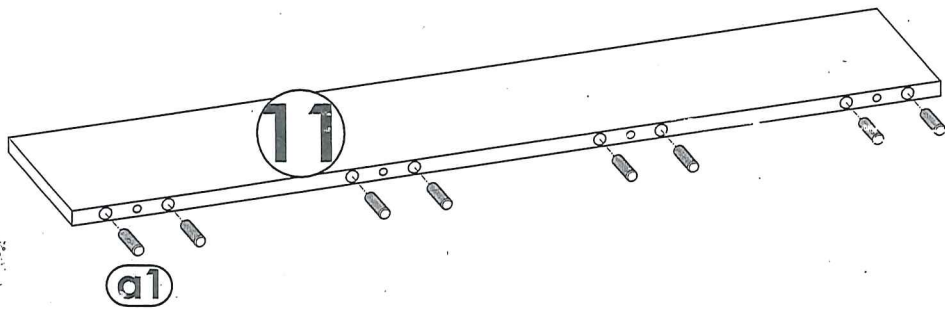
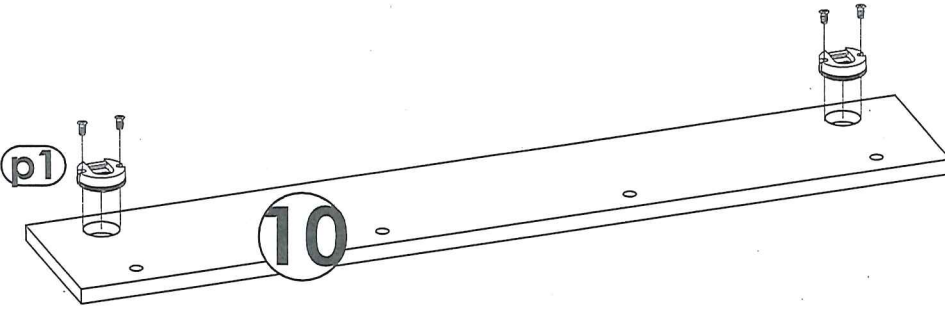
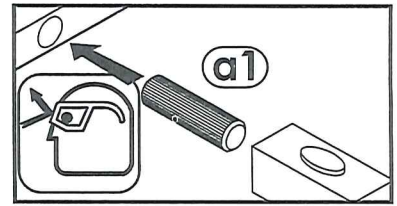
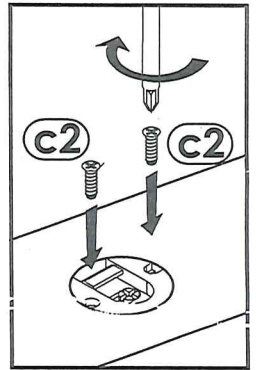
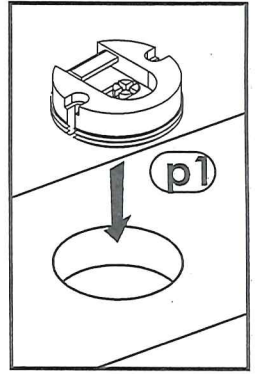
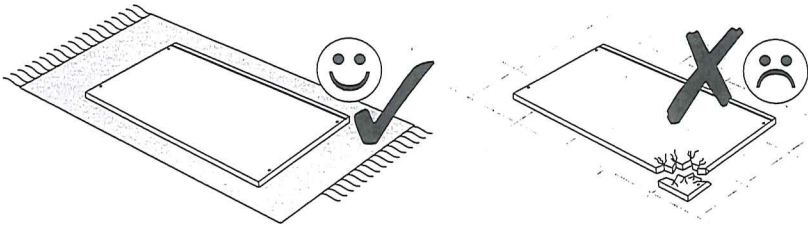


A=B

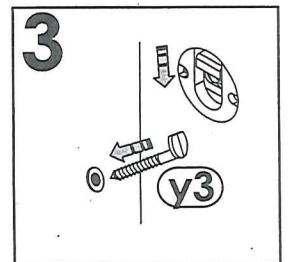
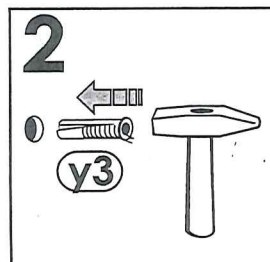
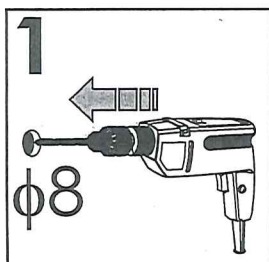
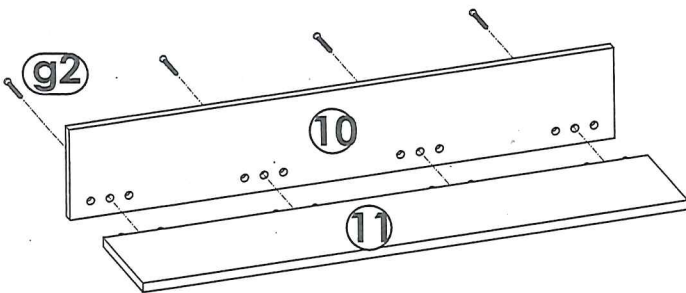
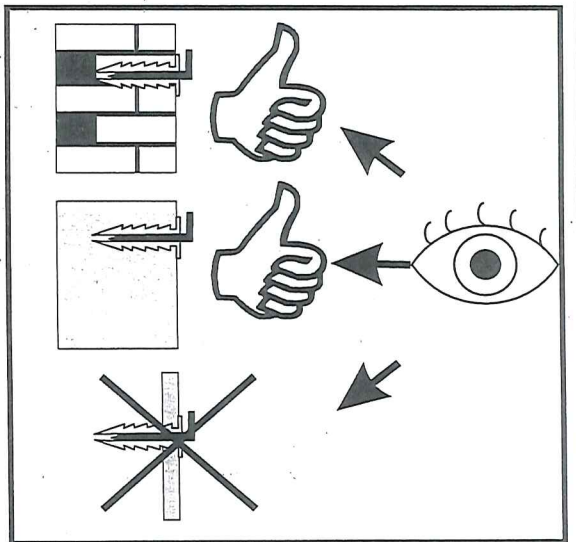
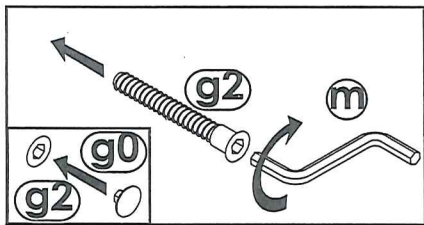
5  
▼



6



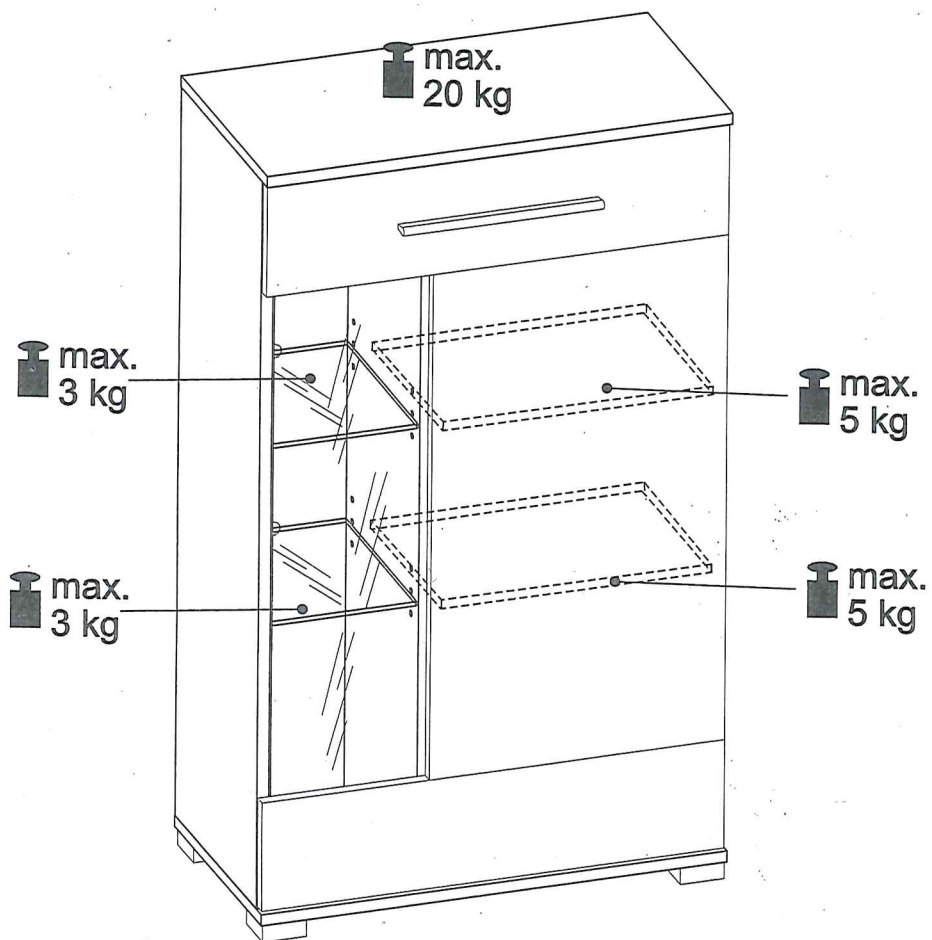
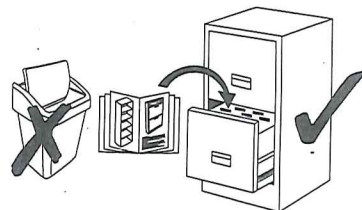
7



# 9490-7-B

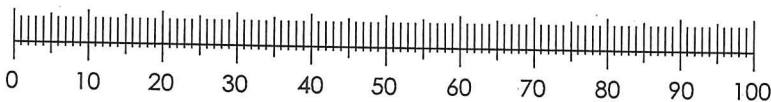
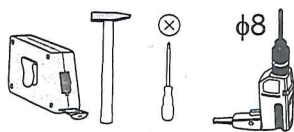
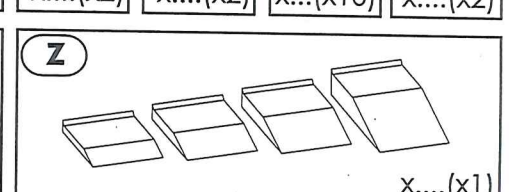
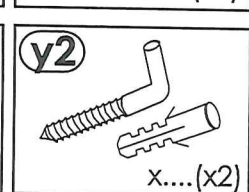
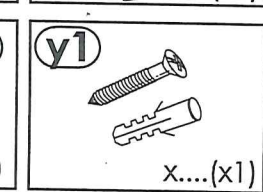
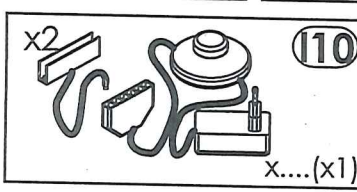
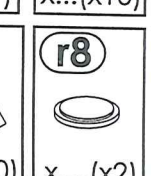
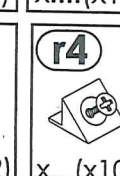
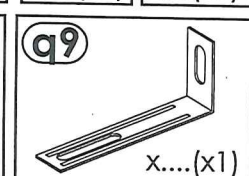
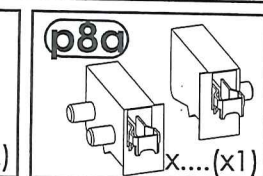
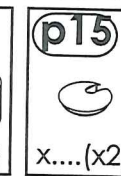
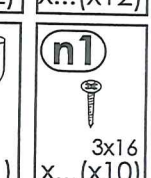
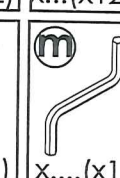
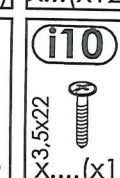
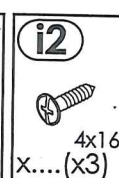
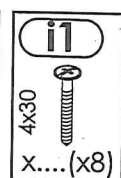
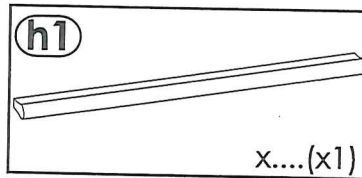
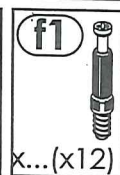
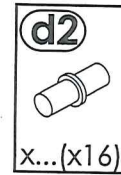
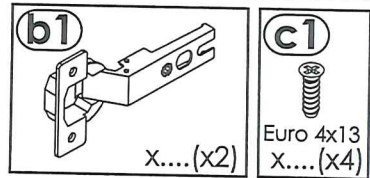
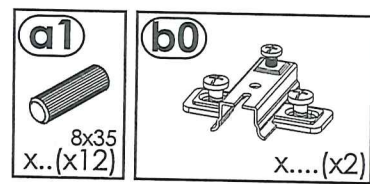
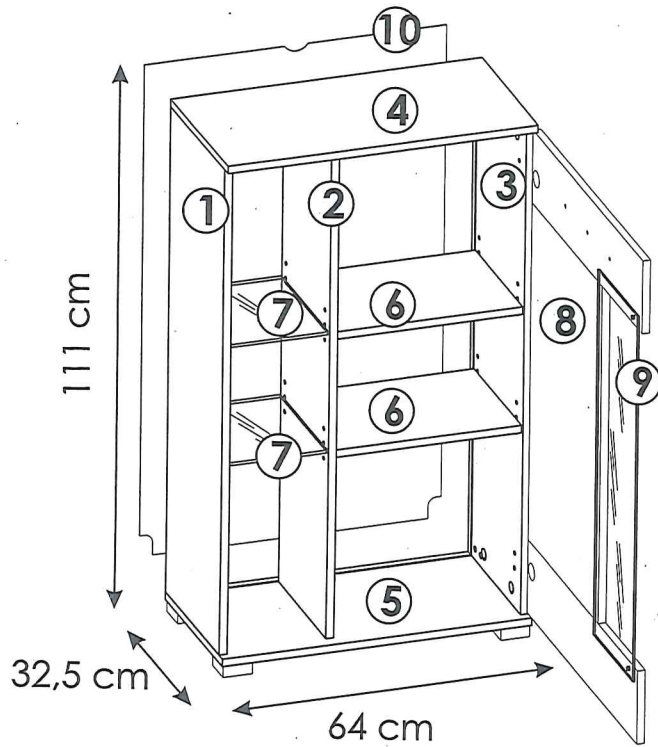
## STOCKHOLM

## GLASS UNIT

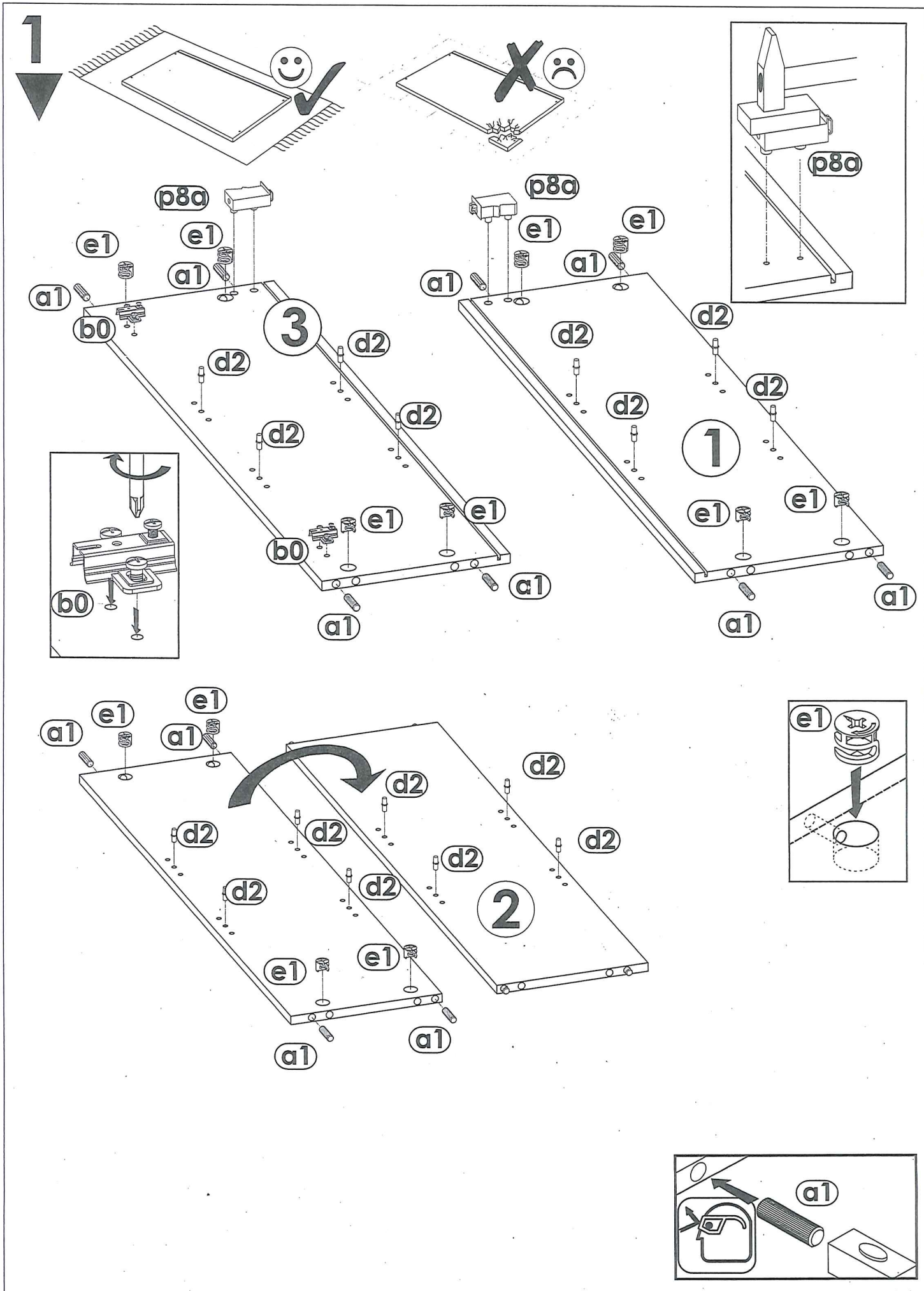


# STOCKHOLM

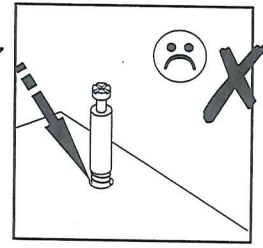
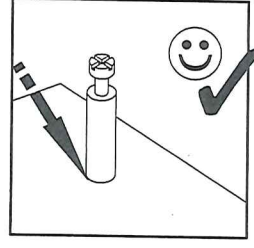
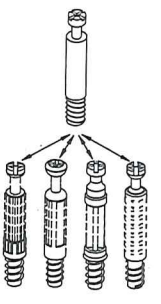
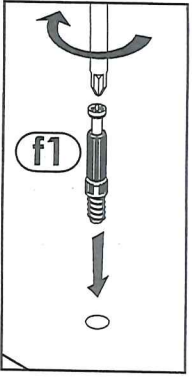
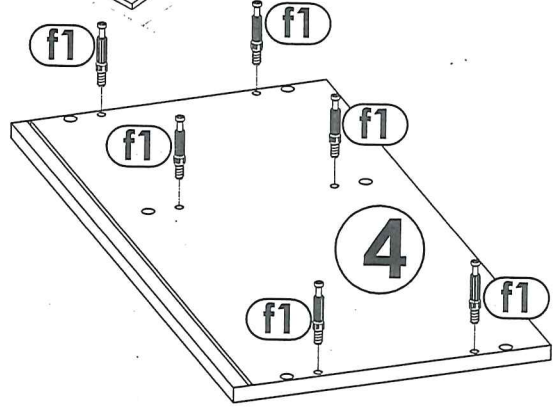
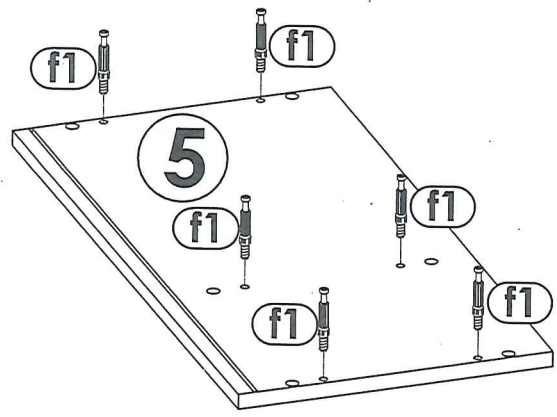
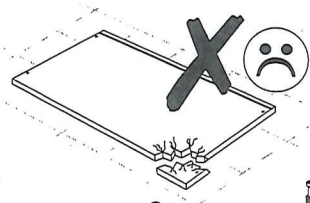
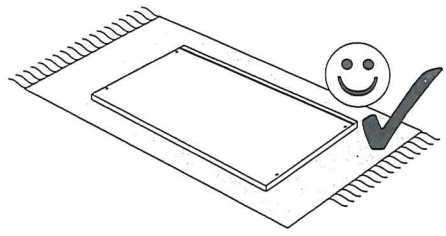
## GLASS UNIT



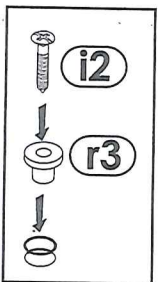
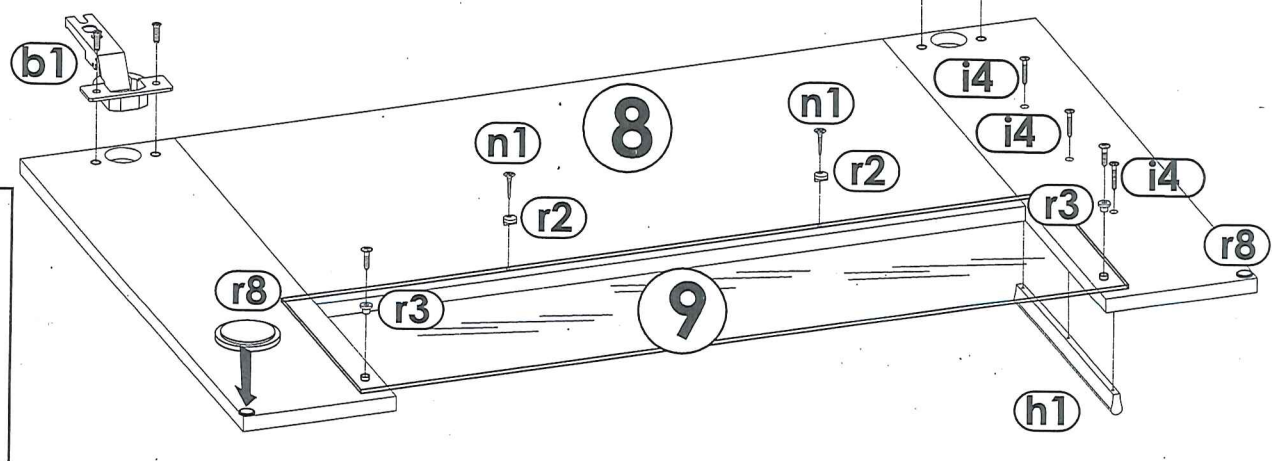
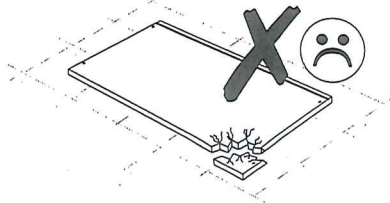
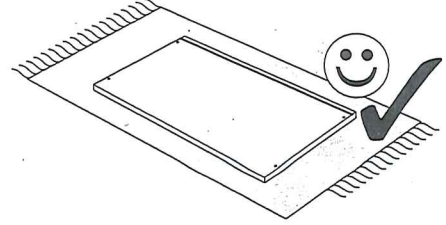
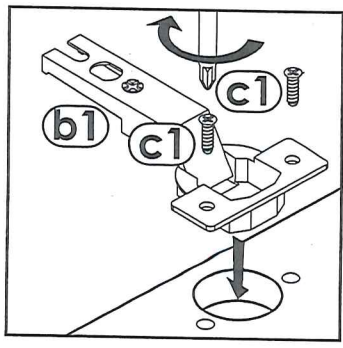




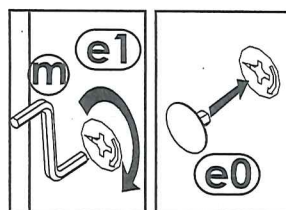
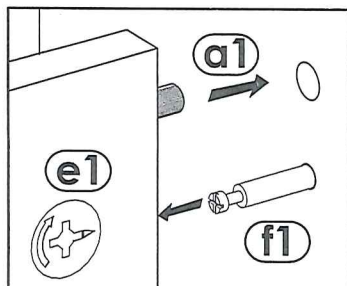
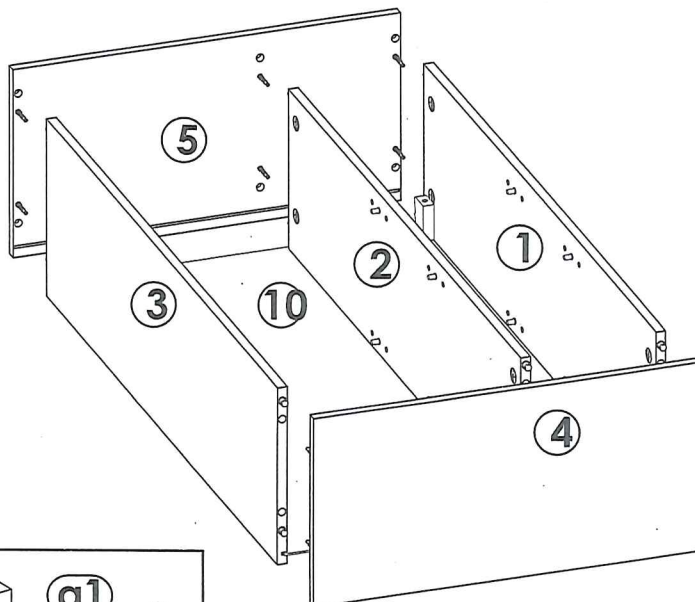
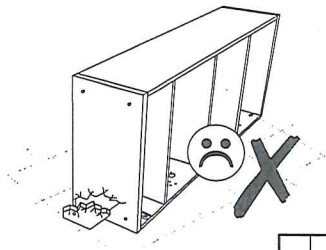
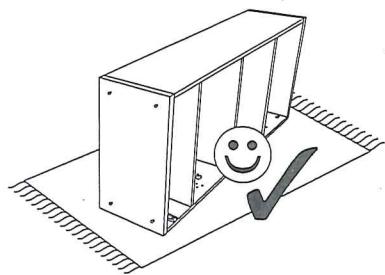
2



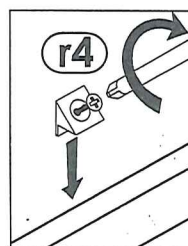
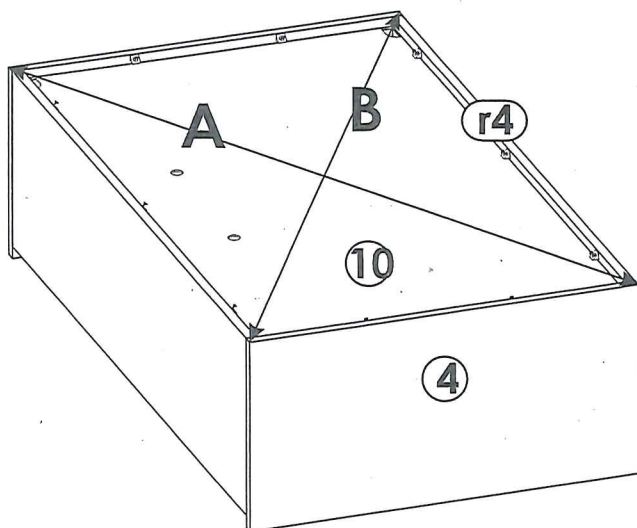
3



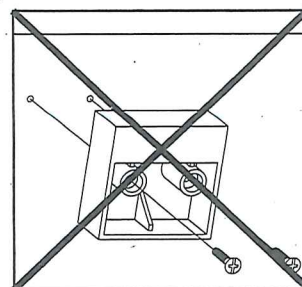
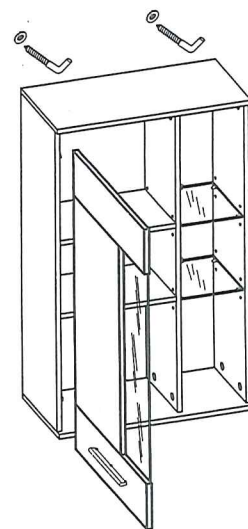
4  
▼



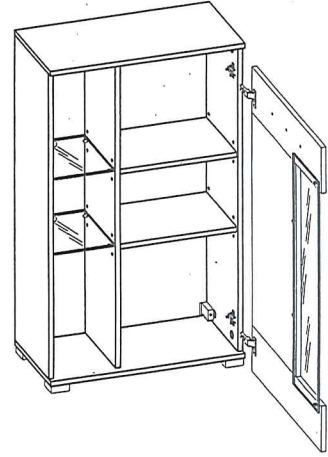
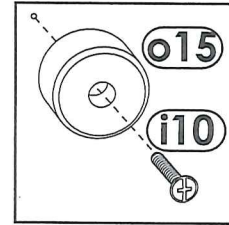
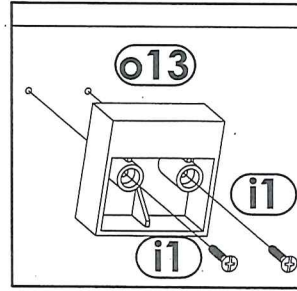
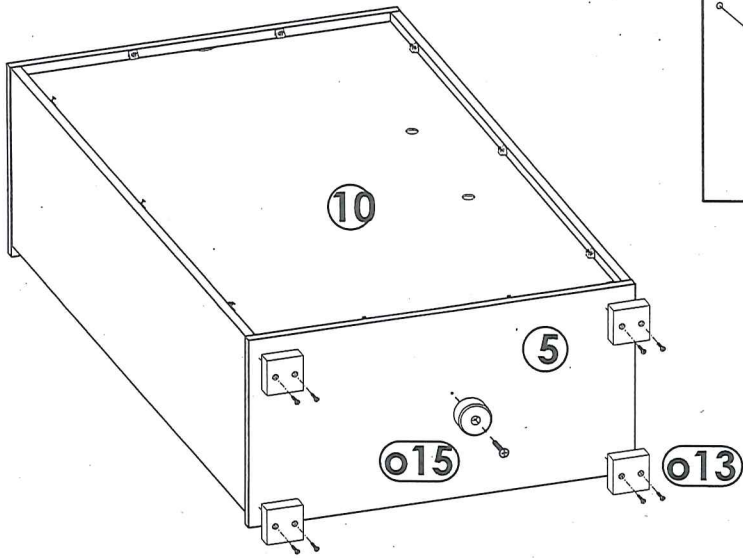
5  
▼



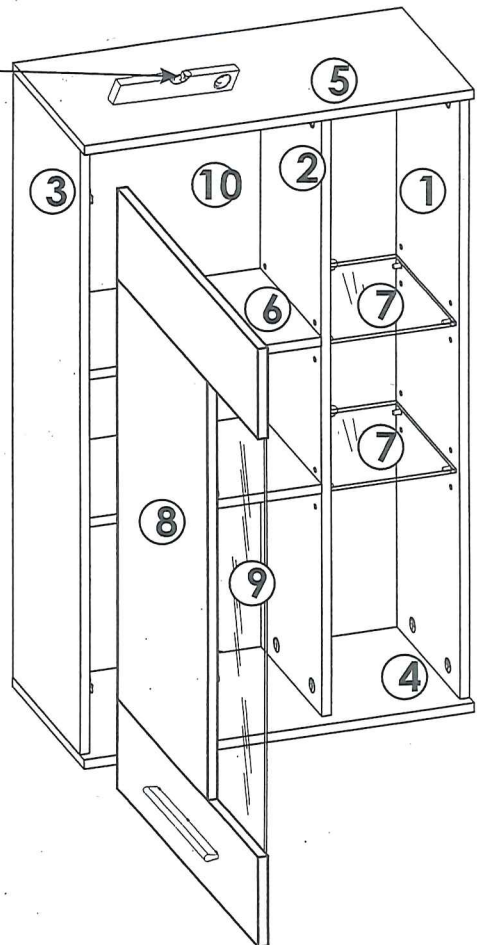
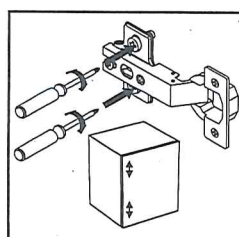
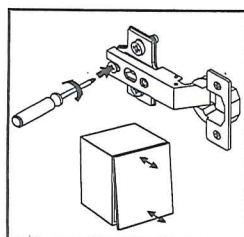
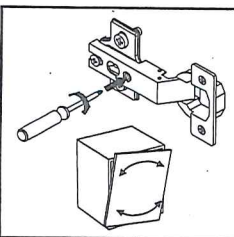
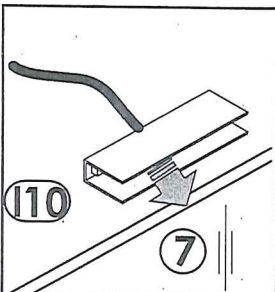
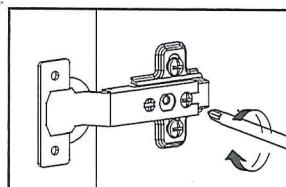
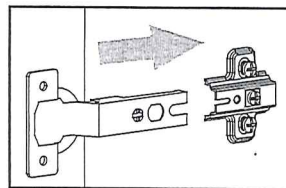
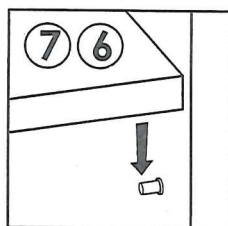
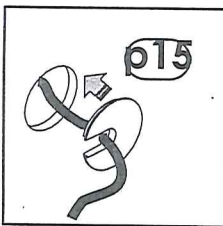
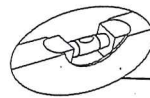
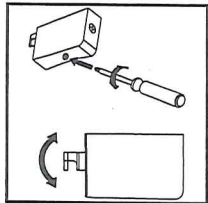
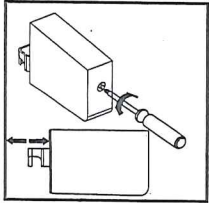
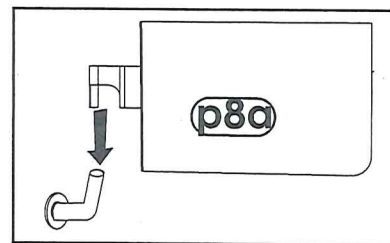
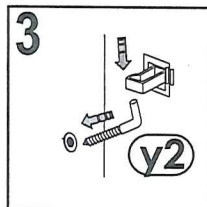
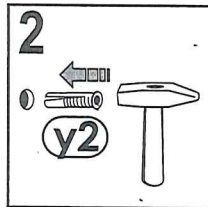
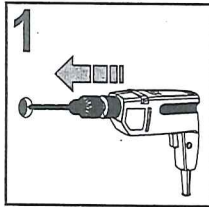
$A=B$



6



7



# 8

