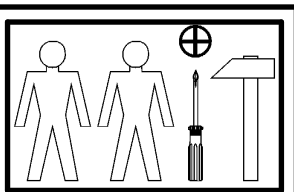
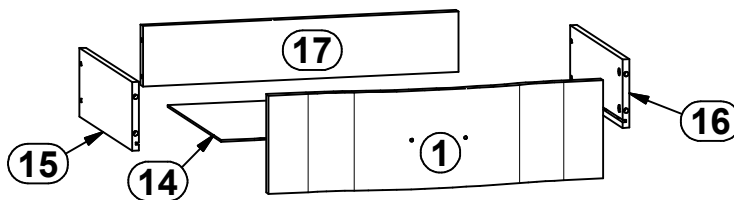
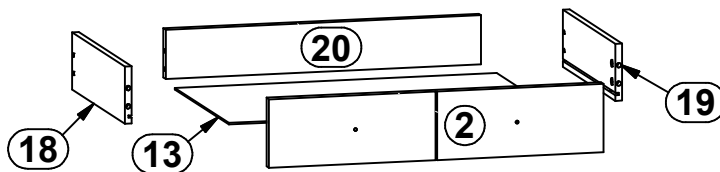
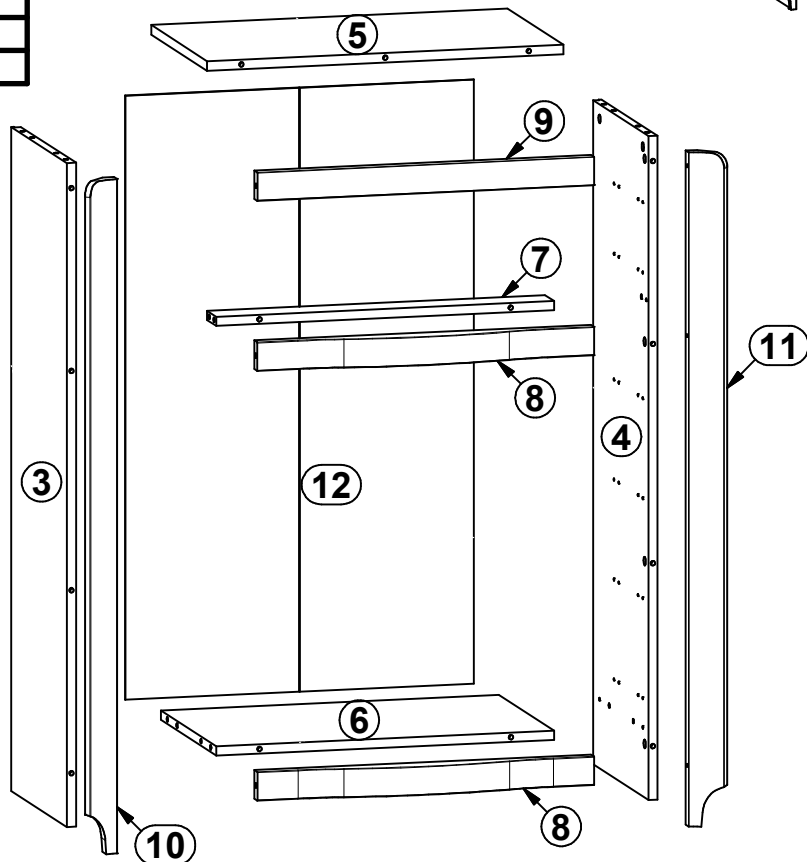
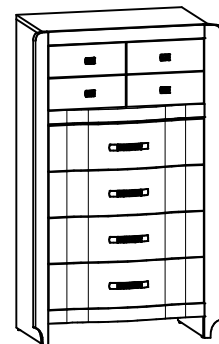


ALEVEL

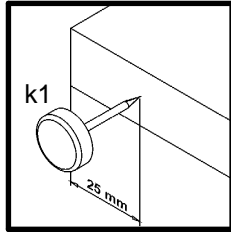
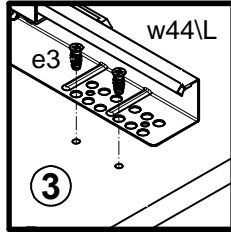
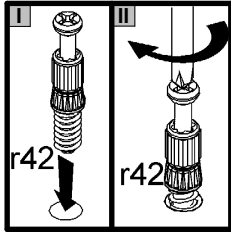
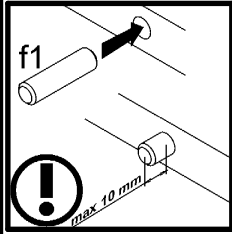
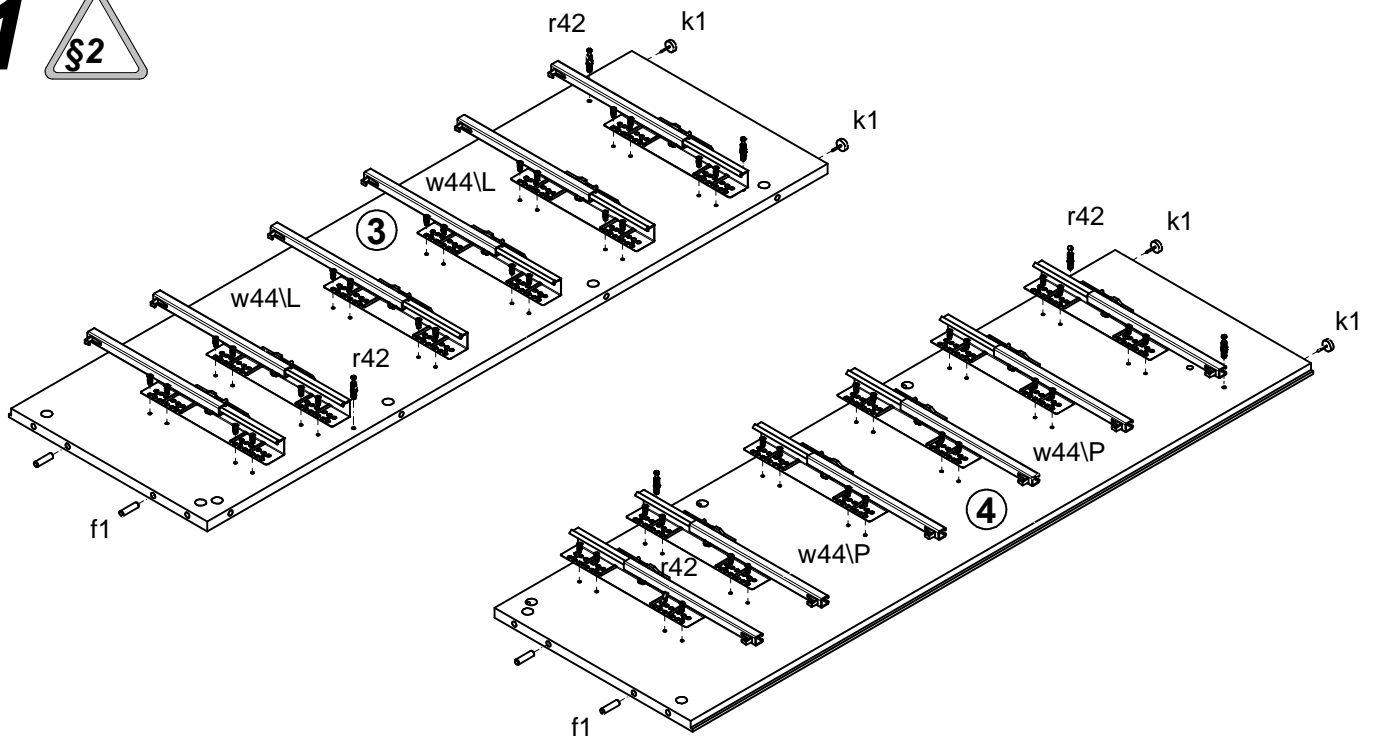
S113-KOM6S

A	B	C	D	A	B	C	D		
1	S113-014	596	172	5/6	13	S113-920	573	358	1/6
2	S113-015	596	120	6/6	14	S113-921	573	377	1/6
3	S113-122	1162	371	1/6	15	ZQ1-501	350	120	1/6
4	S113-123	1162	371	1/6	16	ZQ1-502	350	120	1/6
5	S113-206	635	371	1/6	17	ZQ1-518	562	106	1/6
6	S113-324	602	367	1/6	18	ZQ1-531	350	100	1/6
7	S113-404	602	60	1/6	19	ZQ1-532	350	100	1/6
8	S113-513	600	50	2/6	20	ZQ1-533	562	86	1/6
9	S113-514	600	50	1/6					
10	S113-588	1180	75	3/6					
11	S113-589	1180	75	3/6					
12	S113-919	1057	621	1/6					

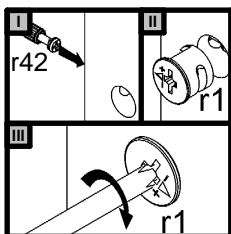
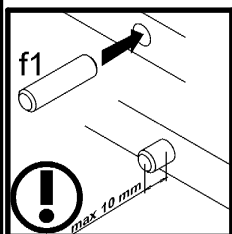
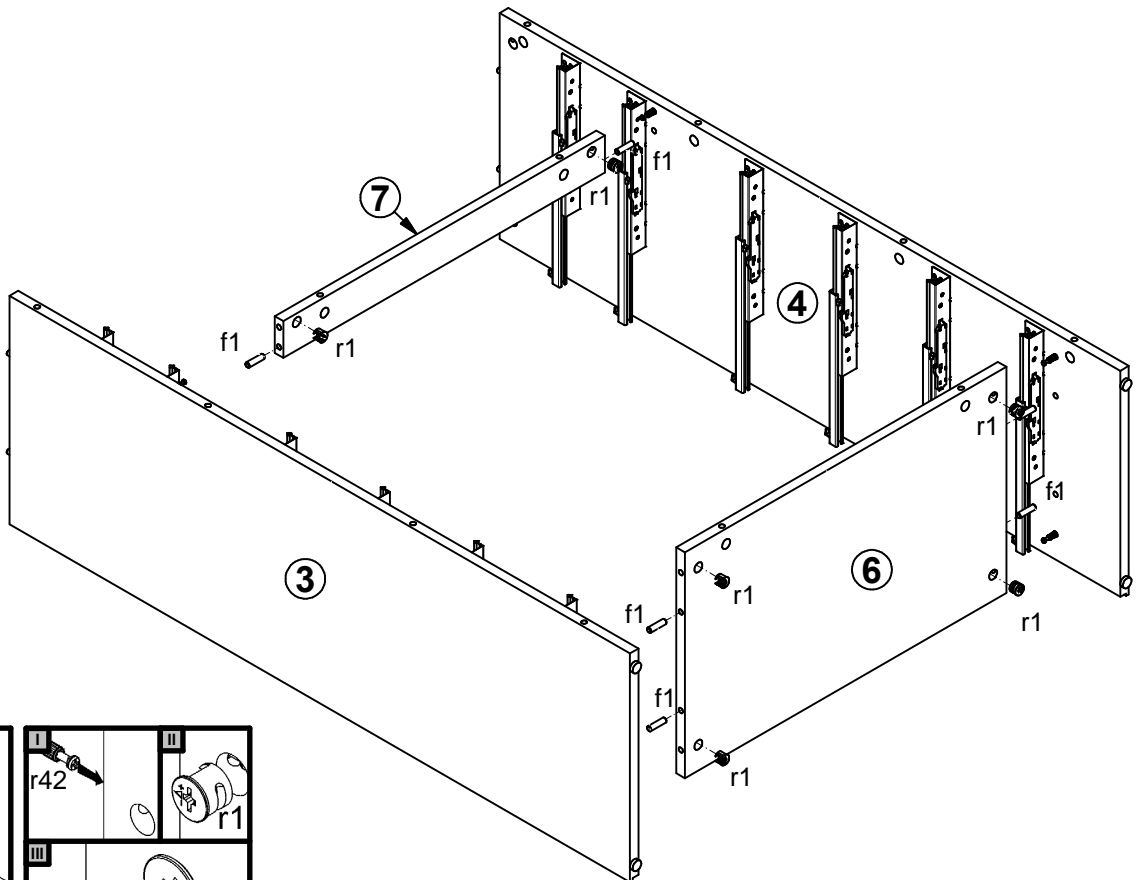


4x c305\1	4x c305\2	48x φ6x13 mm e3	10x φ8x30 mm f1	24x φ6.5x40 mm f25	12x M4x22 mm j30	4x k1	35x l1	6x φ3.5x16 mm p25
6x φ3.5x10 mm p35	24x φ3.5x16 mm p38	31x φ1.5x12mm #16 r1	24x φ12x10.5mm #12 r15	55x r42	2x 350 mm t35	4x 370 mm t39	6x 350 mm w44\L	6x 350 mm w44\P
4x ø16 s2	1x n26\1	1x φ3.5x16 mm p38						

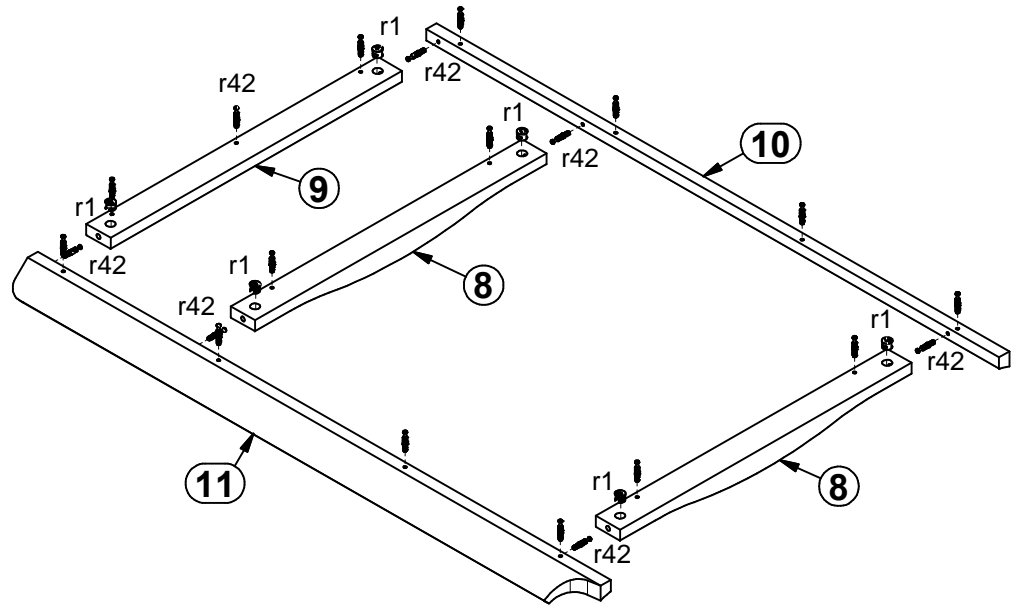
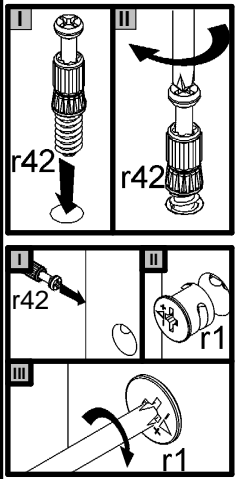
1



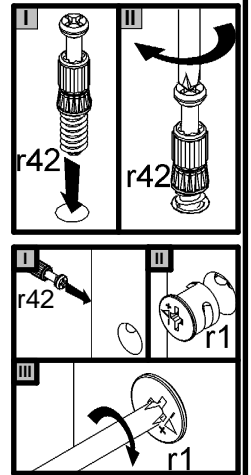
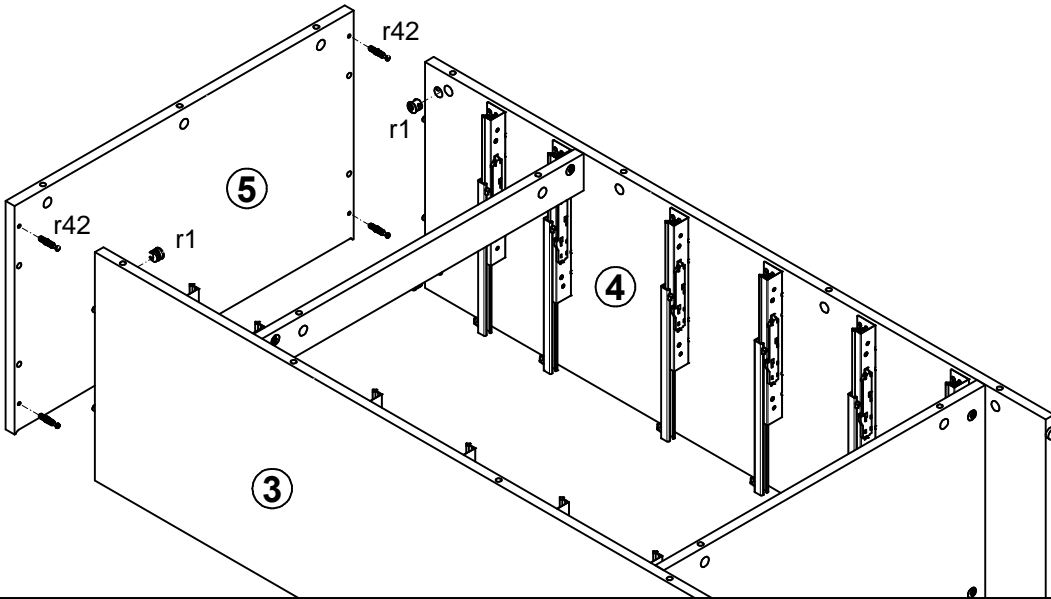
2



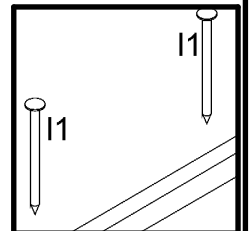
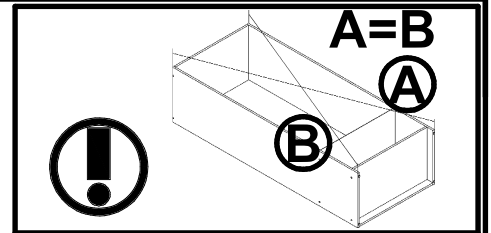
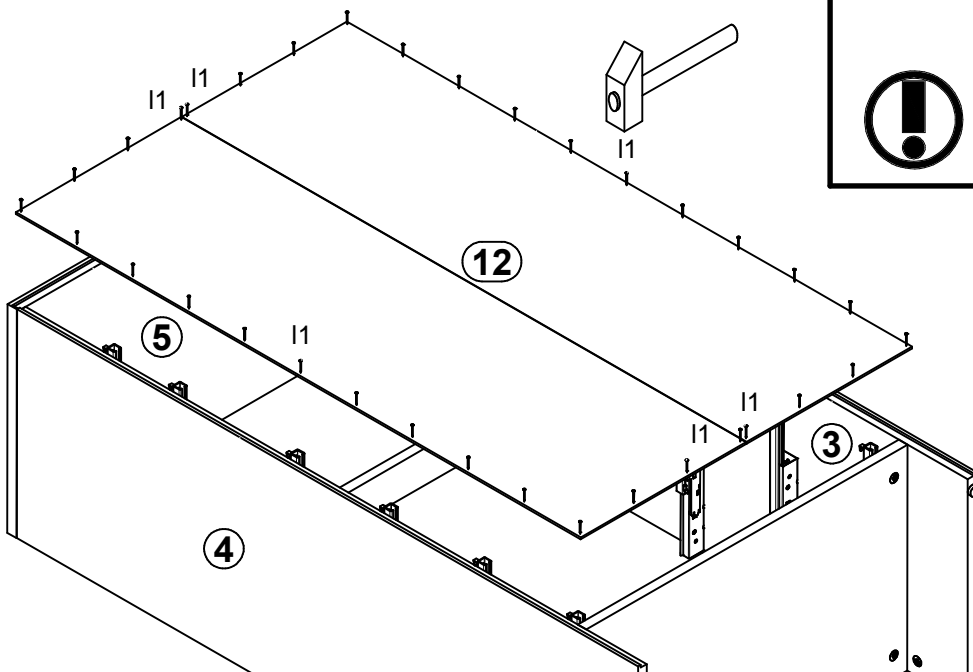
3



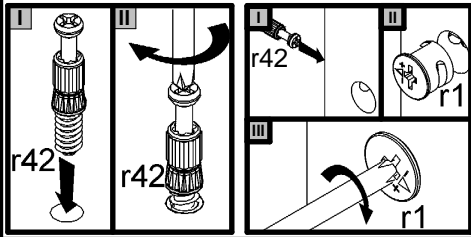
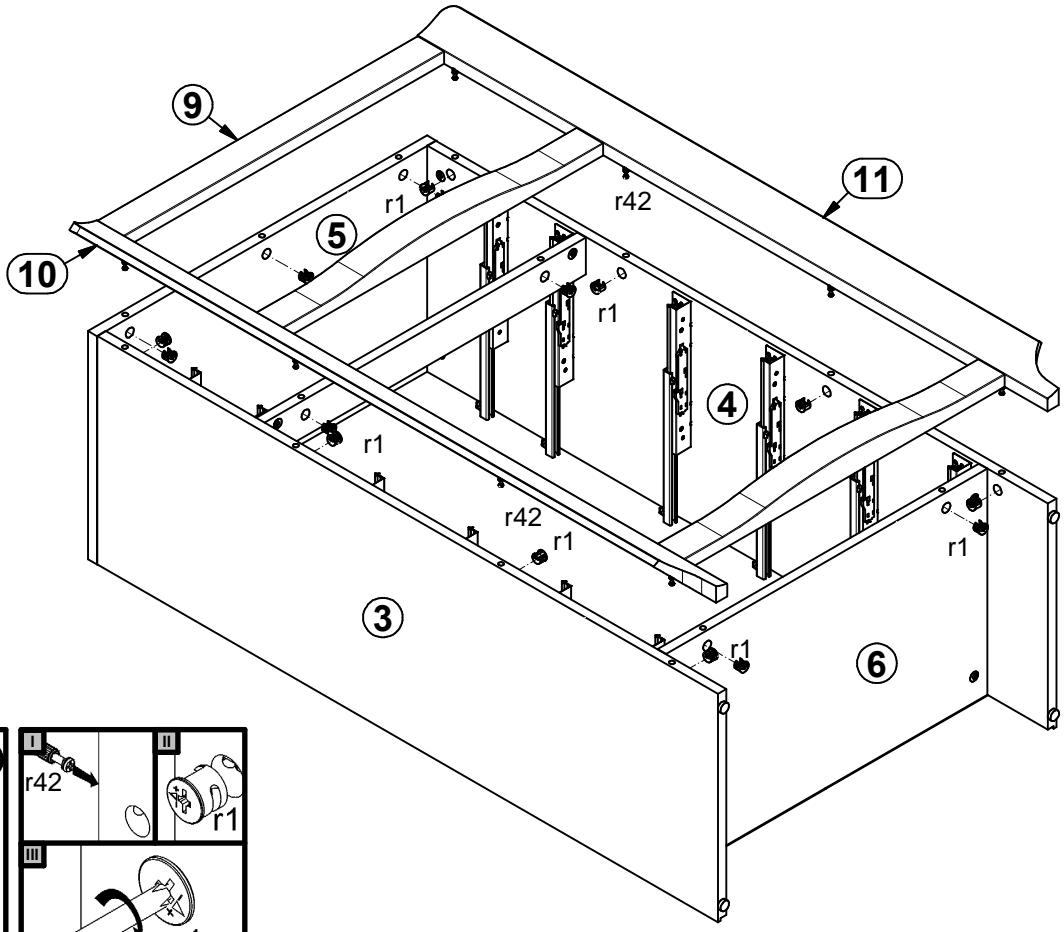
4



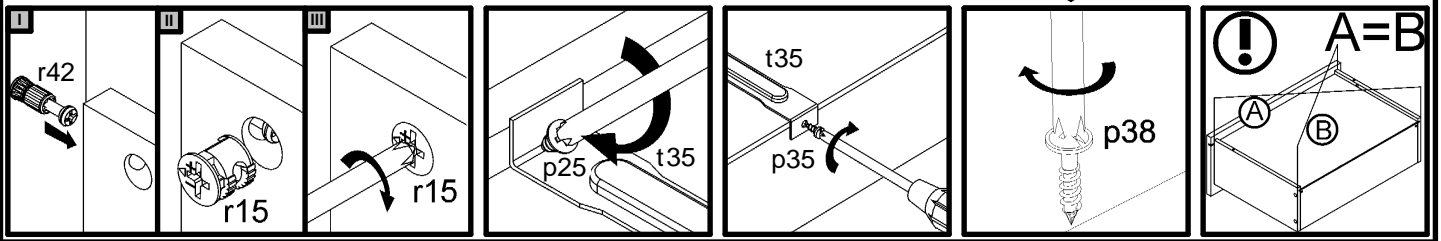
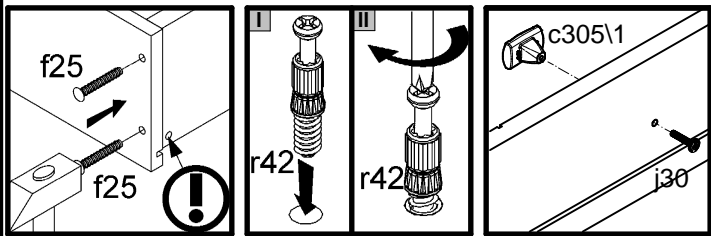
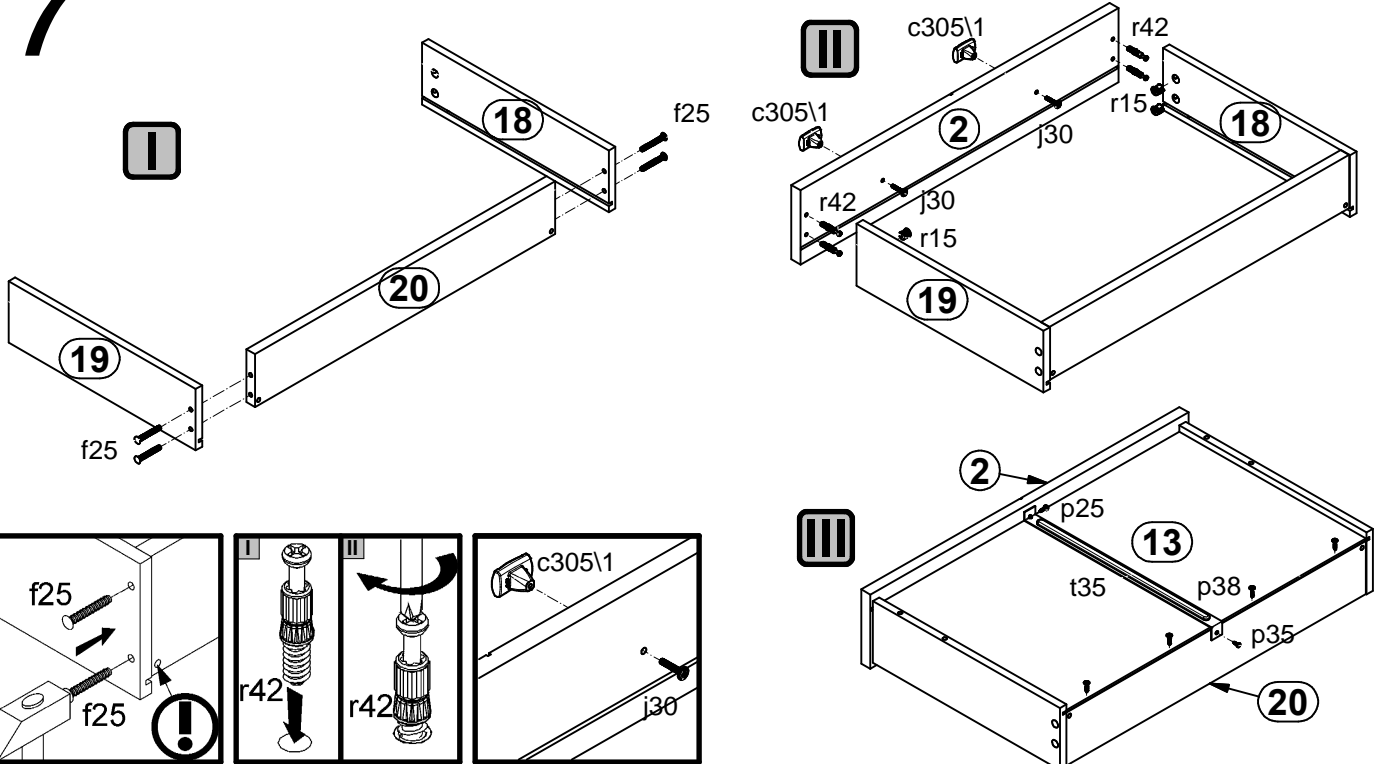
5



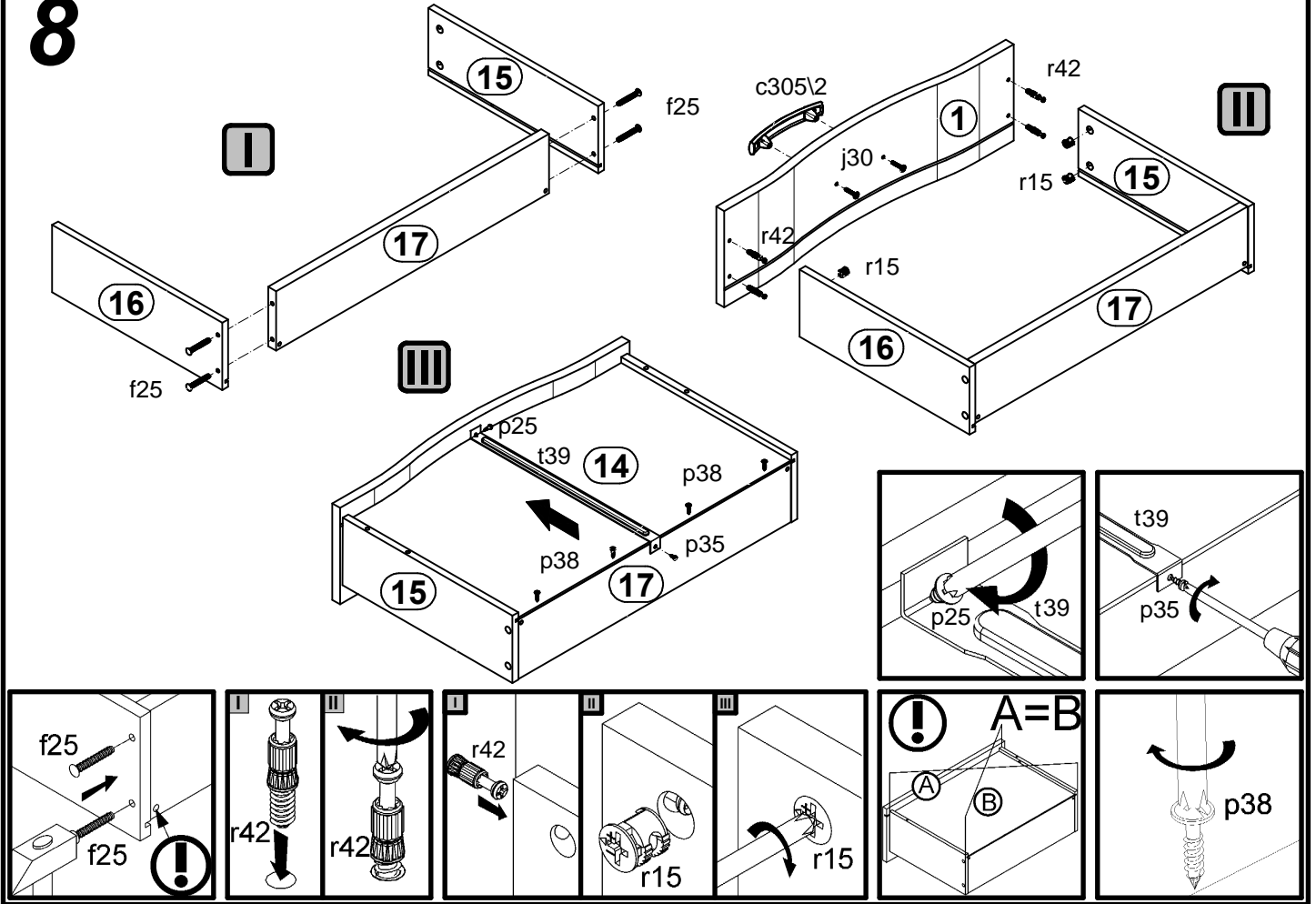
6



7



8



9

