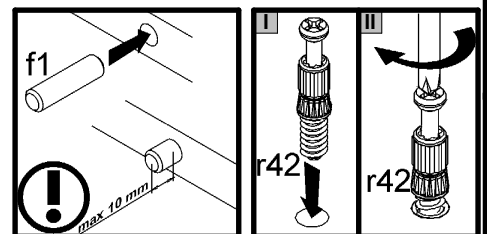
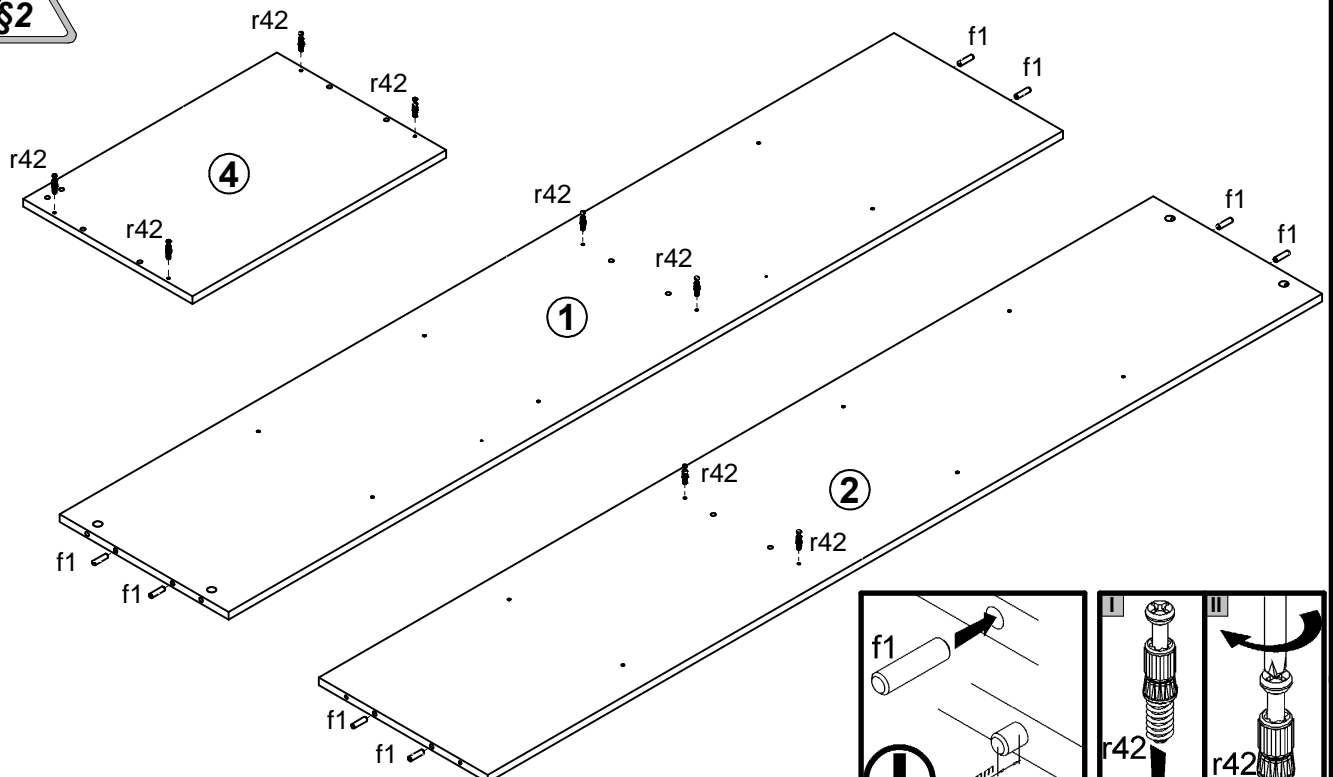
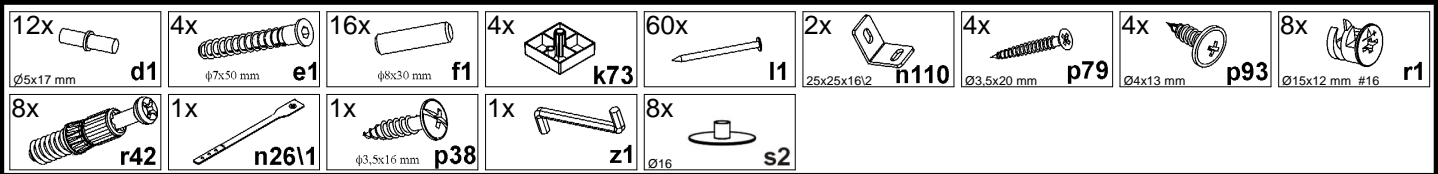
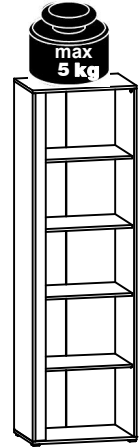
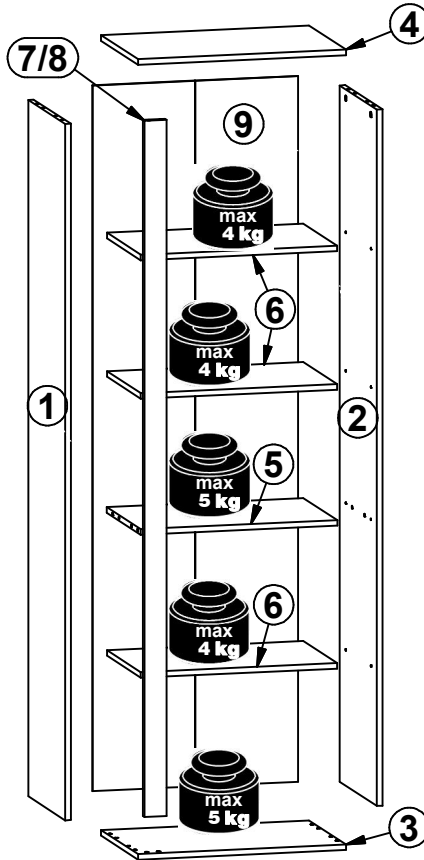
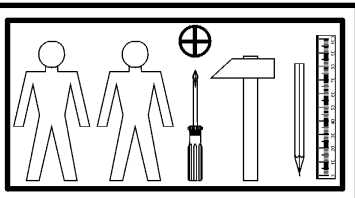


# A

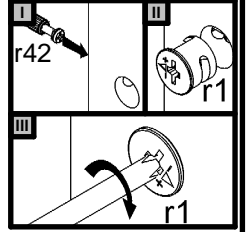
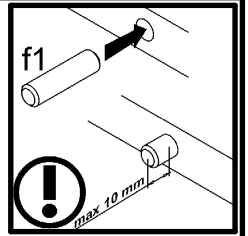
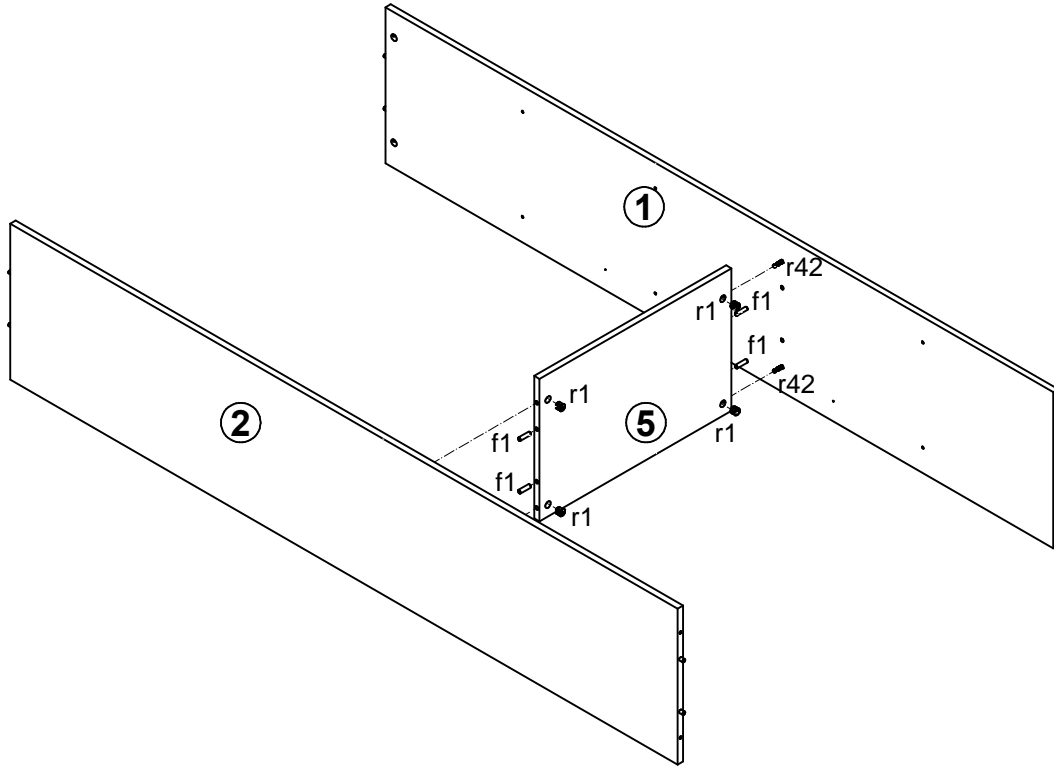
# GRAPHIC

# S343-REG/57P

A	B	C	D	
1	S343-1015	1875	380	1\1
2	S343-1016	1875	380	1\1
3	S343-2015	570	380	1\1
4	S343-2016	570	380	1\1
5	S343-3004	539	347	1\1
6	S343-3005	538	347	1\1
7	S343-4008	1875	60	1\1
8	S343-4009	1875	60	1\1
9	S343-9308	1900	563	1\1



# 2



# 3

