


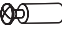



1


T6  x20

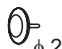
C2  x12


M1  x12


T1  x12


B1  ϕ 8x28mm x14


K1  ϕ 7x50mm x3

C1  ϕ 2 x2


W3  x16


M6  x16

P16  ϕ 4,2x13mm x16

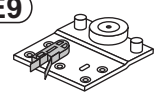
L1  x1

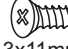
2


F7  x4

S2  ϕ 3,0x13mm x4

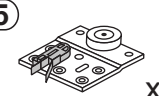
3


E9  x1

E1  ϕ 6,3x11mm x5

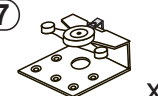
E11  x1


4

E5  x1

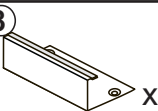
E1  ϕ 6,3x11mm x5


5

E7  x2

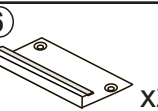
E1  ϕ 6,3x11mm x10


6

E8  x2


E1  ϕ 6,3x11mm x4


7


E6  x2


E1  ϕ 6,3x11mm x4


8

L4  x2

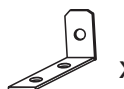
S3  ϕ 3,5x13mm x63


S2  ϕ 3,0x13mm x56

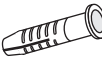
L5  L=2374 mm x3


L1  x1

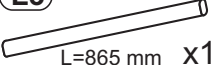
9

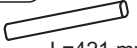
J11  x2

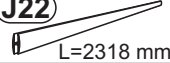
P13  ϕ 3,5x13 mm x4

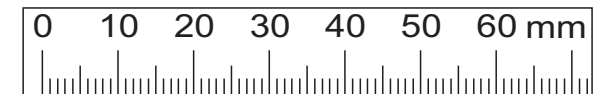
T13  ϕ 8x40 x2

S15  x2

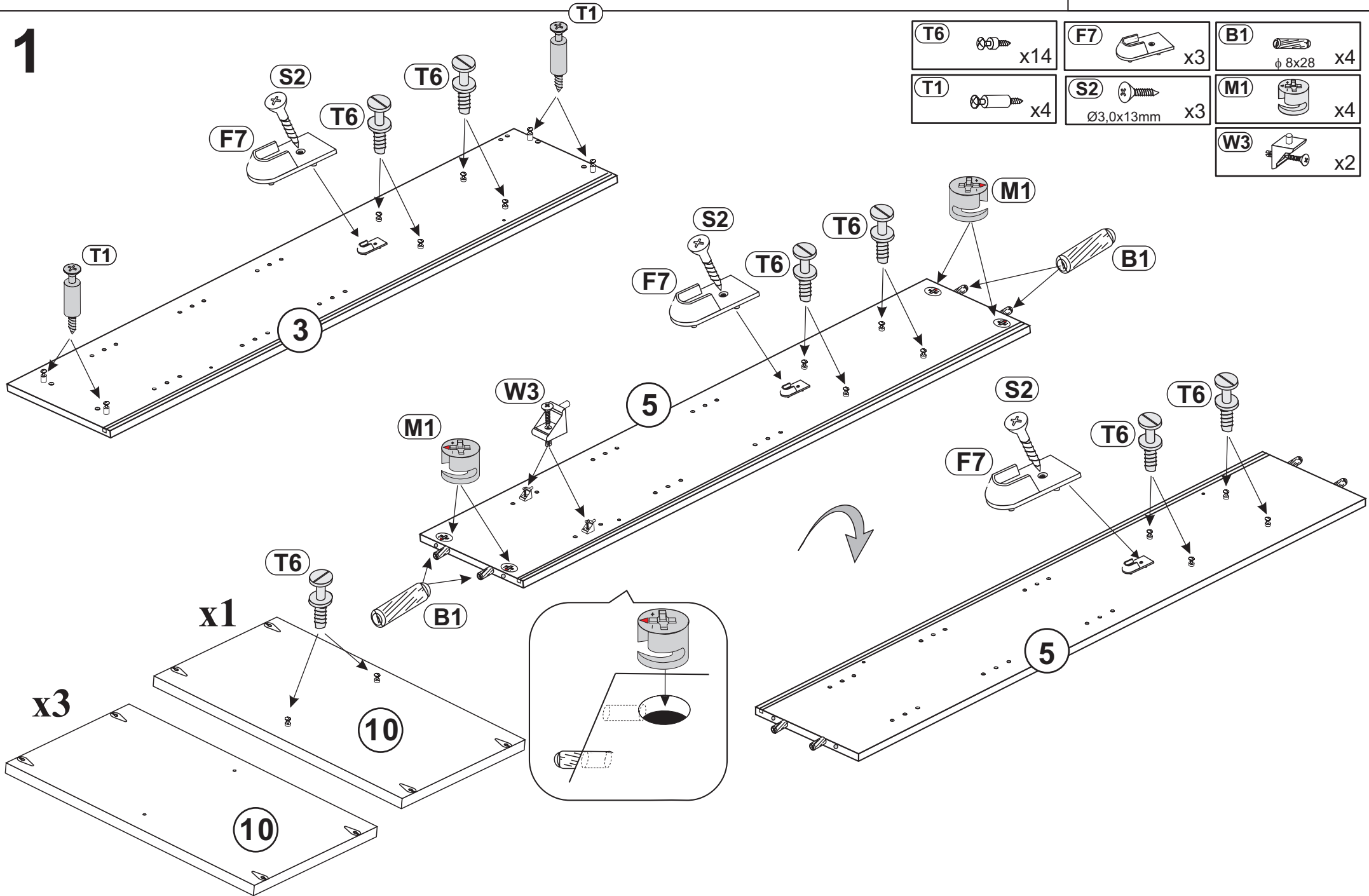
L3  L=865 mm x1

L4  L=421 mm x1

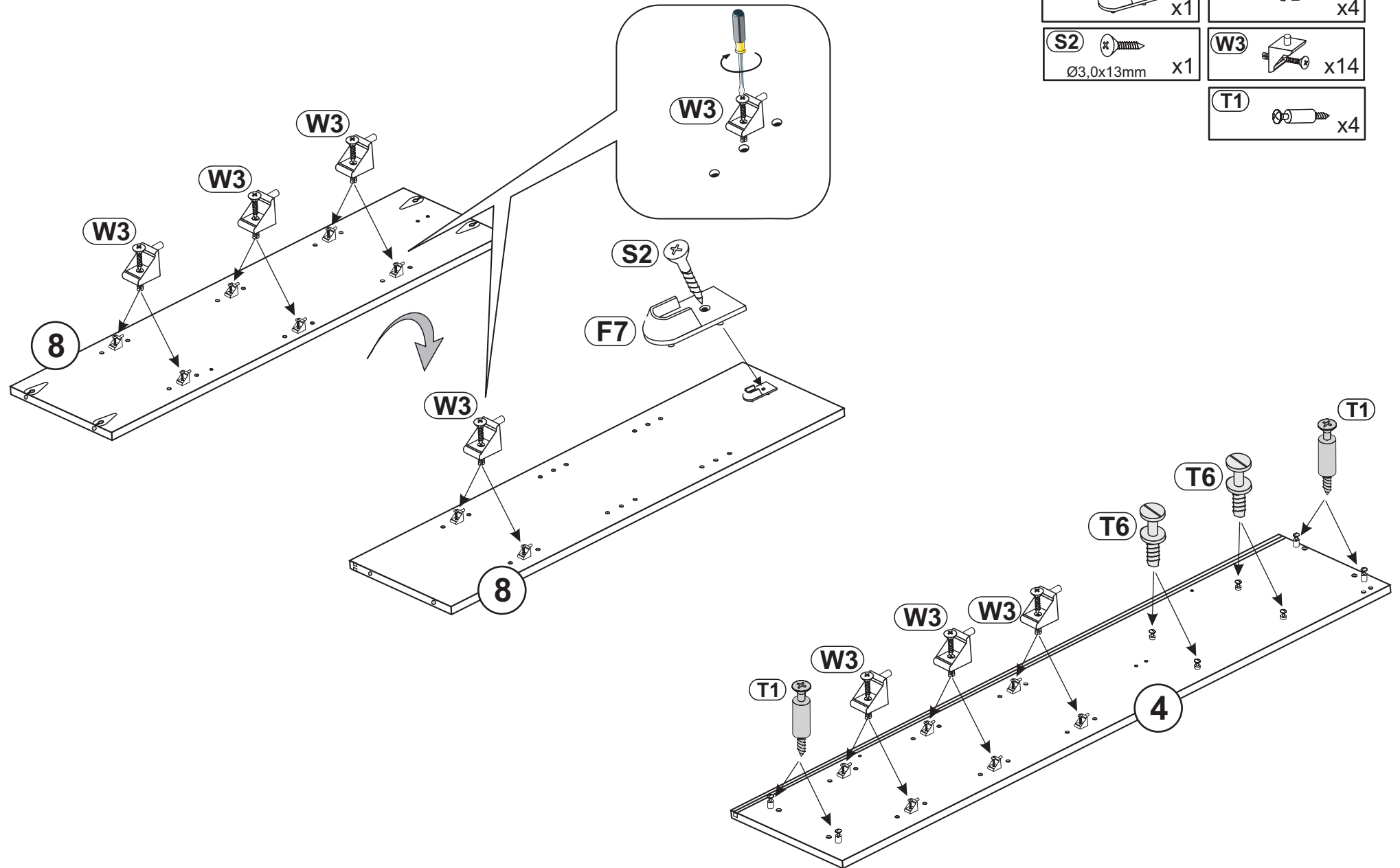
J22  L=2318 mm x2



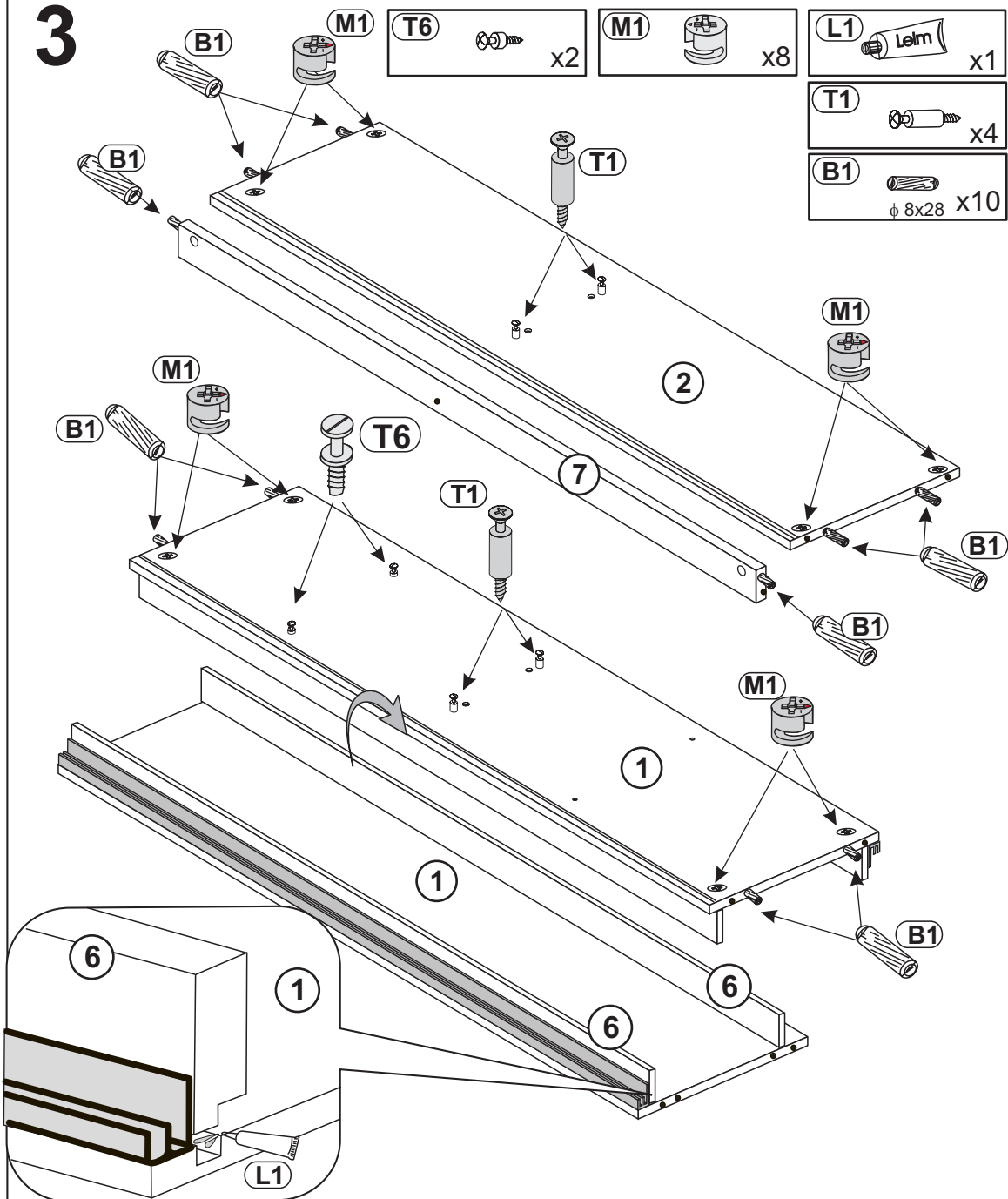
1



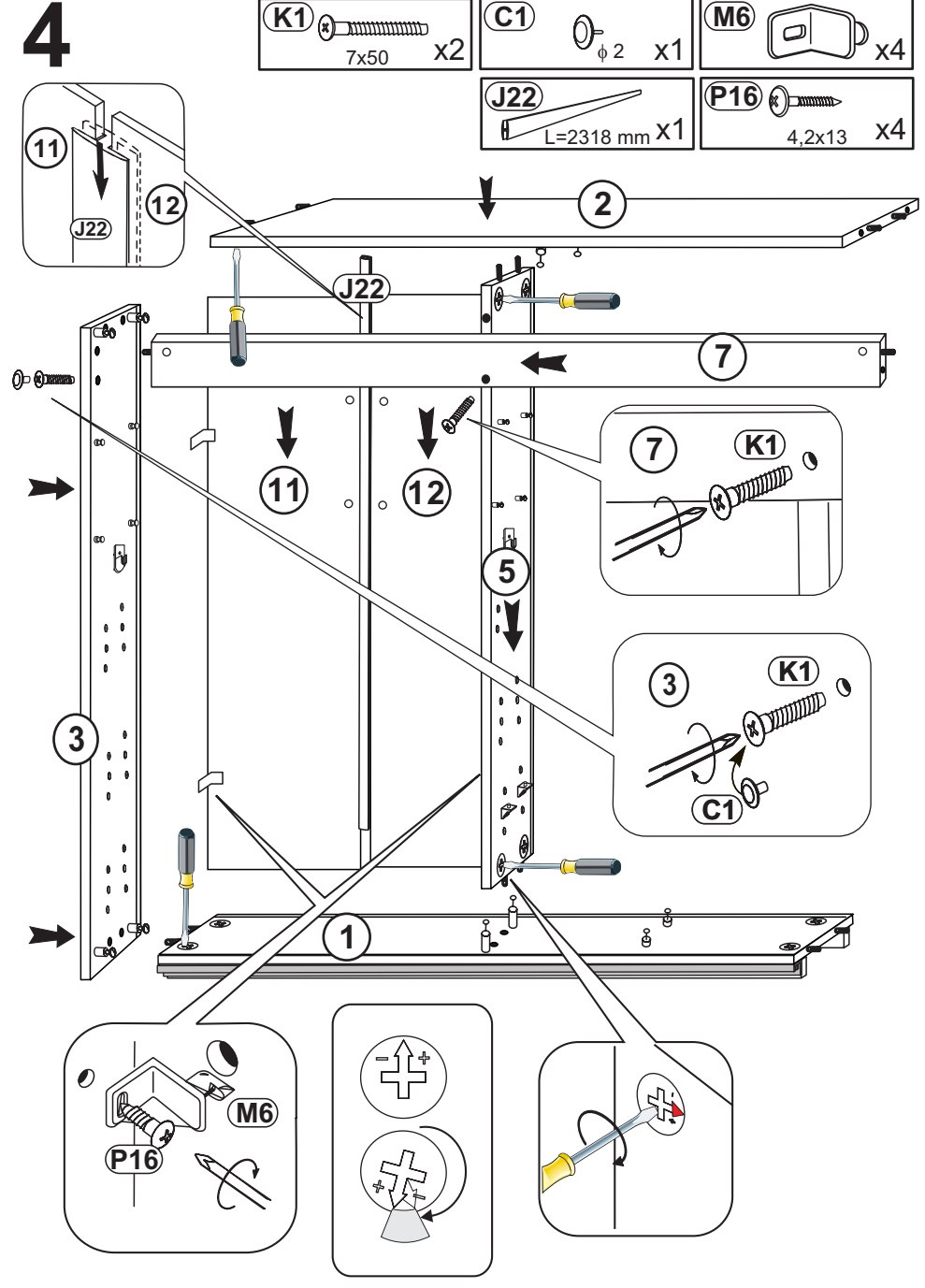
2



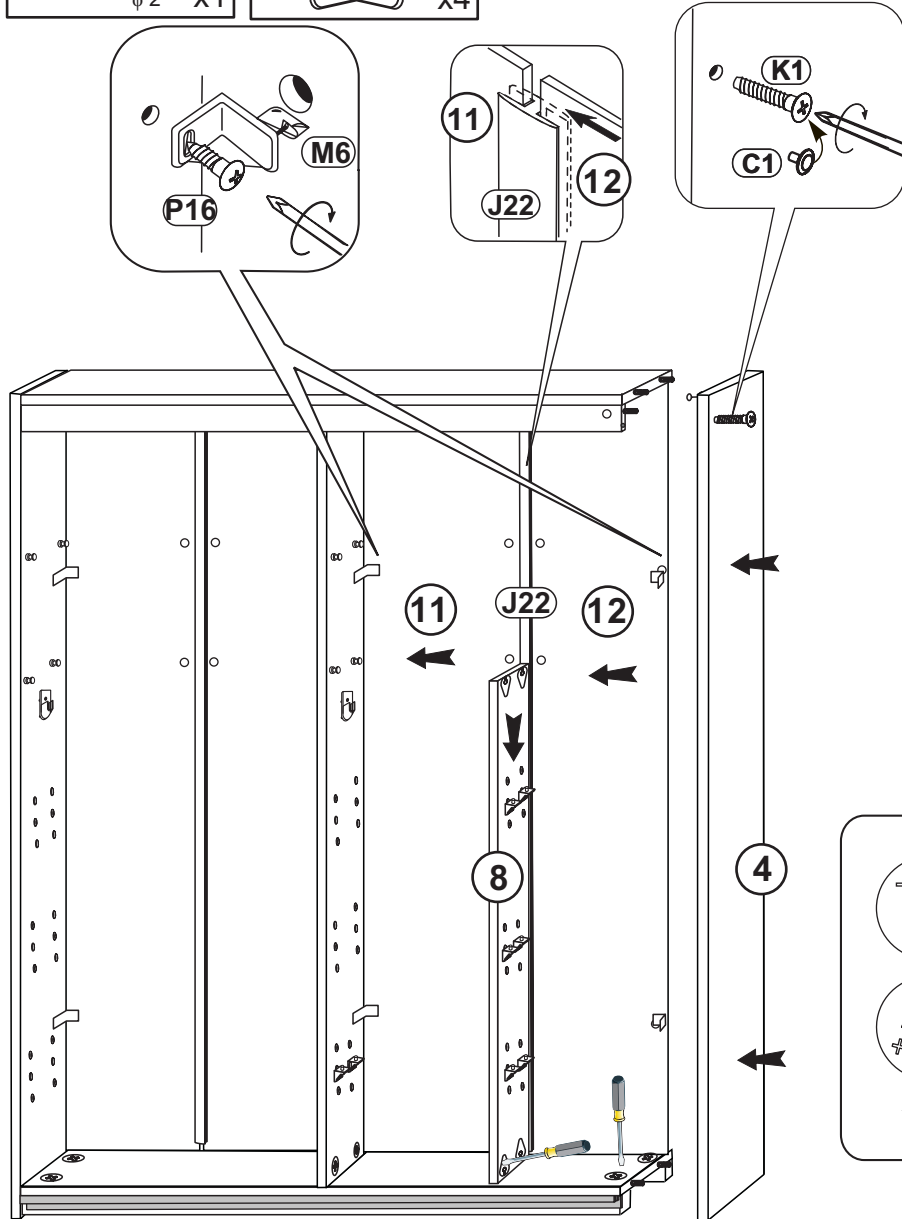
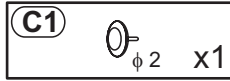
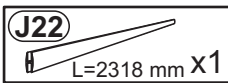
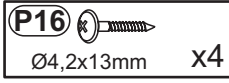
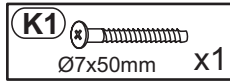
3



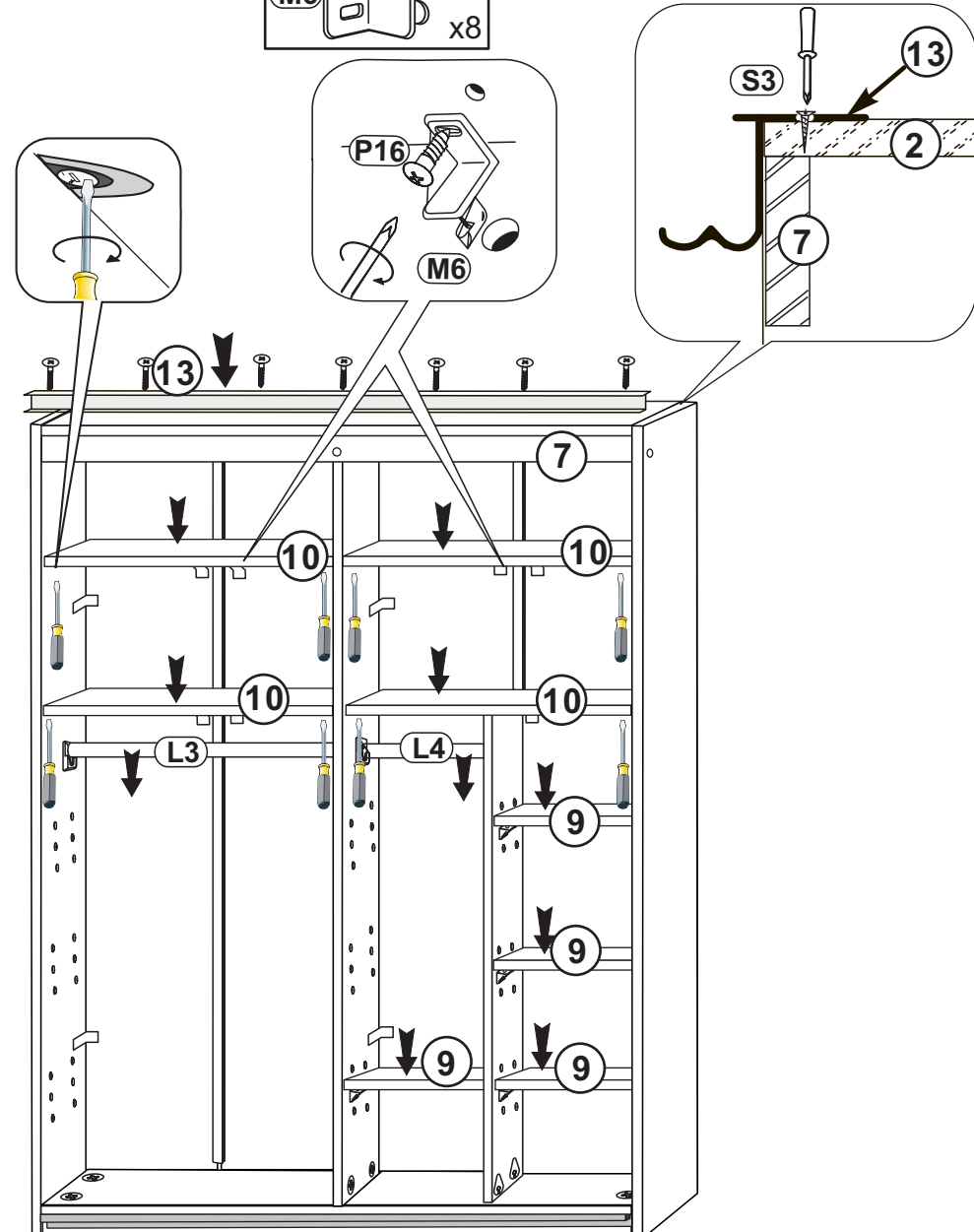
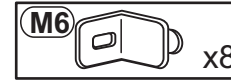
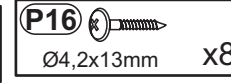
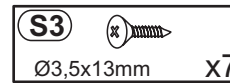
4



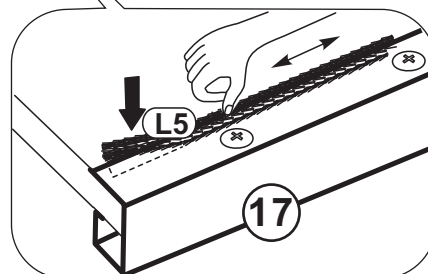
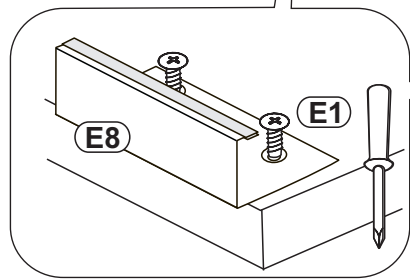
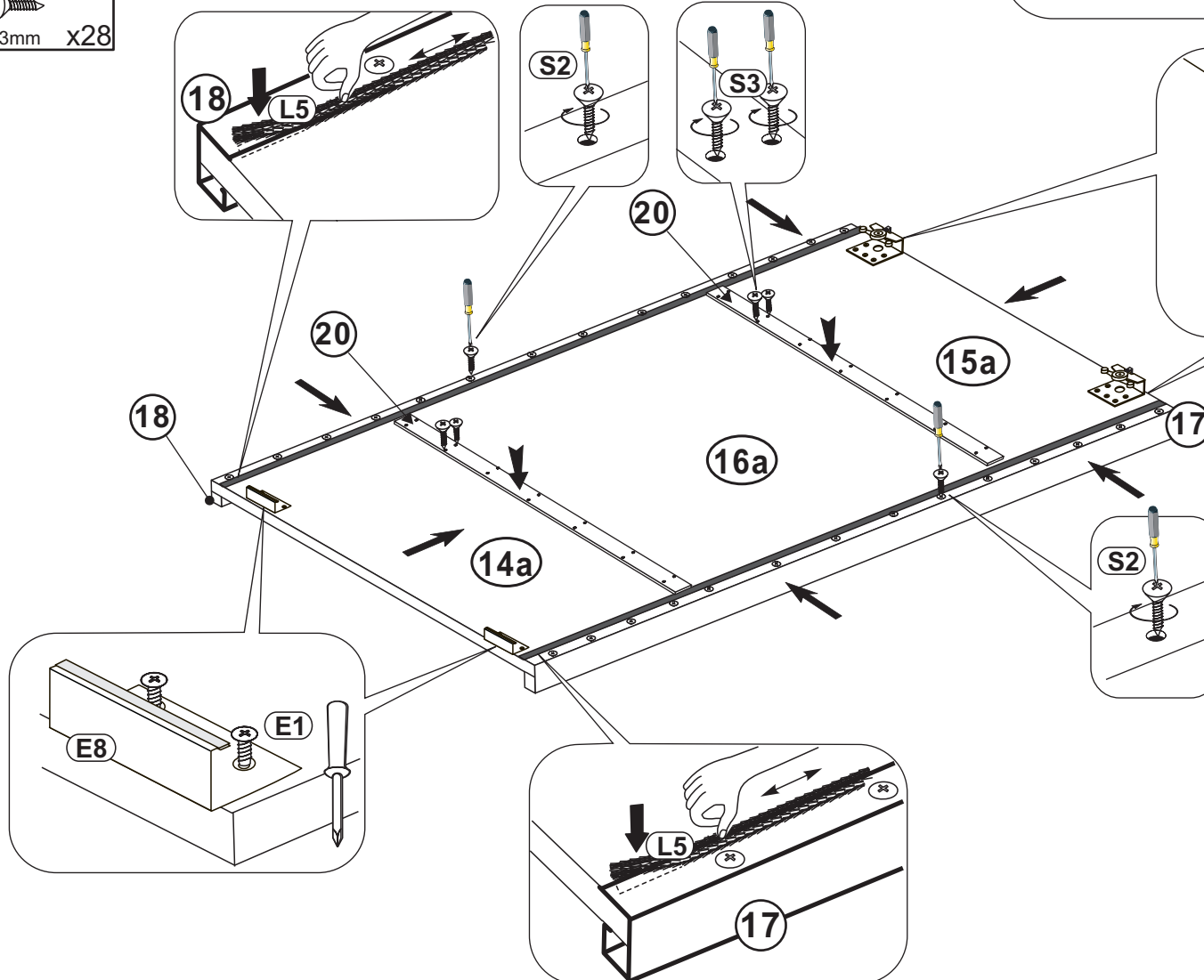
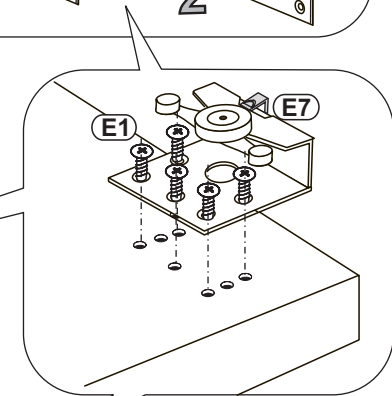
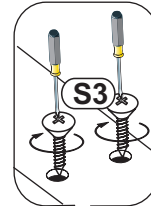
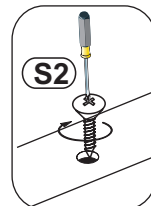
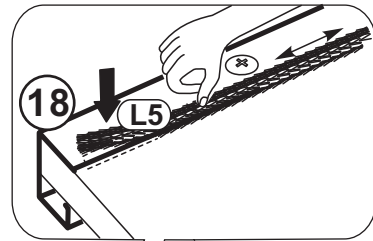
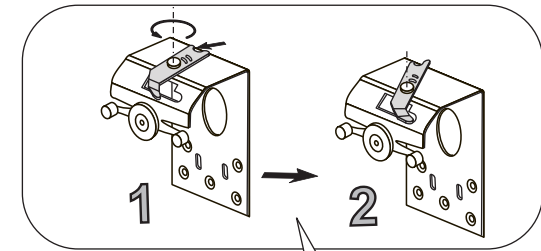
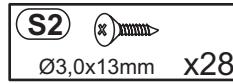
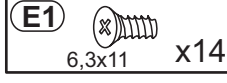
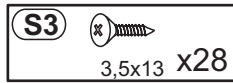
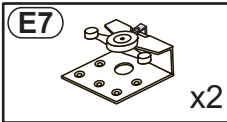
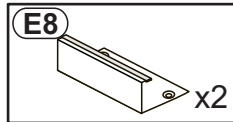
5



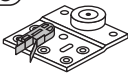

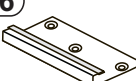







6

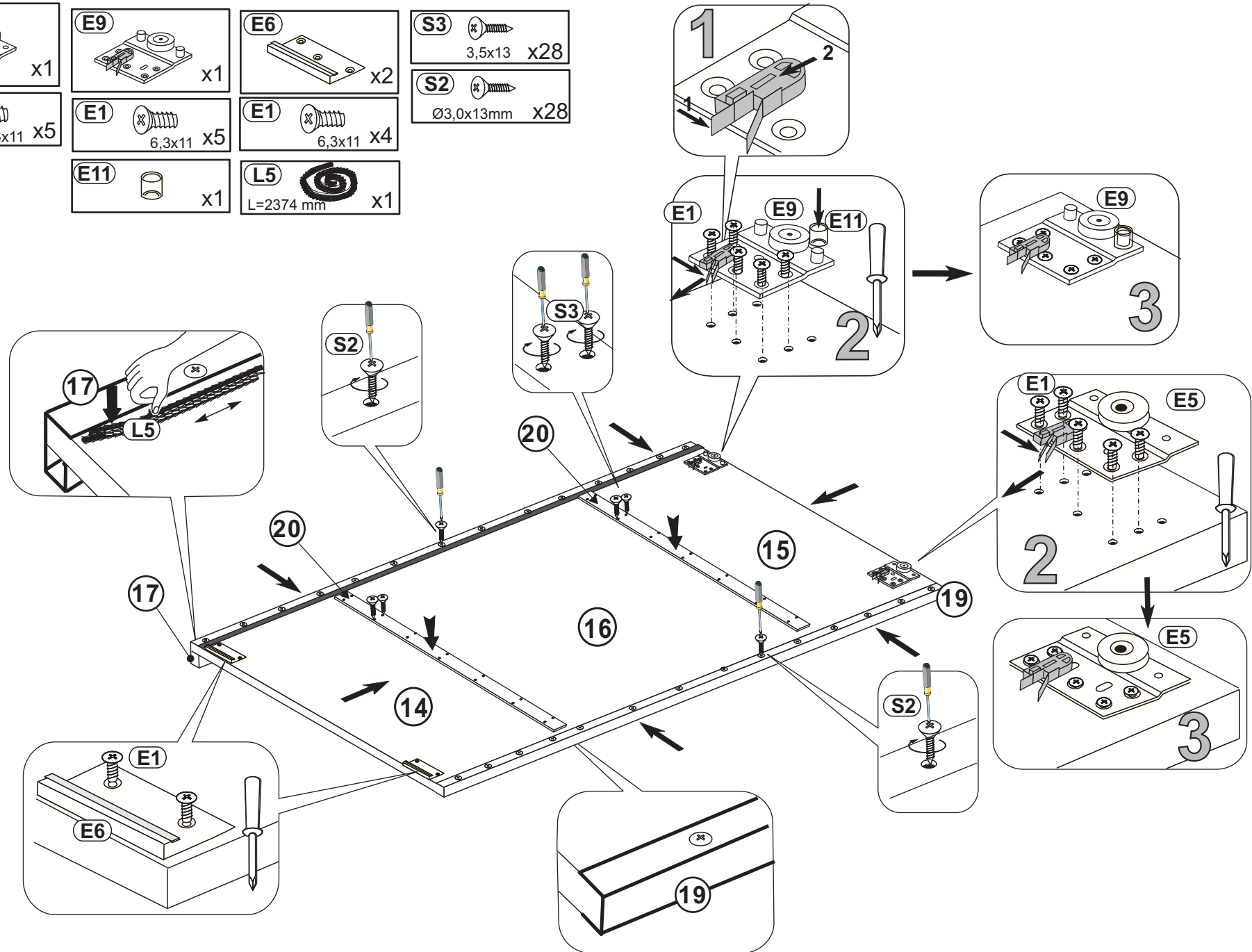


7

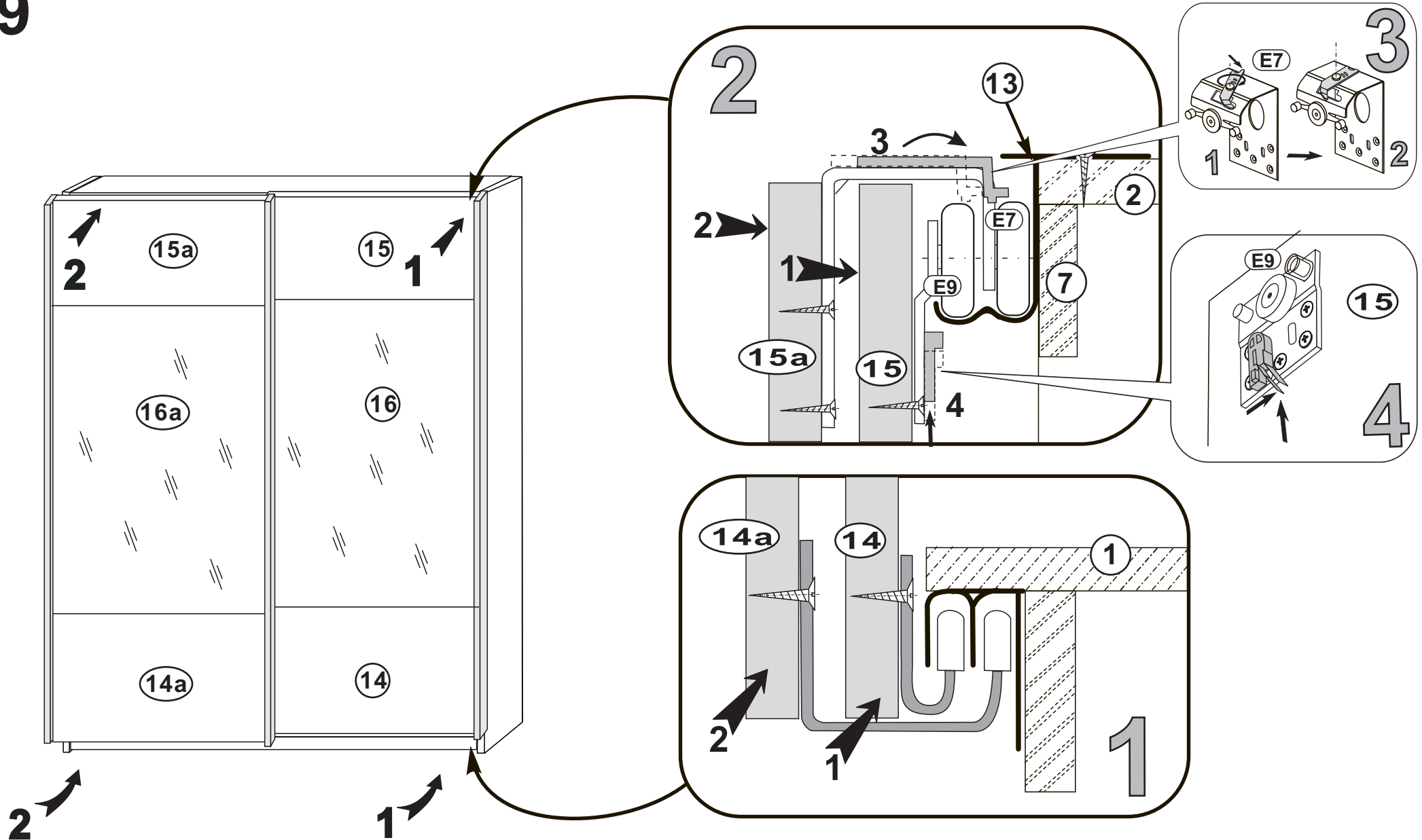


8

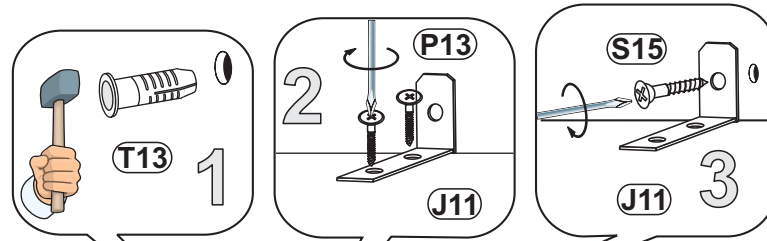
- E5**  x1
- E9**  x1
- E6**  x2
- S3**  3,5x13 x28
- E1**  6,3x11 x5
- E1**  6,3x11 x5
- E1**  6,3x11 x4
- S2**  Ø3,0x13mm x28
- E11**  x1
- L5**  L=2374 mm x1




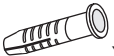



9



10



- (L4)**  x2
- (J11)**  x2
- (P13)**  3,5x13 mm x4
- (T13)**  $\phi 8 \times 40$ x2
- (S15)**  x2

