

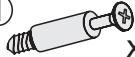



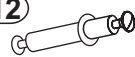
NR 1


B1  ϕ 8x28 x44


M1  x33


T1  x25


B2  ϕ 8x50 x4


T12  x4

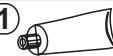
C2  x29

W1  x20


J23  x22

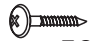
F1  x8

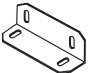
S4  3,0x20 x14


L1  x1


NR 2


F33  x14


P13  3,5x13 x56+16

F12  x4

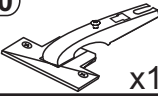
G5  x20

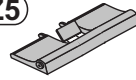
S4  3,0x20 x20

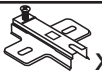
S5  4,0x25 x4


S6  4,0x30 x2


NR 3

Y0  x10

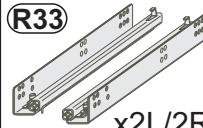
Z5  x4


D7  x10


E3  6,3x13 x20


S8  4x13 x20


NR 4

R33  x2L/2R

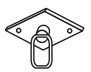
E24  6,0x11 x8


P7  4x30 x8

T2  5x35mm x4


M2  12x10mm x4


NR 5

U22  x6

A18  4,0x25 x6

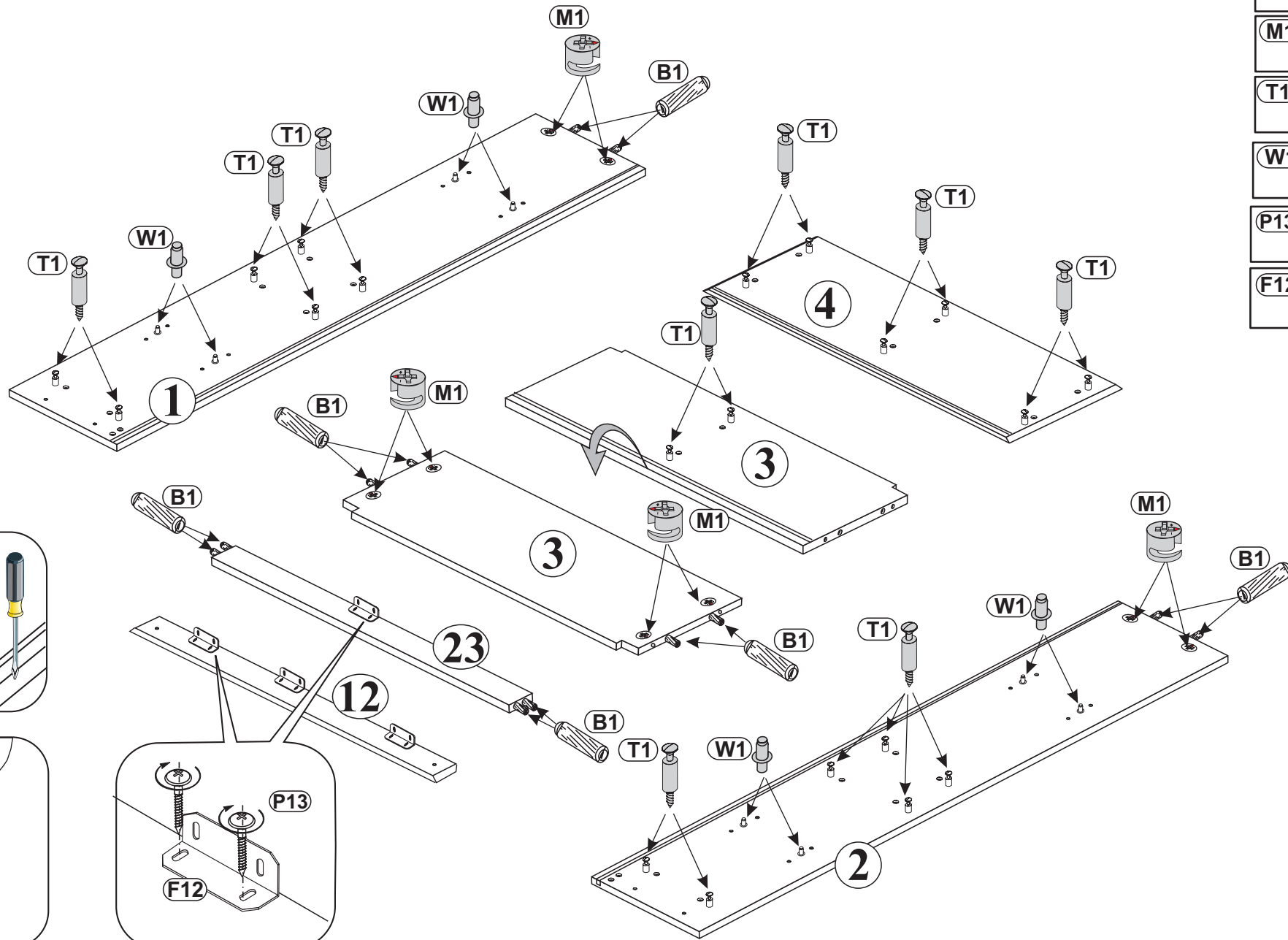
NR 6

J11  x1

P13  3,5x13 x2



1



(B1) ϕ 8x28 x12

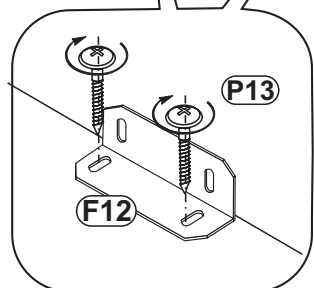
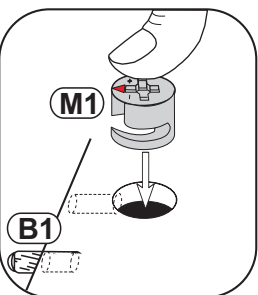
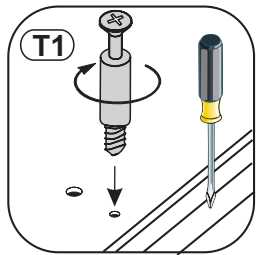
(M1) x8

(T1) x20









(W1) x8

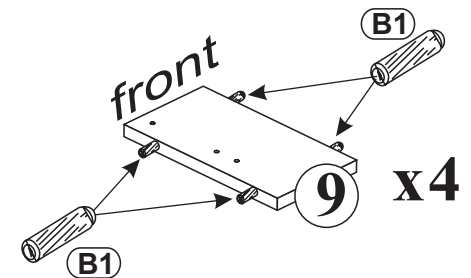
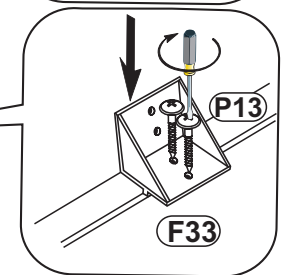
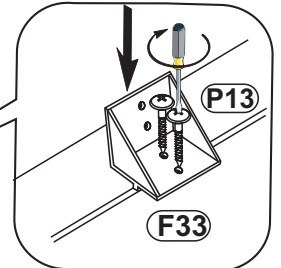
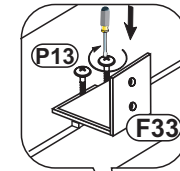
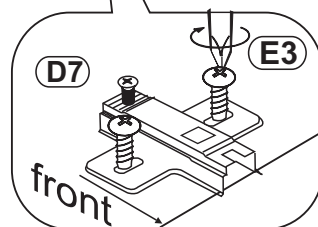
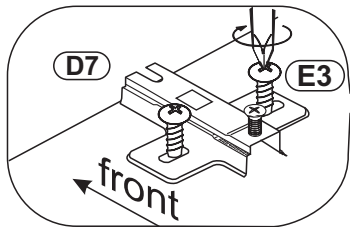
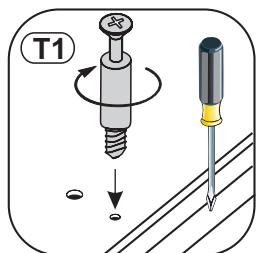
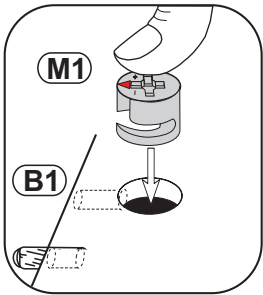
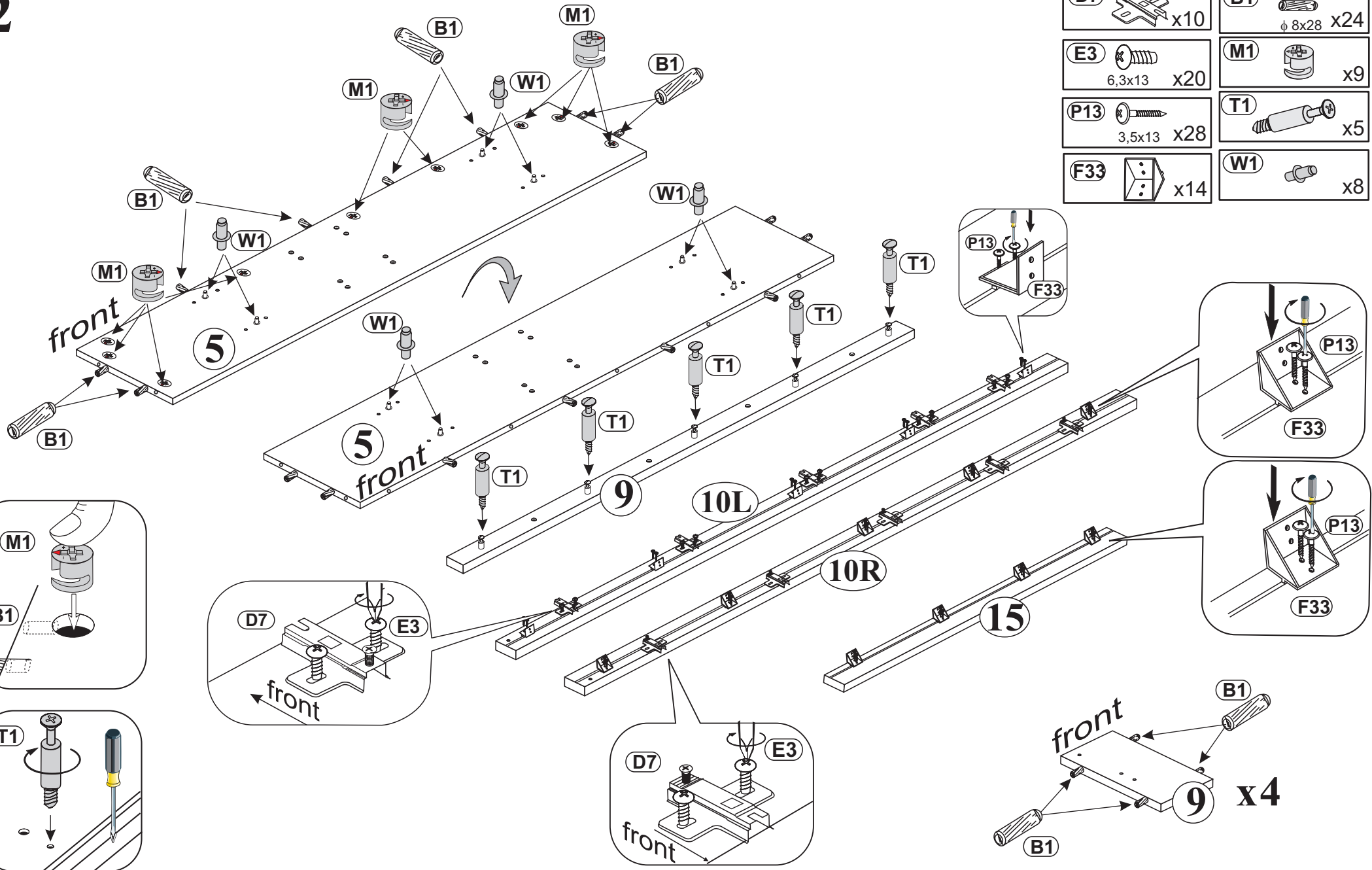
(P13) 3,5x13 x8

(F12) x4

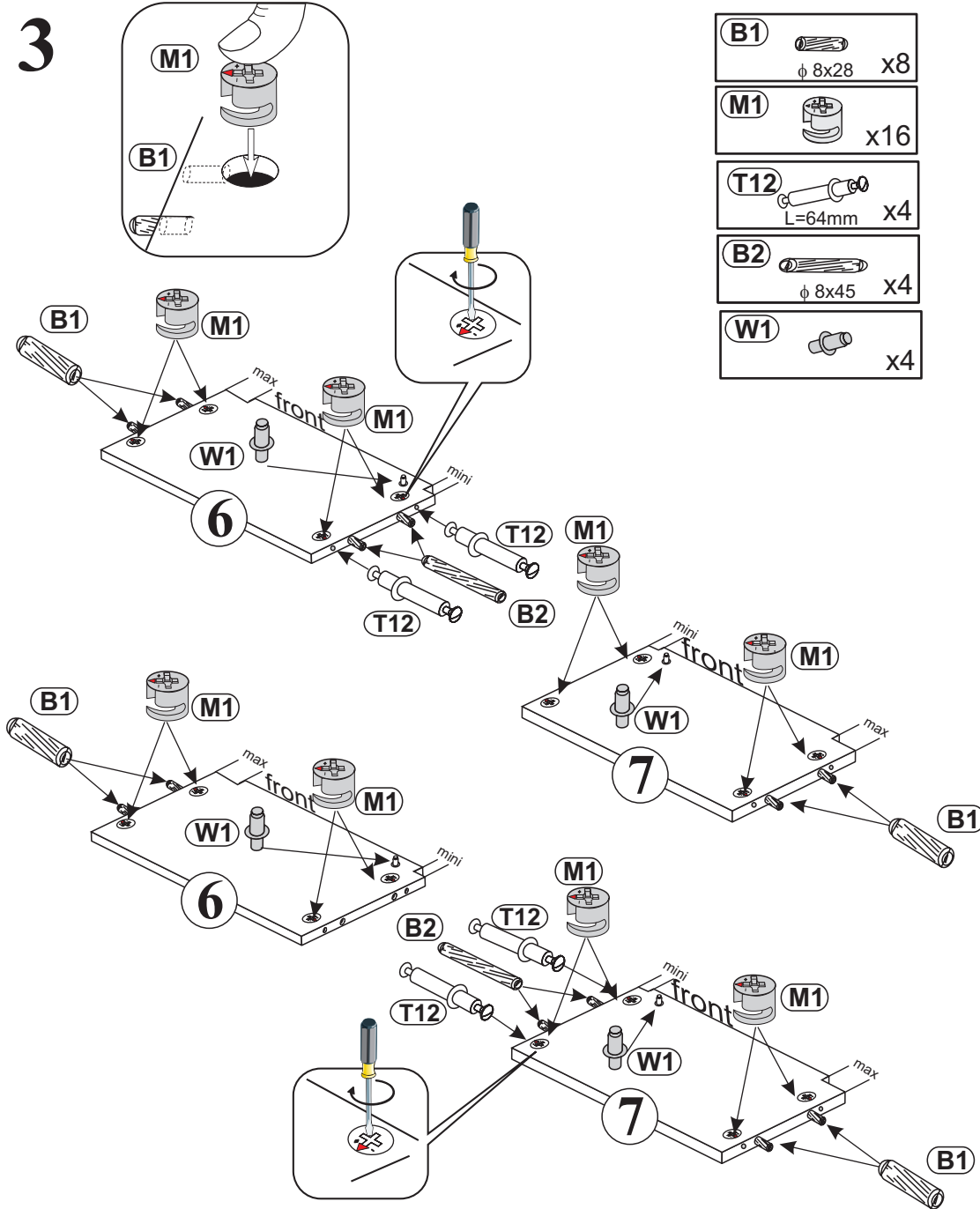


2

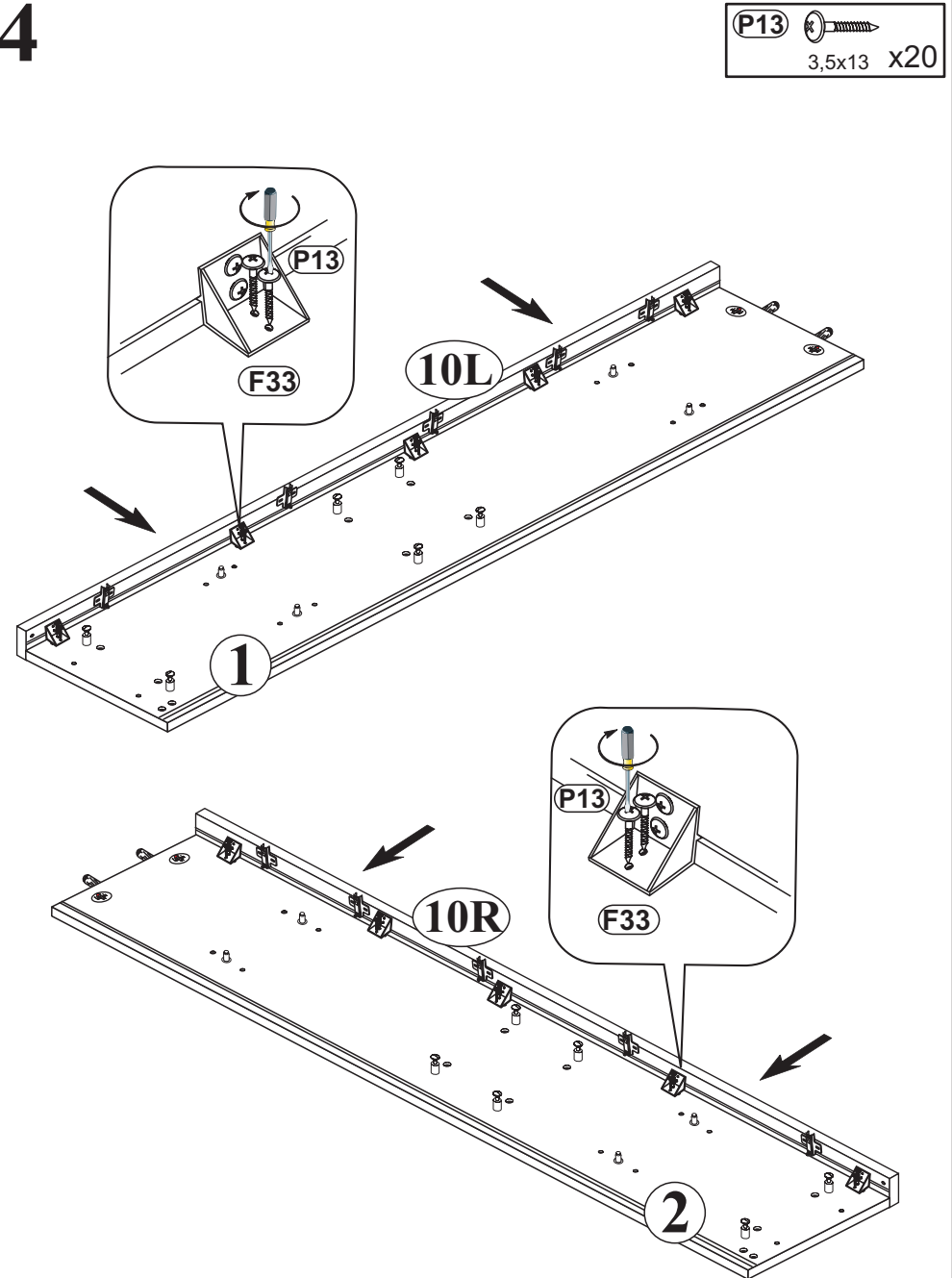
D7  x10	B1  x24 φ 8x28 x24
E3  6,3x13 x20	M1  x9
P13  3,5x13 x28	T1  x5
F33  x14	W1  x8



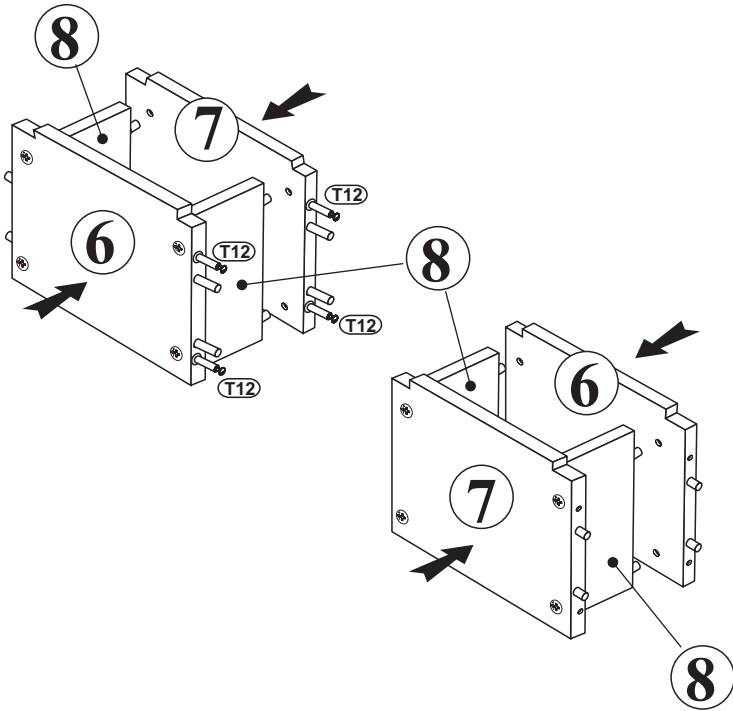
3



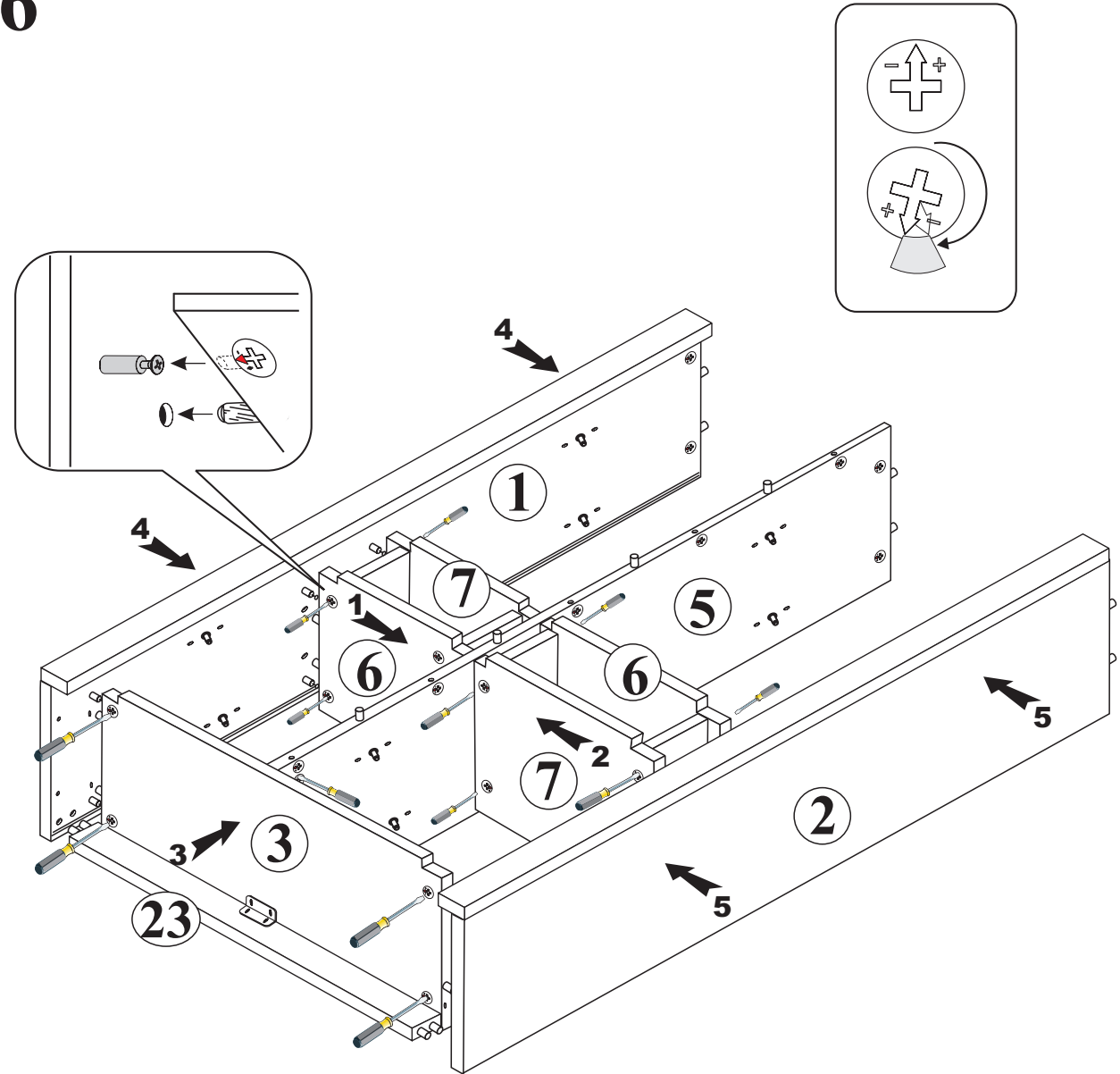
4



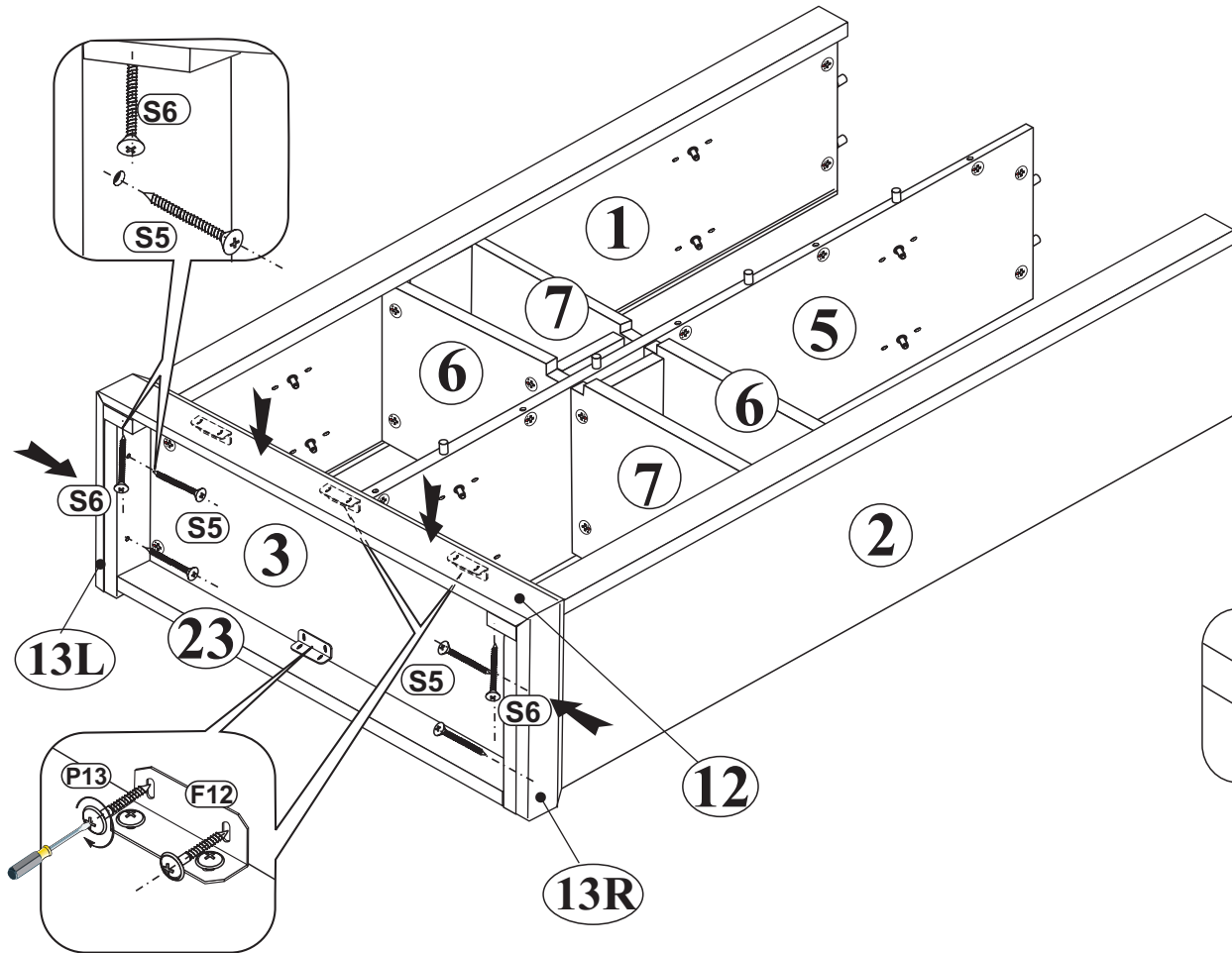
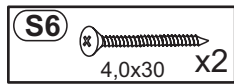
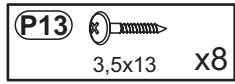
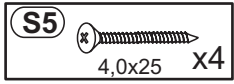
5



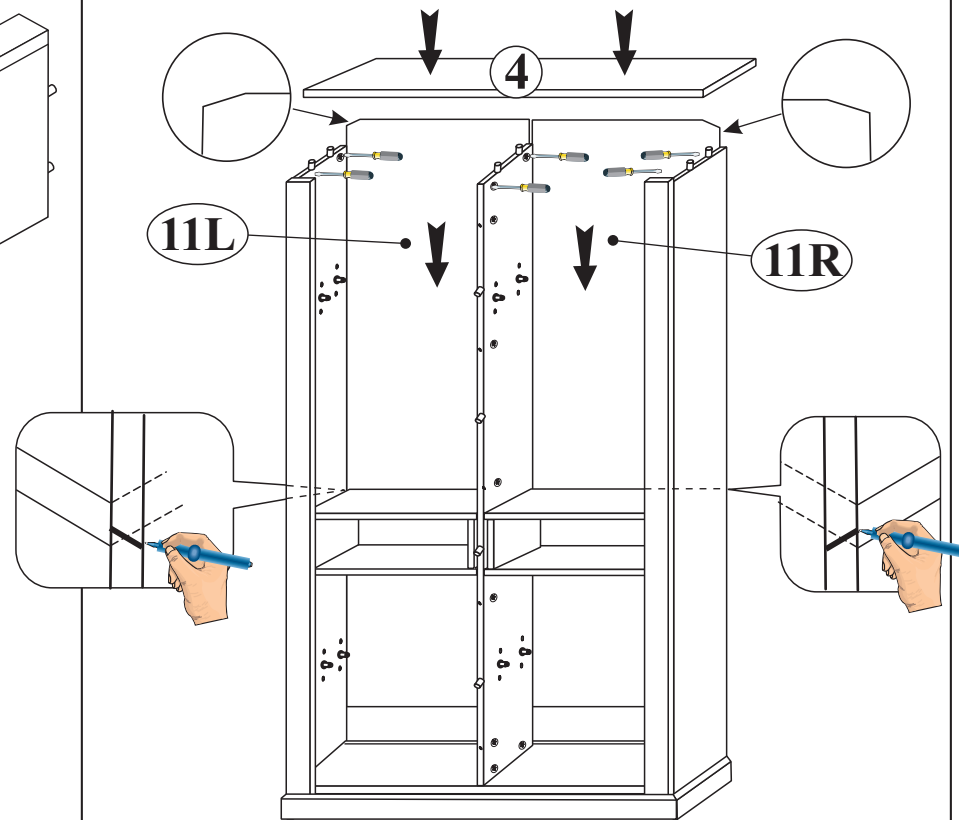
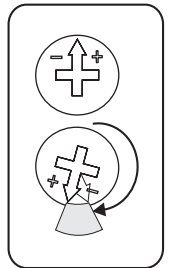
6



7

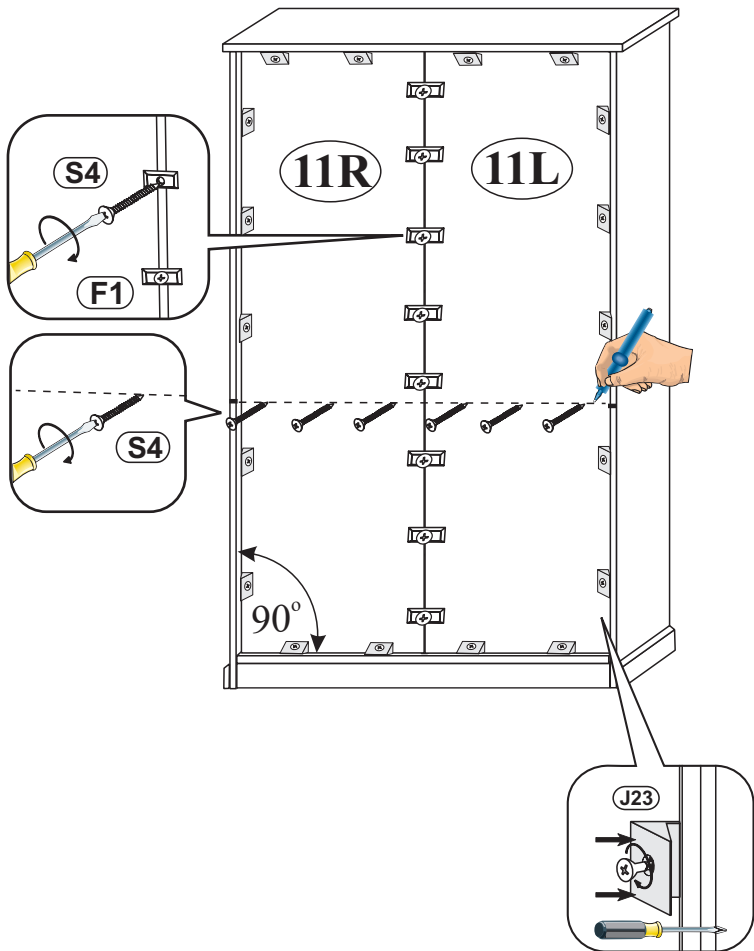


8

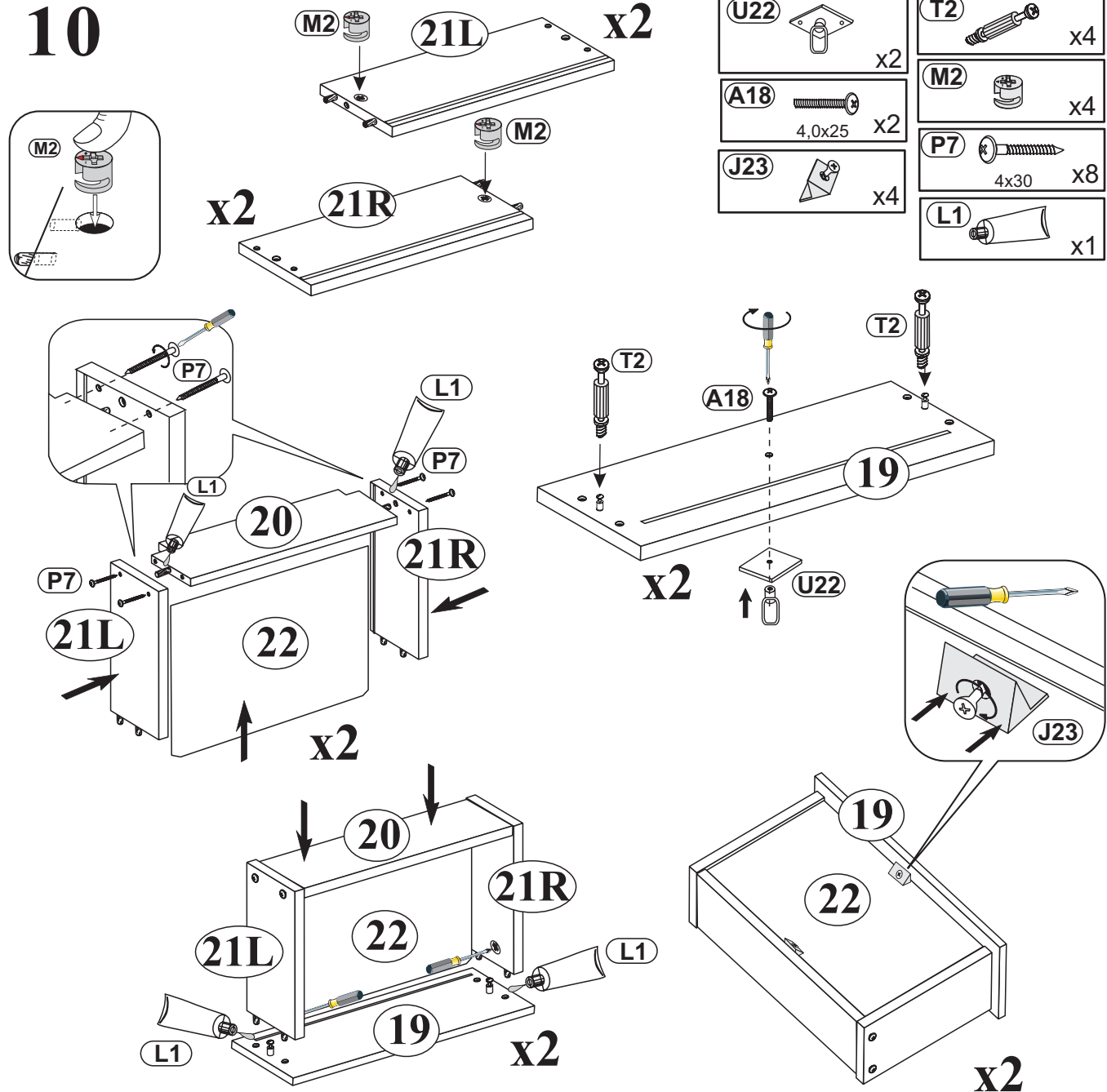


9

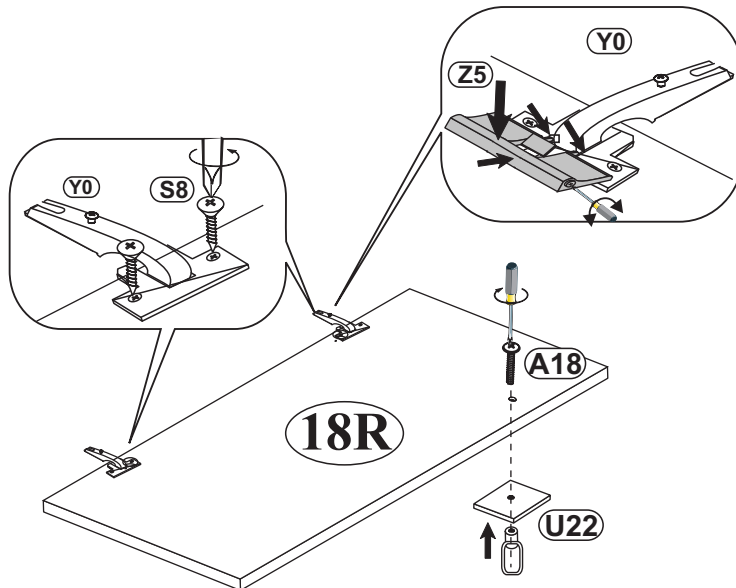
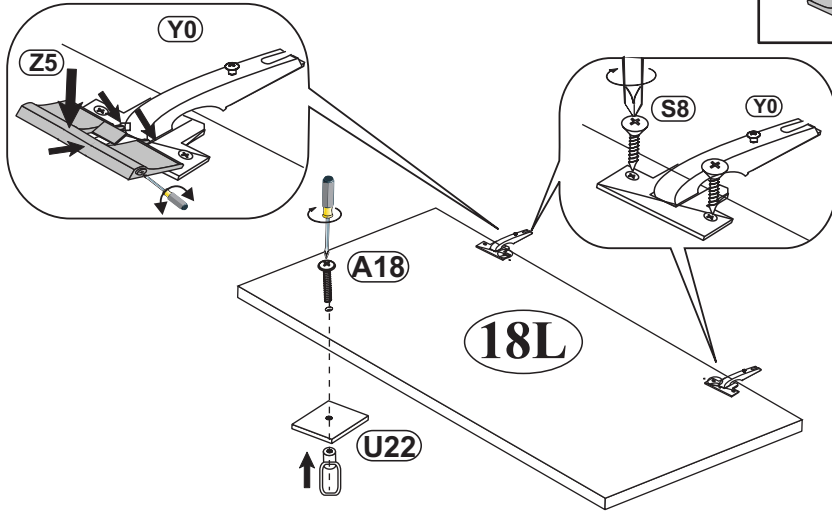
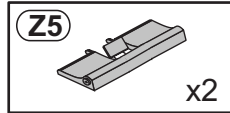
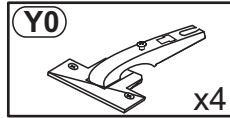
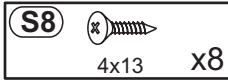
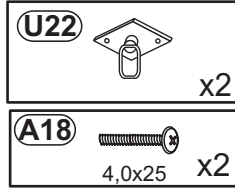
- S4 3x20 x14
- F1 x8
- J23 x18



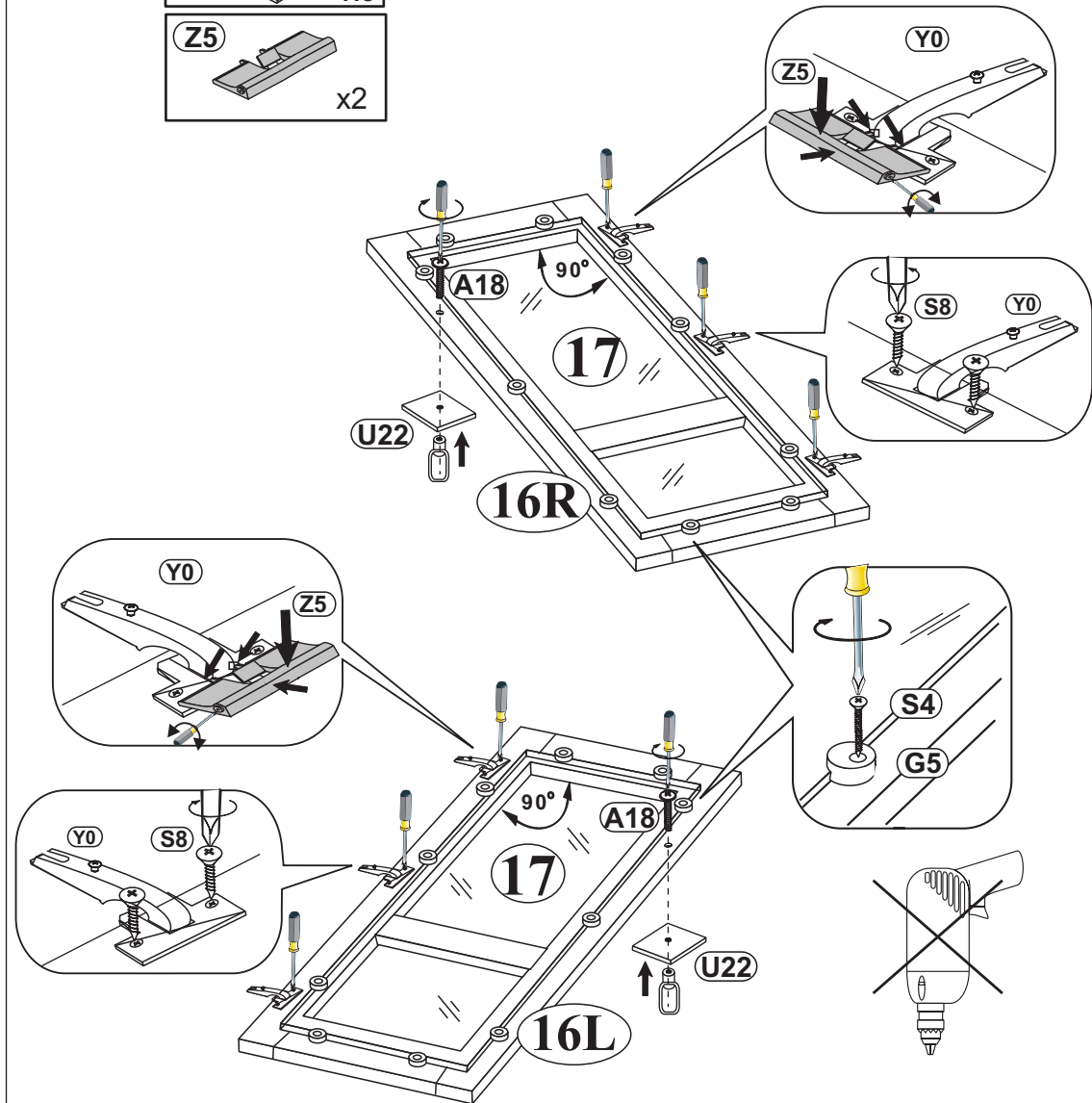
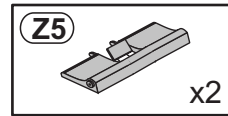
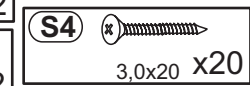
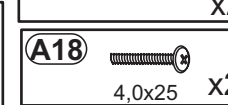
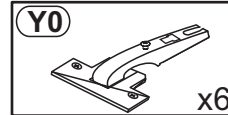
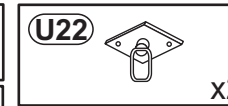
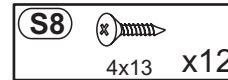
10



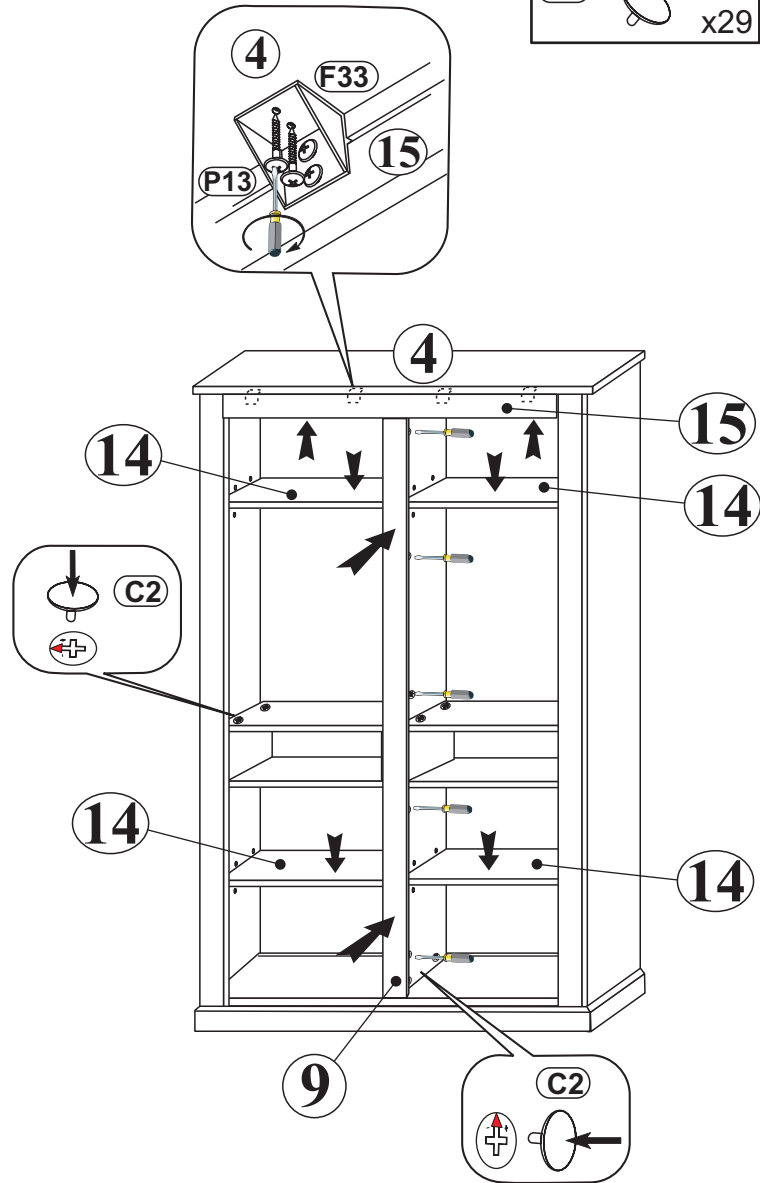
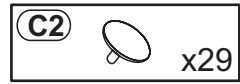
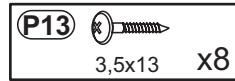
11



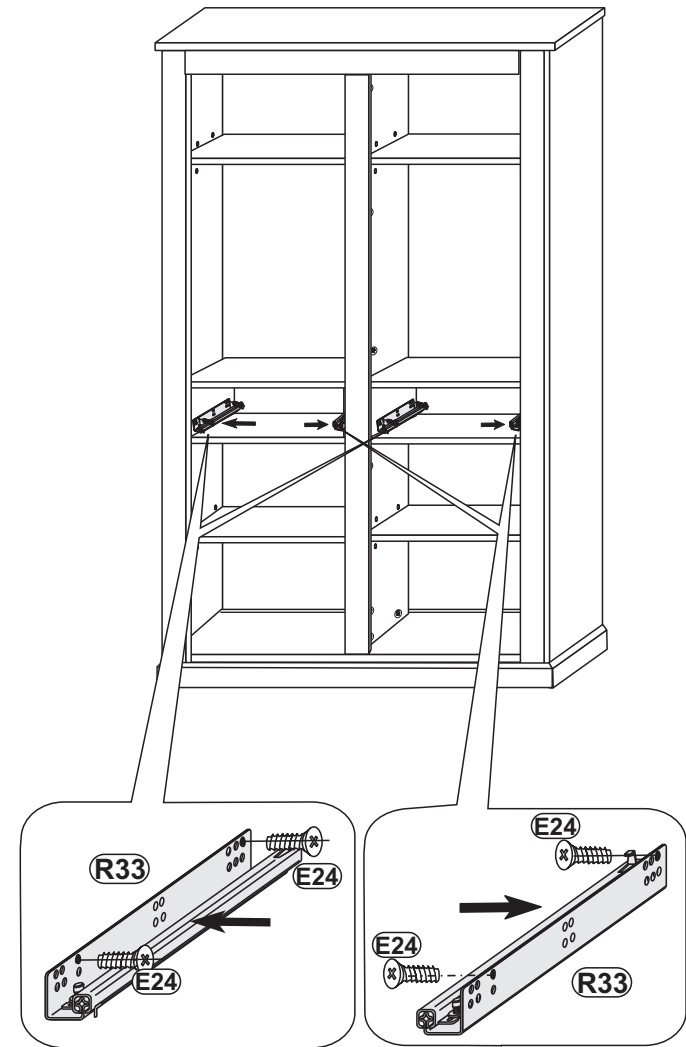
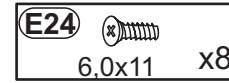
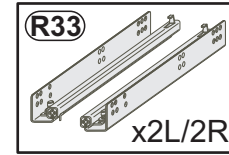
12



13



14



15

