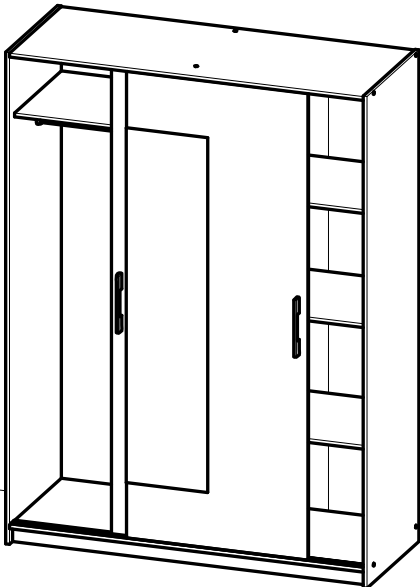
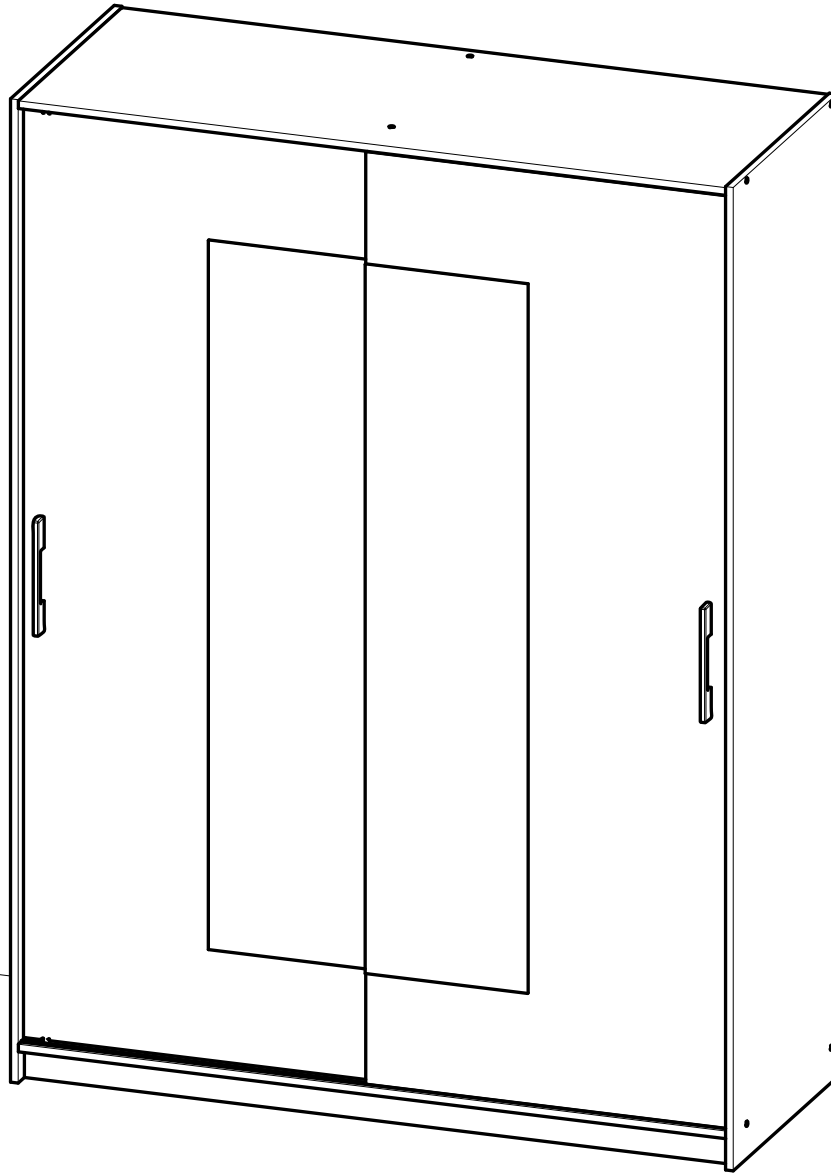


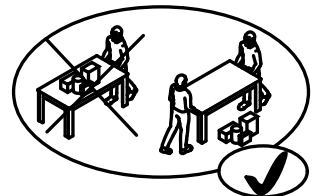
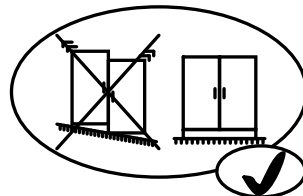
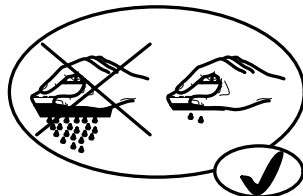
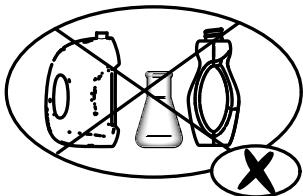
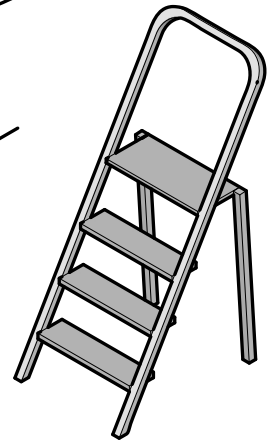
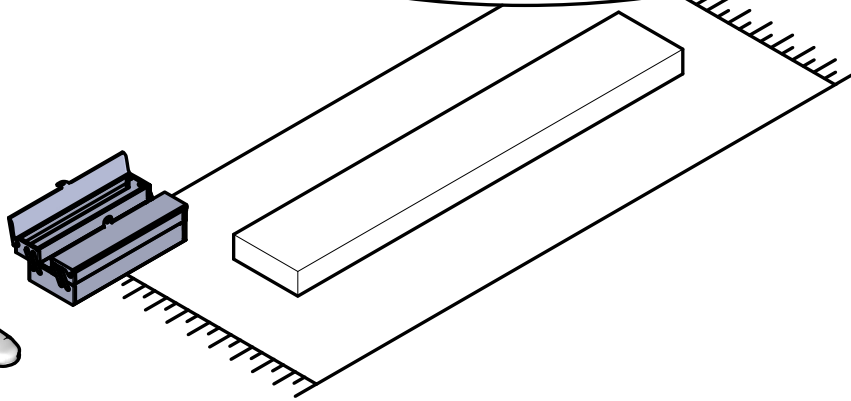
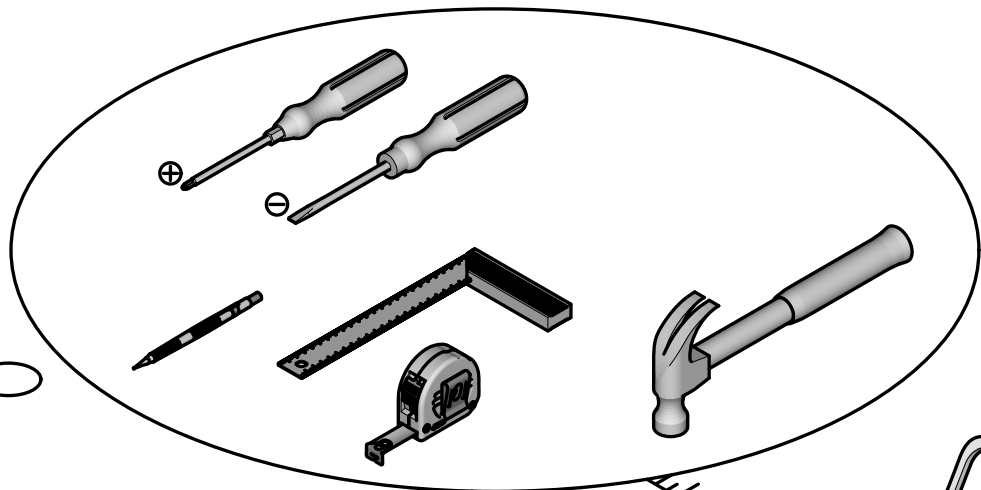
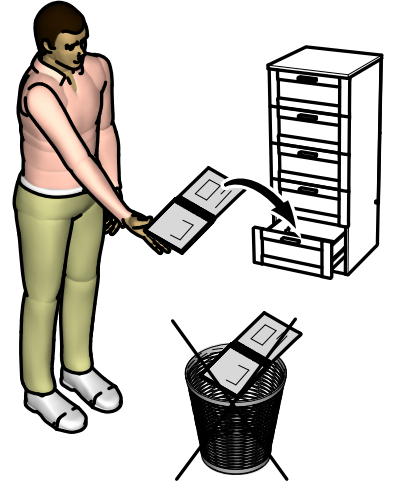
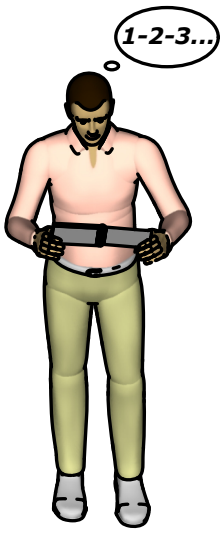


Demeyere
GROUP

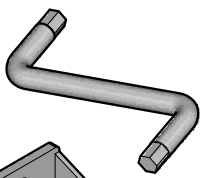
359 870-00

359 871-00

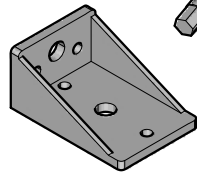




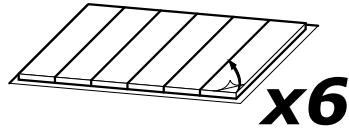
A x1



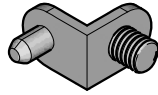
B x4



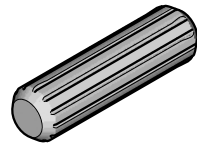
C x4



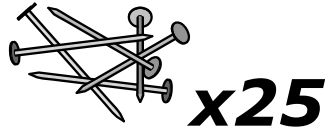
D x8



E x13



F x2



G x16



H x4



I x7



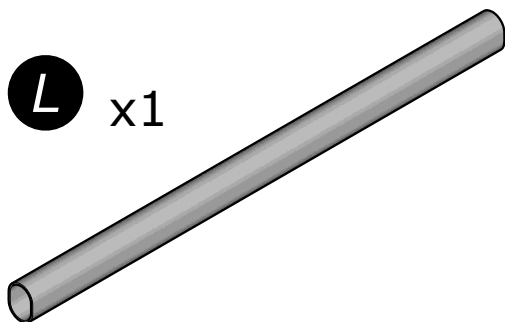
J x2



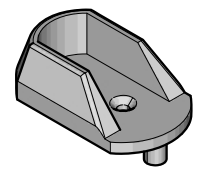
K x16



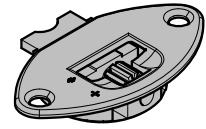
L x1



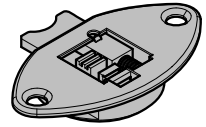
M x2



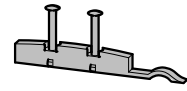
N x4



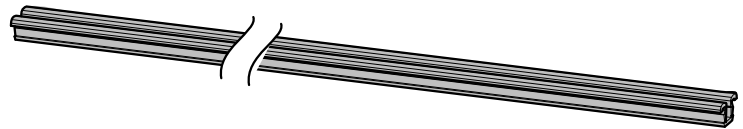
O x4



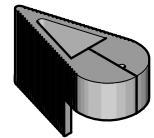
P x4



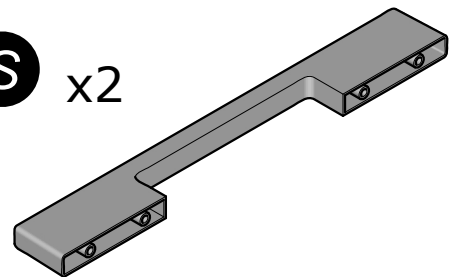
Q x4



R x1



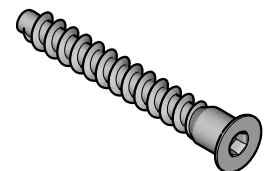
S x2



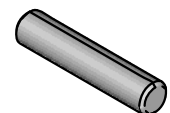
T x8



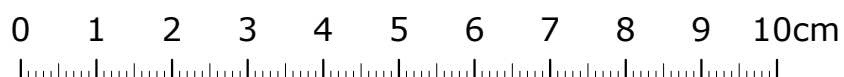
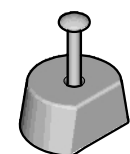
U x12

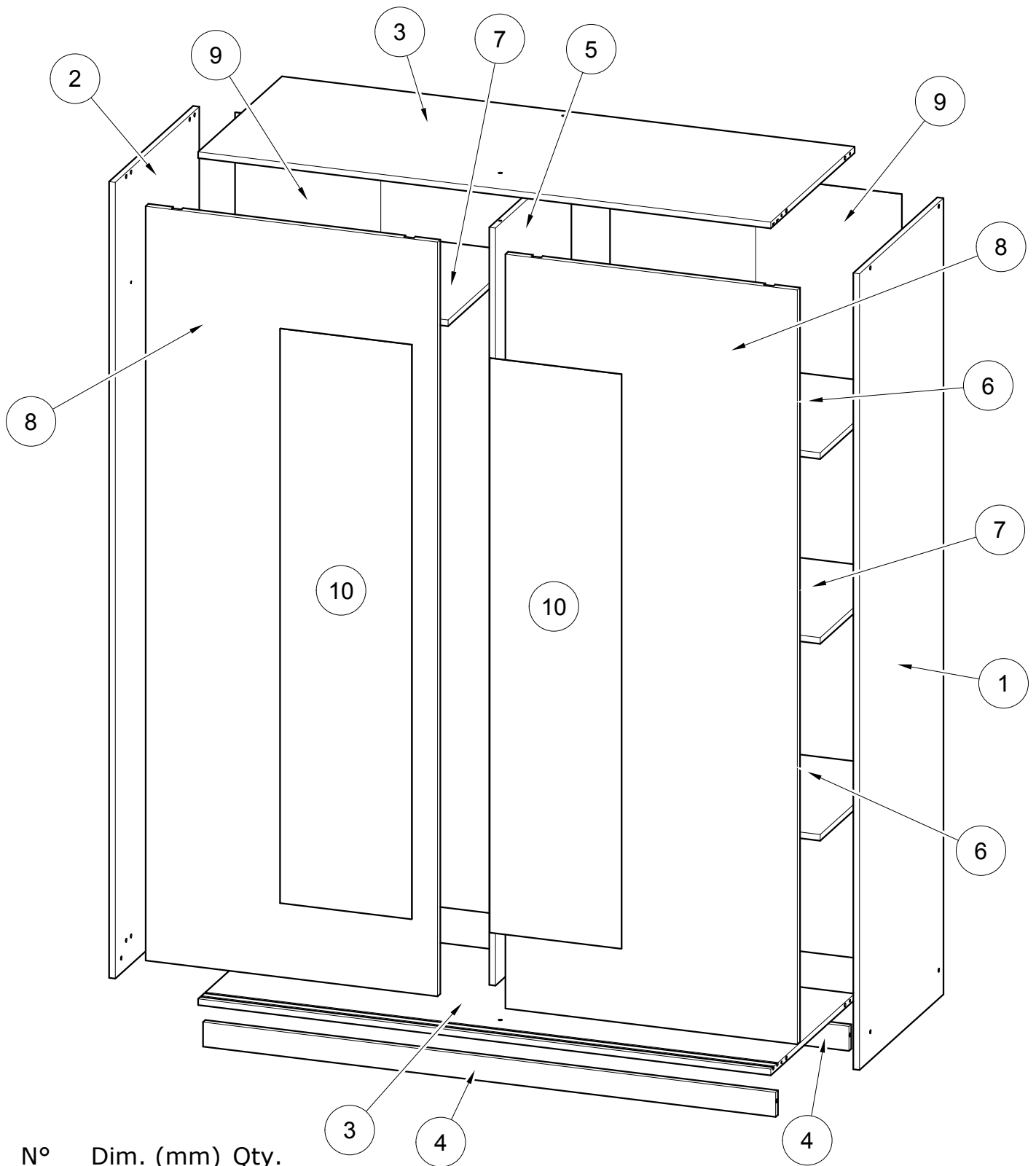


V x8

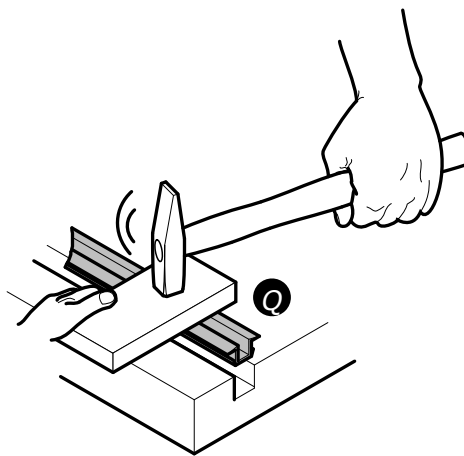
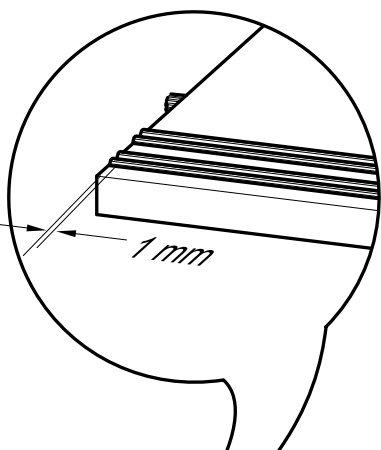
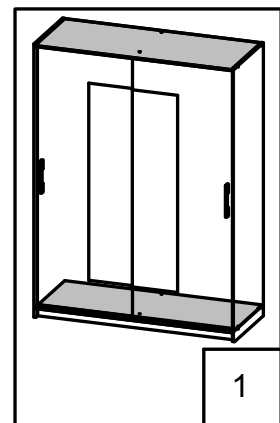


W x1

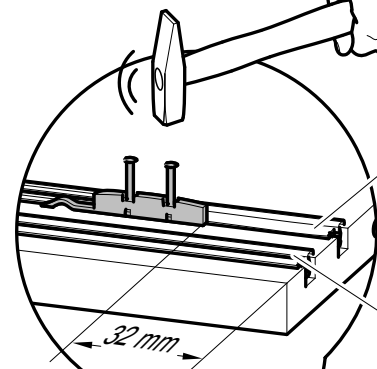
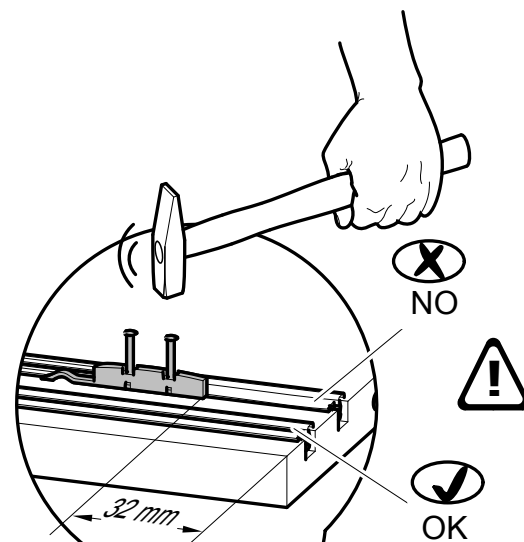
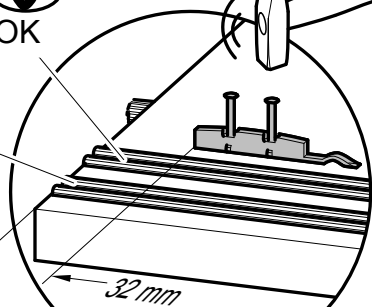
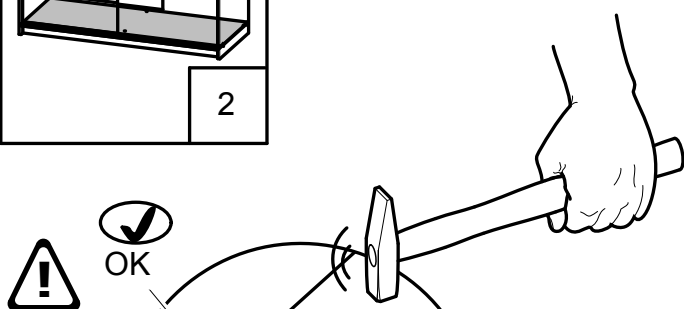
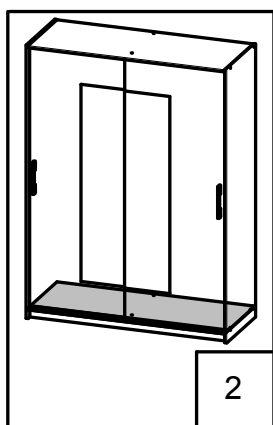




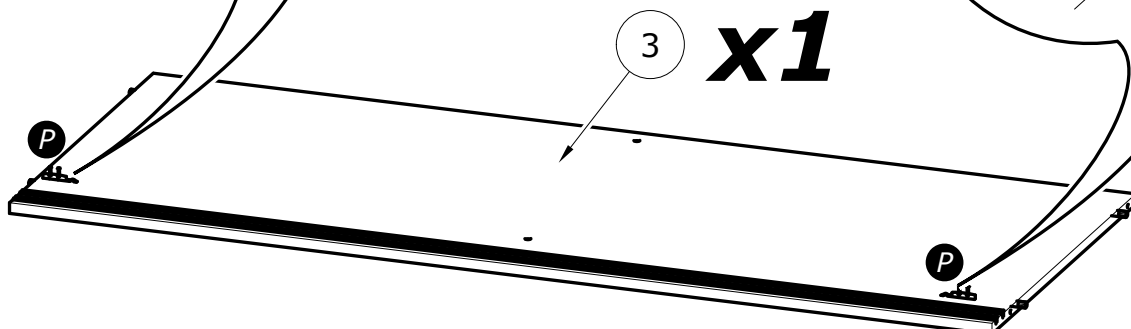
N°	Dim. (mm)	Qty.
1	1 915 x 550	x1
2	1 915 x 550	x1
3	1 385 x 549	x2
4	1 385 x 59	x2
5	1 822 x 497	x1
6	685 x 496	x2
7	685 x 496	x2
8	1 814 x 706	x2
9	1 850 x 705	x2
10	1 381 x 318	x2

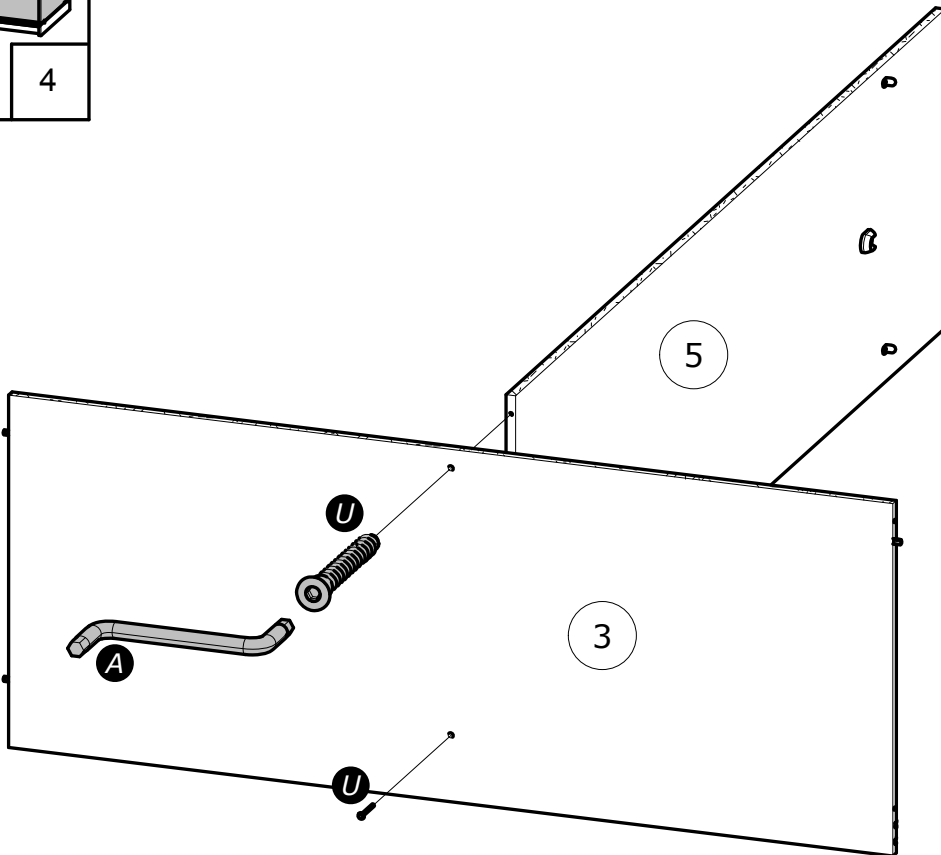
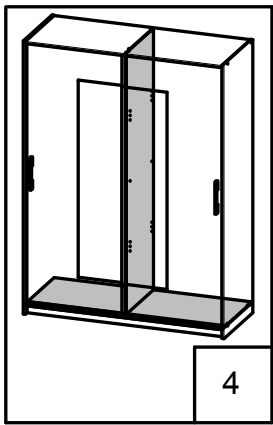
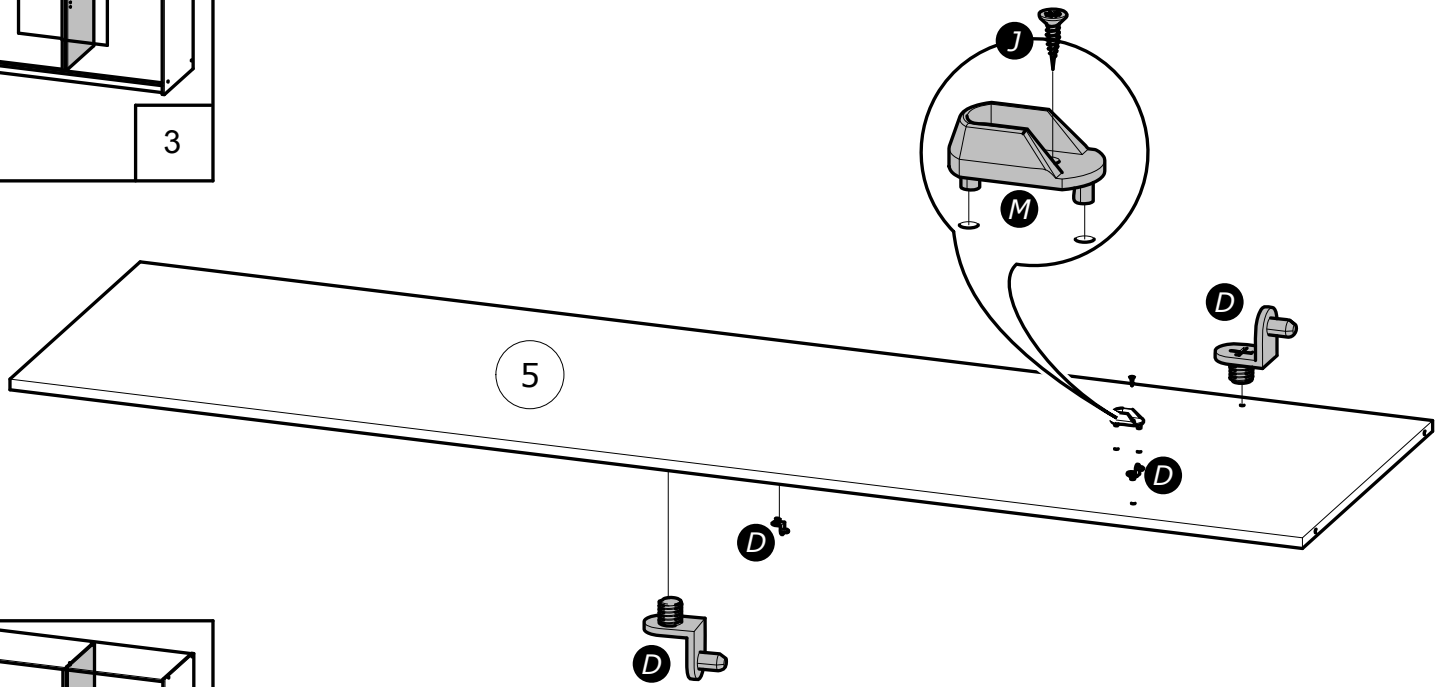
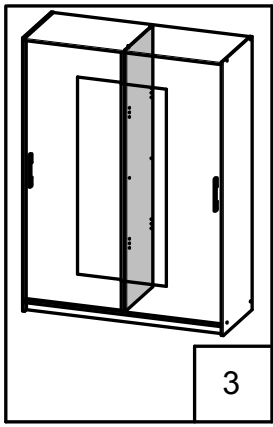


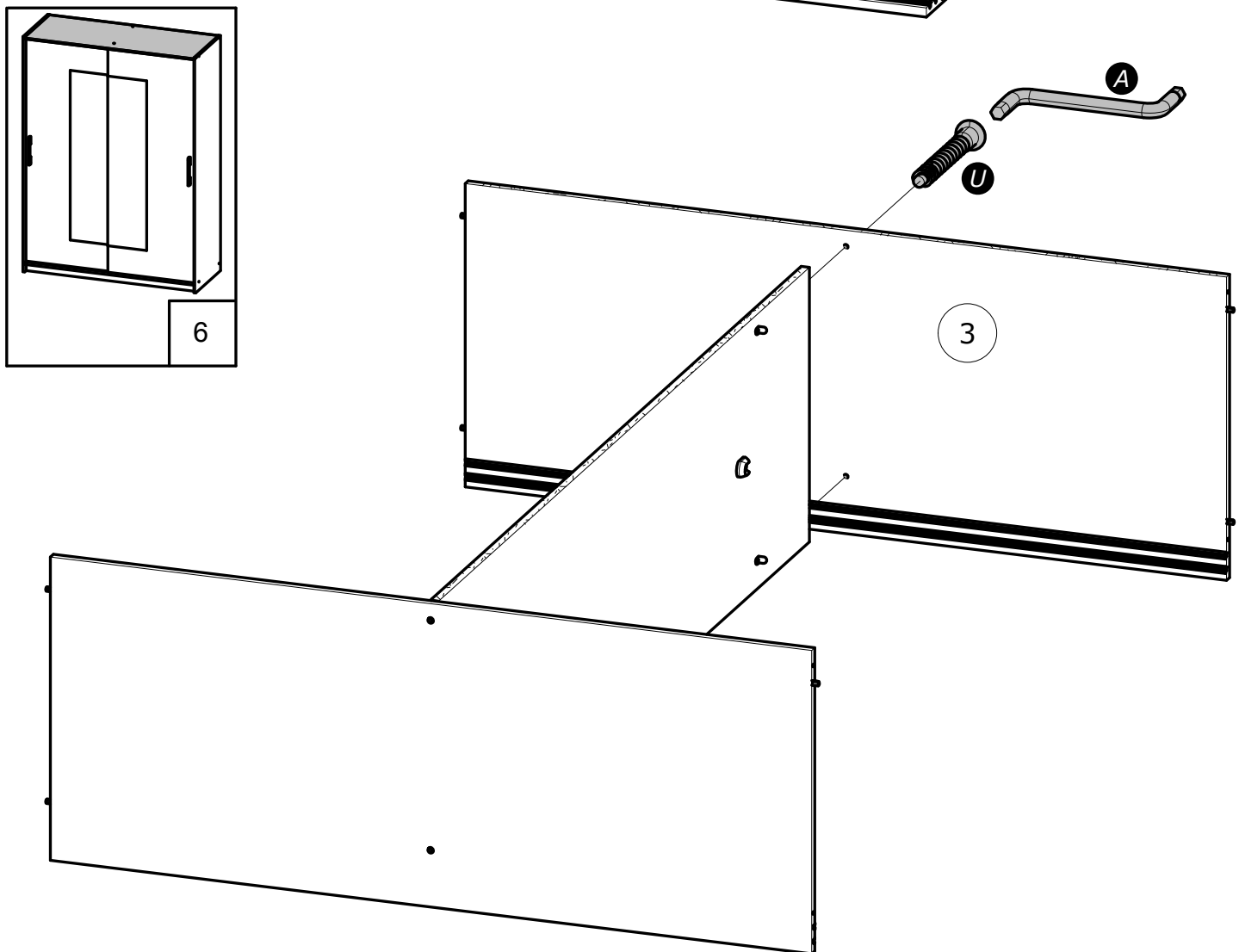
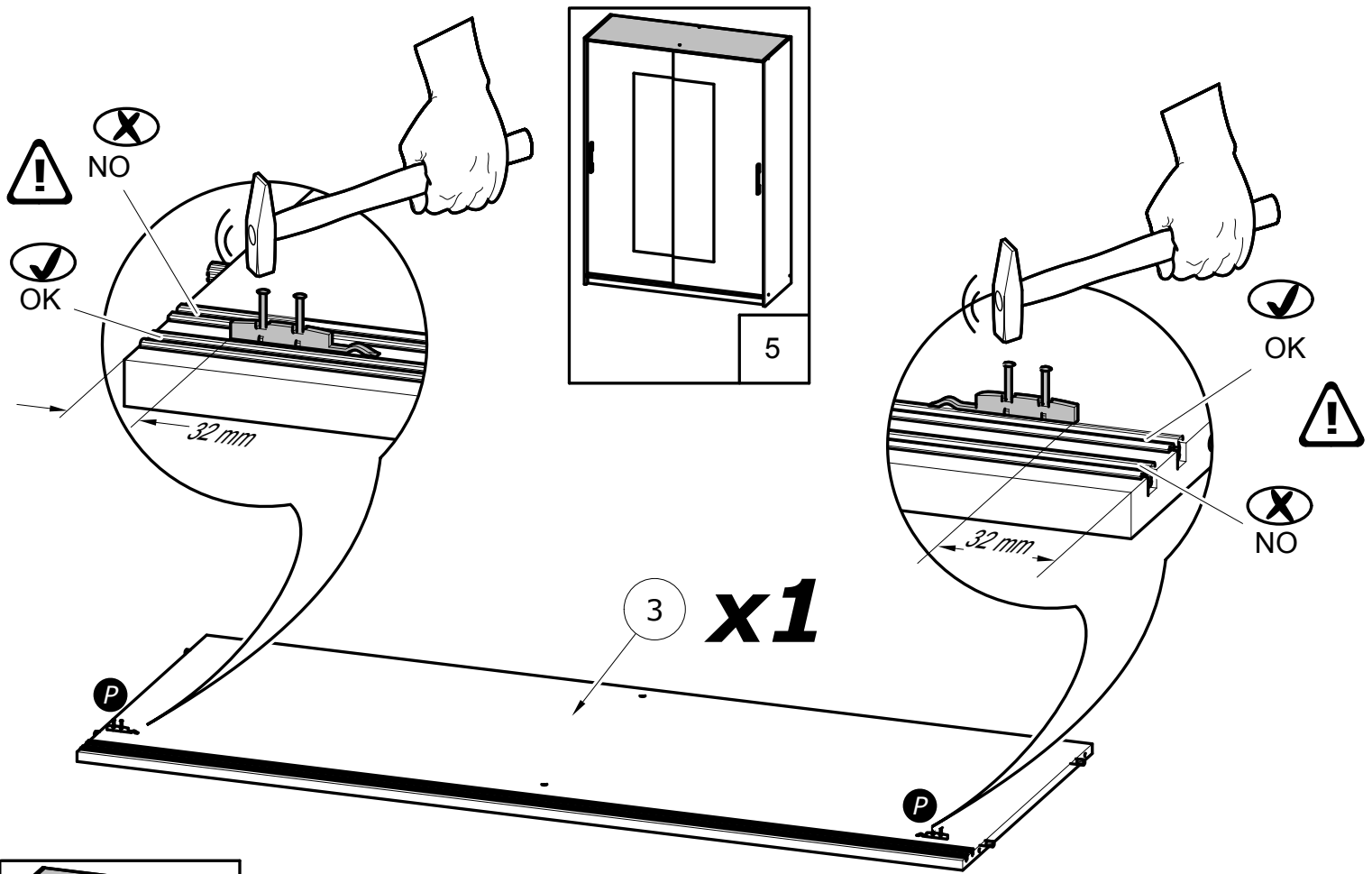
3 **x2**

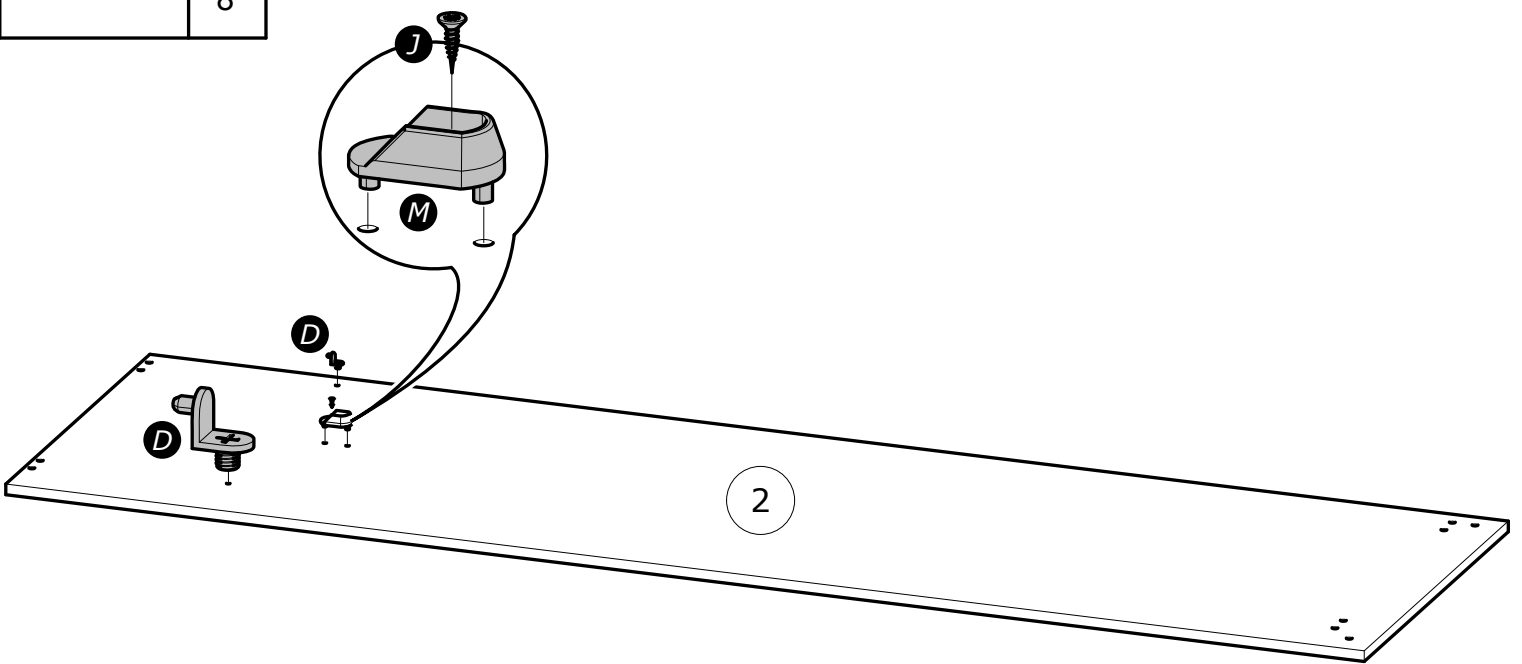
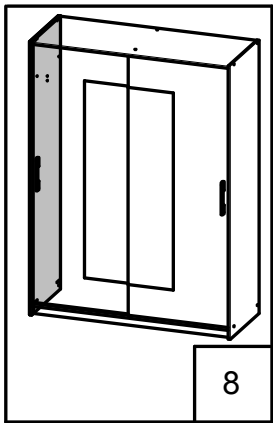
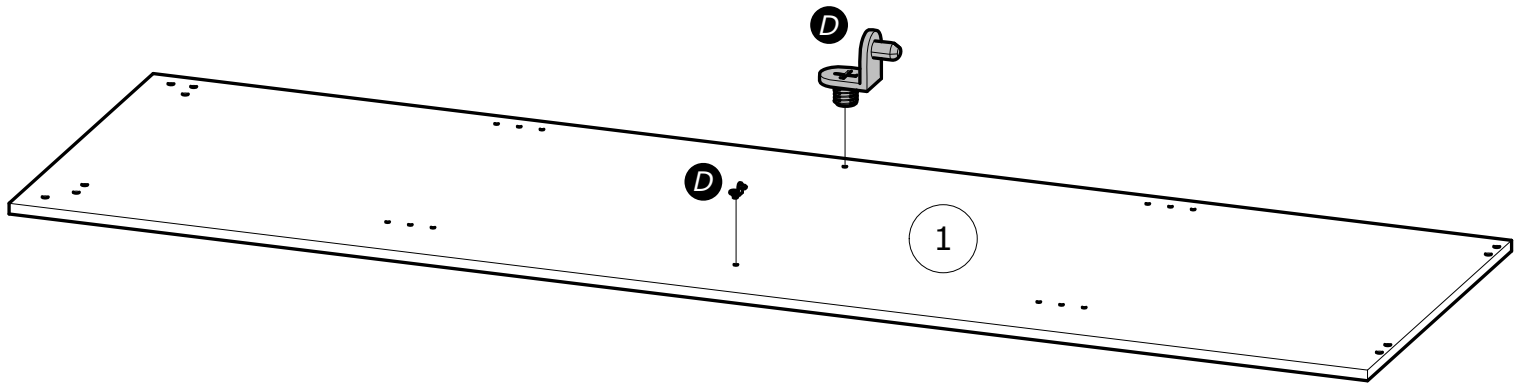
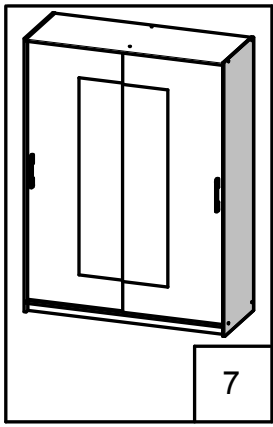


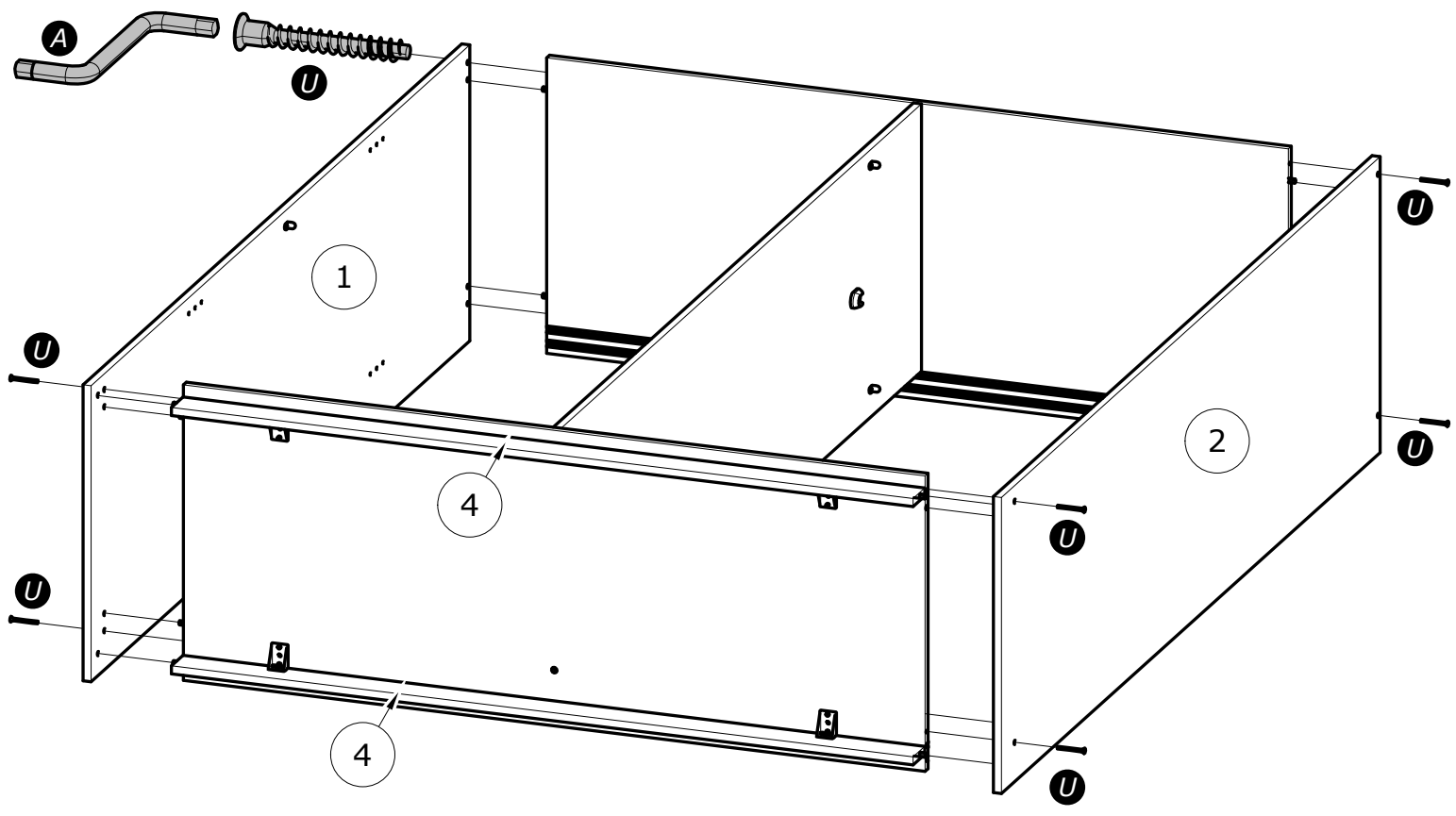
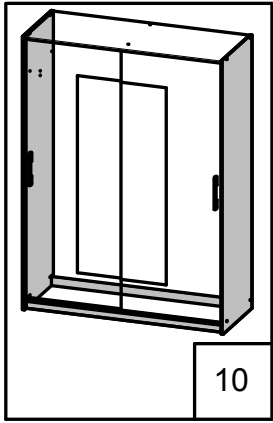
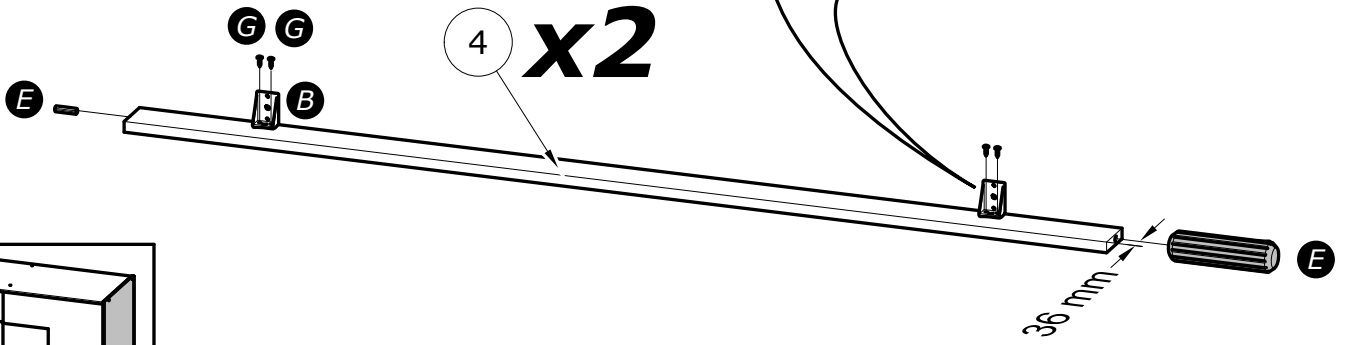
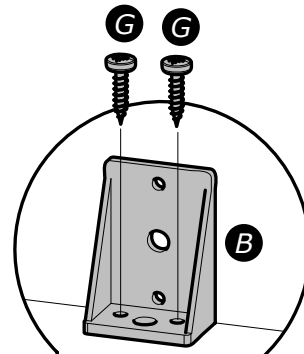
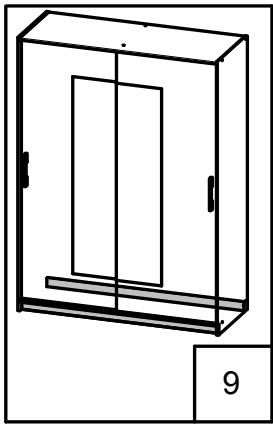
3 **x1**

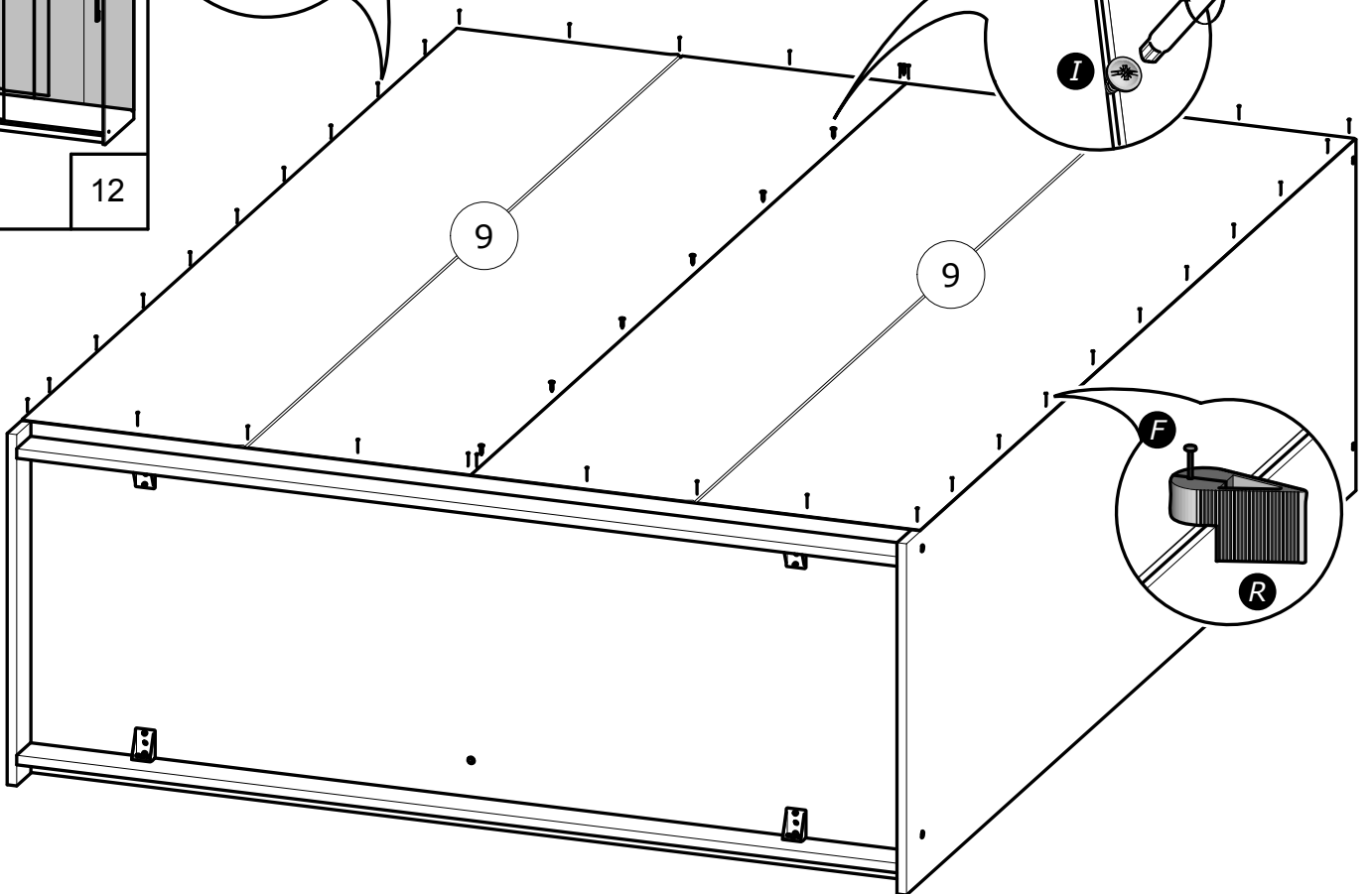
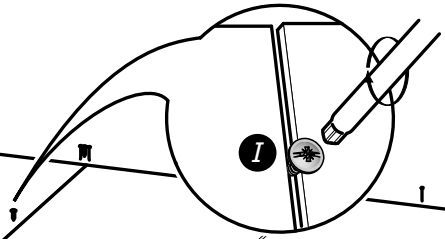
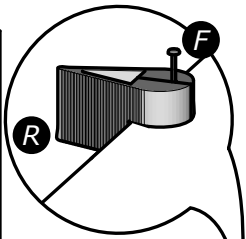
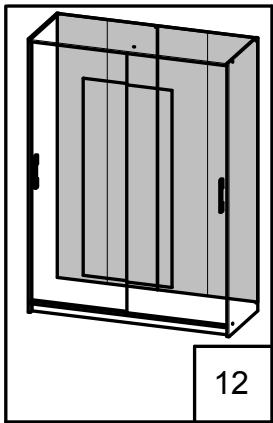
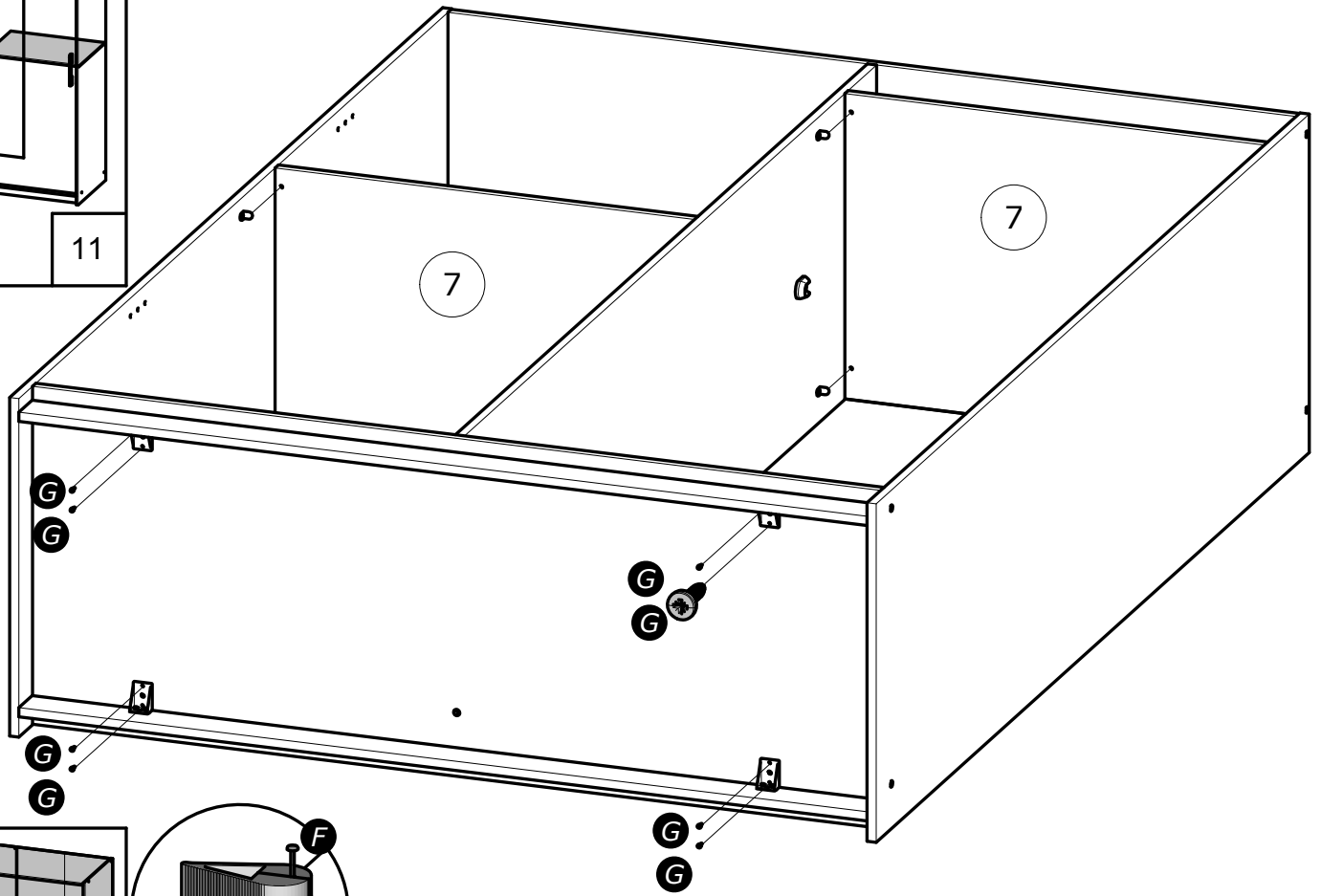
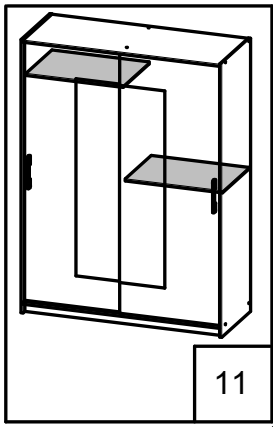


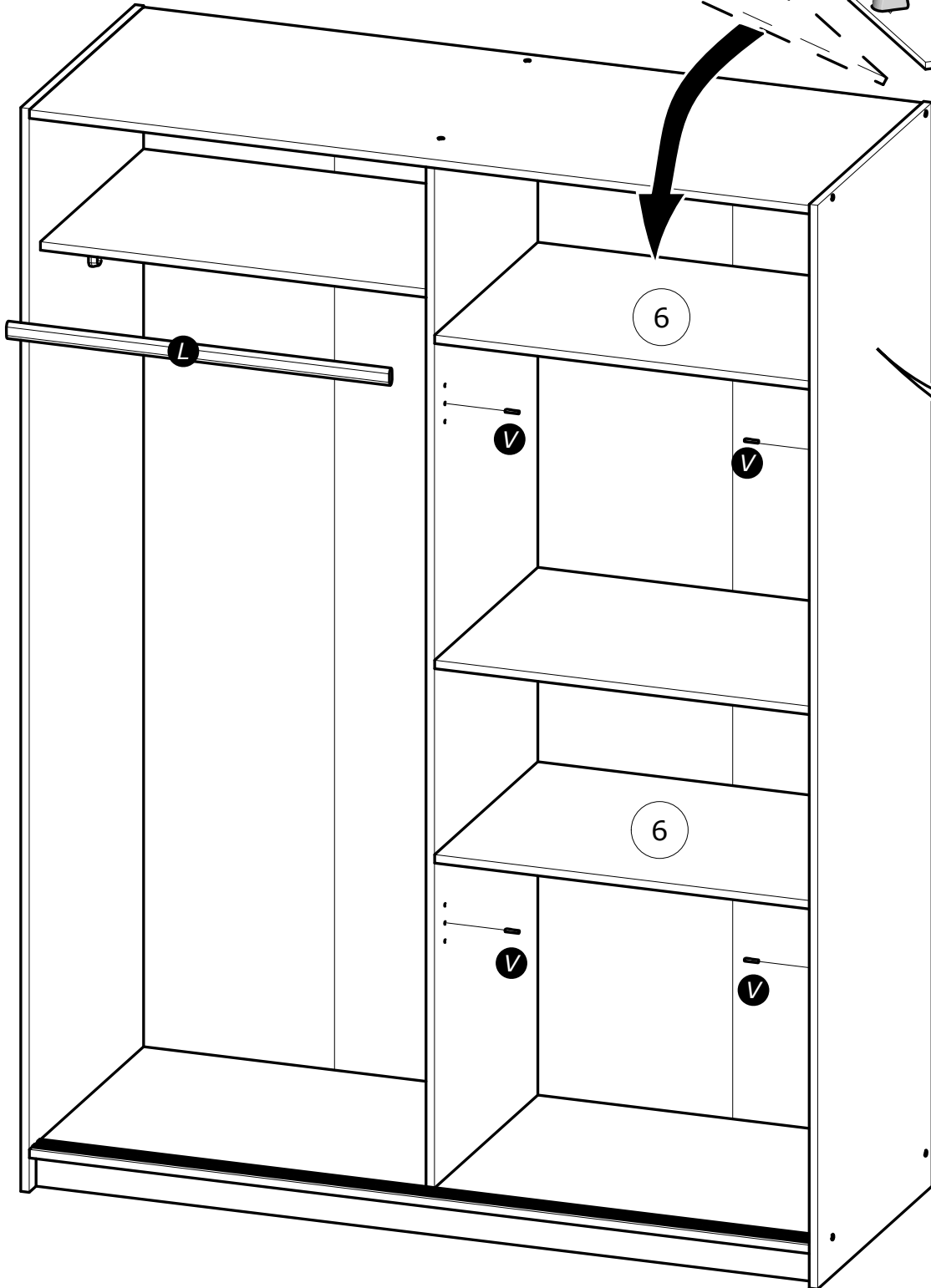
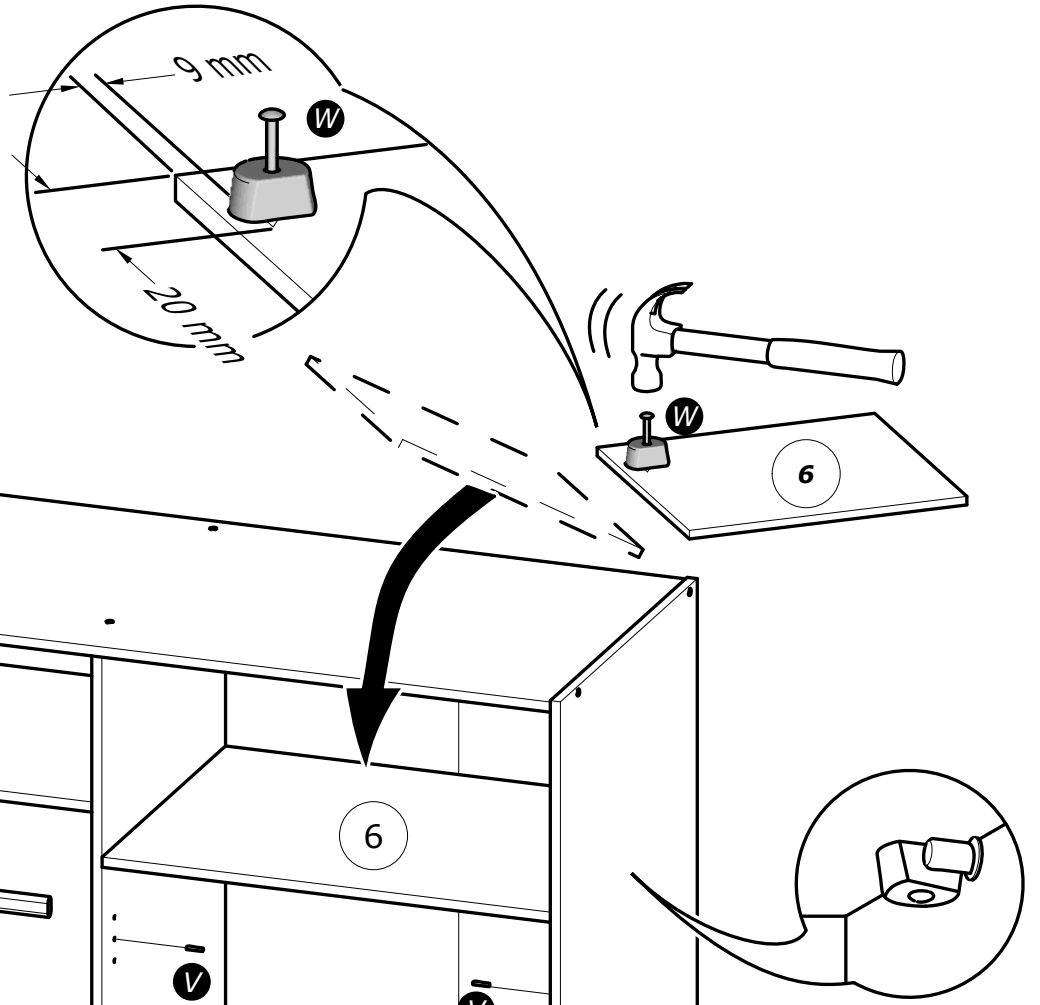
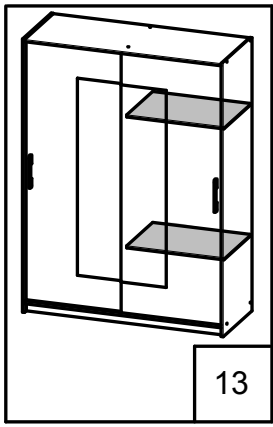


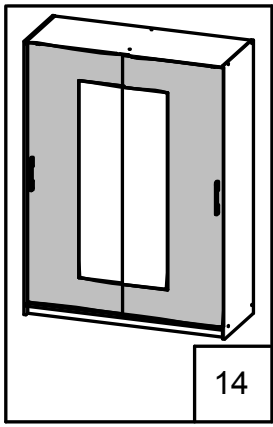




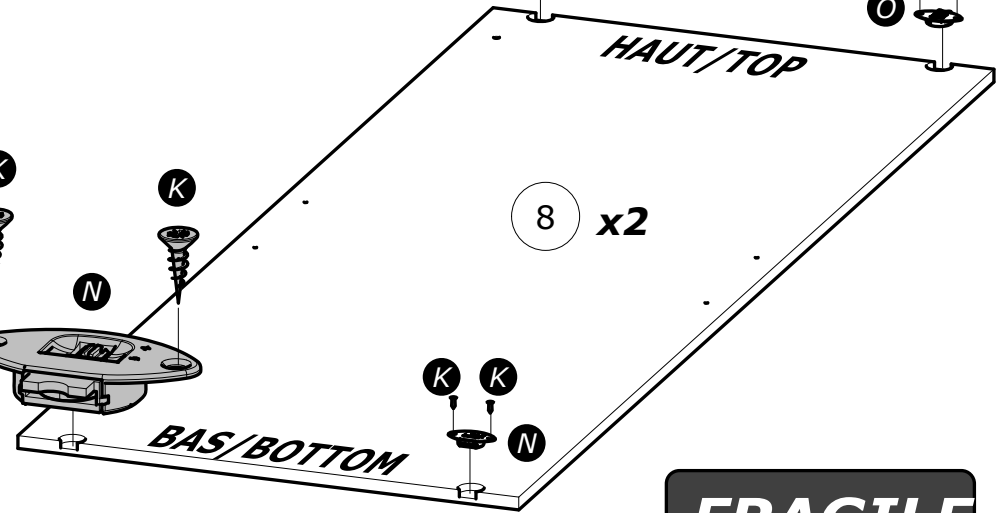
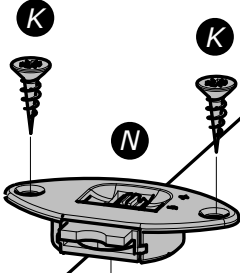
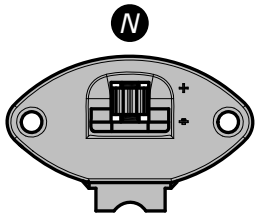
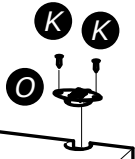
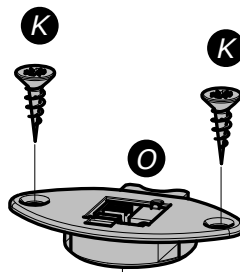
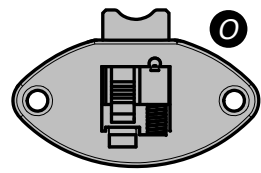




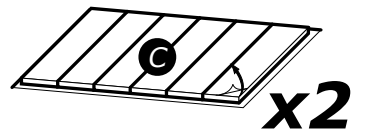
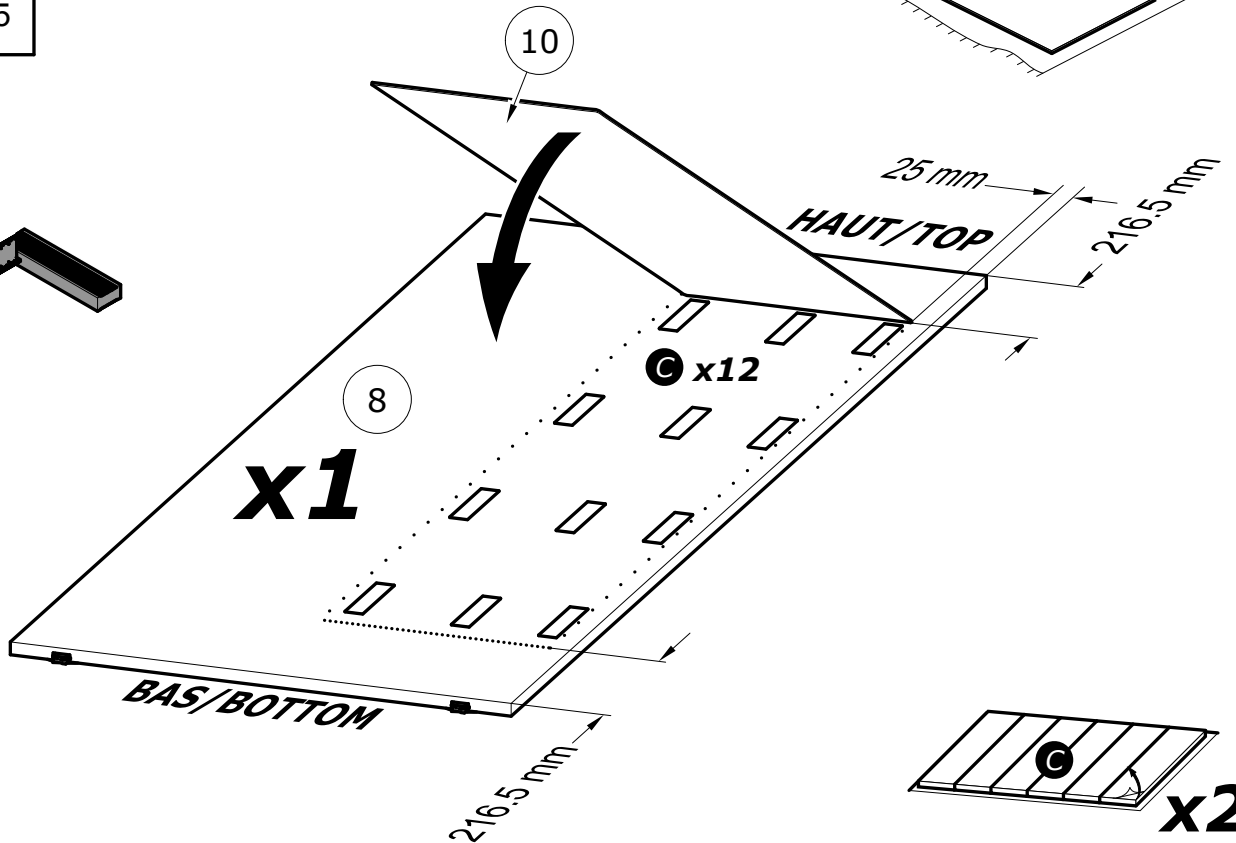
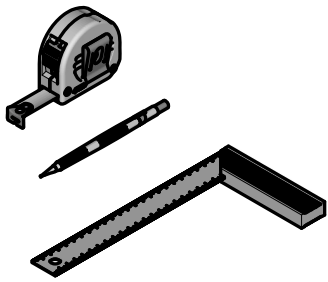
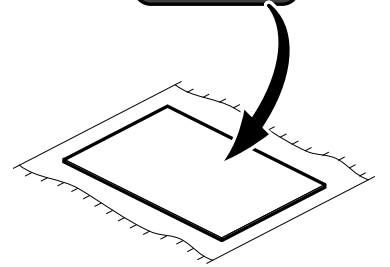
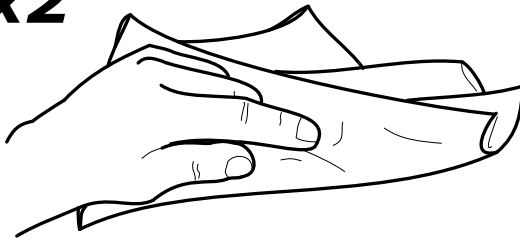
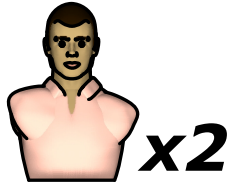
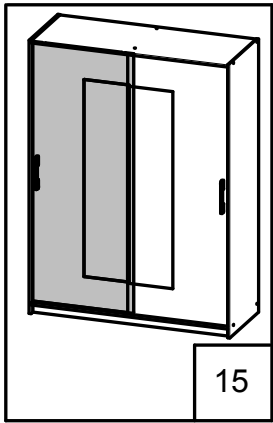


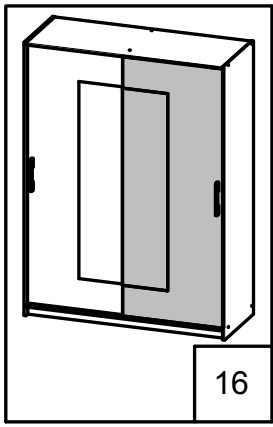


CLIC



FRAGILE



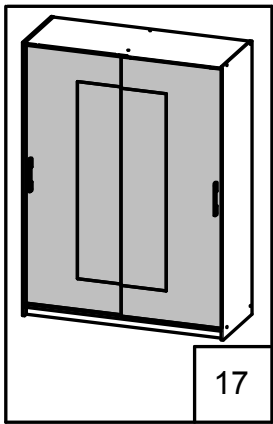
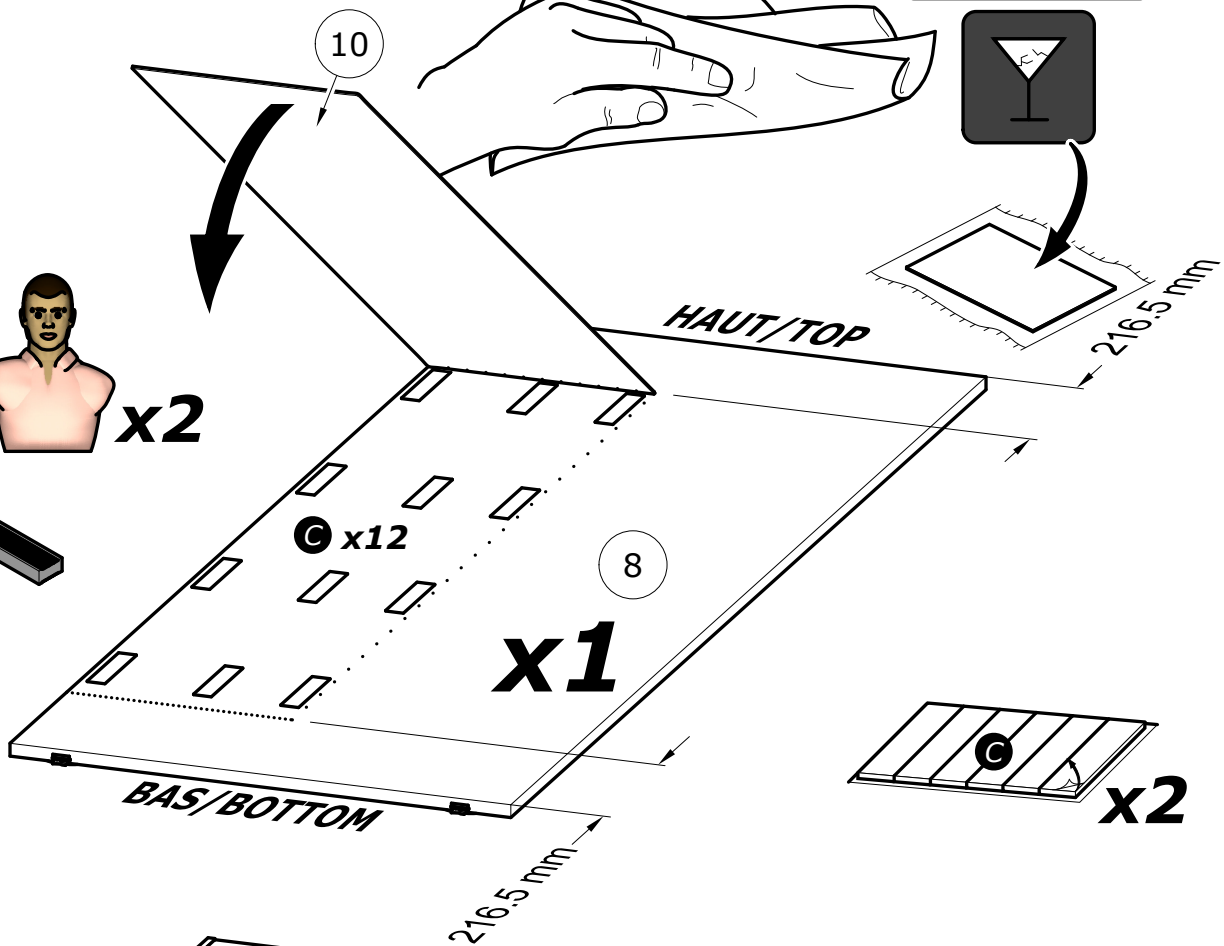
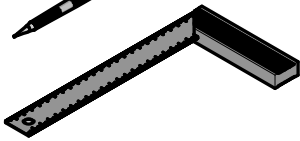


16

FRAGILE



x2



17

