

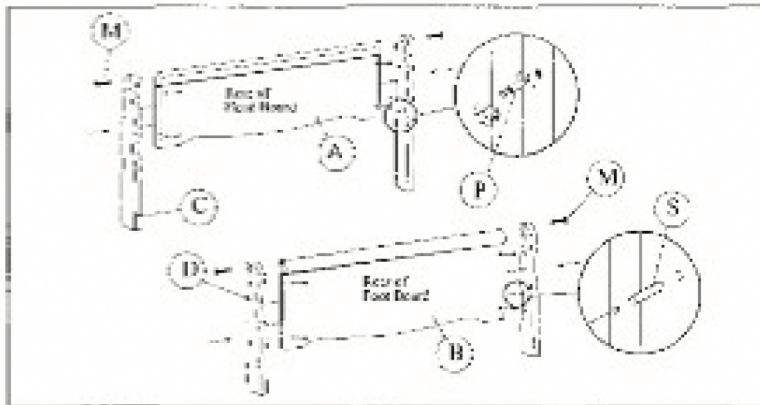
ASSEMBLY INSTRUCTION FOR 6-866-WSR-BW (LOZKO BOSTON 180 x 200)

Note:

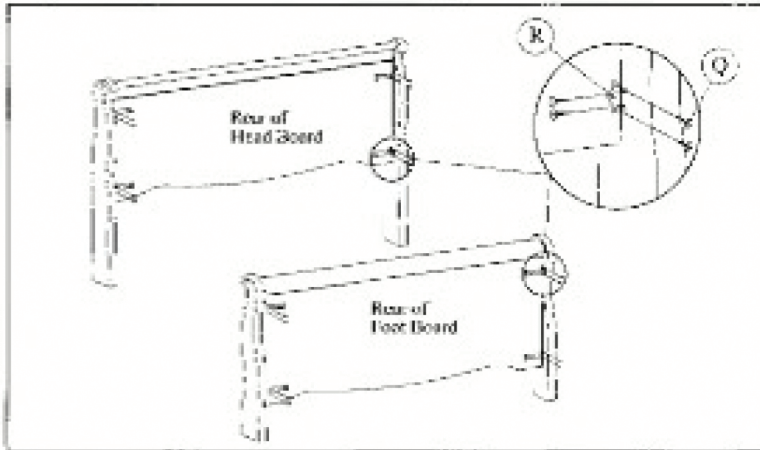
- Read instructions carefully.
- Carefully verify each step and especially those that are similar.
- Always use the right tools and work from the narrow side and fast each element in proper location before fastening.
- Do not over tighten the screws or bolts during assembling.



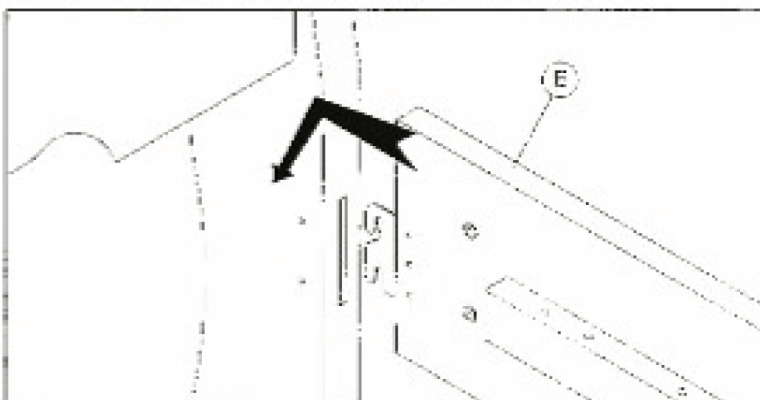
TOOL REQUIRED



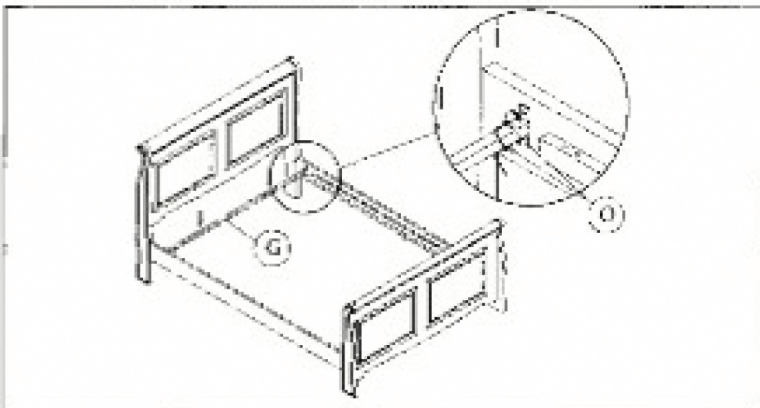
Step 1 Fix all headboard & footboard component as shown.



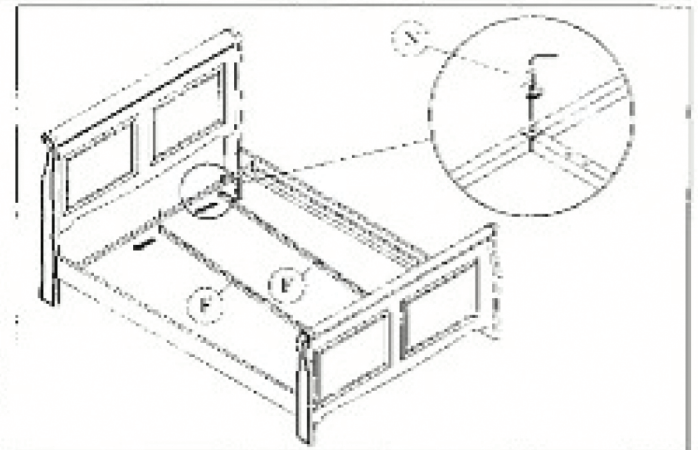
Step 2 Fix butterfly bracket at headboard & footboard as shown.



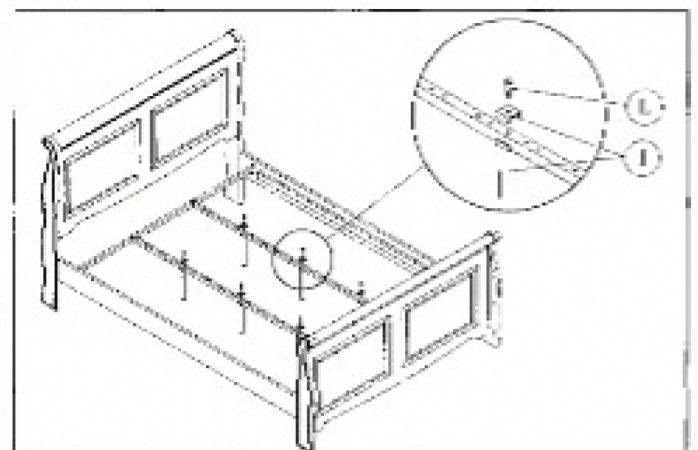
Step 3 Fix wood side rail to the head frame & foot frame by hook the side rail into the wood post as shown.



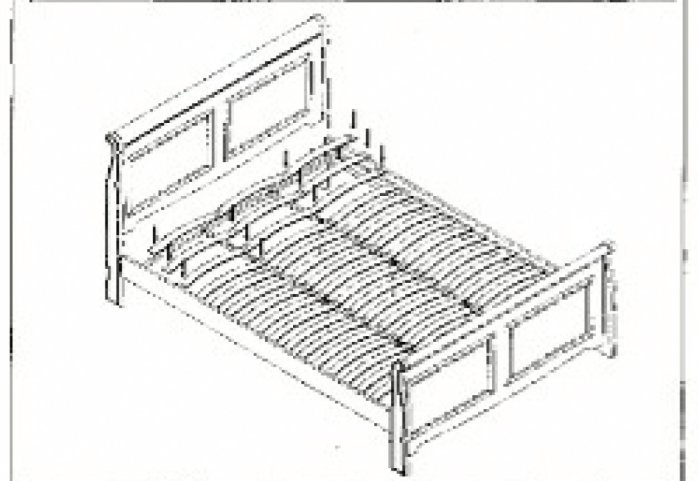
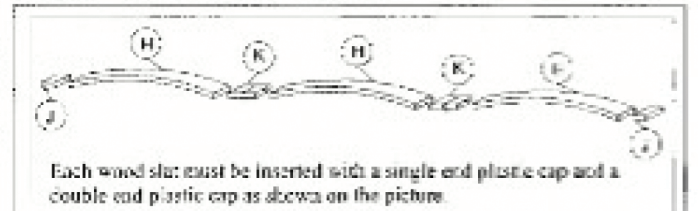
Step 4 Fix cross bar G to the side rail with bolt O as shown.



Step 4 Fix center bar F to the cross bar G with bolt N as shown.



Step 5 Fix bed support legs as shown.



Step 6 Once both wood slats have been inserted with the plastic caps, fix it on the wood side rails and center bar by pressing it accordingly to the default holes. Ensure the plastic cap's pin is aimed to the hole.

Please follow our Assembly Instruction procedure for easier assemble.