

ASSEMBLY INSTRUCTION FOR 1.6-866-NS-KD (LOZKO BOSTON 160 x 200)

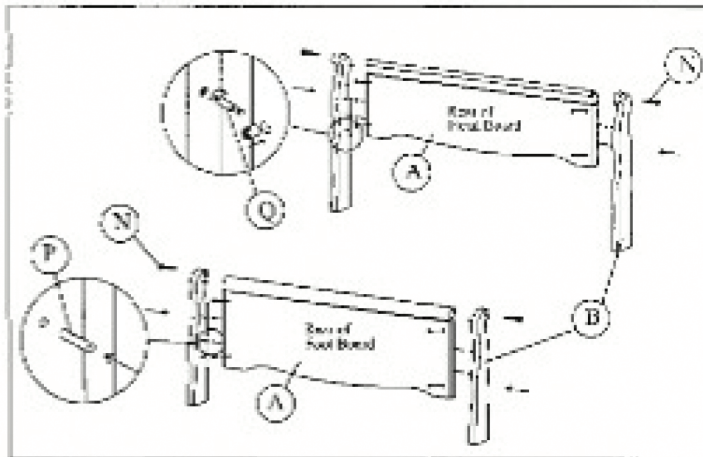
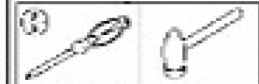
Note:

- Read instructions carefully.
- Carefully identify each component according to the Part list table.
- Separate and identify each component from the Part list, pack and put each one in its proper location before beginning.
- Do not over-tighten the screws or bolts when assembling.

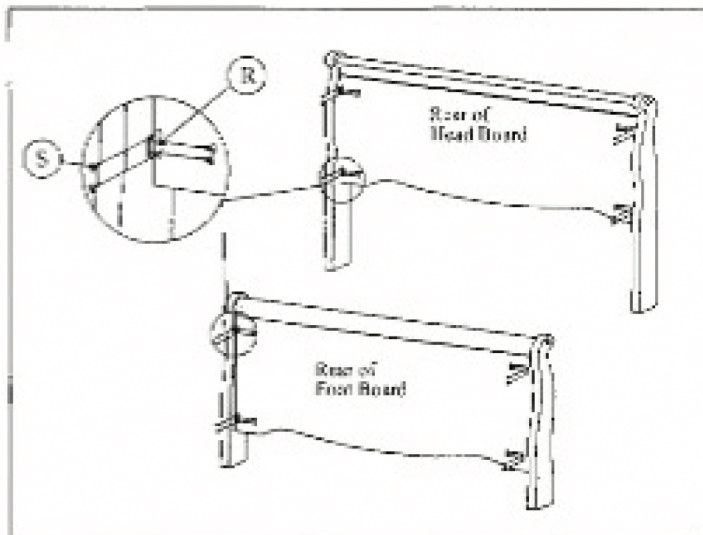


2 Persons

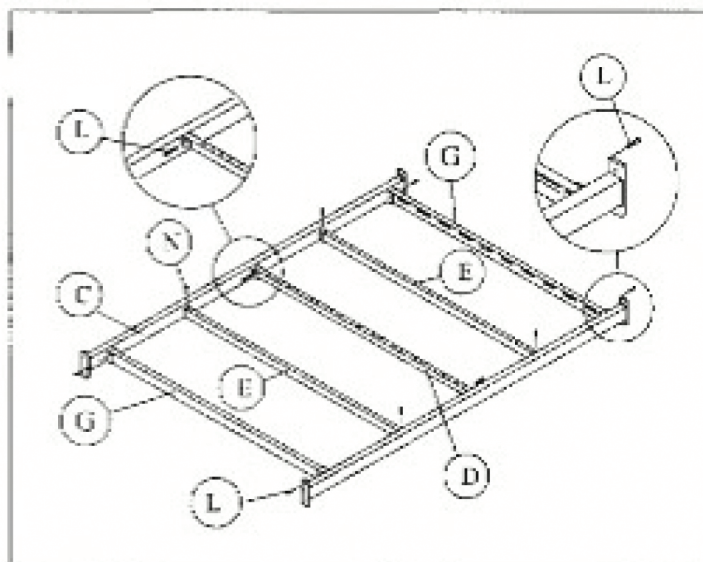
TOOL REQUIRED



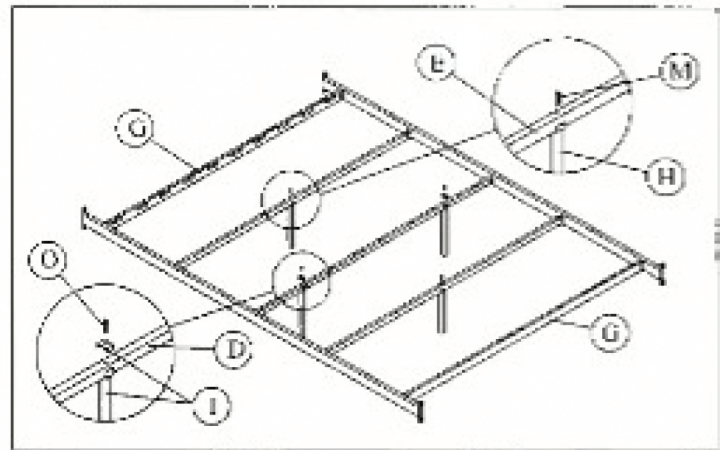
Step 1 Fix all headboard & footboard component as shown.



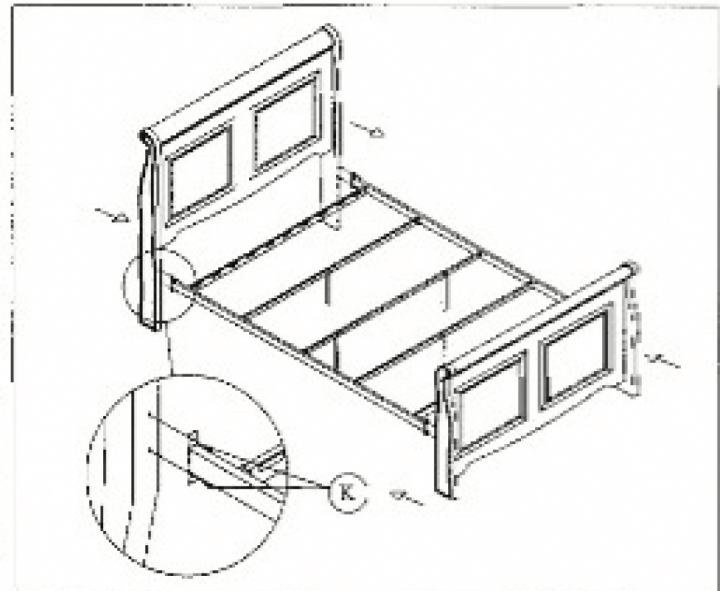
Step 2 Fix horizontally bracket at headboard & footboard as shown.



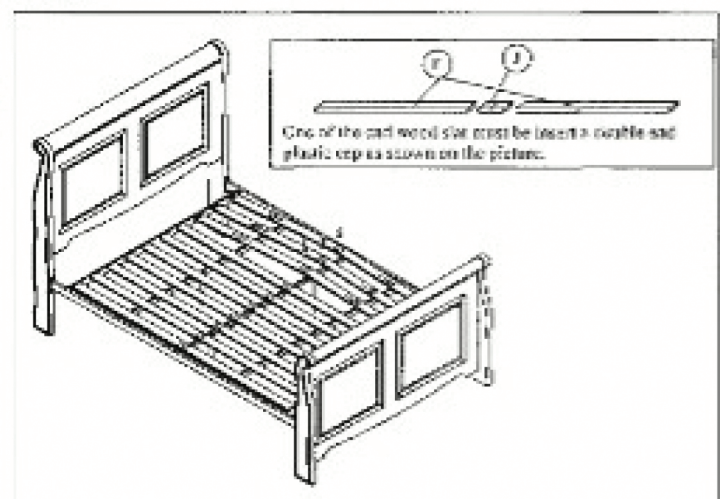
Step 3 Fix both side rails and cross bar D with bolt L, as shown diagram. Put cross bar E into side rail and fix it with bolt N. After that put end cross bar G to the end of side rail and tighten with bolt L.



Step 4 Fix bed support legs as shown on the picture.



Step 5 Assemble bed base into bed frame and tighten all bolts.



Step 6 Once wood slats have been inserted into the plastic caps, fix one end of wood slat into the hole at end cross bar G and the other end to the other end cross bar. After that fix the plastic cap to the center cross bar by pressing it accordingly to the default holes. Ensure the plastic caps put aimed to the hole.

Please follow our Assembly Instruction procedure for easier assemble.