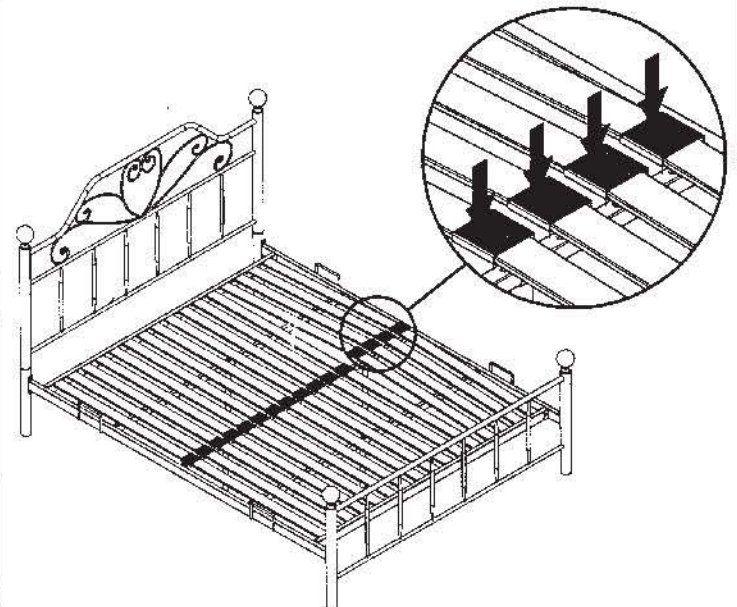
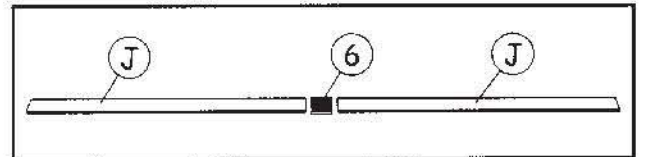
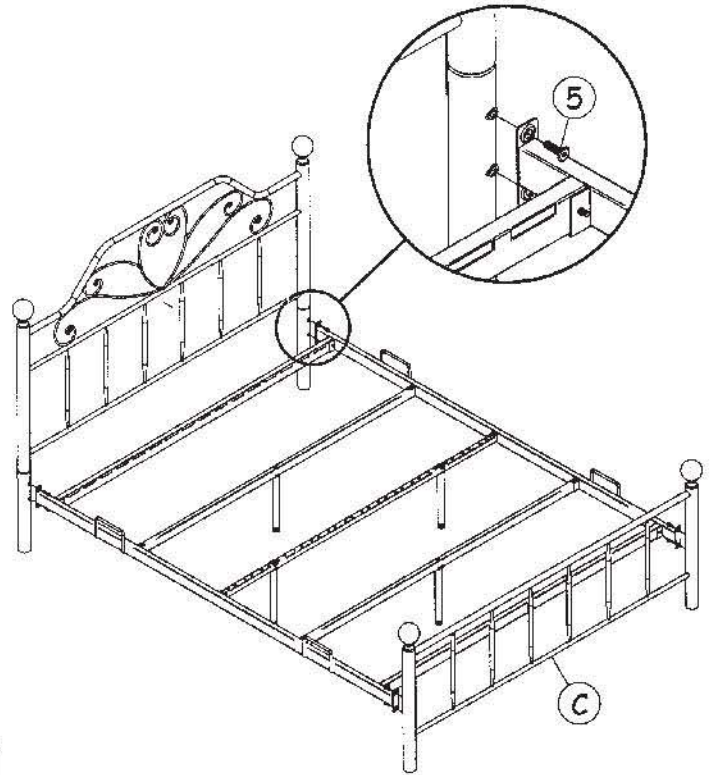
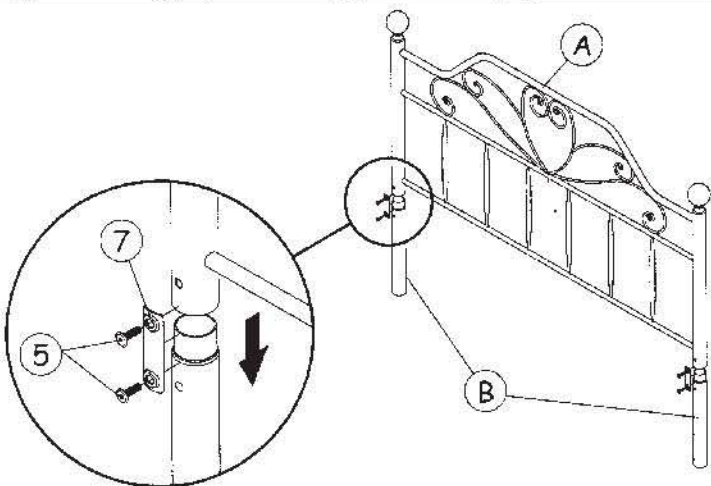
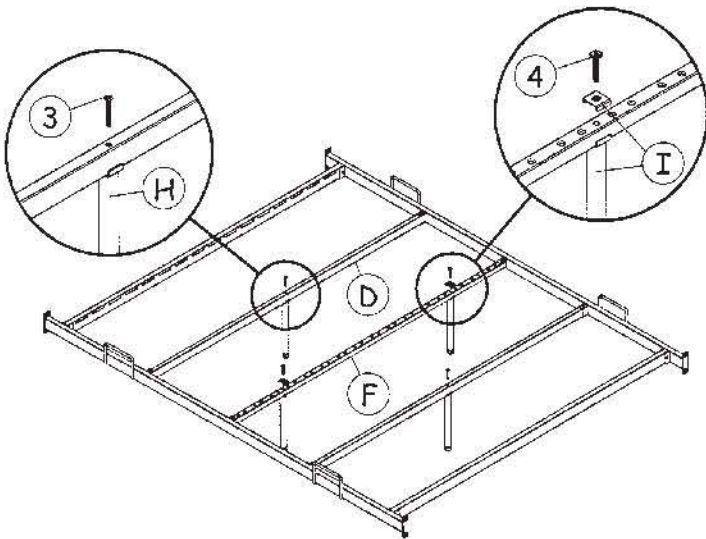
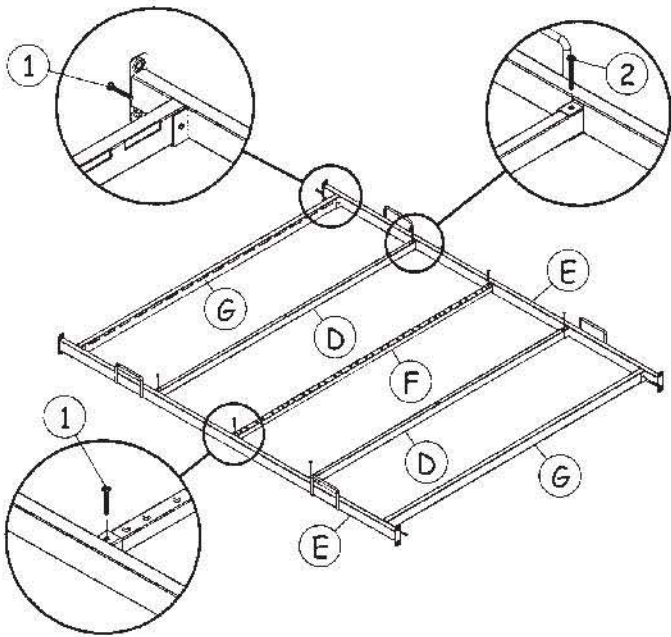
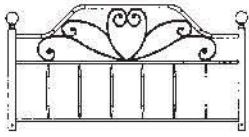
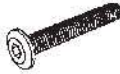


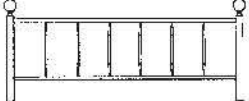

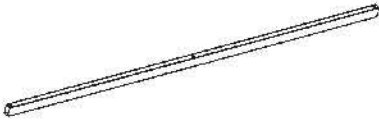
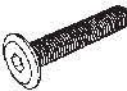
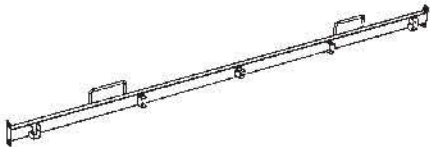


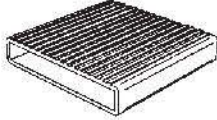
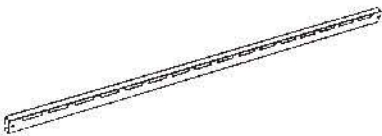
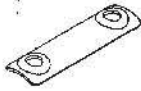







# LOZKO LIMA 160X200



# LOZKKO LIMA 160X200

NO.	PART	QTY.	NO.	HARDWARE	QTY.
A		1	1	 M6 x 40mm	6 PCS
B		2	2	 M6 x 50mm	4 PCS
C		1	3	 M6 x 45mm	2 PCS
D		2	4	 M8 x 40mm	2 PCS
E		2	5	 M8 x 25mm	12 PCS
F		1	6		16 PCS
G		2	7		2 PCS
H		2	8	 M6	1 PC
I		2	9	 M8	1 PC
J		32			