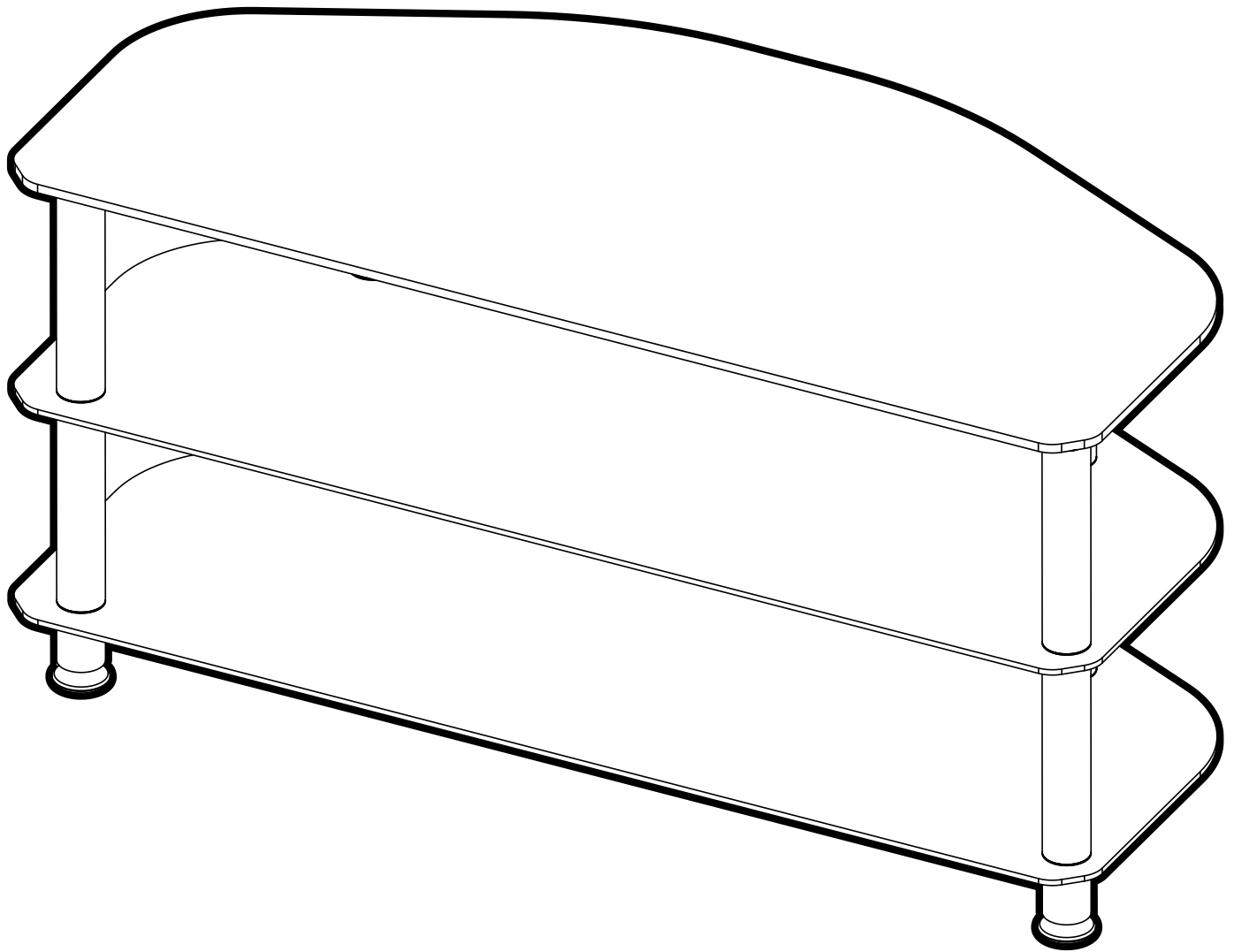


**Product Name: DAIS**  
**Product Ref: D80B/D100B**  
**Art number: 403800/403100**

**TECH LINK™**

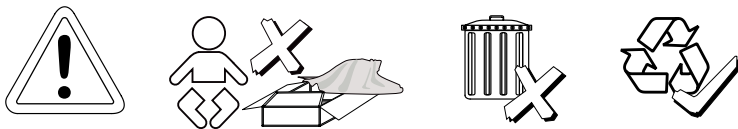
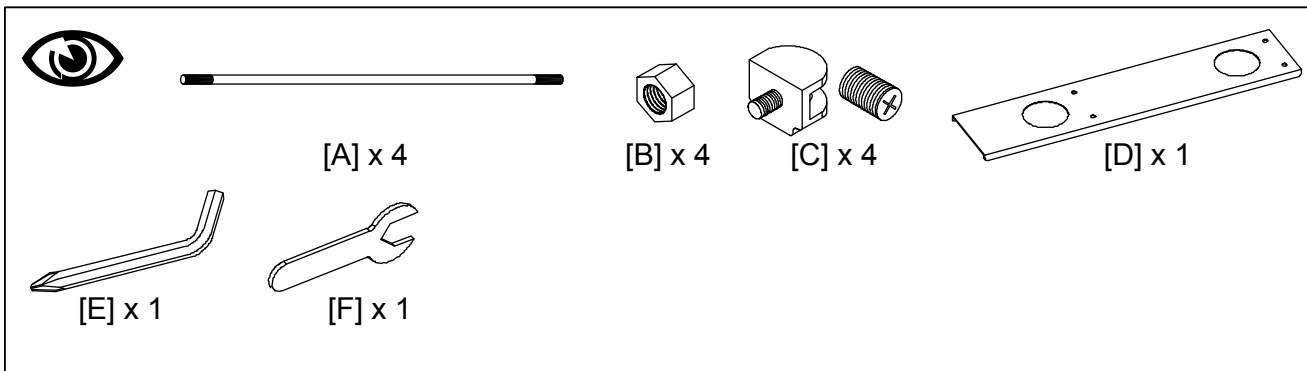
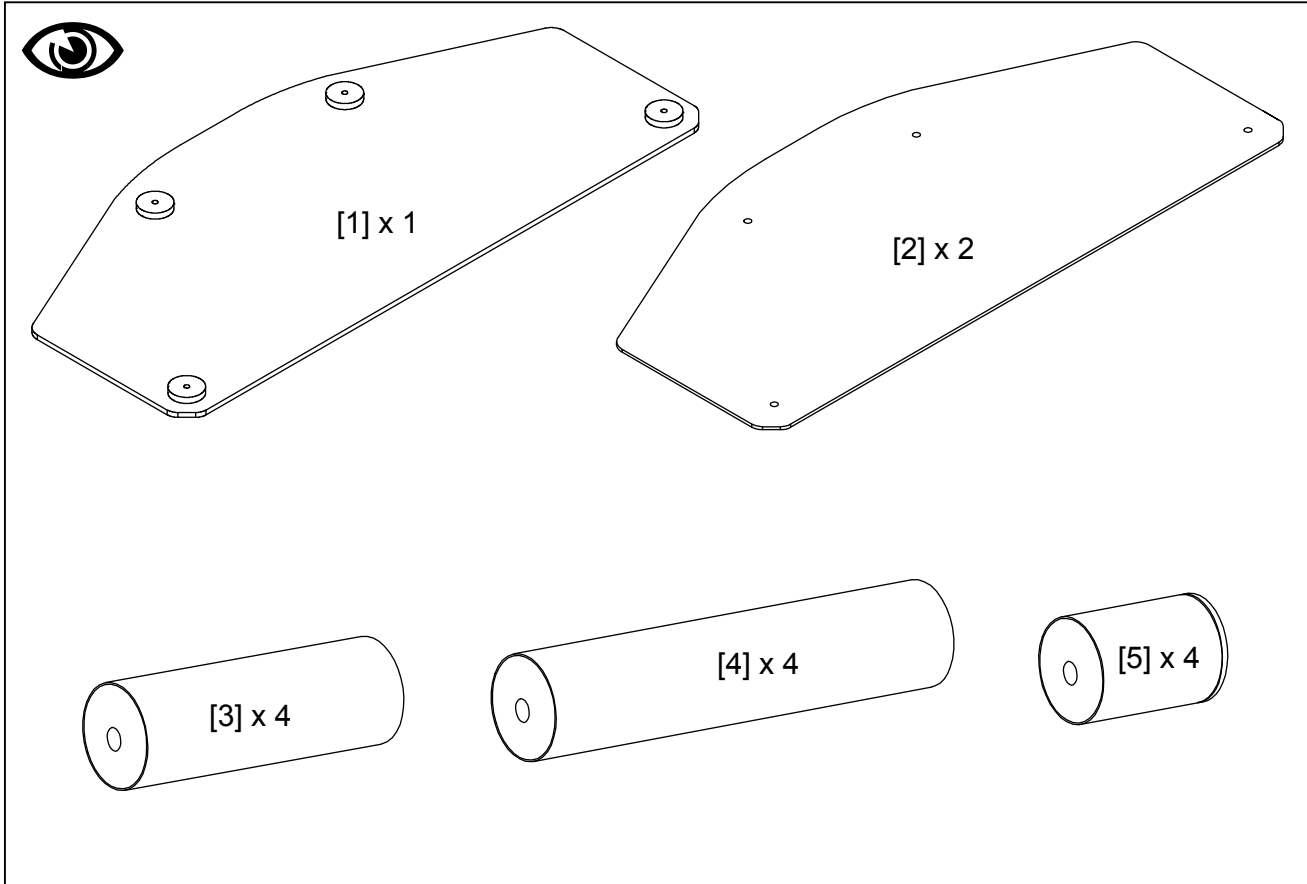
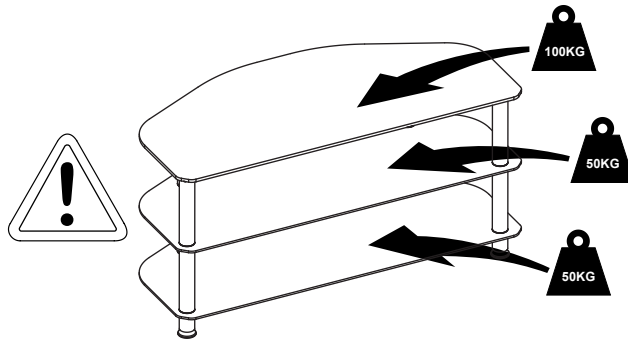
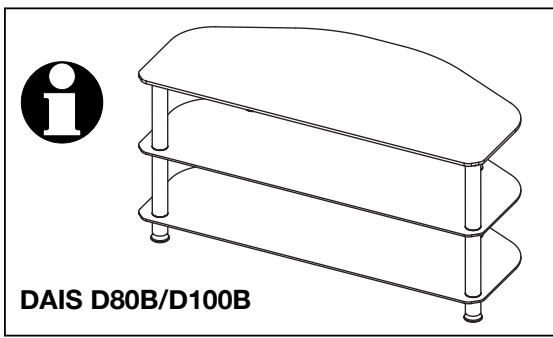


**TECHLINK , A Division Of Tapehand Ltd.**  
Units 7 and 8 Bat and Ball Enterprise Centre  
Bat and Ball Road  
Sevenoaks  
Kent  
United Kingdom  
TN14 5LJ



**0800 634 2699**

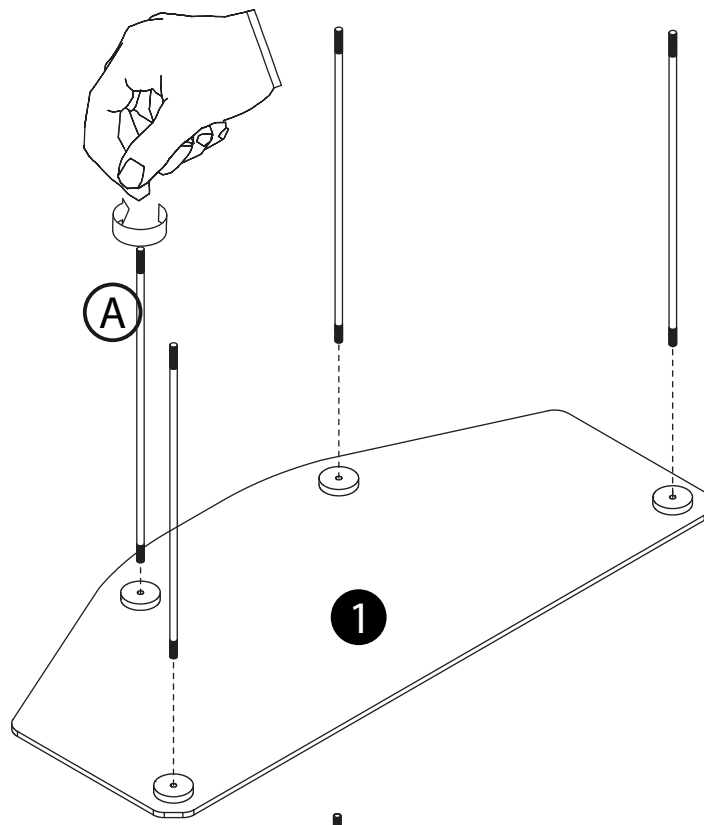
**spares@techlink.uk.com**



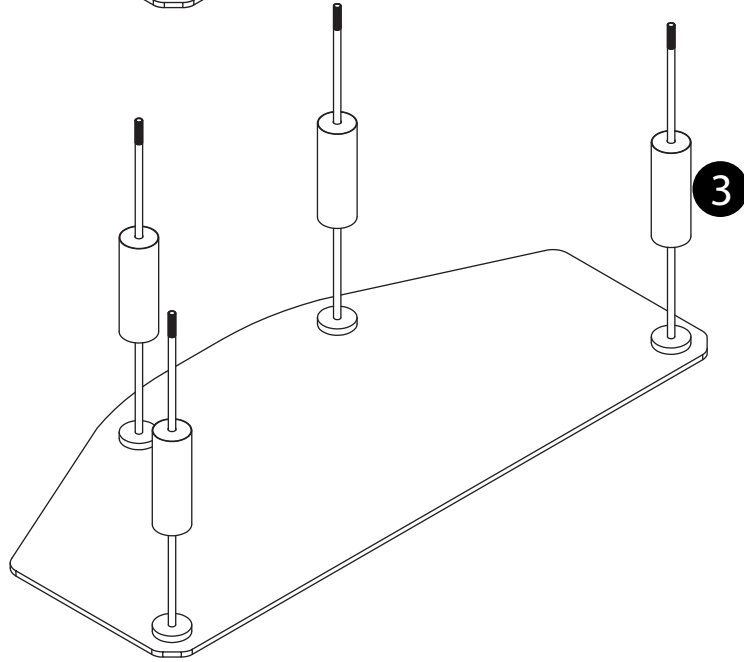
1

A

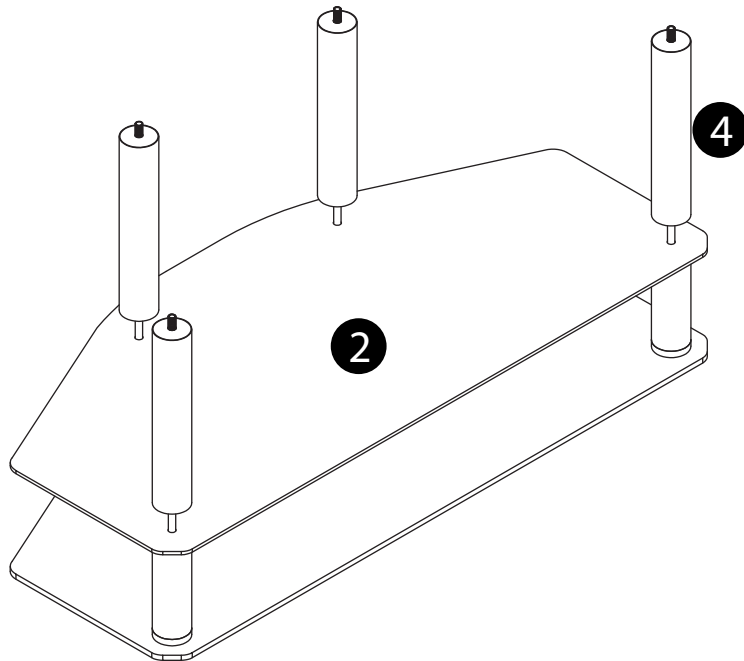
x4



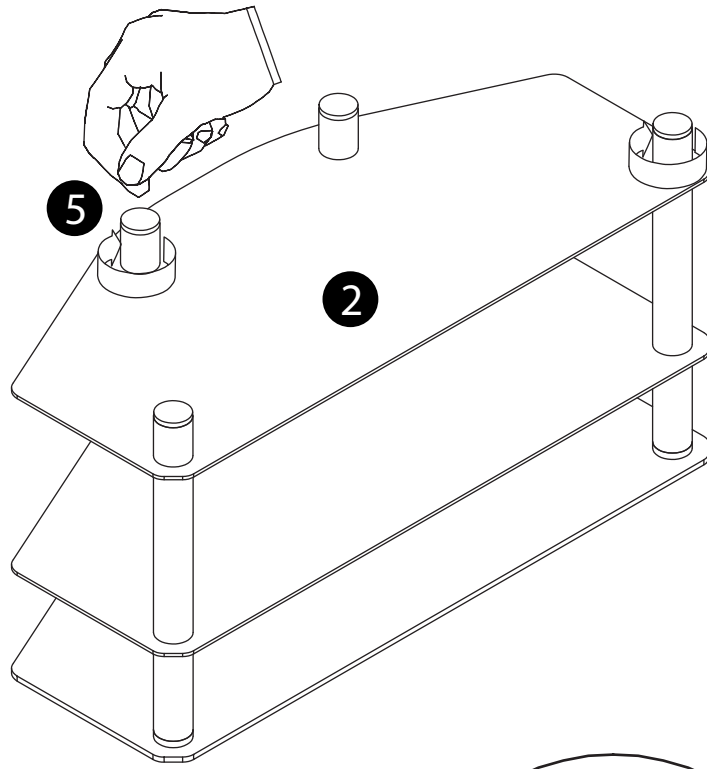
2



3



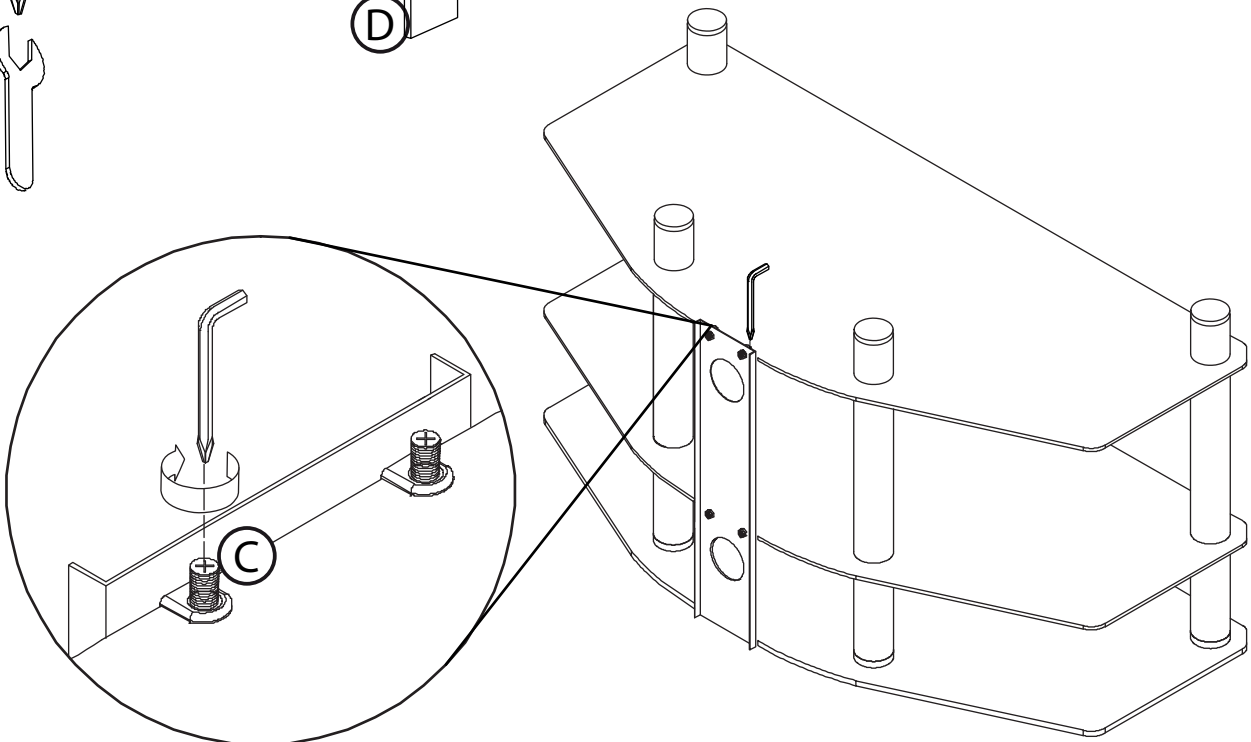
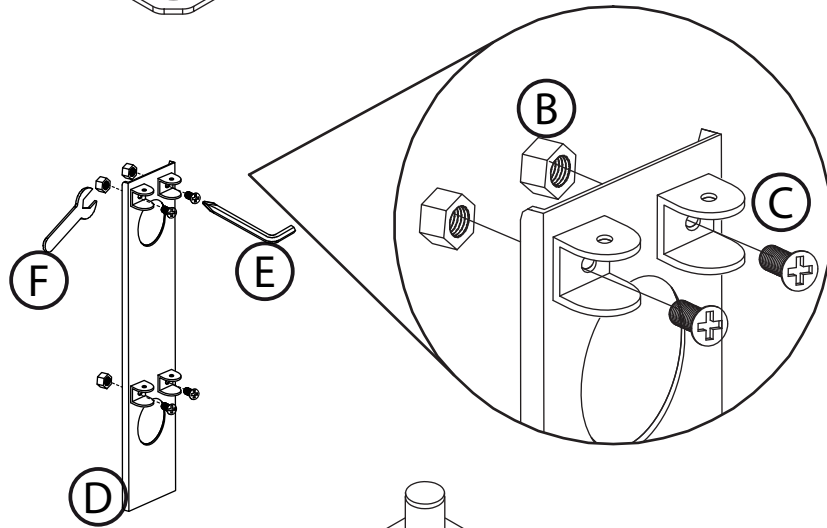
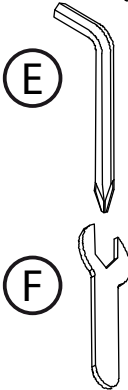
4



5

(B) [nut icon] x4

(C) [bracket and screw icon] x4



Caution when turning the stand over  
best done with two people

D80B/D100B REV3