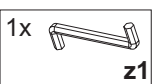
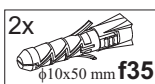
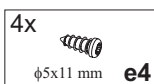
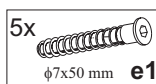
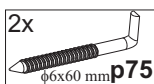
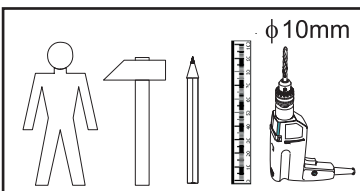
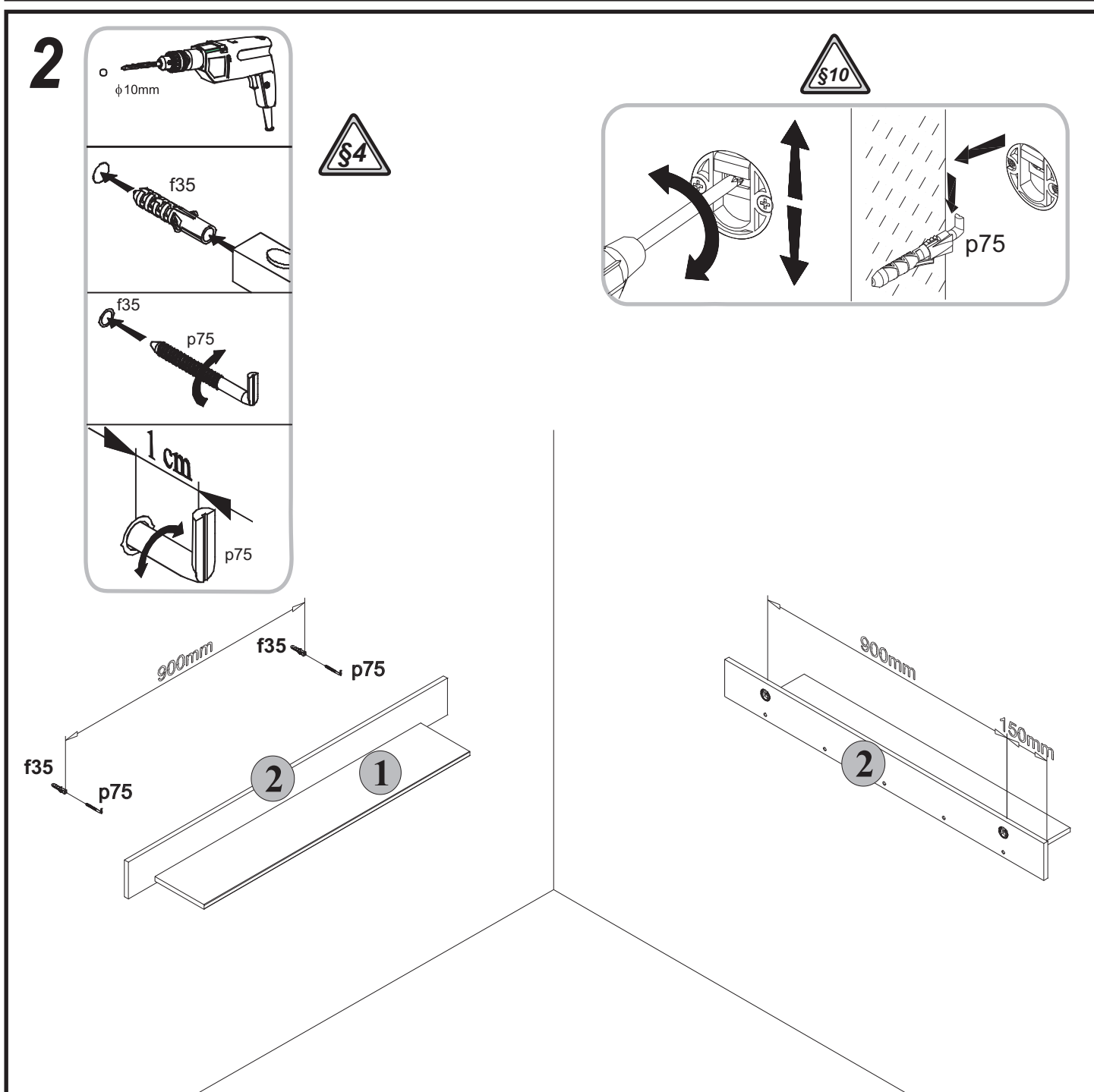
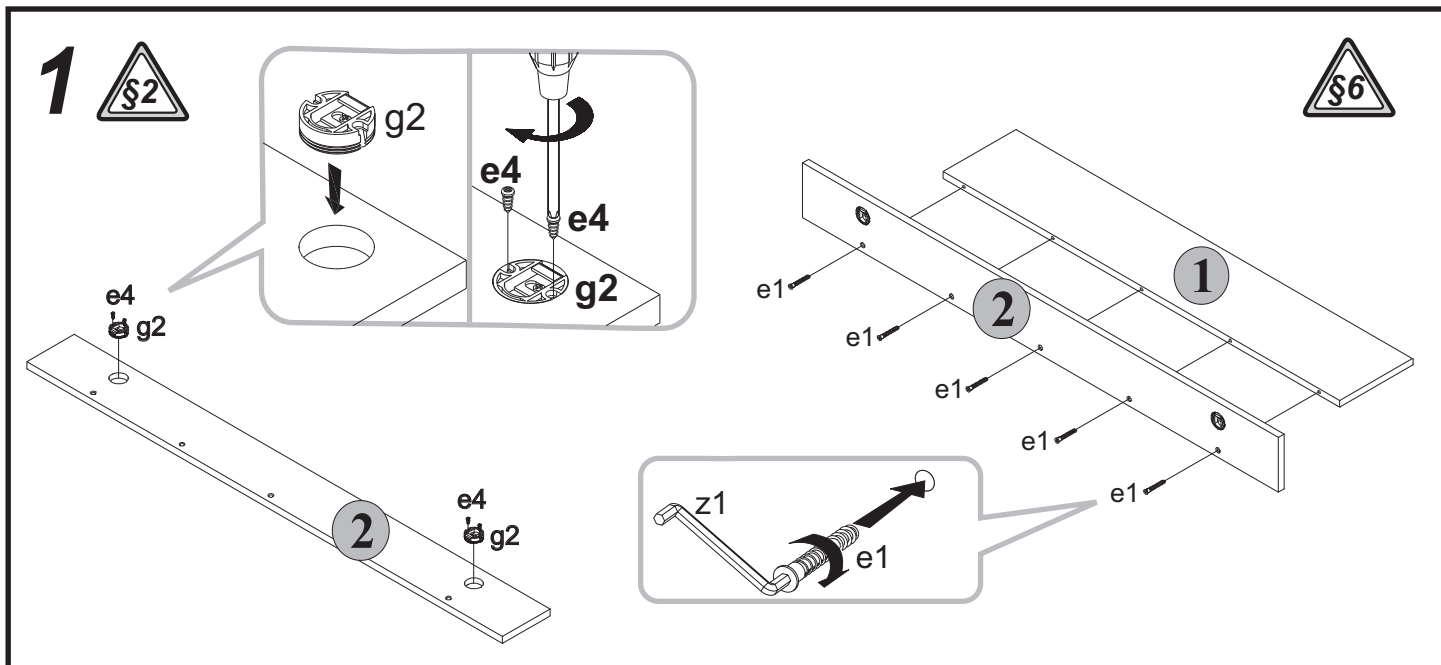
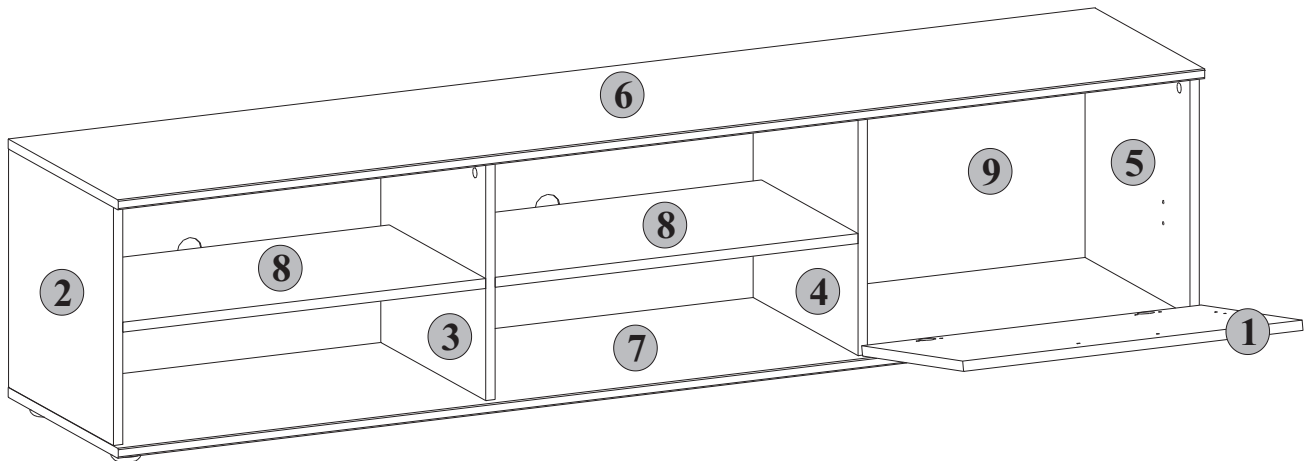
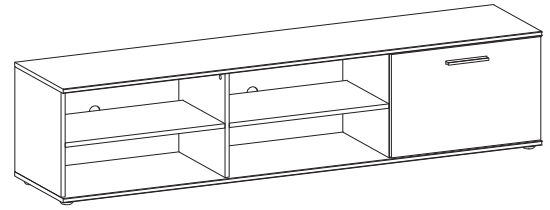


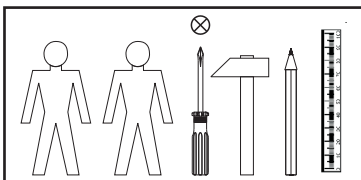
| A | B | C | D |
|---|----------|----------|-----|
| 1 | S302-201 | 1000x185 | 1/1 |
| 2 | S302-501 | 1200x120 | 1/1 |
| | | | |
| | | | |
| | | | |





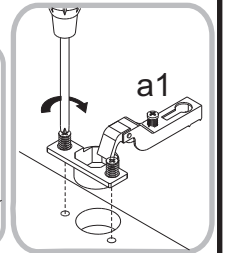
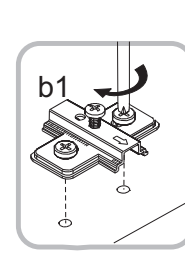
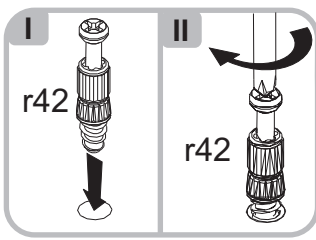
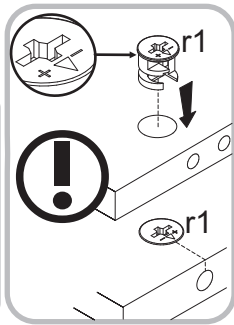
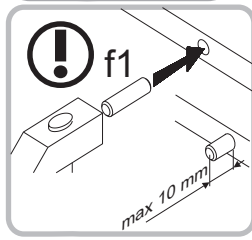
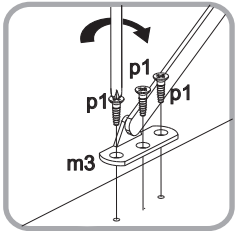
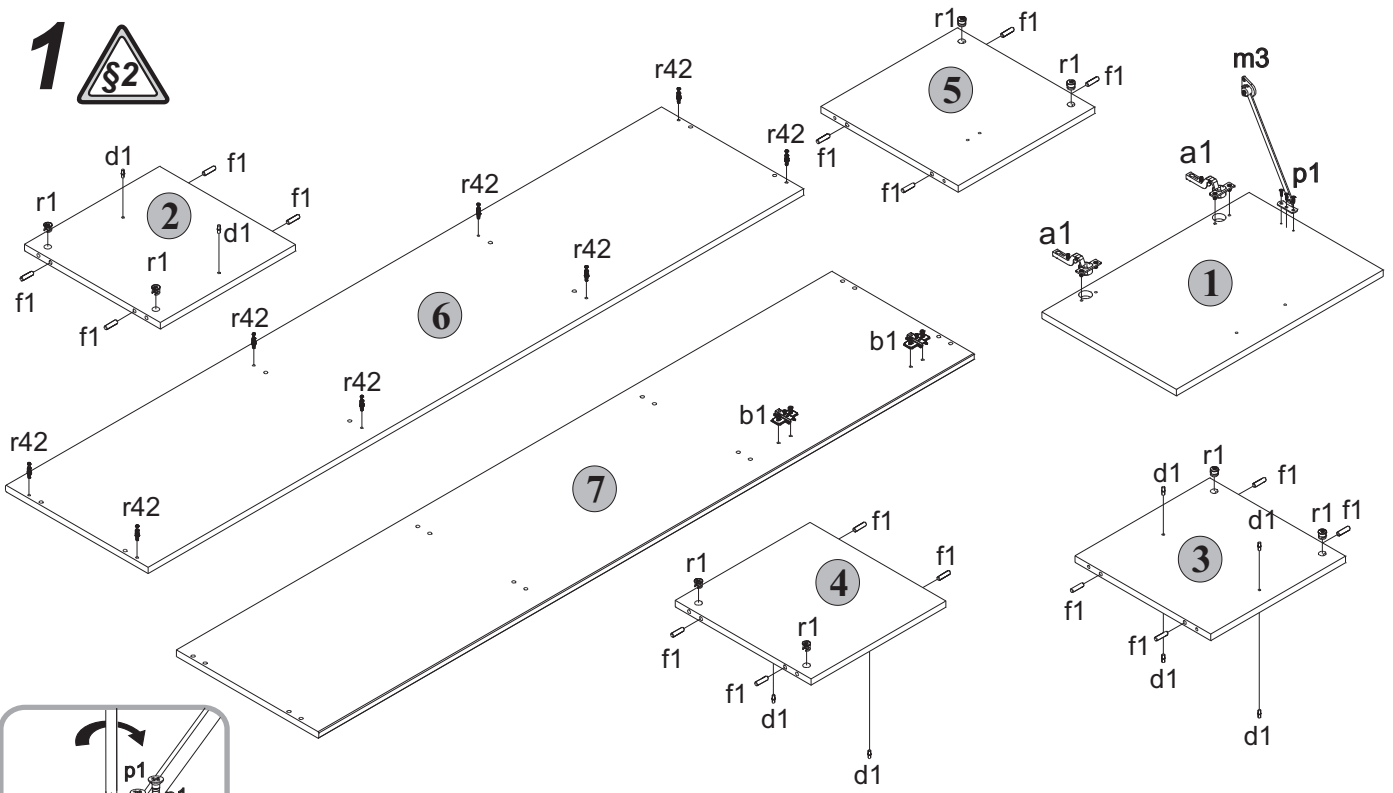


| A | B | C | D |
|---|----------|----------|---|
| 1 | S302-001 | 546x354 | 4 |
| 2 | S302-101 | 360x362 | 4 |
| 3 | S302-102 | 360x362 | 4 |
| 4 | S302-103 | 360x362 | 4 |
| 5 | S302-104 | 360x362 | 4 |
| 6 | S302-202 | 1748x380 | 4 |
| 7 | S302-205 | 1748x380 | 4 |
| 8 | S302-301 | 584x332 | 4 |
| 9 | S302-901 | 1741x385 | 4 |

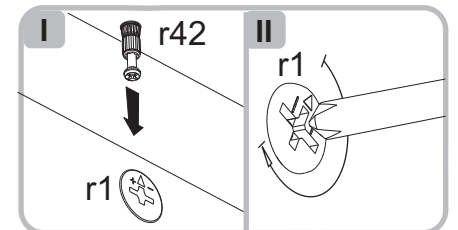
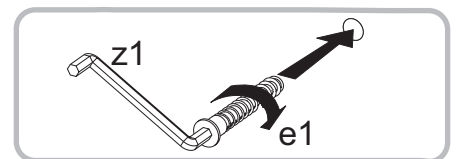
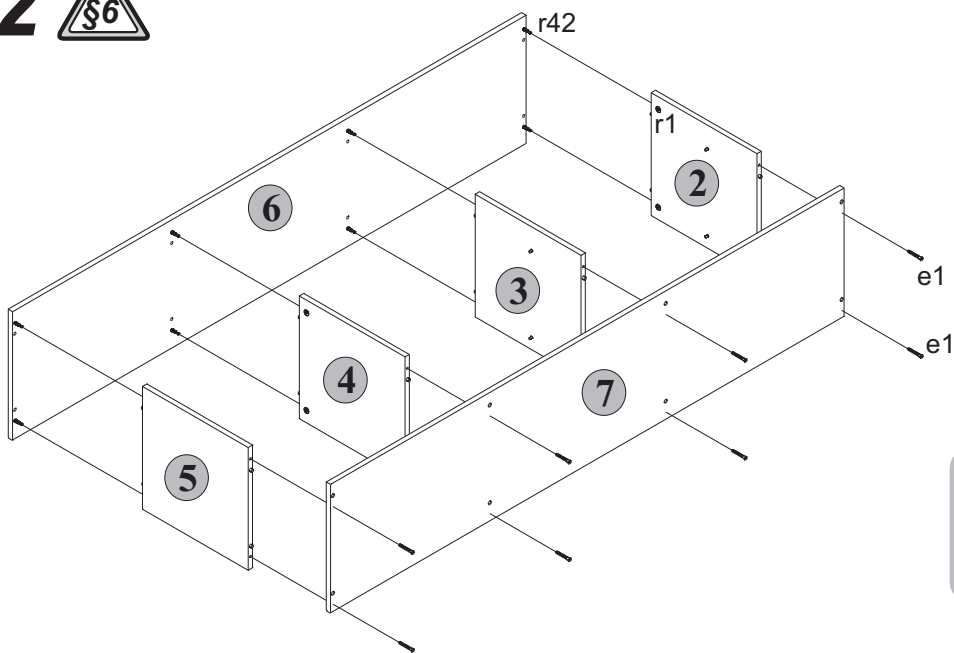


| | | | | | | | | |
|------------------------|-----------------|-------------------|------------------------|-----------------------|-----------------------|--------------------------|-----------------------|----------|
| 8x φ5x17 mm d1 | 4x ø16 s2 | 2x K16 a1 | 2x b1 | 1x c365 | 8x φ7x50 mm e1 | 2x φ6x13 mm e3 | 16x φ8x30 mm f1 | |
| 6x φ45x15 mm k50 | 50x l1 | 1x L-236 m3 | 3x φ3.5x13 mm p1 | 2x φ4x22 mm p60 | 6x φ4x20 mm p68 | 8x φ15x12mm #16 r1 | 8x r42 | 1x z1 |

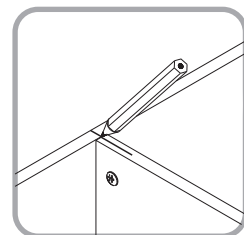
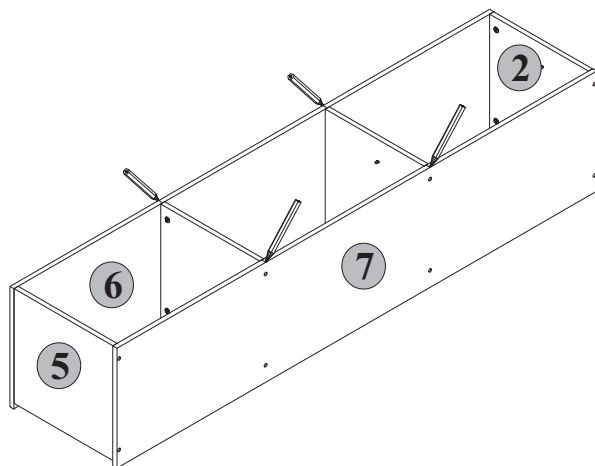
1



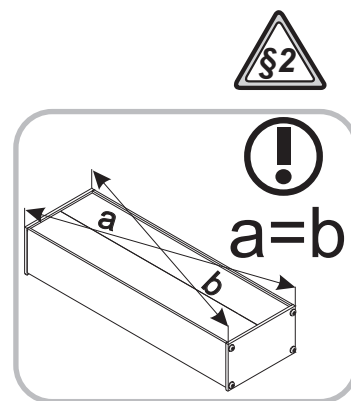
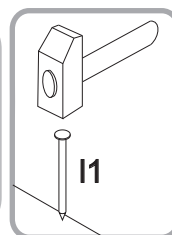
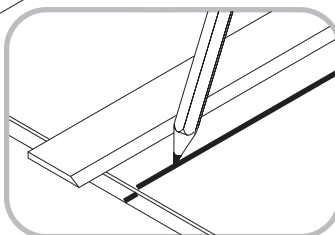
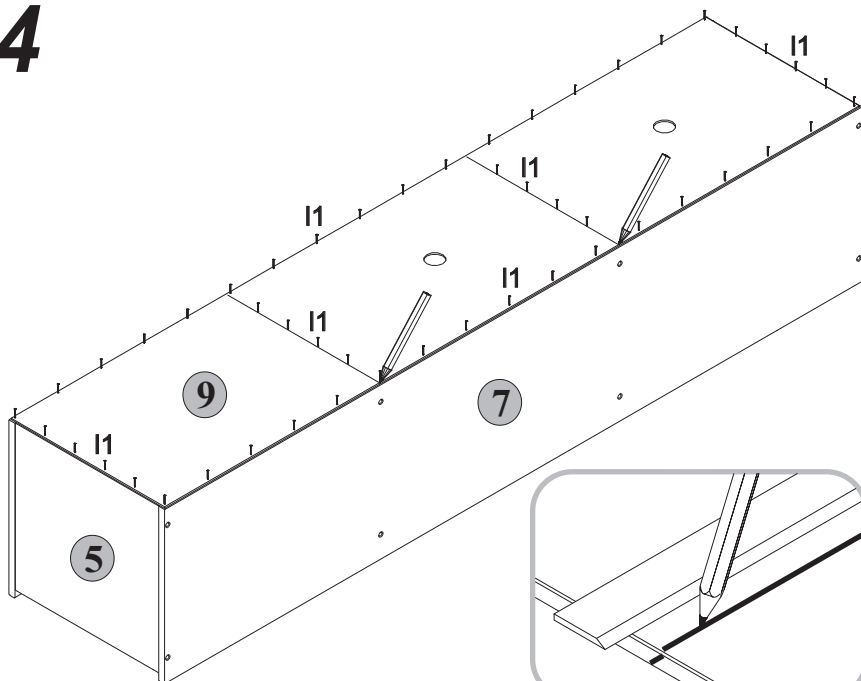
2



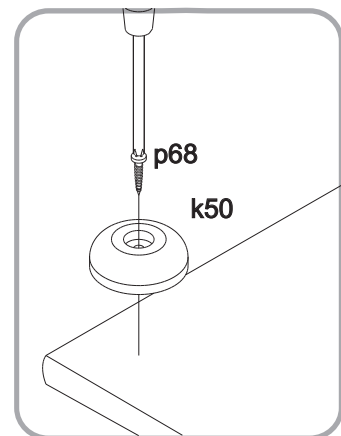
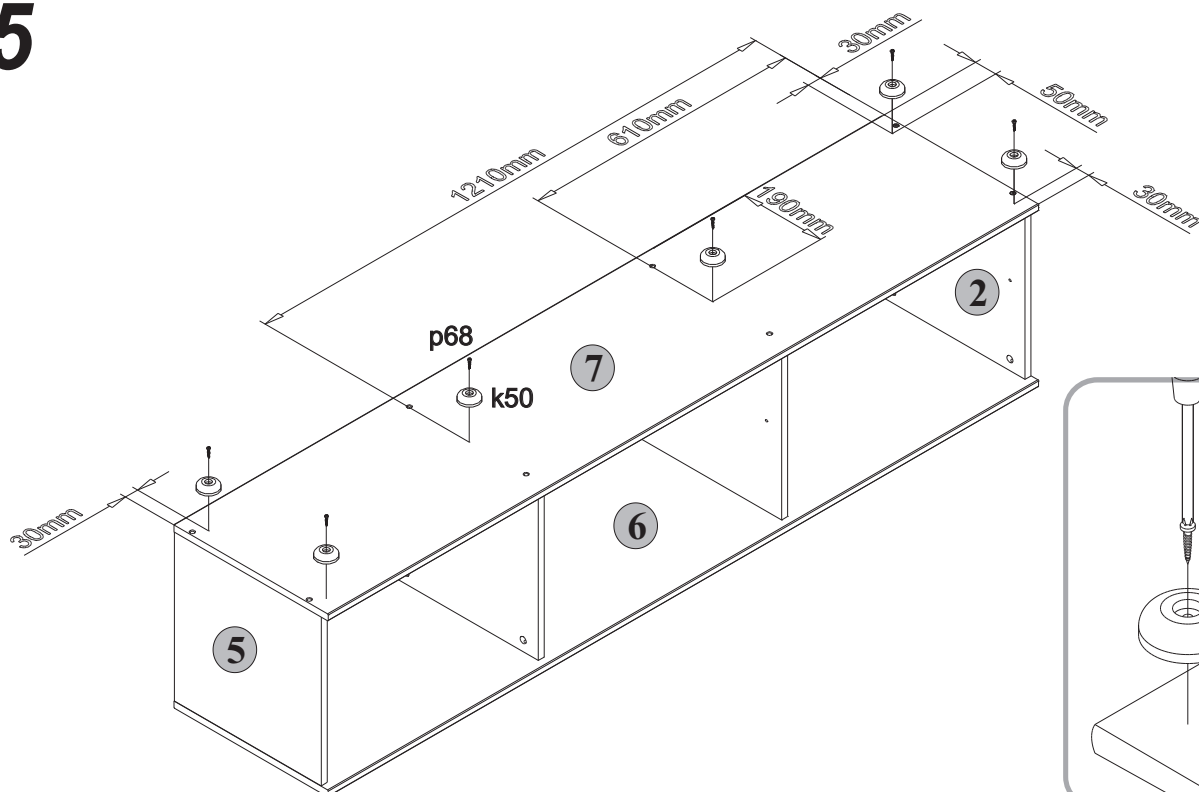
3



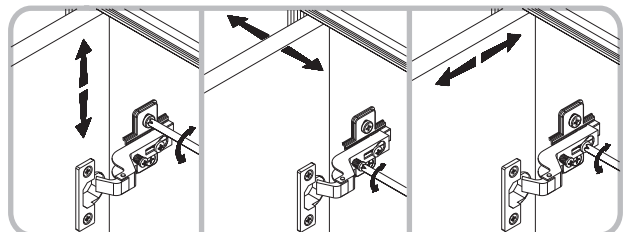
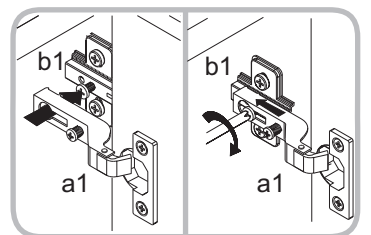
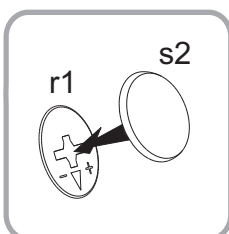
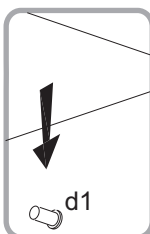
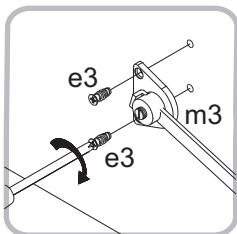
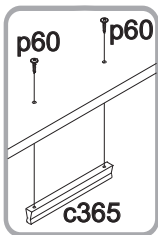
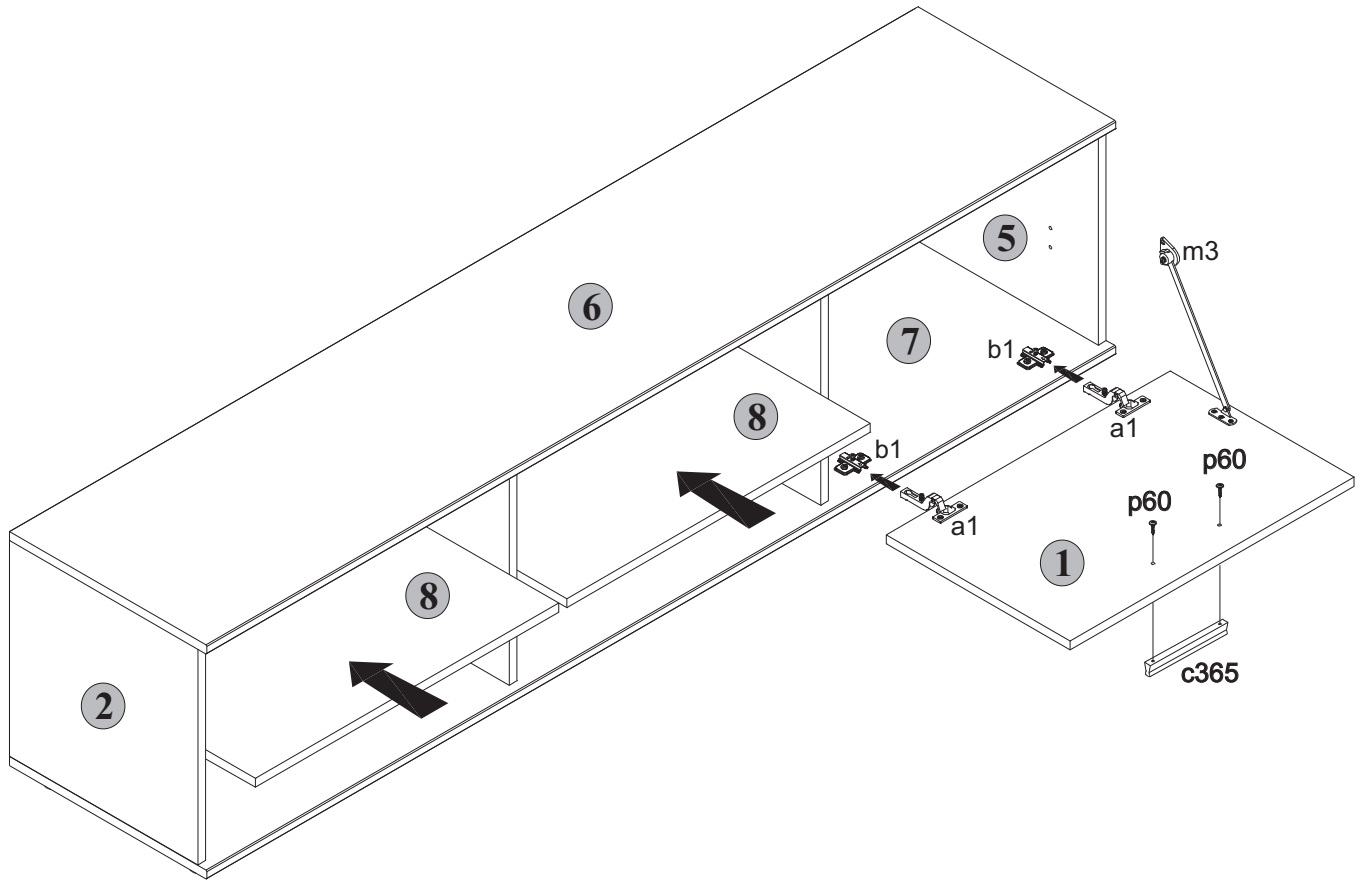
4



5



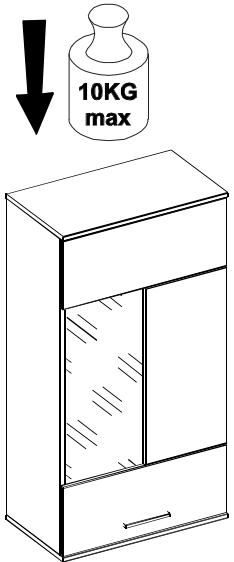
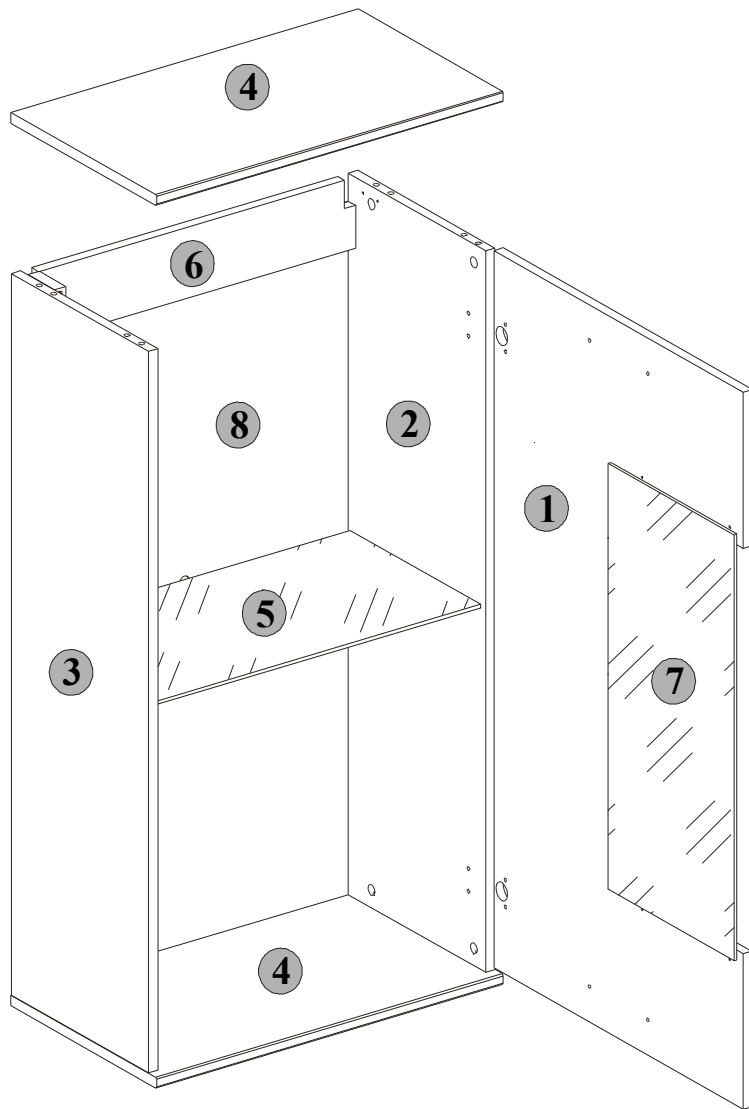
6



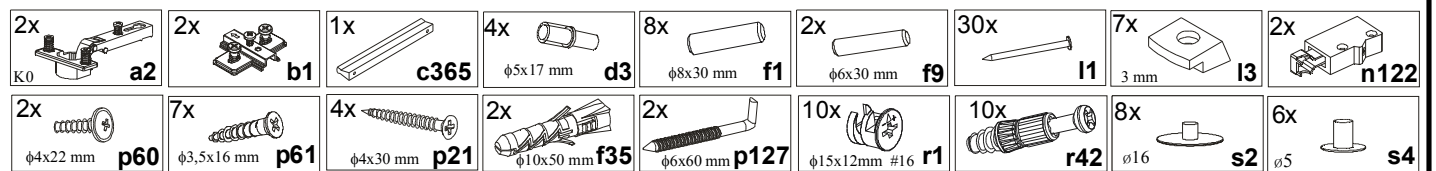
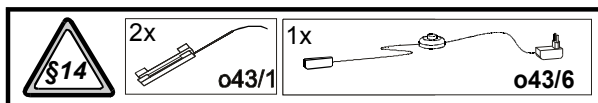
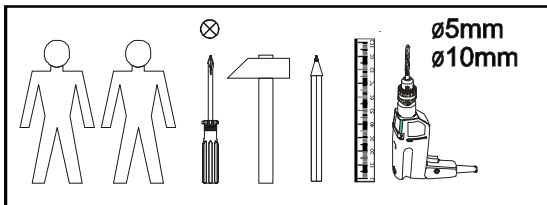
89-570
89-571

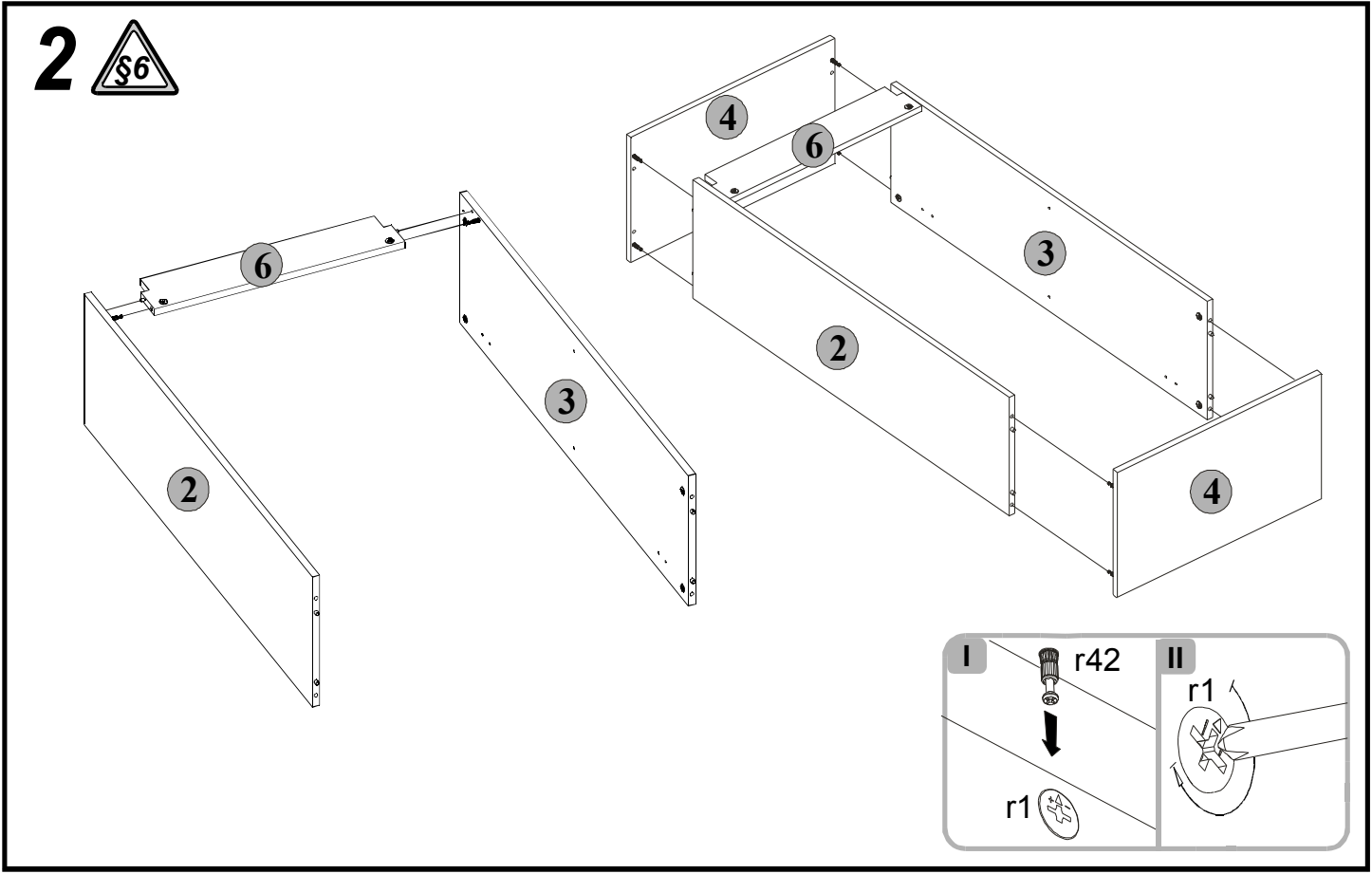
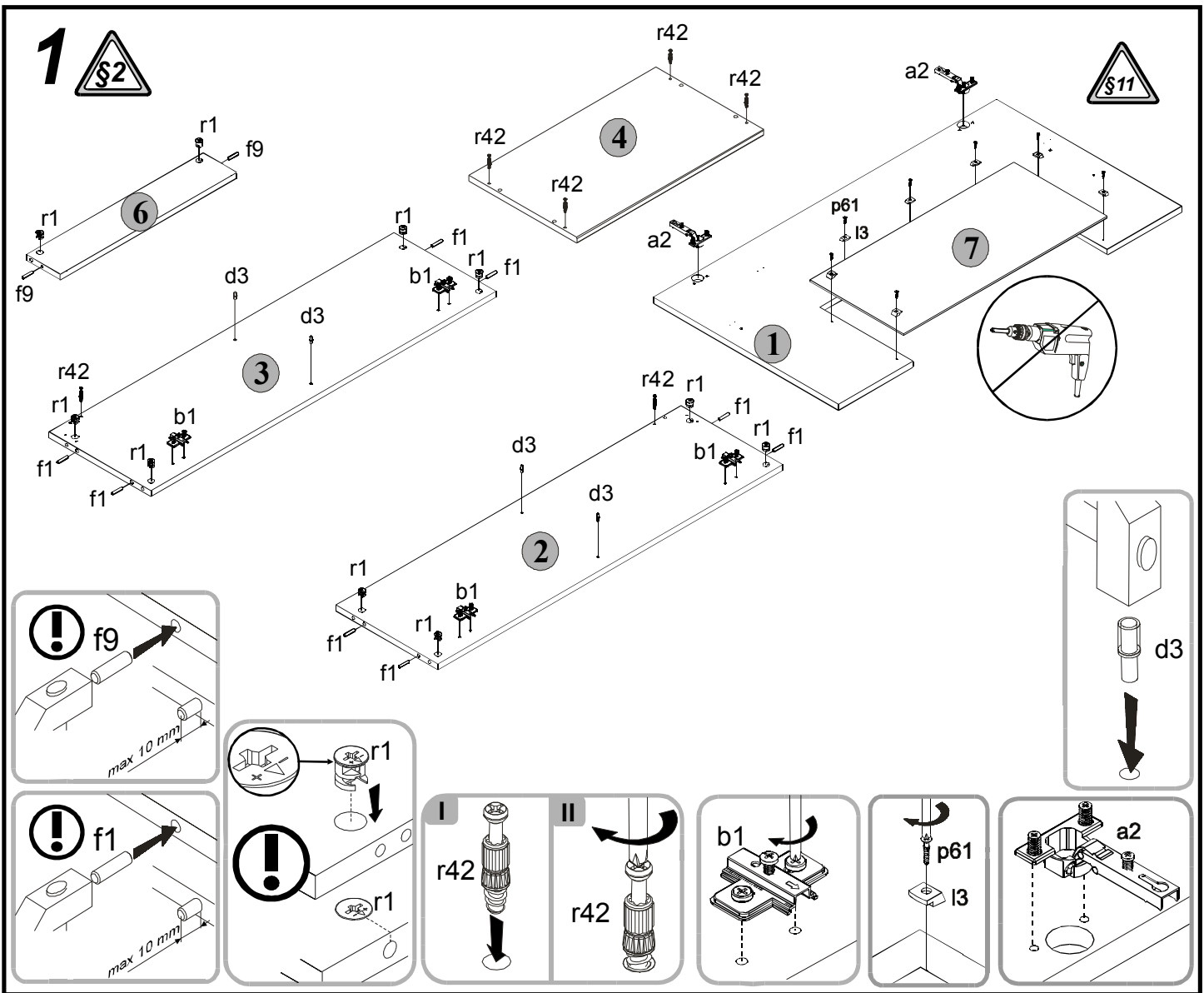
FRONTAL

S302-SFW1W

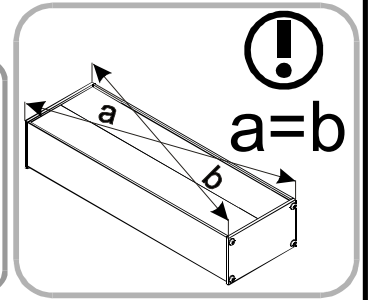
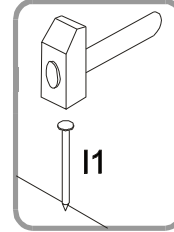
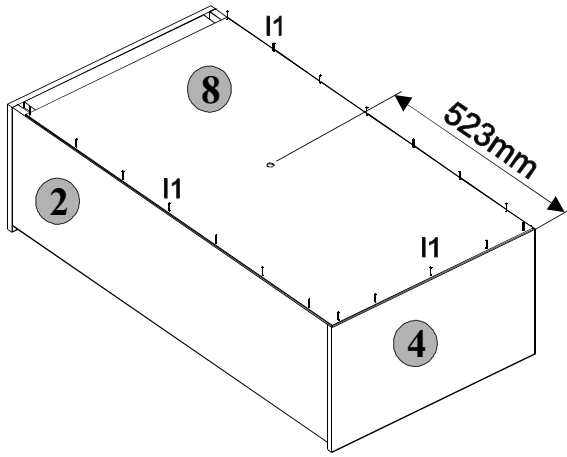


| A | B | C | D |
|---|----------|----------|---|
| 1 | S302-002 | 1010x546 | 1 |
| 2 | S302-105 | 1016x300 | 1 |
| 3 | S302-106 | 1016x300 | 1 |
| 4 | S302-204 | 550x318 | 1 |
| 5 | S302-302 | 517x285 | 1 |
| 6 | S302-401 | 519x100 | 1 |
| 7 | S302-504 | 600x275 | 1 |
| 8 | S302-902 | 988x544 | 1 |

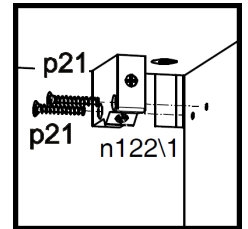
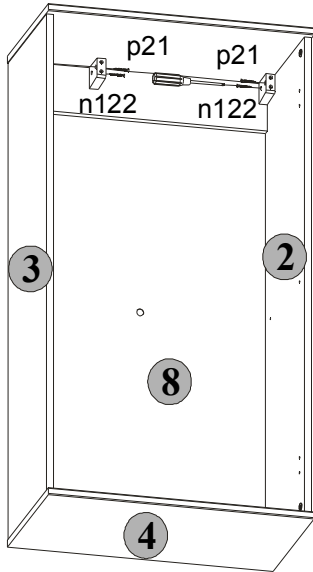




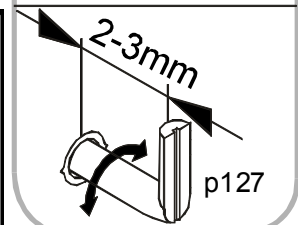
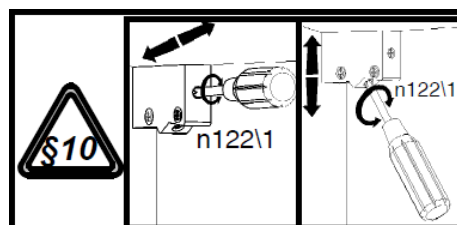
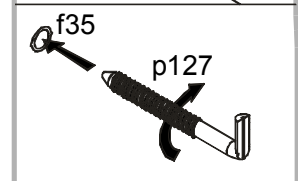
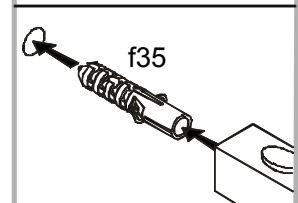
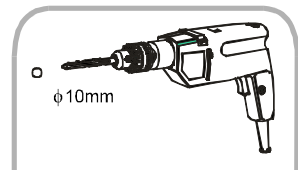
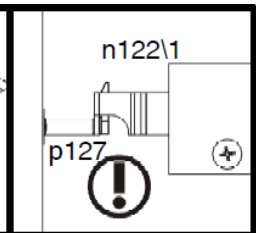
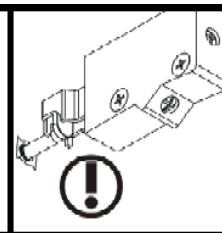
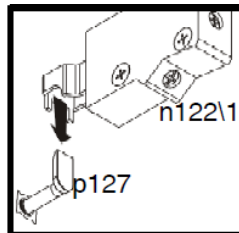
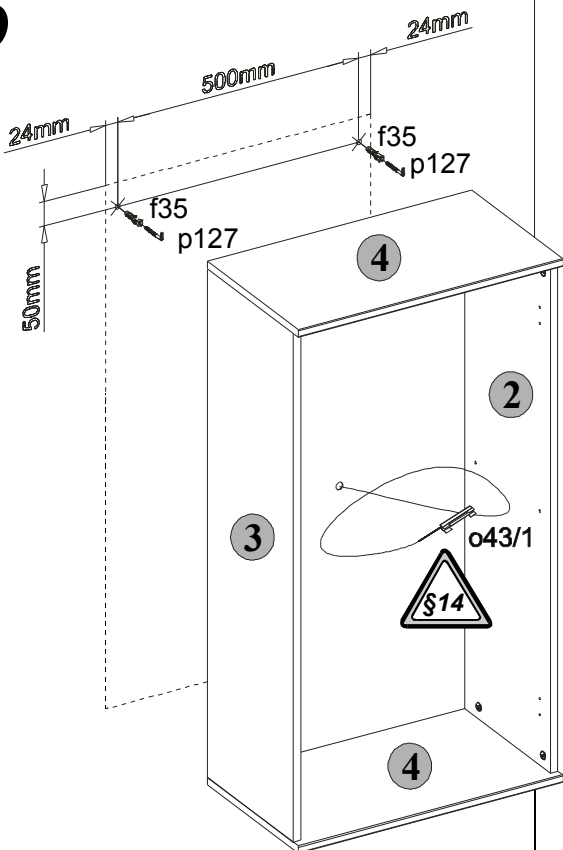
3



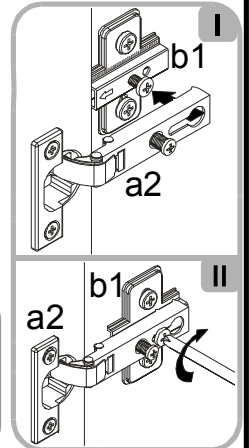
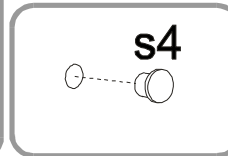
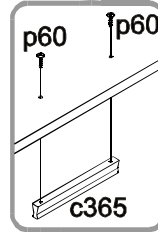
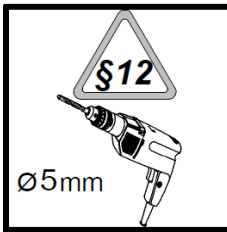
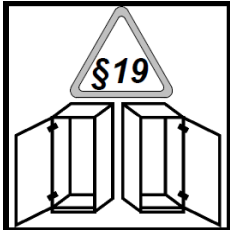
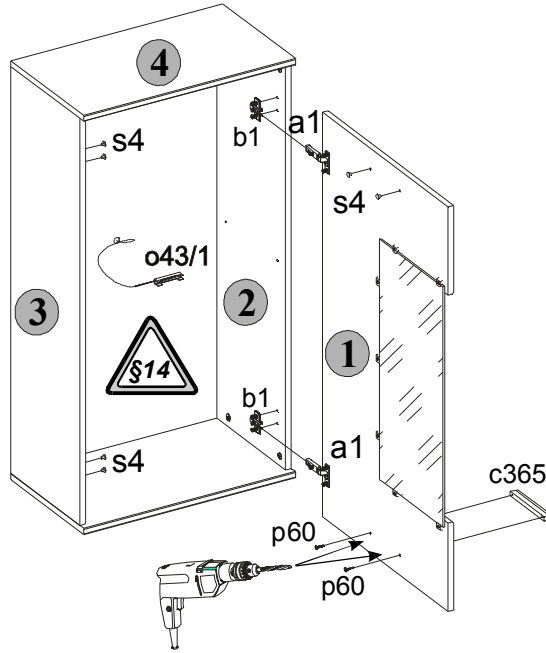
4



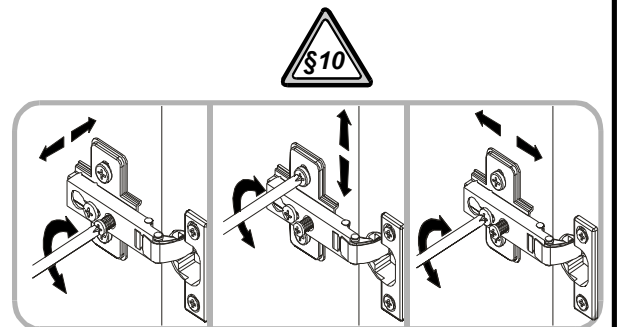
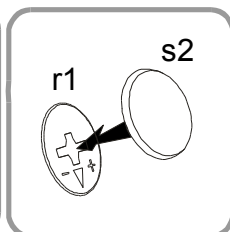
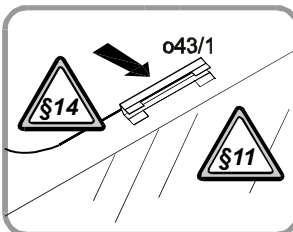
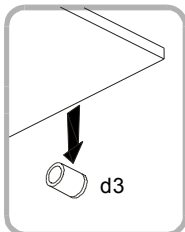
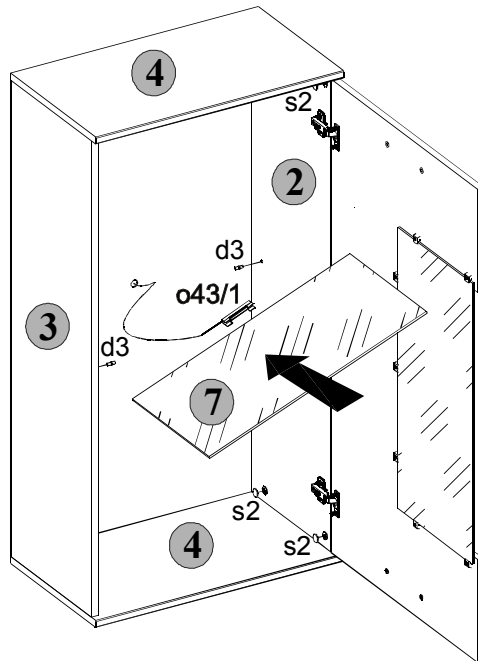
5

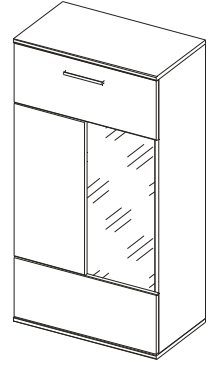
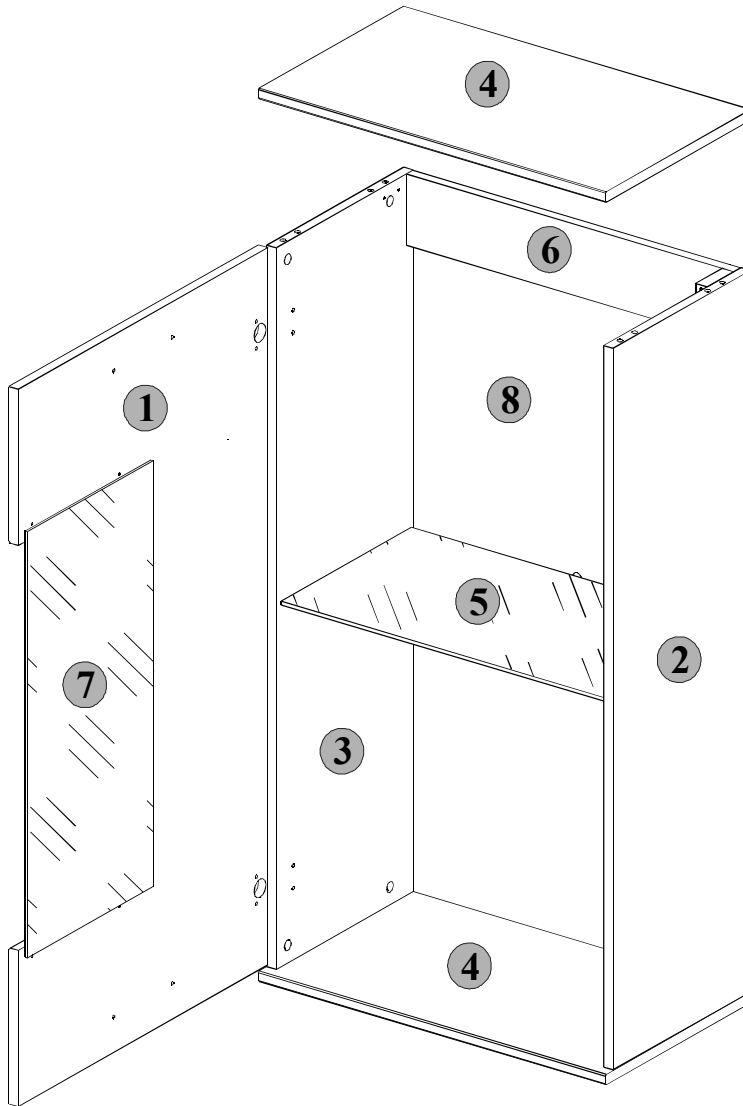


6

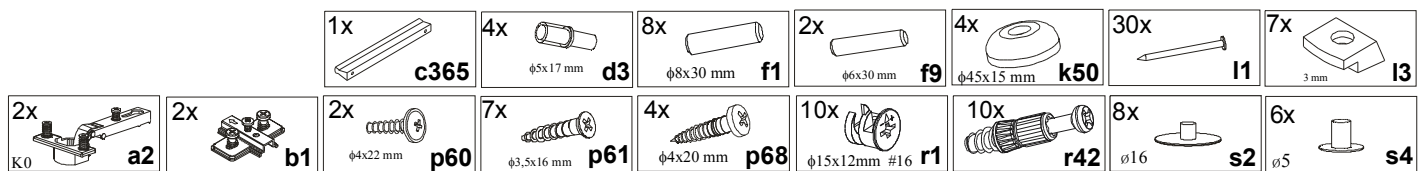
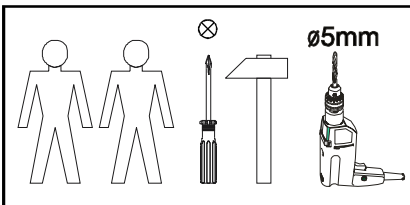


7

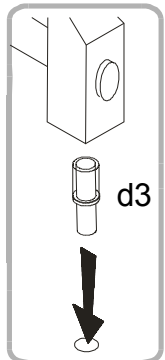
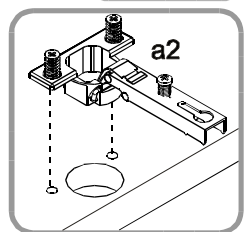
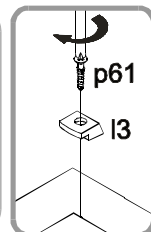
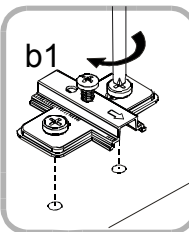
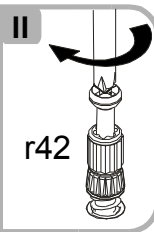
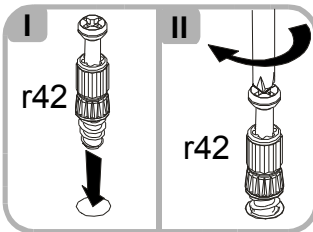
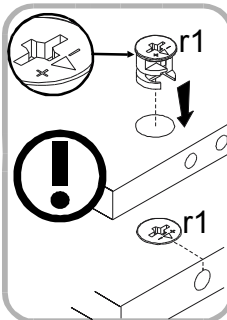
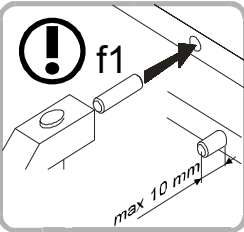
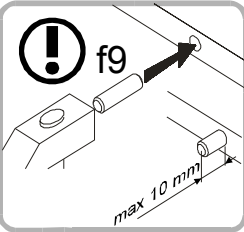
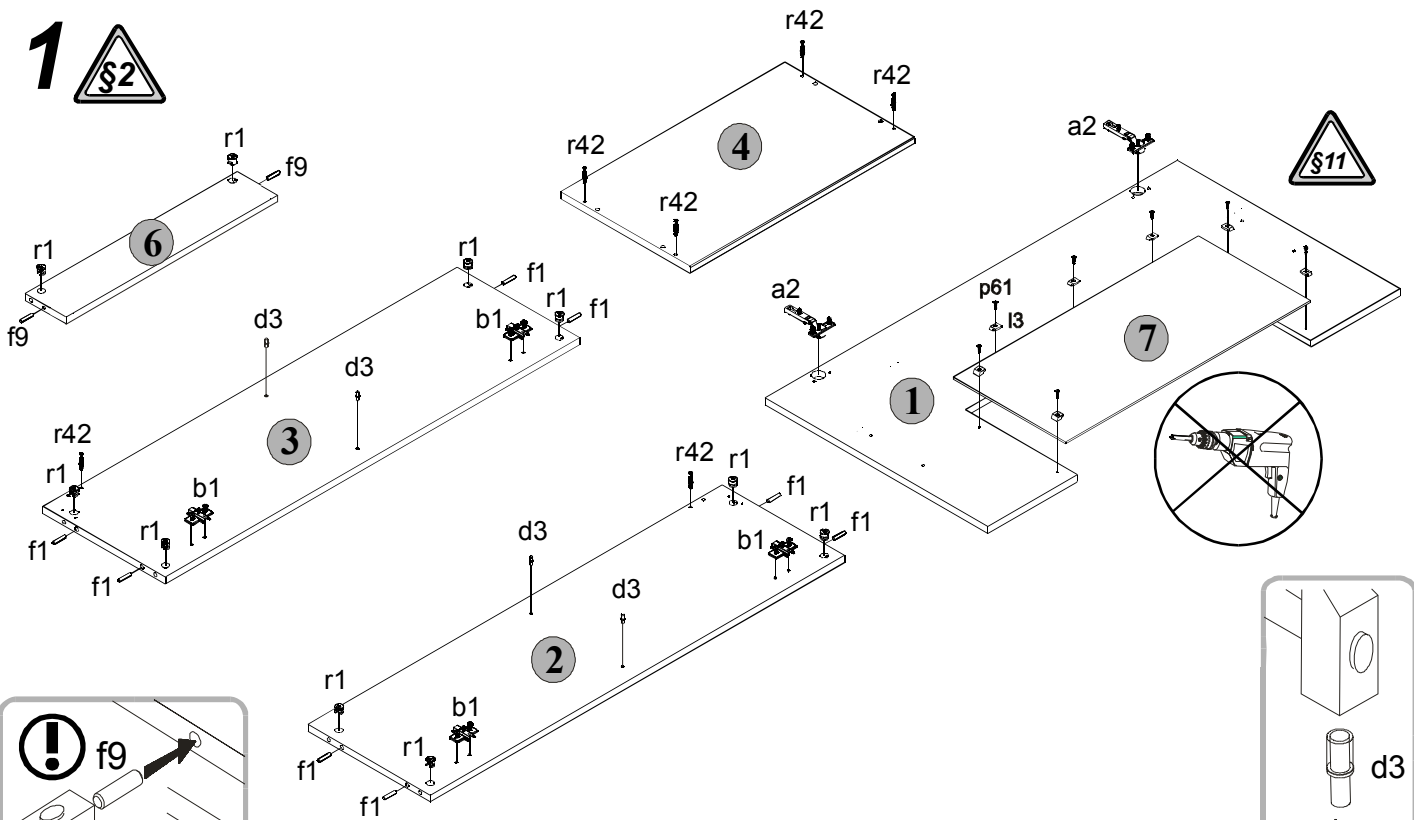




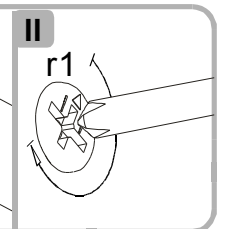
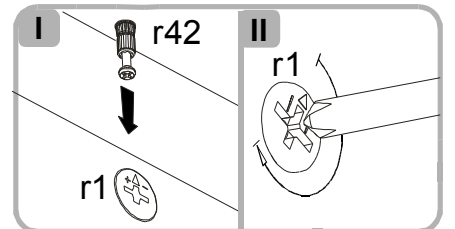
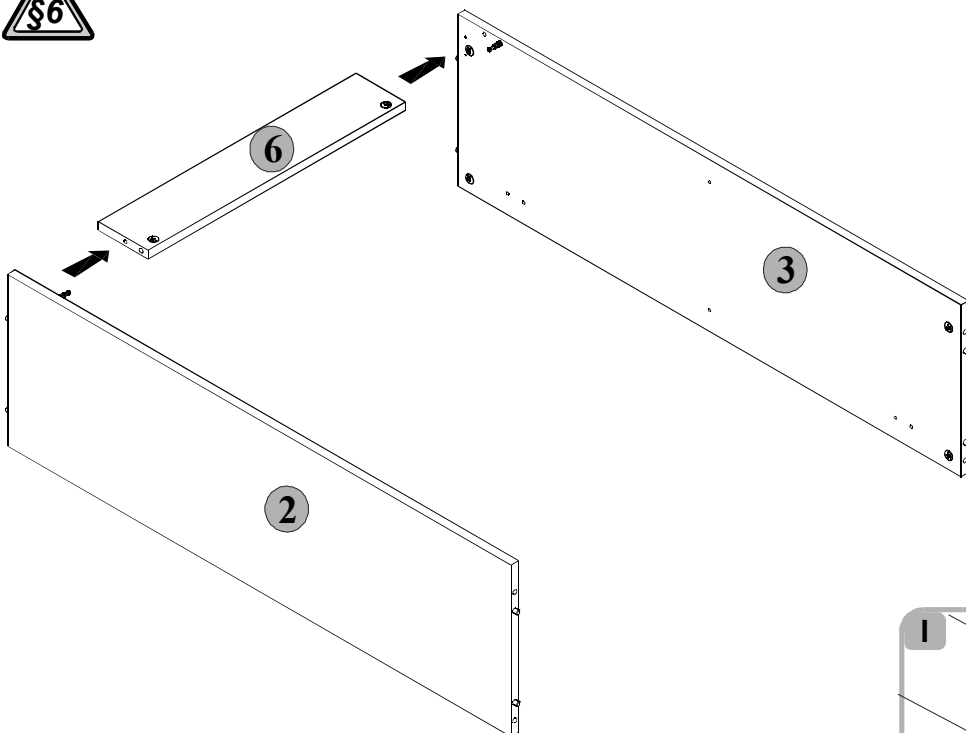
| A | B | C | D |
|---|----------|----------|---|
| 1 | S302-002 | 1010x546 | 2 |
| 2 | S302-107 | 1016x300 | 2 |
| 3 | S302-108 | 1016x300 | 2 |
| 4 | S302-204 | 550x318 | 2 |
| 5 | S302-302 | 517x285 | 2 |
| 6 | S302-402 | 519x100 | 2 |
| 7 | S302-504 | 600x275 | 2 |
| 8 | S302-903 | 1041x544 | 2 |



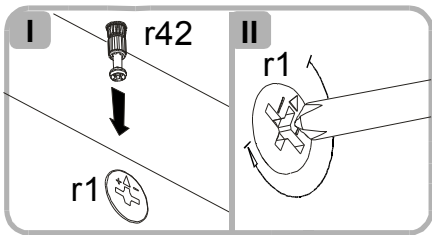
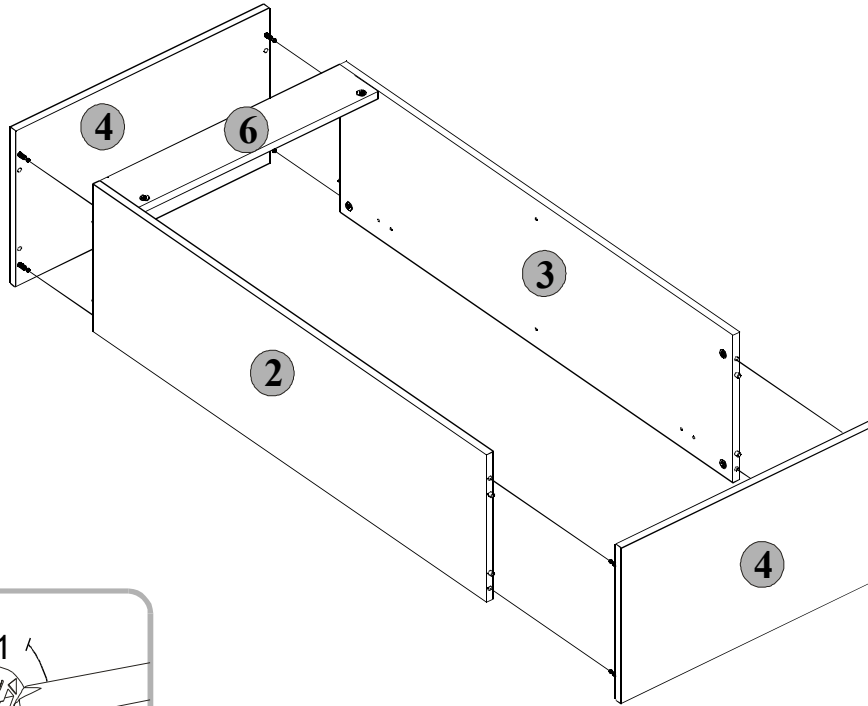
1



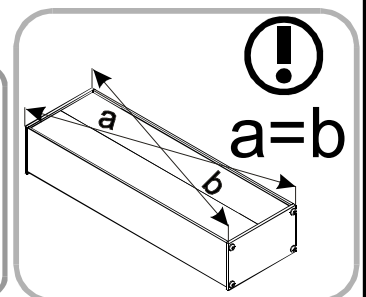
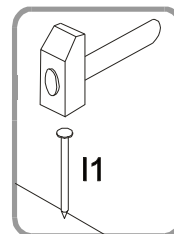
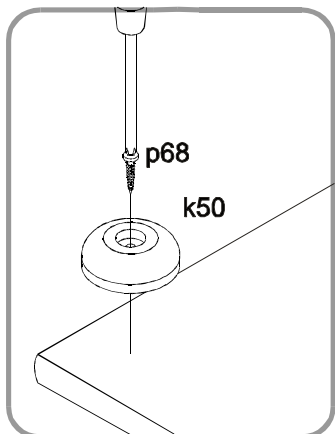
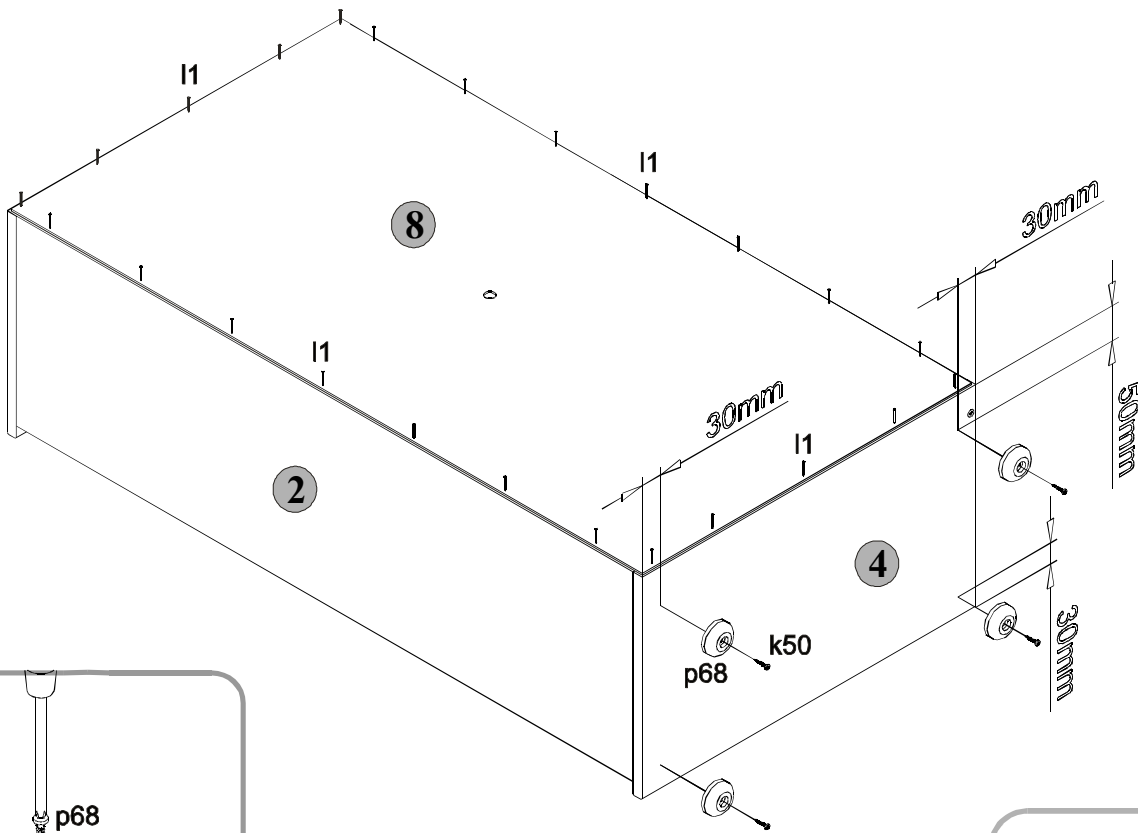
2



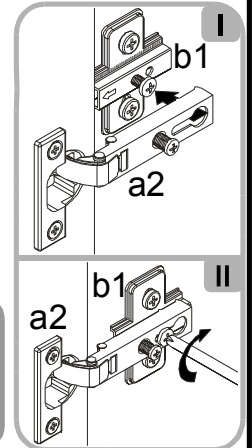
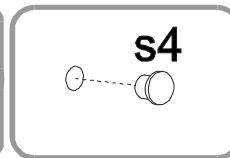
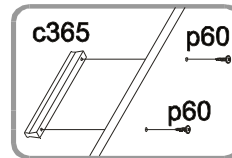
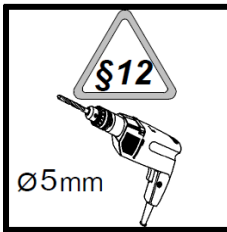
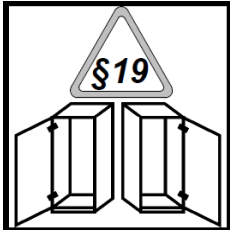
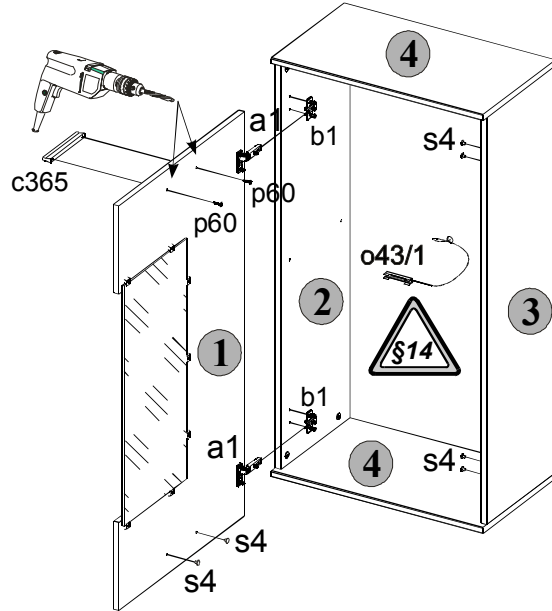
3



4



6



7

