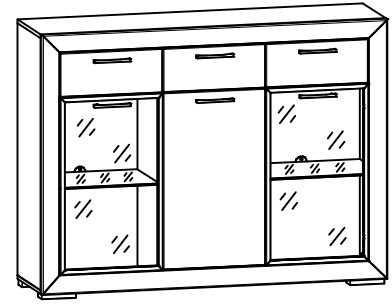
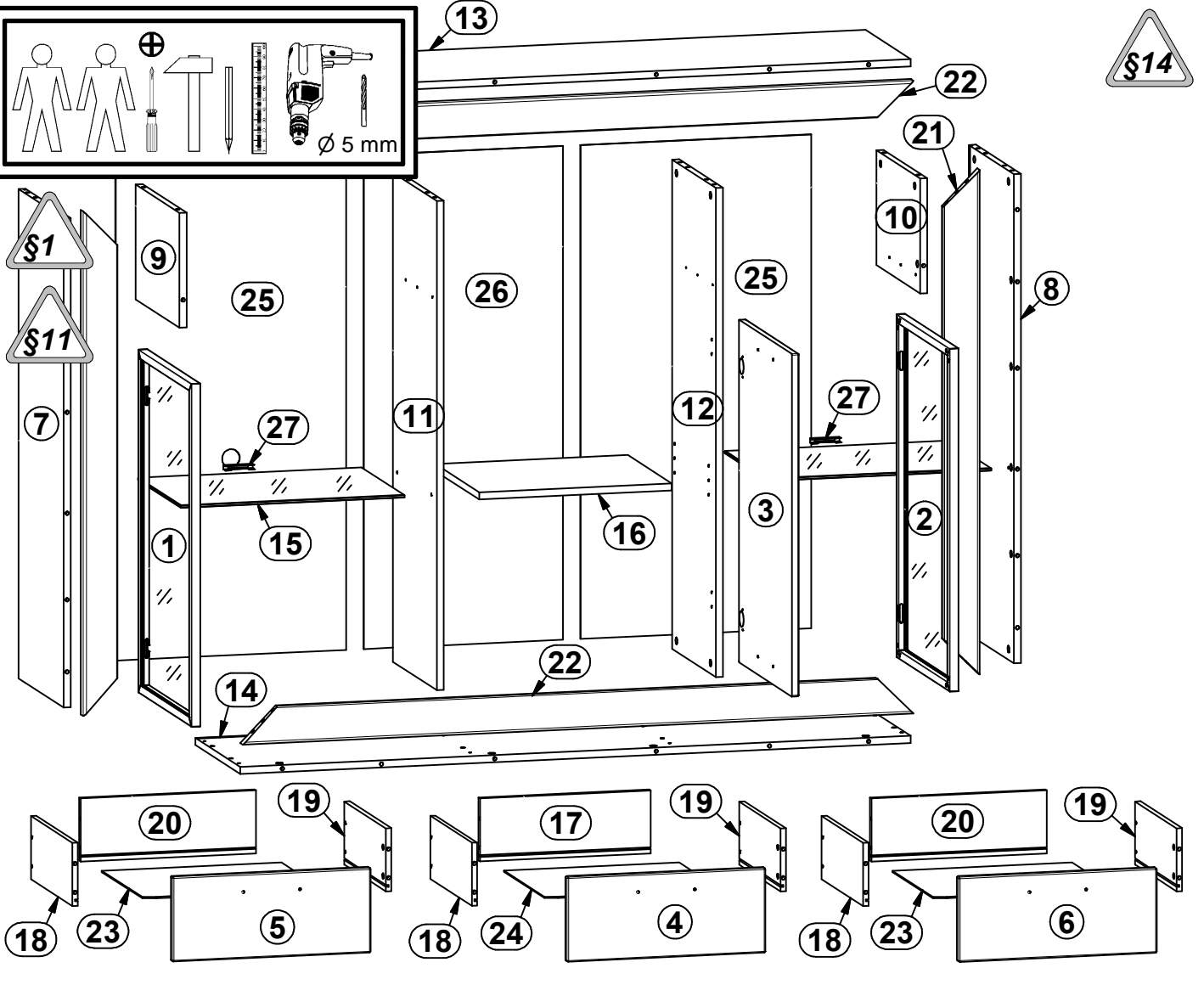
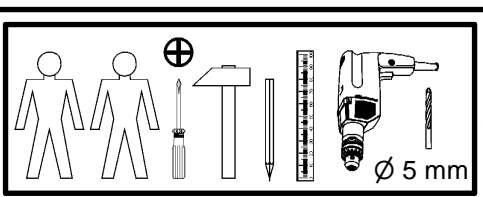


A	B	C	D	A	B	C	D		
1	S125-036	761	448	2/3	14	S125-217	1515	380	1/3
2	S125-037	761	448	2/3	15	S125-311	506	360	1/3
3	S125-038	761	448	2/3	16	S125-316	435	370	1/3
4	S125-040	448	188	2/3	17	S125-516	386	140	1/3
5	S125-041	448	188	2/3	18	S125-517	350	140	1/3
6	S125-042	448	188	2/3	19	S125-518	350	140	1/3
7	S125-131	1086	380	1/3	20	S125-519	396	140	1/3
8	S125-132	1086	380	1/3	21	S125-573	1120	80	3/3
9	S125-138	255	370	2/3	22	S125-574	1516	80	3/3
10	S125-139	255	370	2/3	23	S125-909	406	348	1/3
11	S125-141	1086	370	1/3	24	S125-914	396	348	1/3
12	S125-142	1086	370	1/3	25	S125-915	1096	521	2/3
13	S125-216	1515	380	1/3	26	S125-916	1096	450	2/3

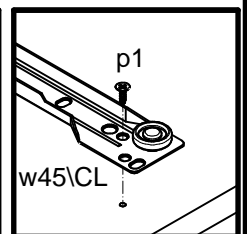
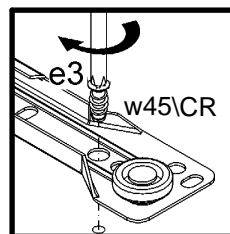
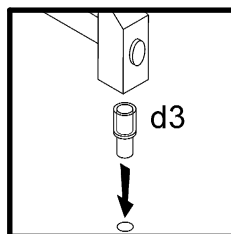
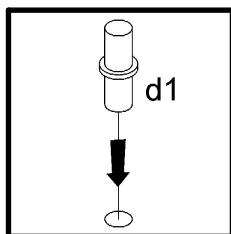
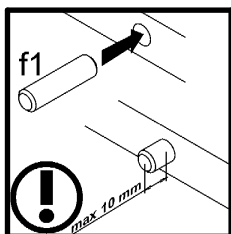
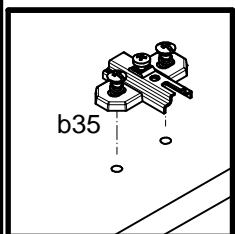
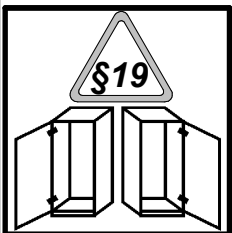
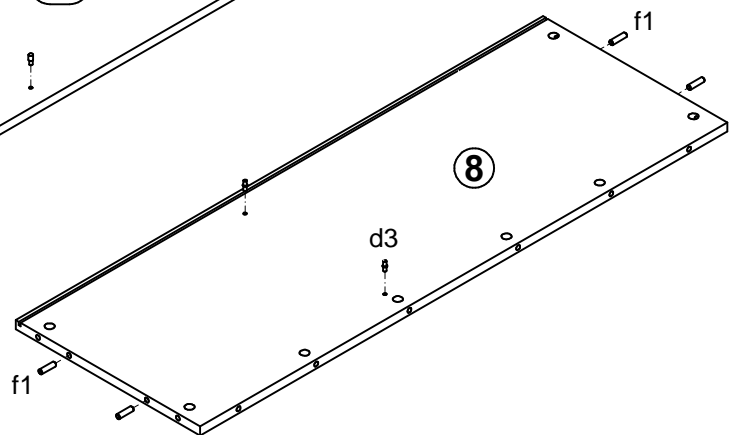
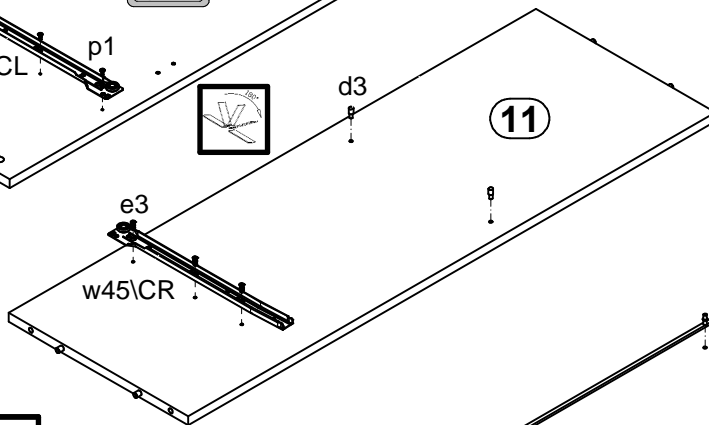
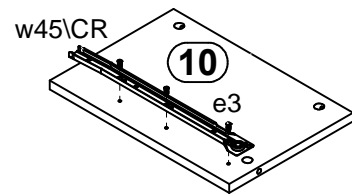
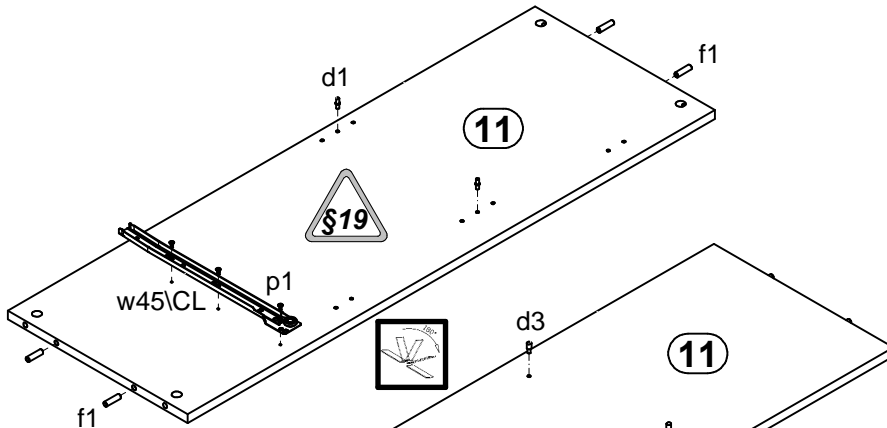
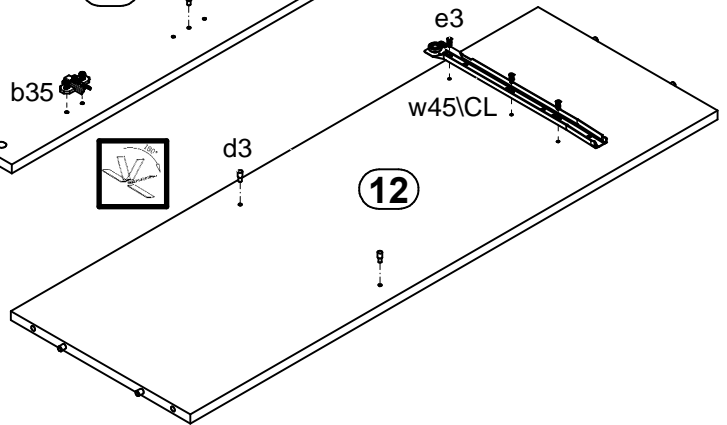
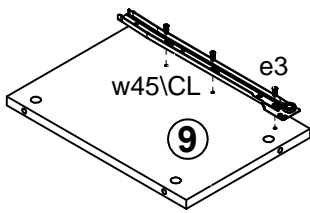
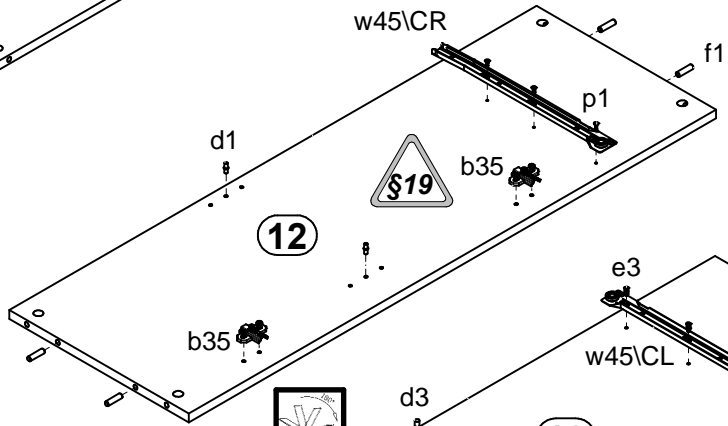
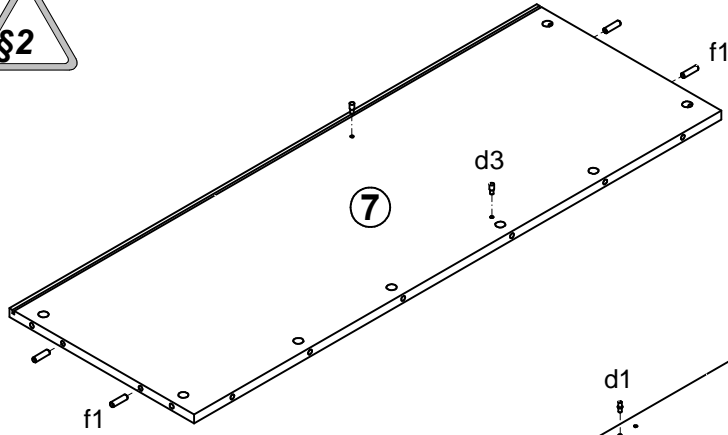


A	B	C	D
27	qa702	LED	1/1

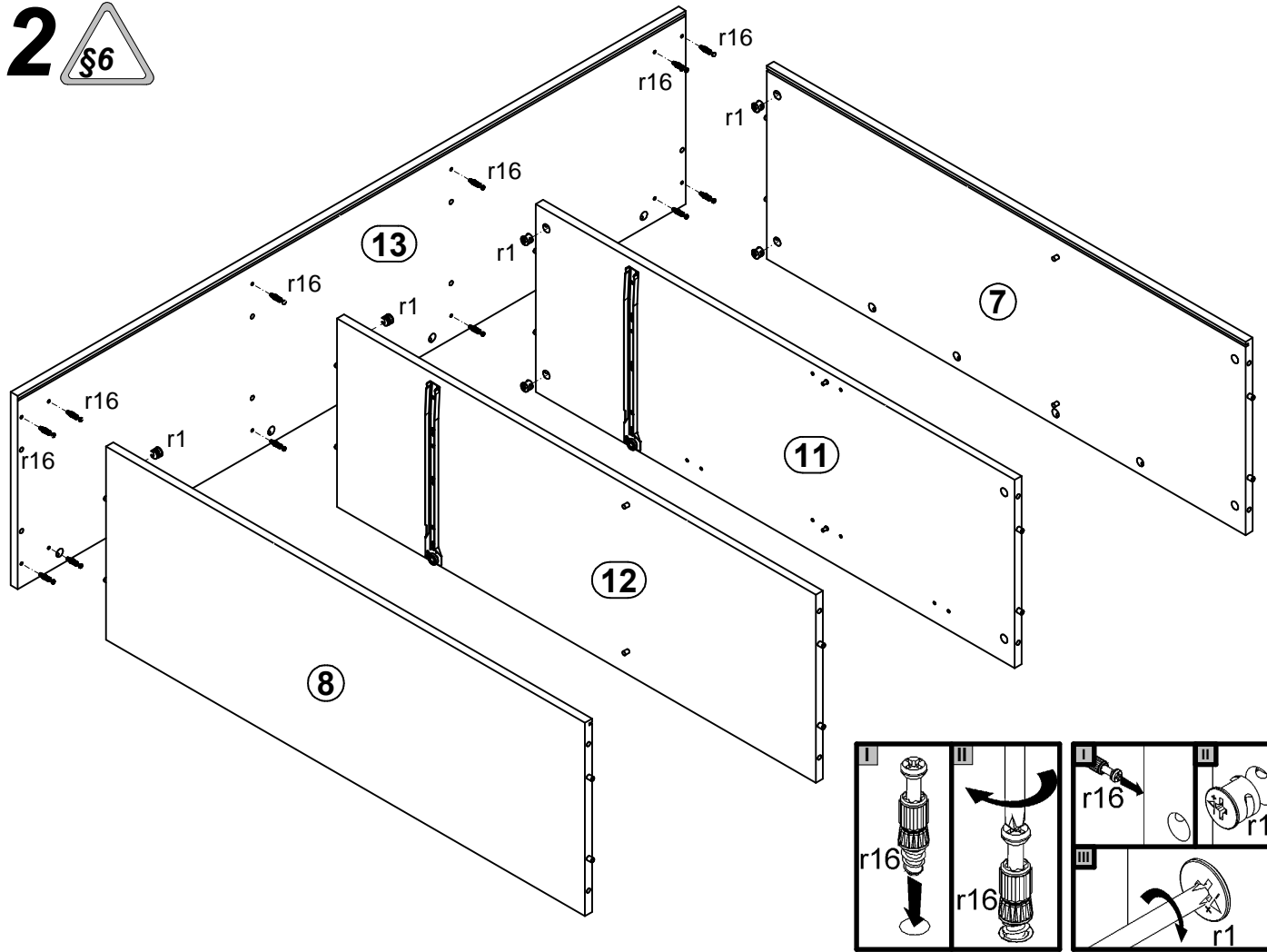


4x a57	2x a68	2x b35	4x b6	6x c347	4x d1	8x d3	12x e3	32x f1
12x f25	4x j2	8x j30	2x k54	3x k55	55x l1	7x o21	4x o27	6x p1
6x p21	8x p44	4x p51	12x p54	6x p6	46x r1	4x r10	12x r15	50x r16
18x s2	2x s53	3x w45\CL	3x w45\CR	3x w45\DL	3x w45\DR	1x n26\1	1x p38	1x z1

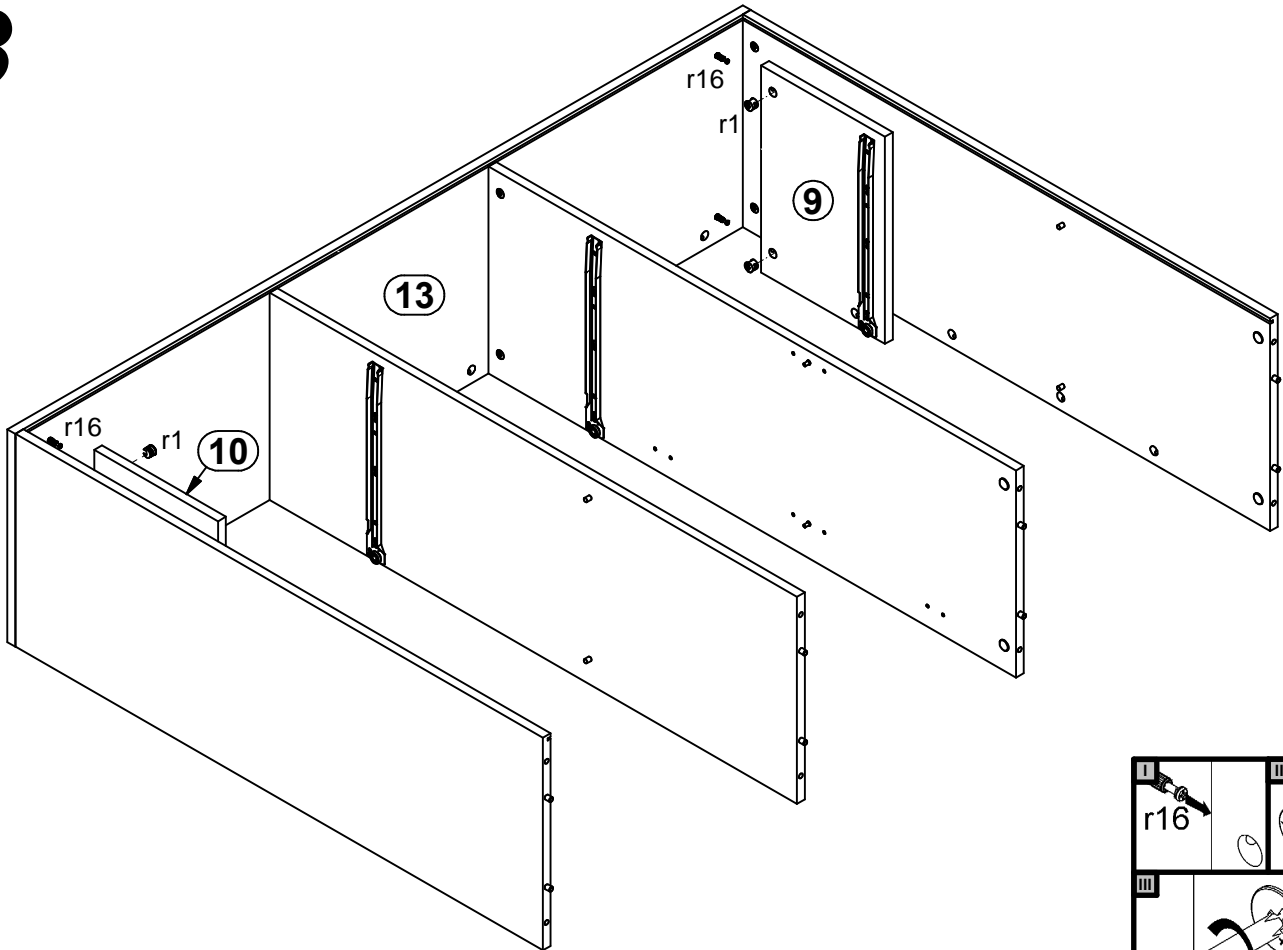
1 §2

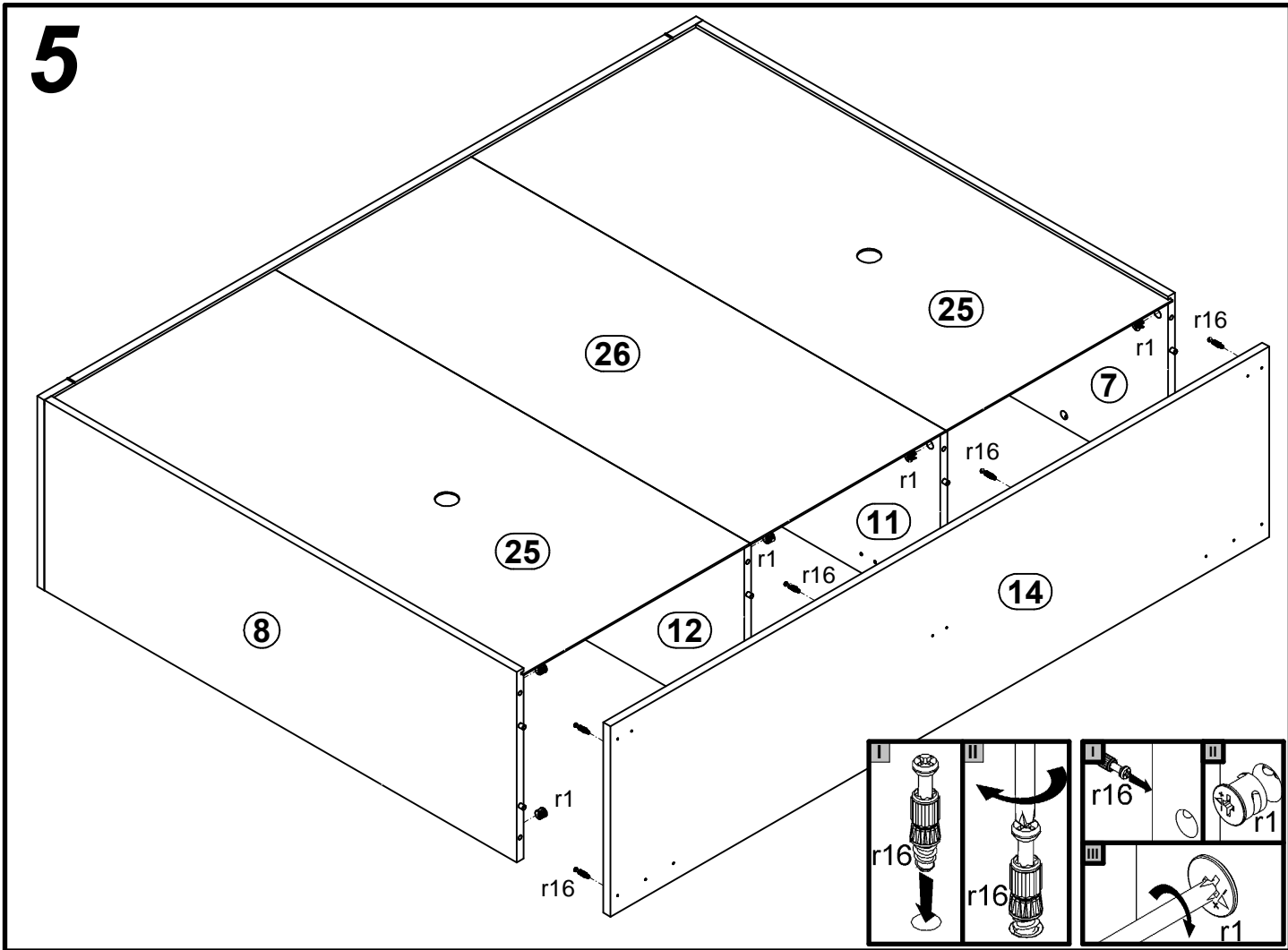
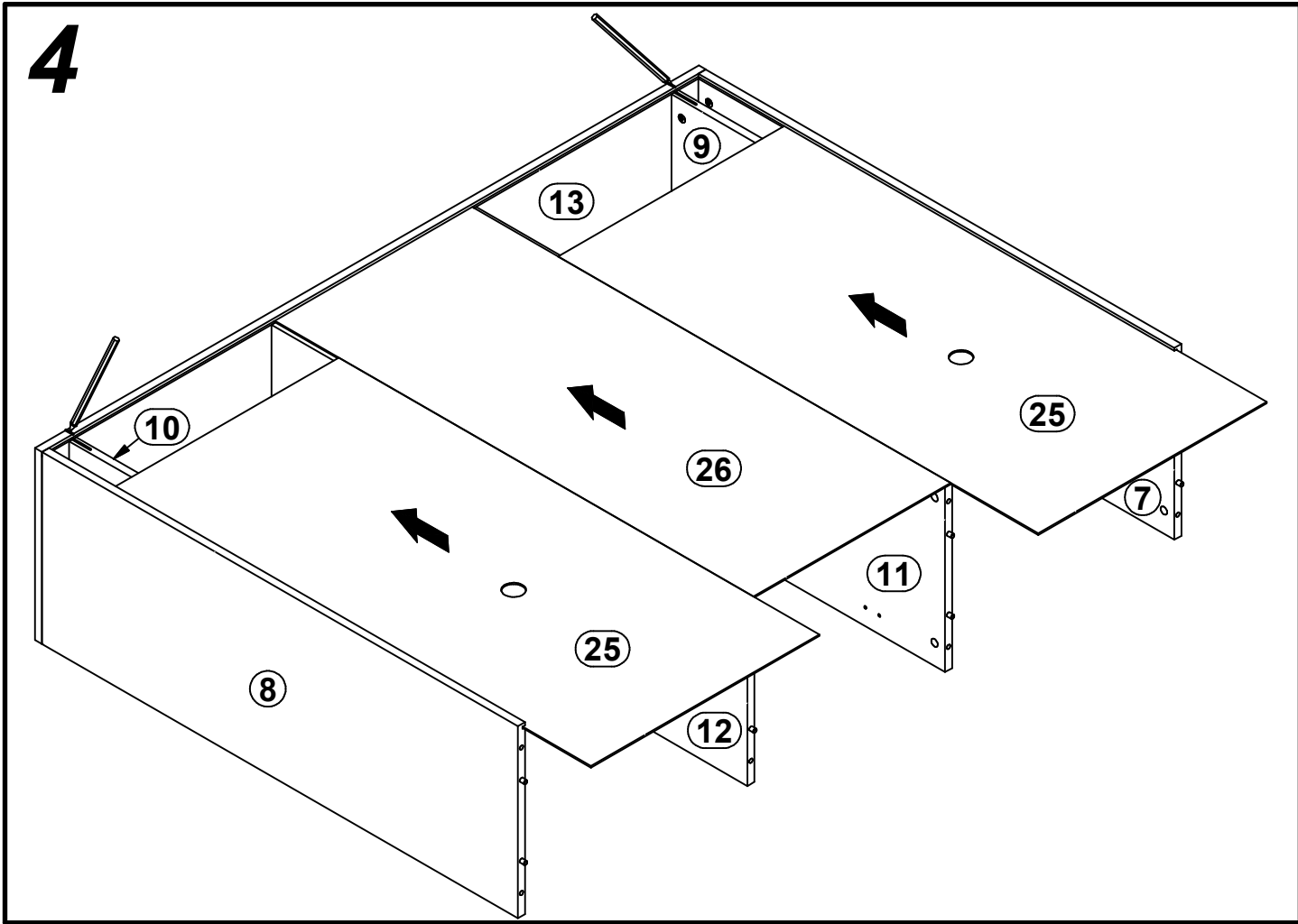


2

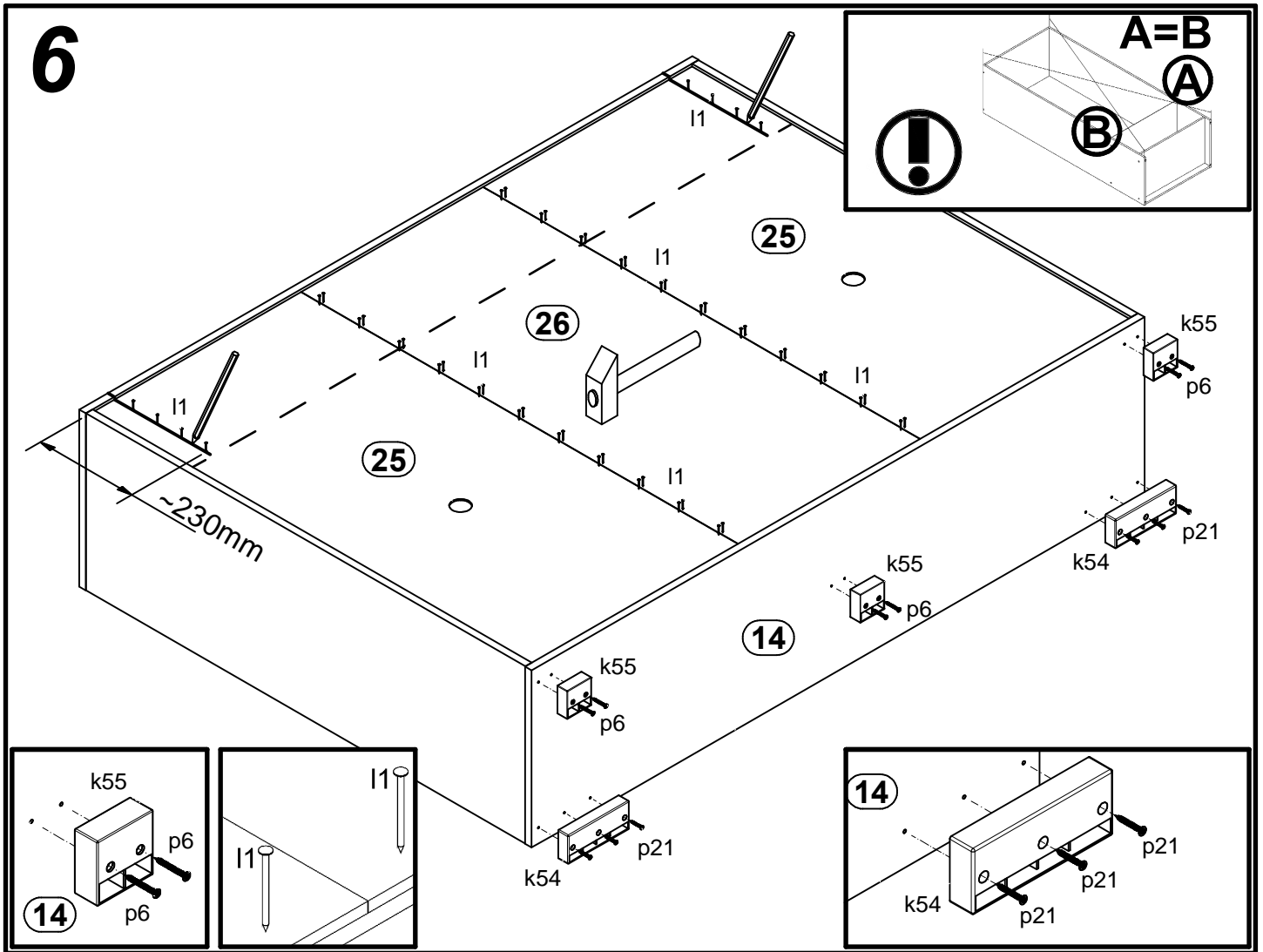


3

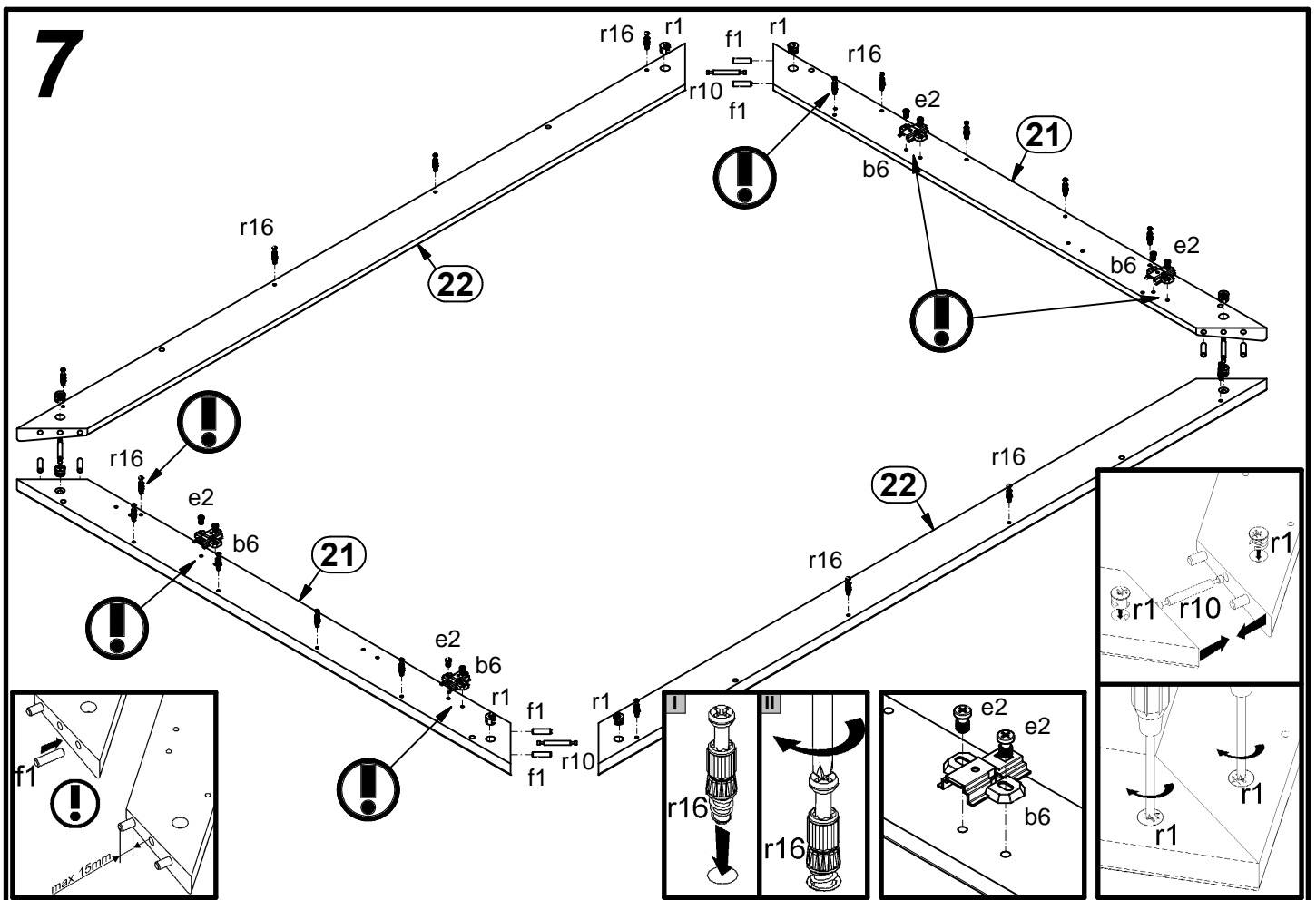


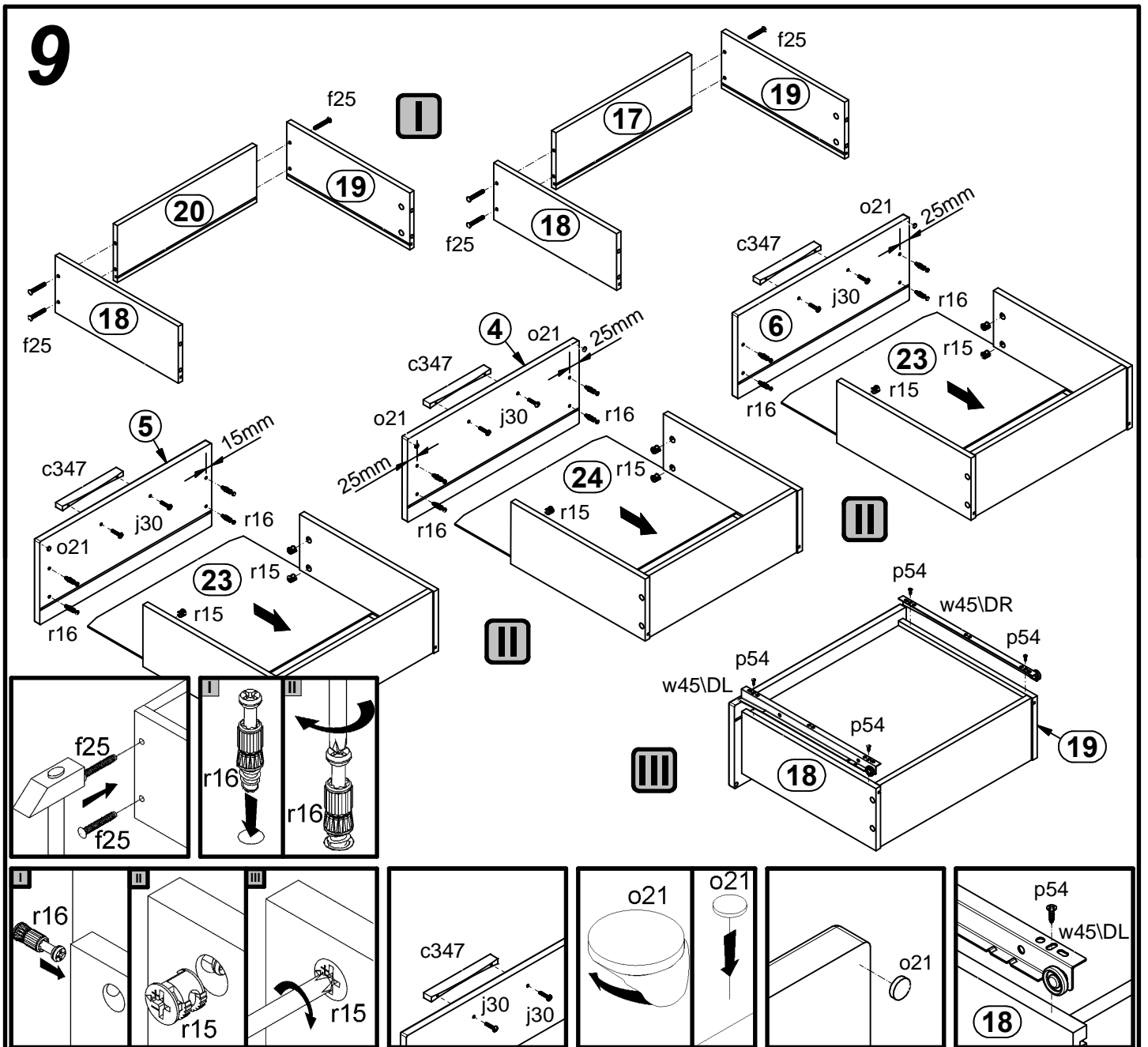
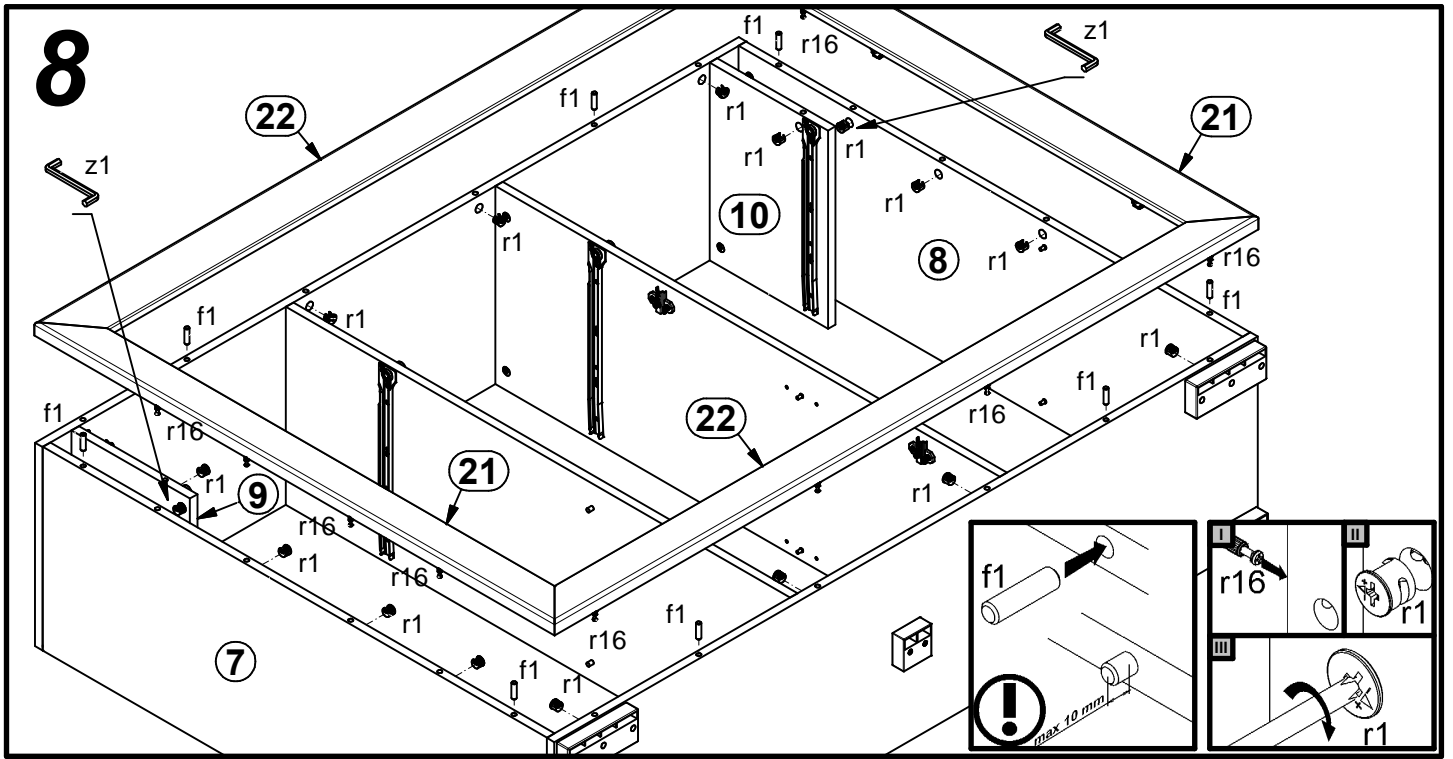


6



7





10

