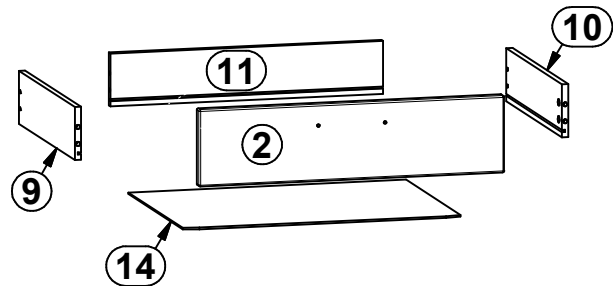
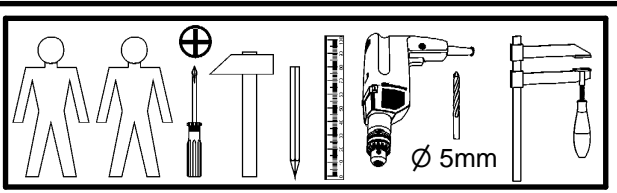
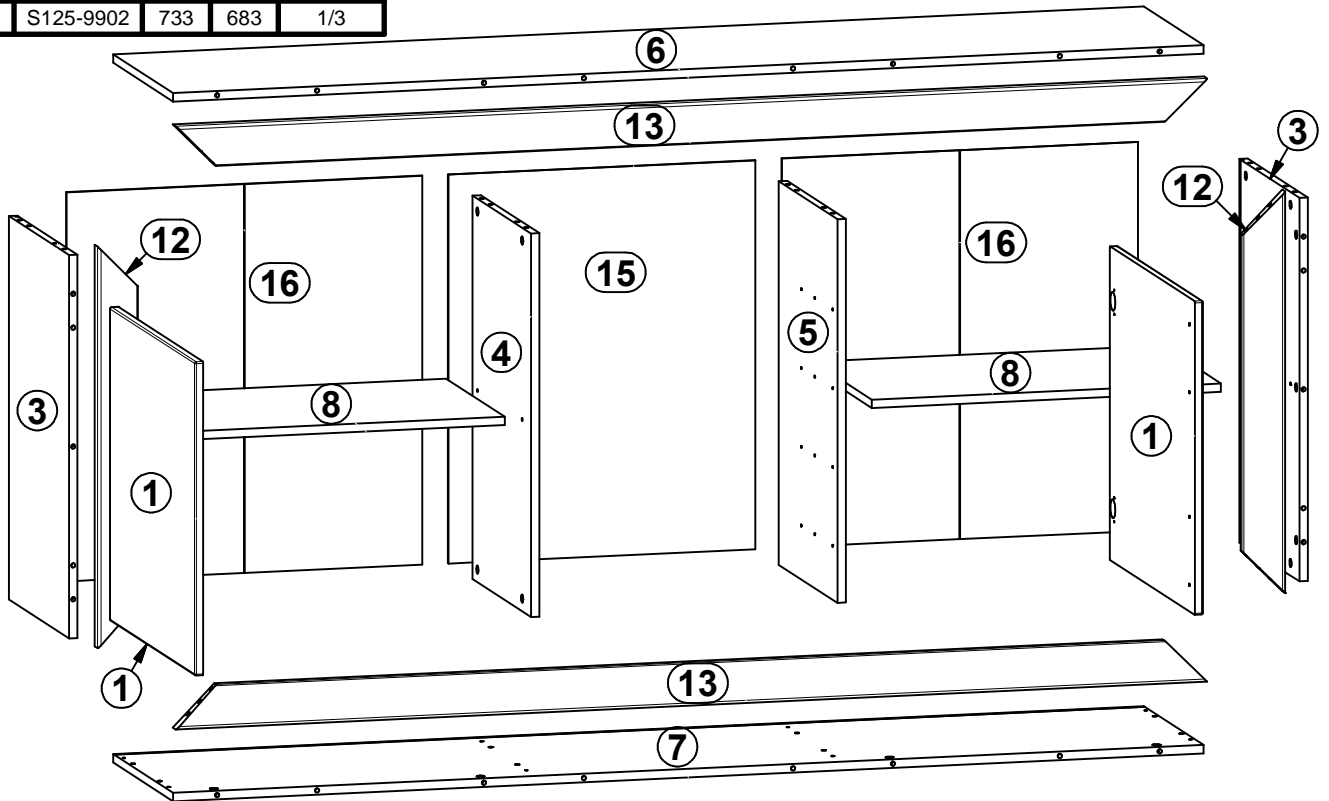
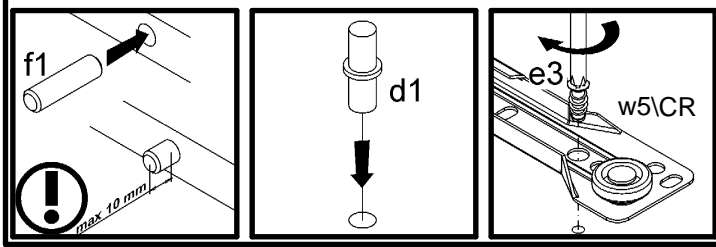
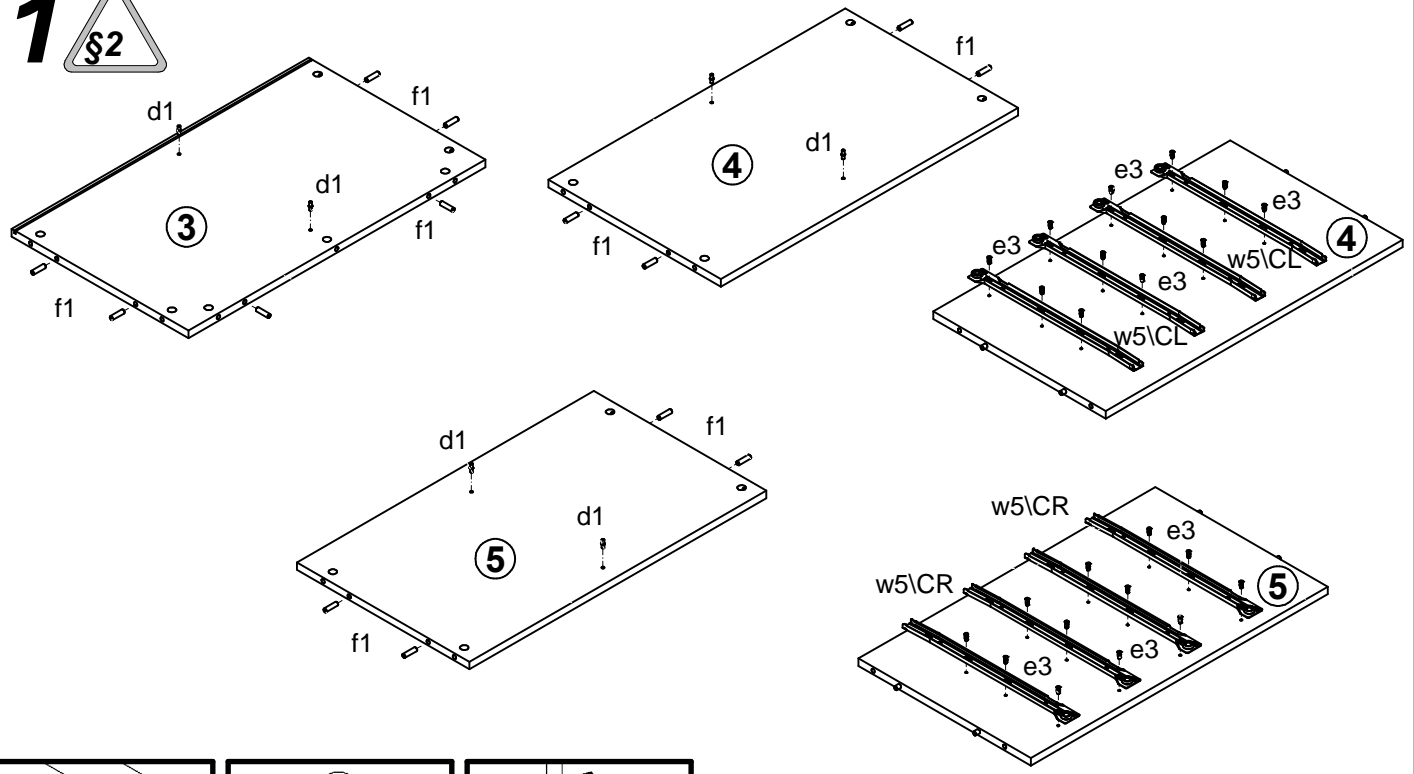


A	B	C	D	
1	S125-029	591	610	1/3
2	S125-030	586	145	1/3
3	S125-103	723	430	2/3
4	S125-104	723	420	2/3
5	S125-105	723	420	2/3
6	S125-203	1978	430	2/3
7	S125-204	1978	430	2/3
8	S125-303	670	420	1/3
9	S125-501	400	100	1/3
10	S125-502	400	100	1/3
11	S125-503	523	100	1/3
12	S125-571	757	80	3/3
13	S125-572	1979	80	3/3
14	S125-901	533	398	2/3
15	S125-902	733	589	1/3
16	S125-9902	733	683	1/3

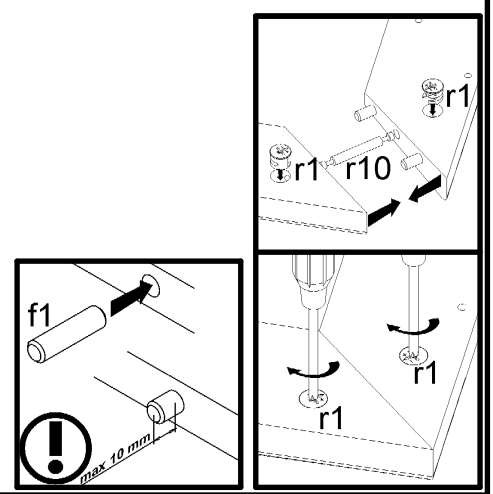
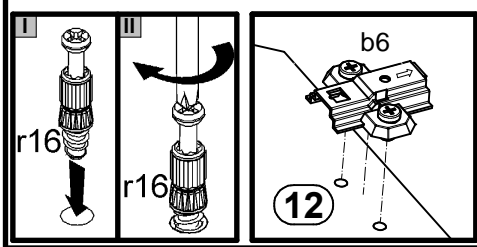
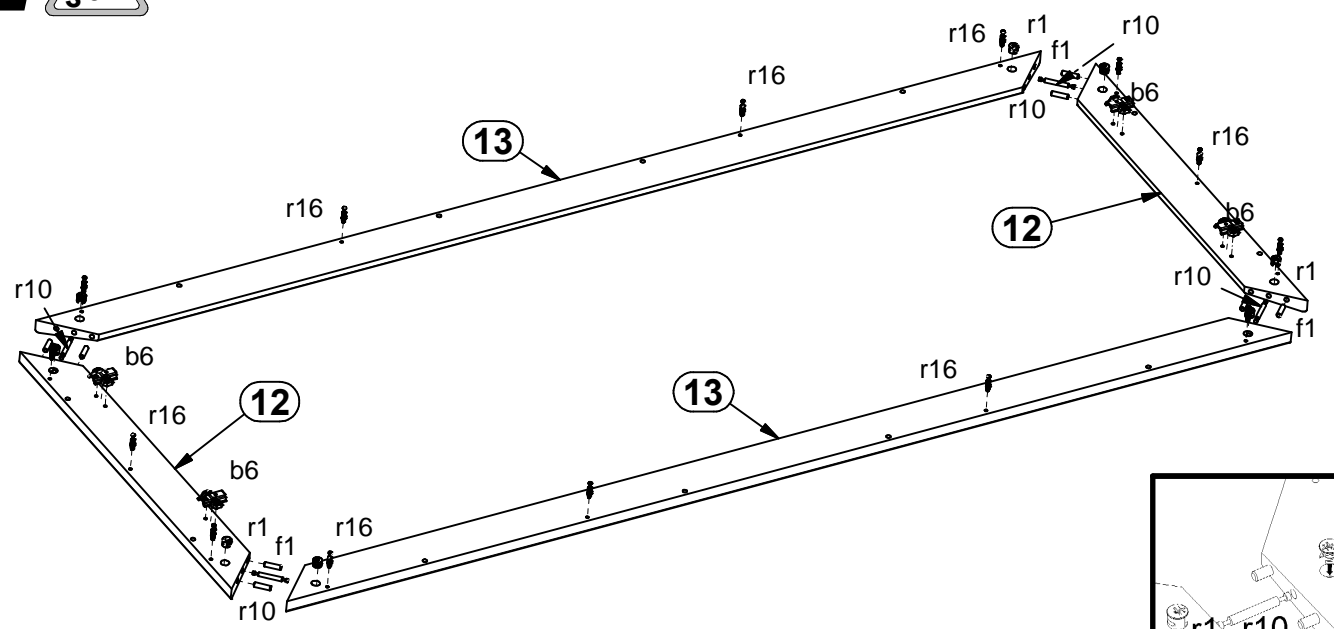


4x a56	4x b6	6x c347	8x $\phi 5 \times 17$ mm d1	24x $\phi 6 \times 13$ mm e3	36x $\phi 8 \times 30$ mm f1	16x $\phi 6.5 \times 40$ mm f25	12x M4x22 mm j30	2x 151x81x25 mm k54
4x k55	35x l1	10x silikon o21	6x $\phi 4 \times 30$ mm p21	8x $\phi 3.5 \times 16$ mm p25	8x $\phi 3.5 \times 15$ mm p51	16x $\phi 3 \times 12$ mm p54	8x $\phi 4 \times 35$ mm p6	38x $\phi 1.5 \times 12$ mm #16 r1
4x r10	16x $\phi 12 \times 10.5$ mm #12 r15	46x r16	12x $\phi 16$ s2	4x 383 mm t14	4x 400 mm w5\CL	4x 400 mm w5\CR	4x 400 mm w5\DL	4x 400 mm w5\DR
1x n26\1	1x $\phi 3.5 \times 16$ mm p38							

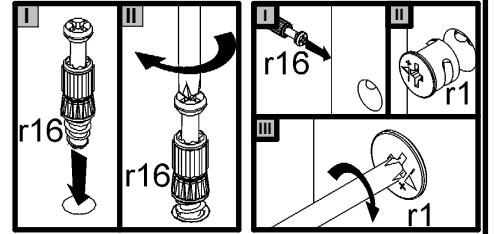
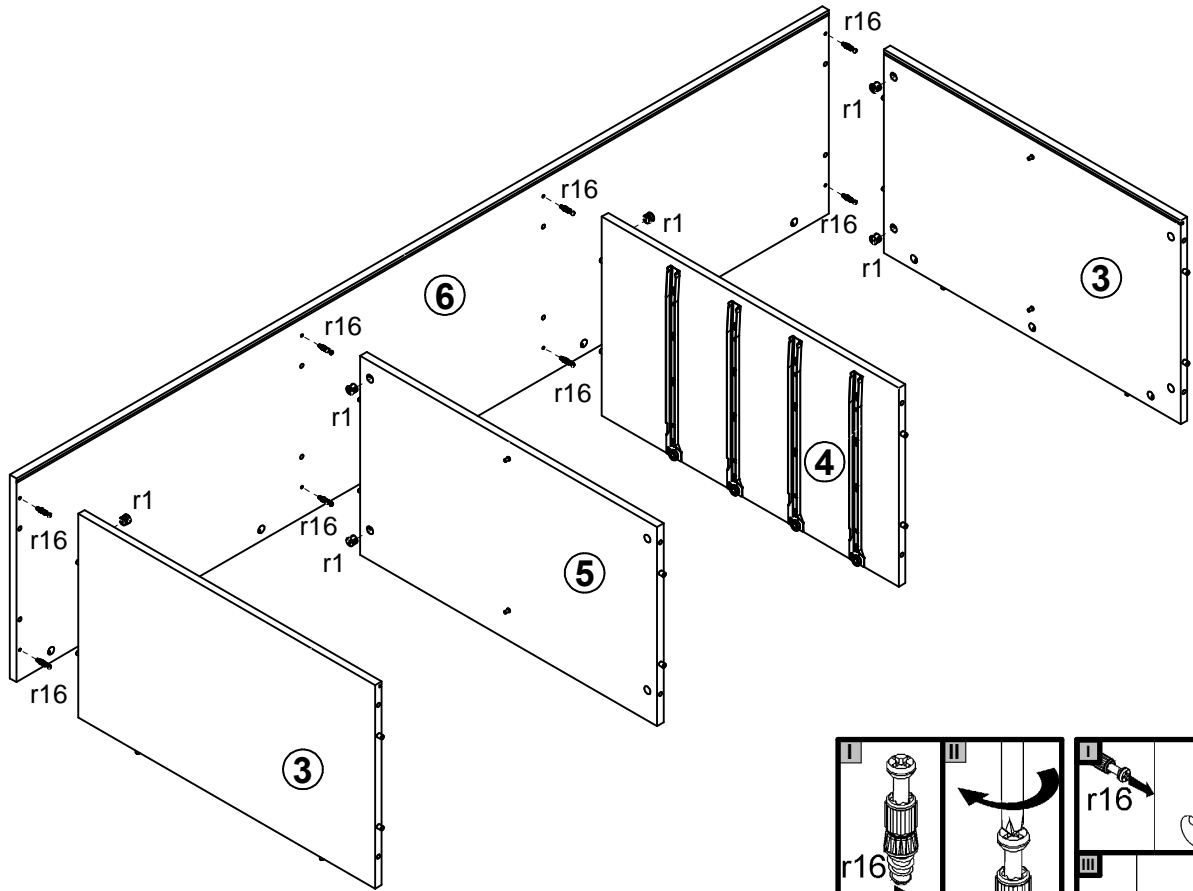
1



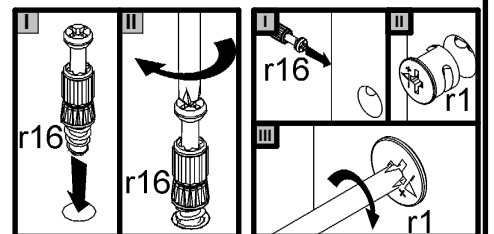
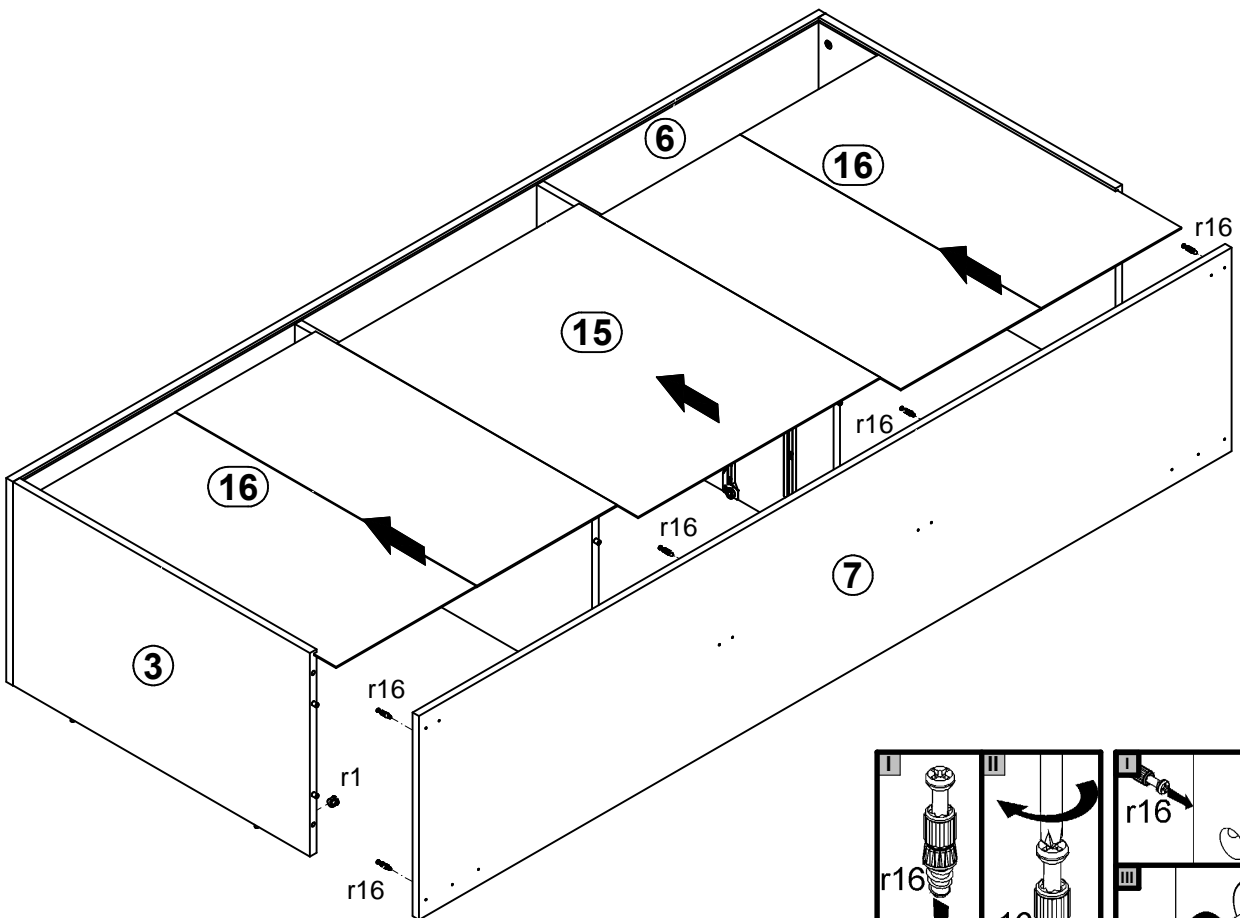
2



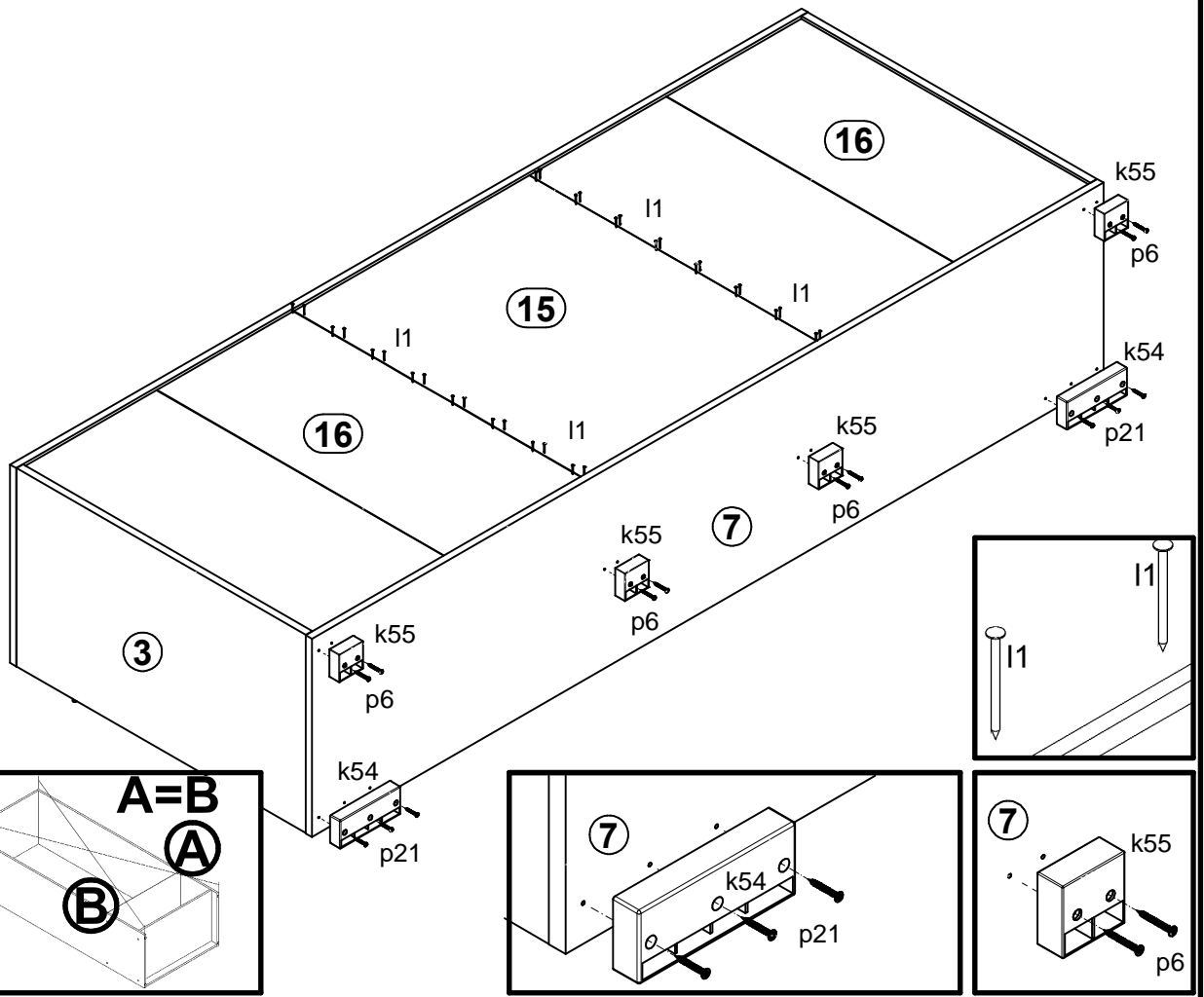
3



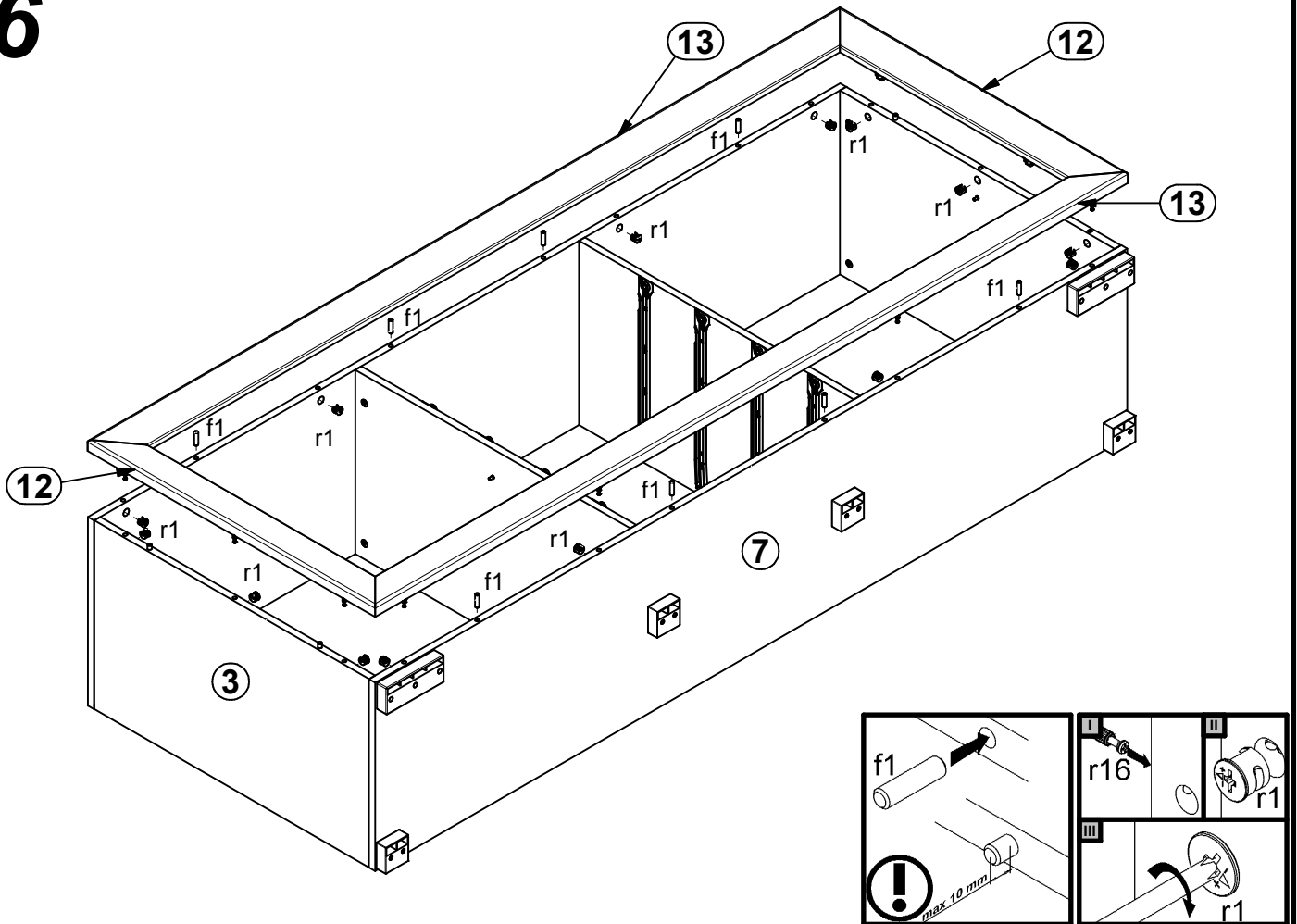
4



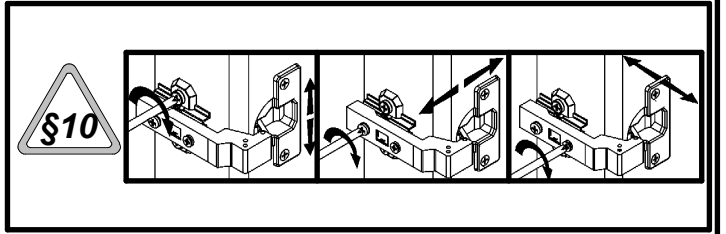
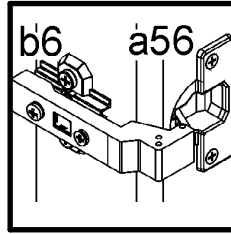
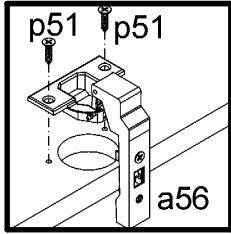
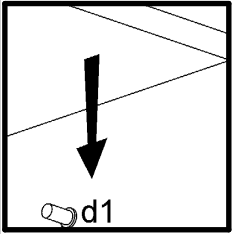
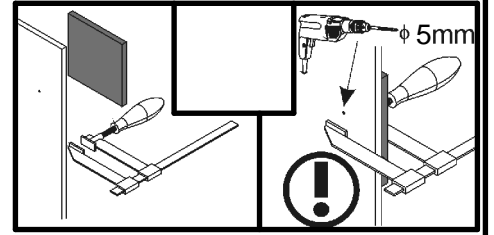
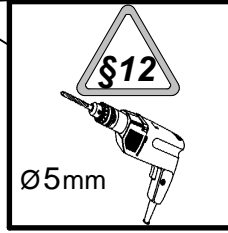
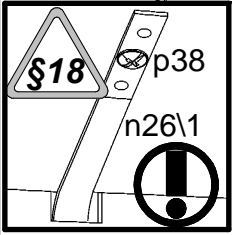
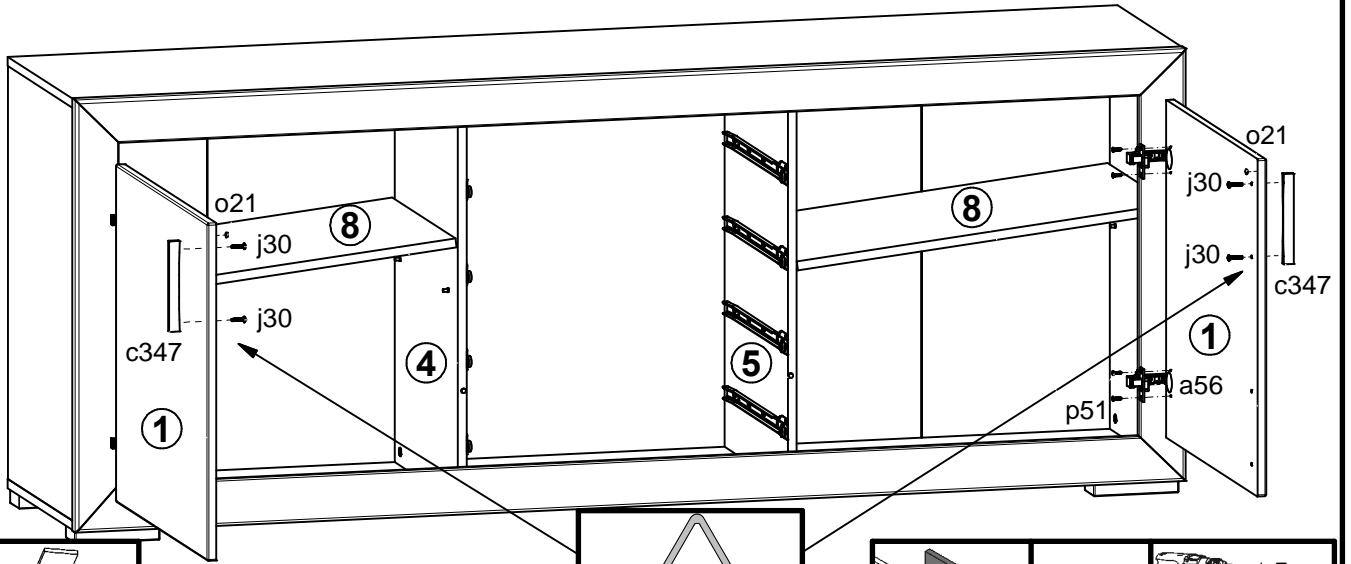
5



6



7



8

