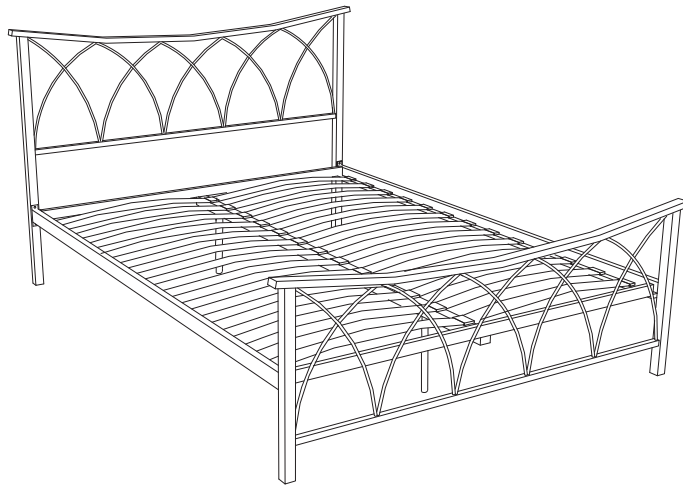


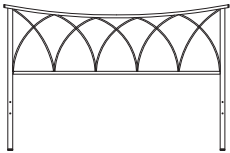
CELINE BED

Simple Assembly Instruction - Please keep for future reference

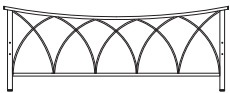


COMPONENTS

01 1 X HEAD BOARD PANEL



02 1 X FOOT BOARD PANEL



03 2 X SIDE RAILS



04 1 X CENTER RAILS



05 2 X SUPPORT RAILS



06 2 X KD LEG



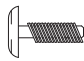
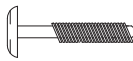
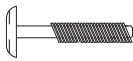
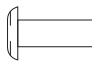
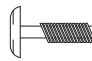
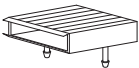
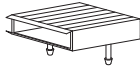
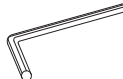
07 30 X SPRING SLAT



IMPORTANT

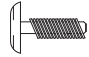
- 1) Read these instruction carefully and familiarise your self with the procedure before assembling the unit.
- 2) Check that you have all the component parts following the list on the back cover and familiarise yourself with each part before proceeding.
- 3) Take all the fitting out of the plastic bag and separate them into their groups.
- 4) Ensure you have enough space to layout all the parts before assembly.
- 5) To avoid scratching it is recommended that you assemble the unit on a soft level surface.

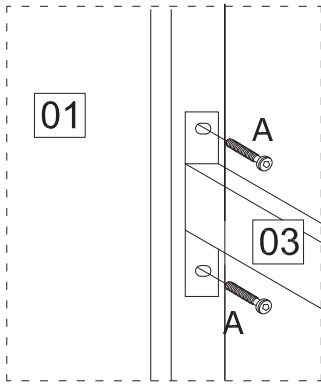
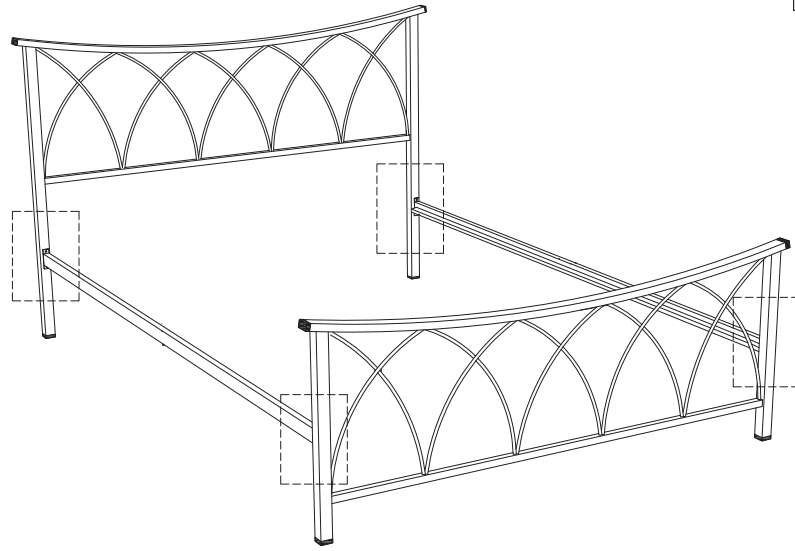
FITTINGS

<p>A</p>  <p>SCREW M6 x 15MM</p> <p>8 PCS</p>	<p>B</p>  <p>SCREW M6 x 45MM</p> <p>4 PCS</p>	<p>C</p>  <p>SCREW M6 x 35MM</p> <p>2 PCS</p>	<p>D</p>  <p>JCN NUT M6 x 20MM</p> <p>6 PCS</p>	<p>E</p>  <p>SCREW M6 x 10MM</p> <p>4 PCS</p>
<p>F</p>  <p>SIDE SLAT STOPPER</p> <p>30 PCS</p>	<p>G</p>  <p>CENTER SLAT STOPPER</p> <p>15 PCS</p>	<p>H</p>  <p>M4 ALAN KEY</p> <p>2 PCS</p>		

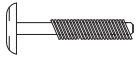

WE STRONGLY RECOMMEND THAT YOU **DO NOT** USE POWER TOOLS DURING ASSEMBLY. POWER TOOLS CAN OVERTIGHTEN AND **DAMAGE COMPONENTS** OR MAKE THE **PRODUCT UNSAFE**. AND DAMAGE DUE TO THE USE OF POWER TOOLS ARE AT THE CUSTOMERS OWN RISK AND WILL NOT BE ACCEPTED BACK BY THE SUPPLIER. WE RECOMMEND YOU USE THE TOOLS PROVIDED IN YOUR ASSEMBLY KIT.

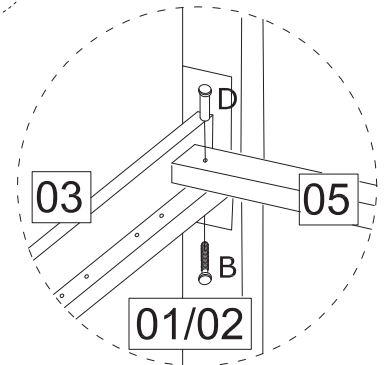
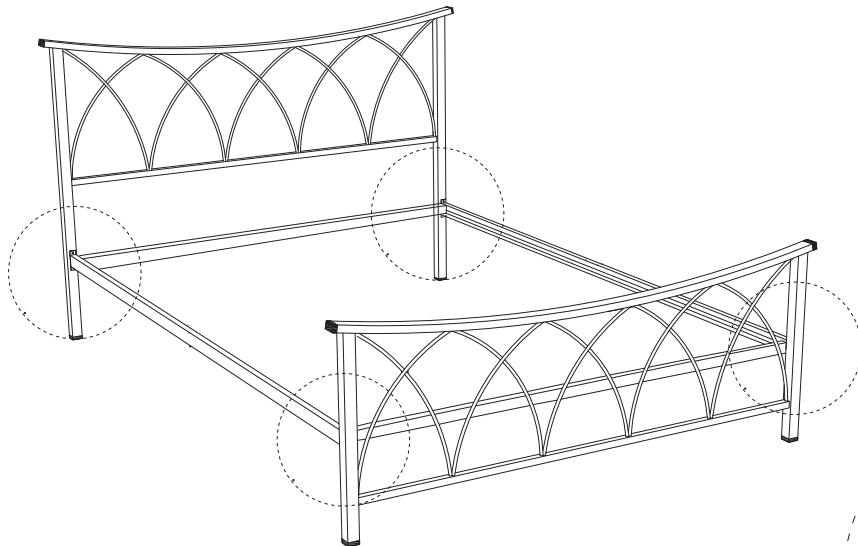
Step 1

A	
SCREW M6 x 15MM	
8 PCS	

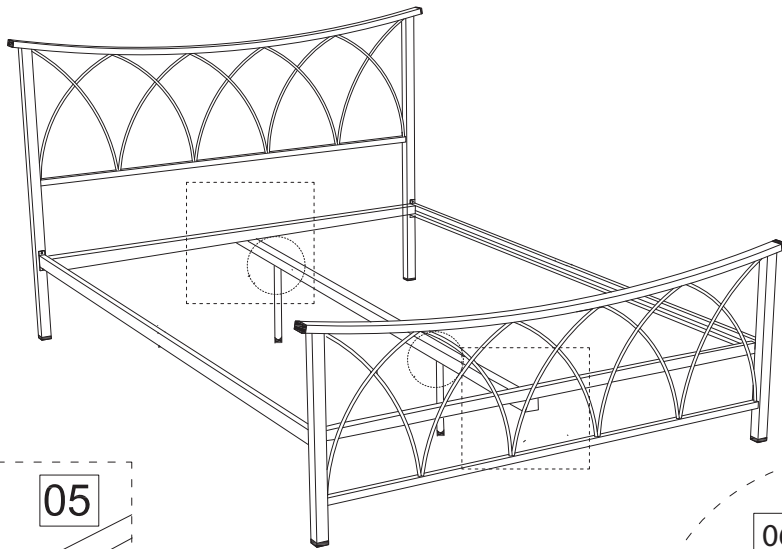


Step 2

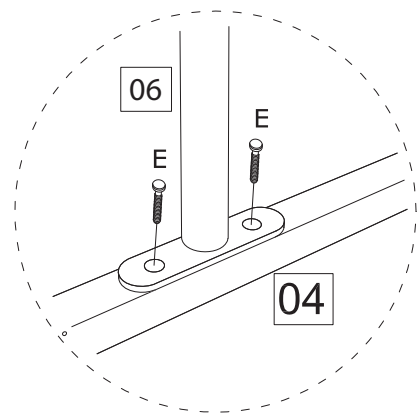
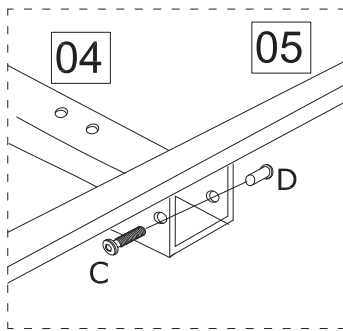
B	
SCREW M6 x 45MM	
4 PCS	
D	
JCN NUT M6 x 20MM	
4 PCS	



Step 3



C		2 PCS
D		2 PCS
E		4 PCS



Step 4

