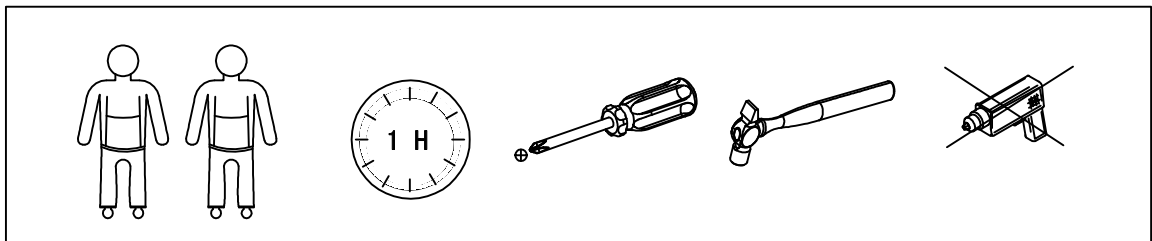
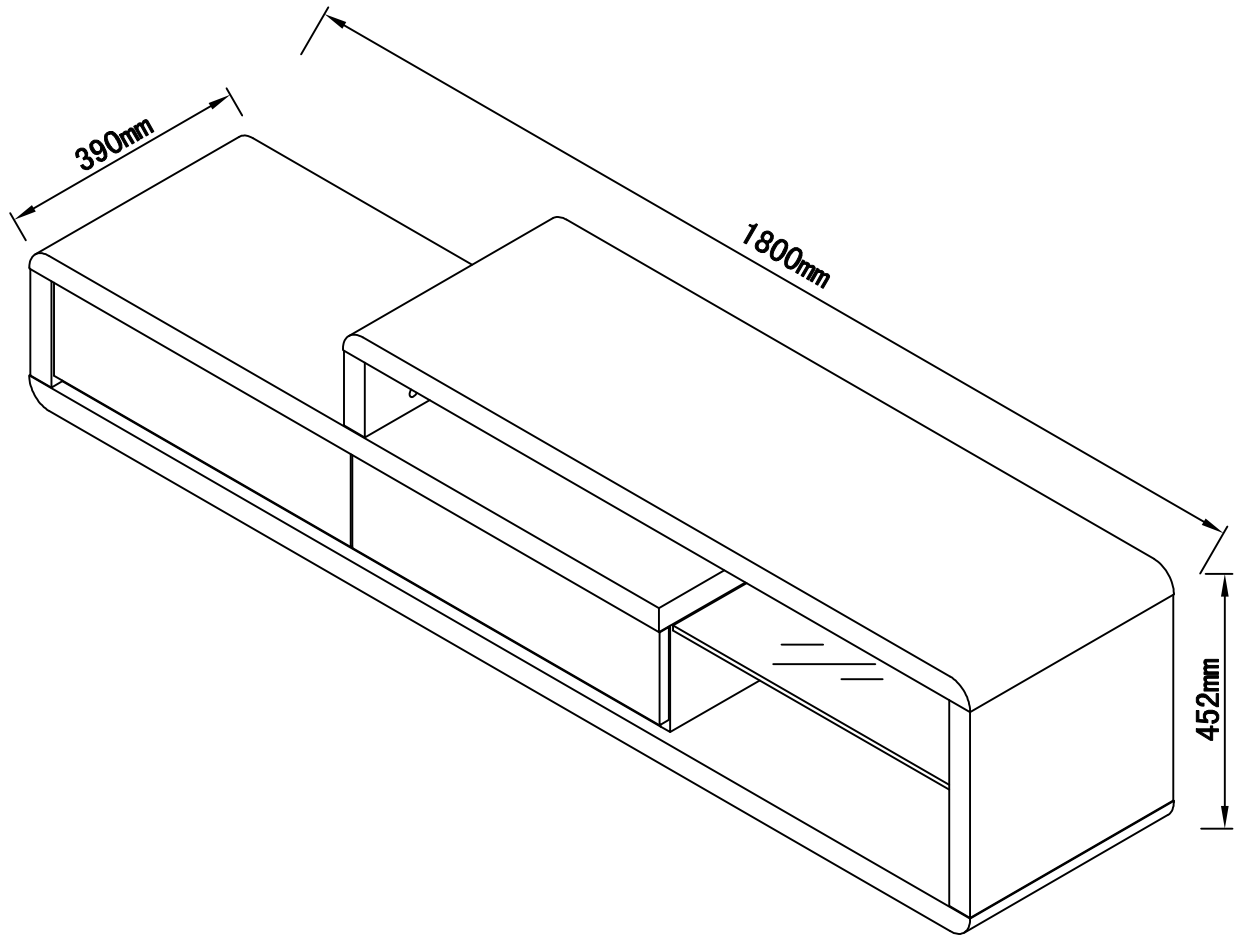
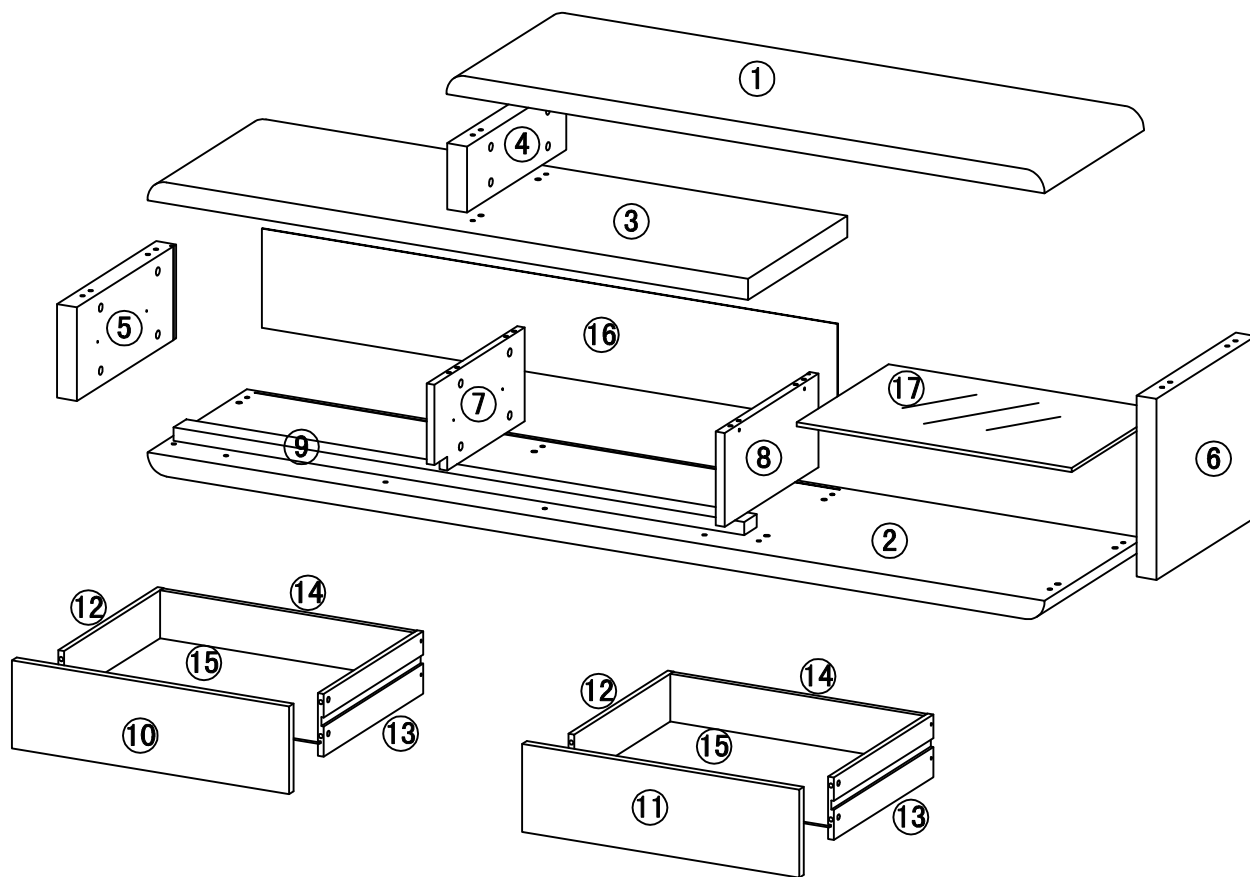
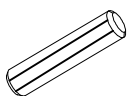


ERAN





ϕ 8x35
Ax24



ϕ 15x12
Bx20



ϕ 8x35
Cx20



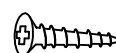
ϕ 10x10
Dx8



ϕ 8x18
Ex8



ϕ 3.5x30
Fx8



ϕ 3x16
Gx2



20x16x10
Hx2



ϕ 4x12
Ix12



350mm
Jx2



ϕ 4x10
Kx4



Lx6



ϕ 20
Mx8



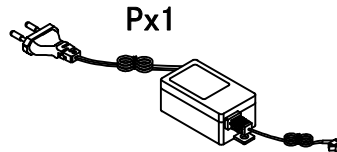
Nx1



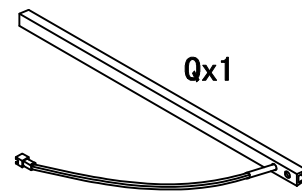
ϕ 8
Ox4



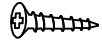



Px1

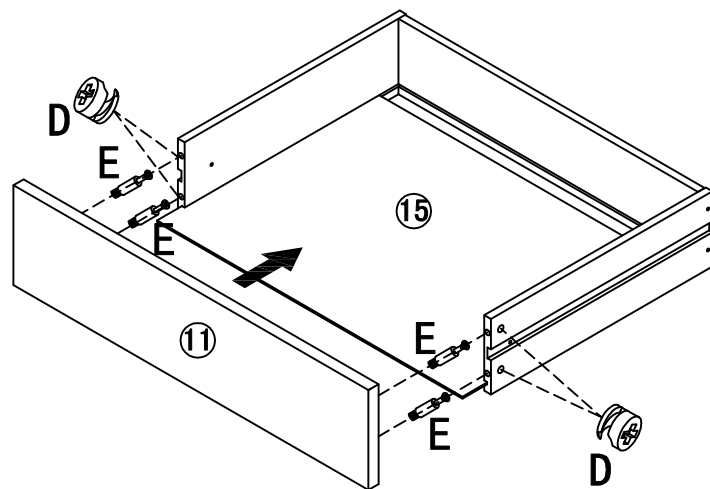
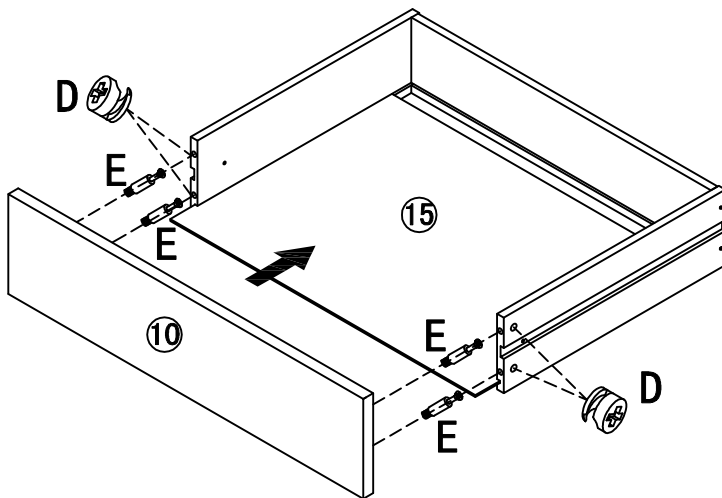
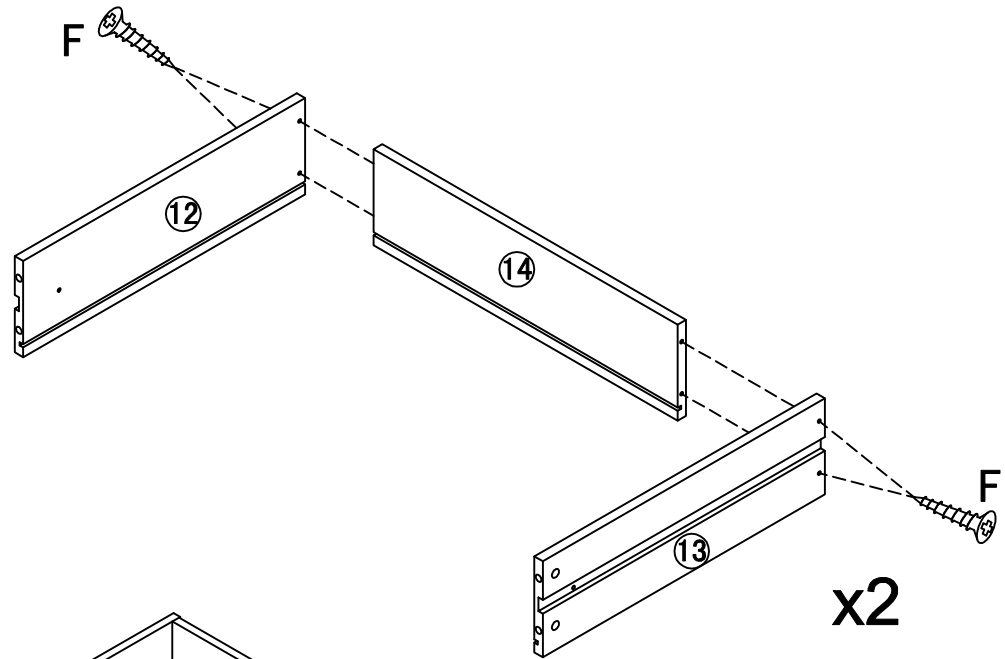


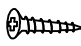


Qx1

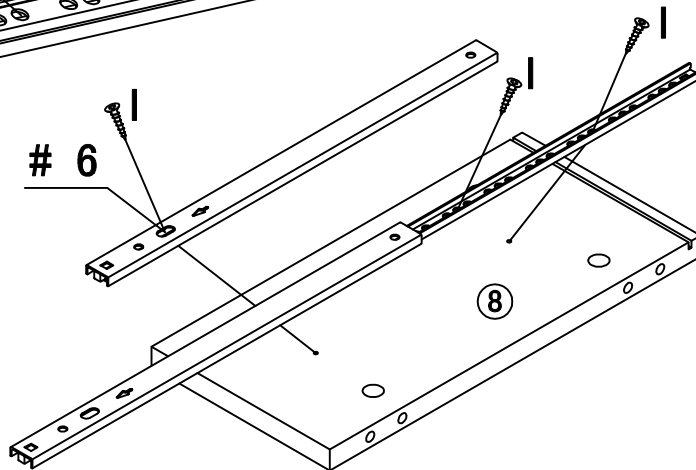
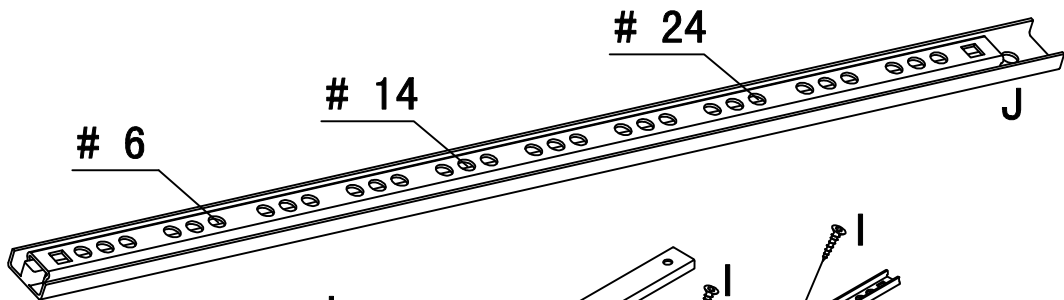
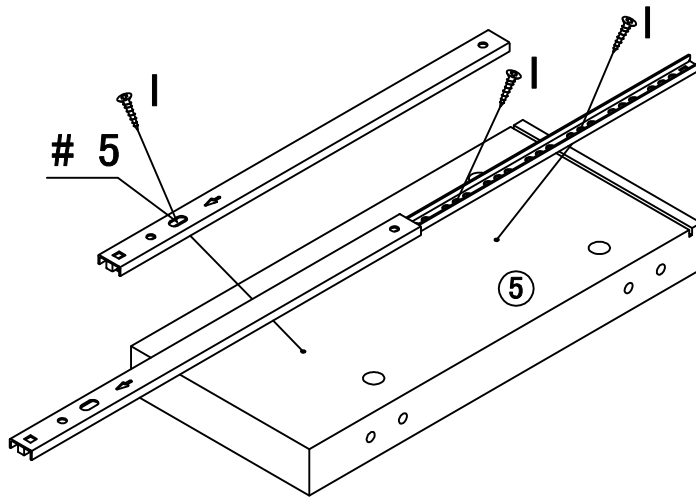
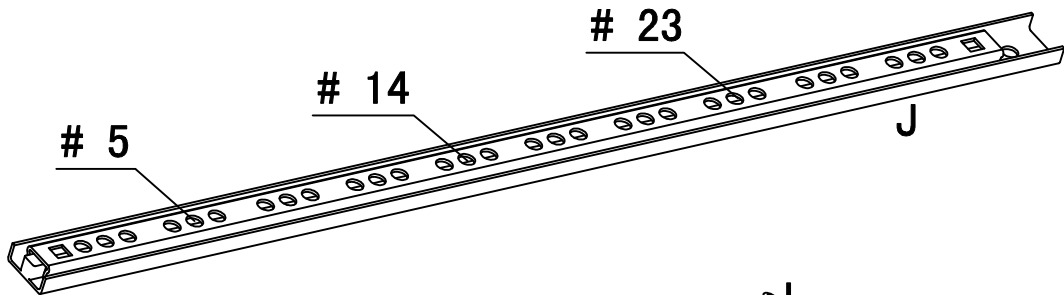


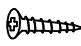


Dx8  Ø10x10mm	Ex8  Ø8x18mm	Fx8  φ 3.5x30	
---	--	---	---

1

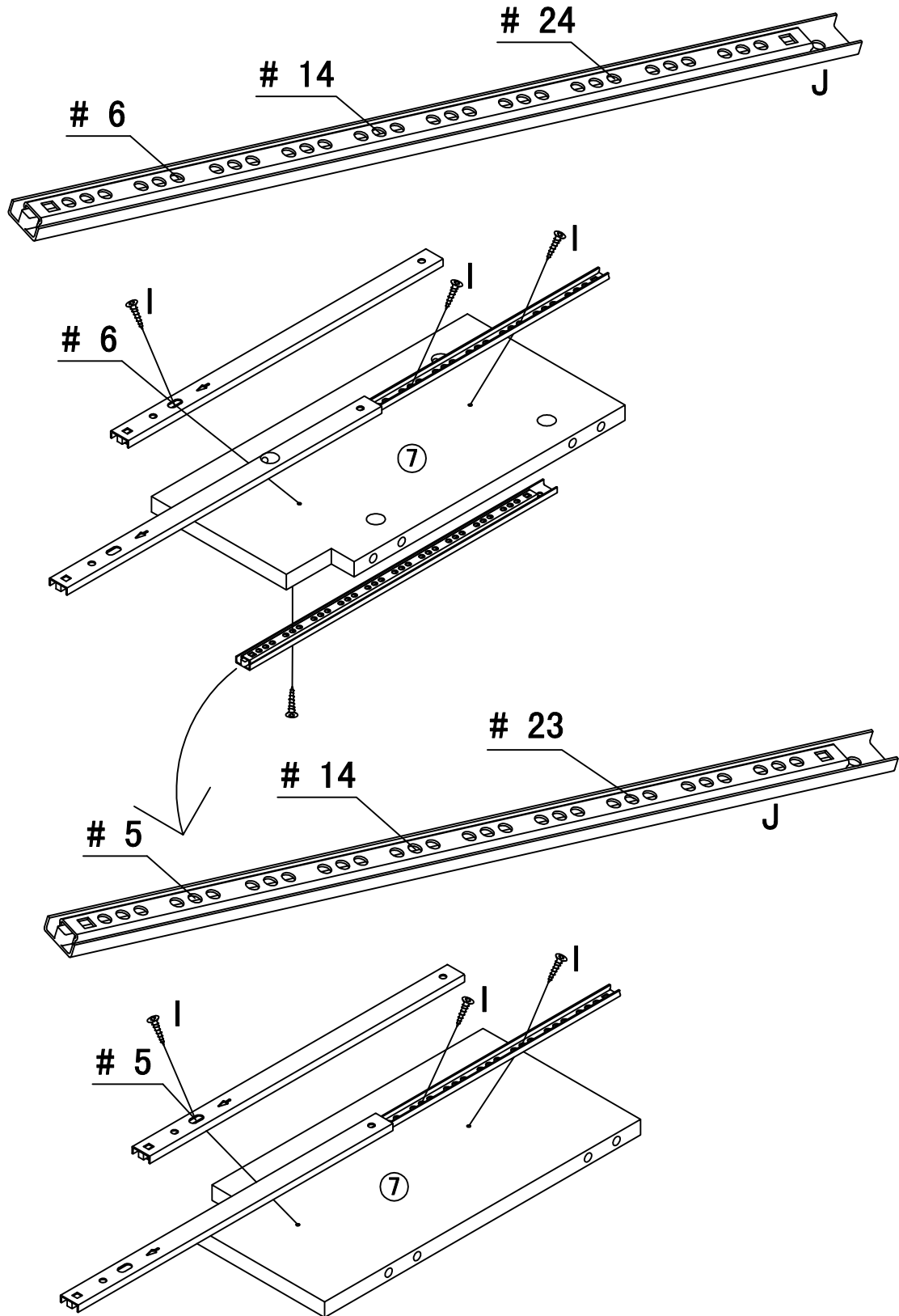




Ix6  φ 4x12	Jx1  350mm	
--	---	---



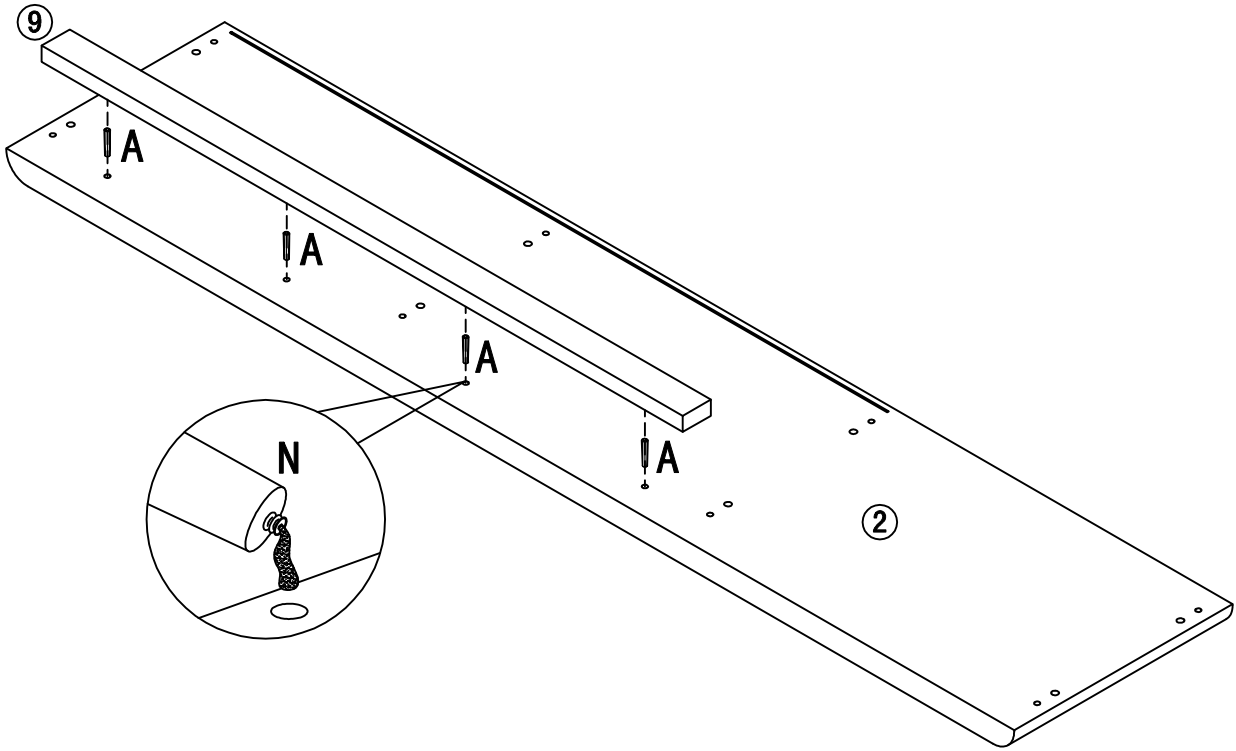
Ix6  φ 4x12	Jx1  350mm	
--	---	---



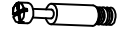

3



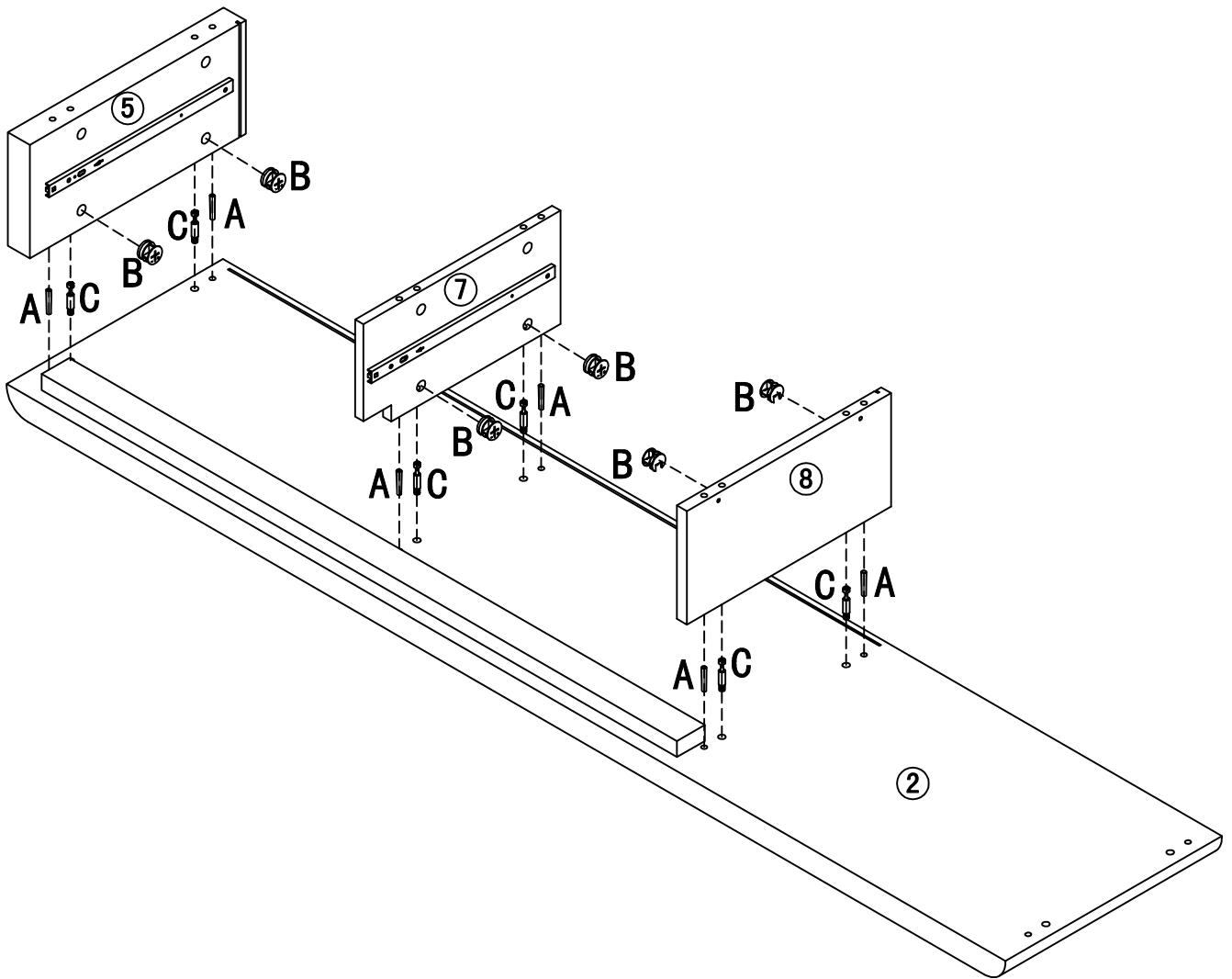
Ax4  Ø8x35mm	Nx1 	
--	---	---



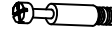

4



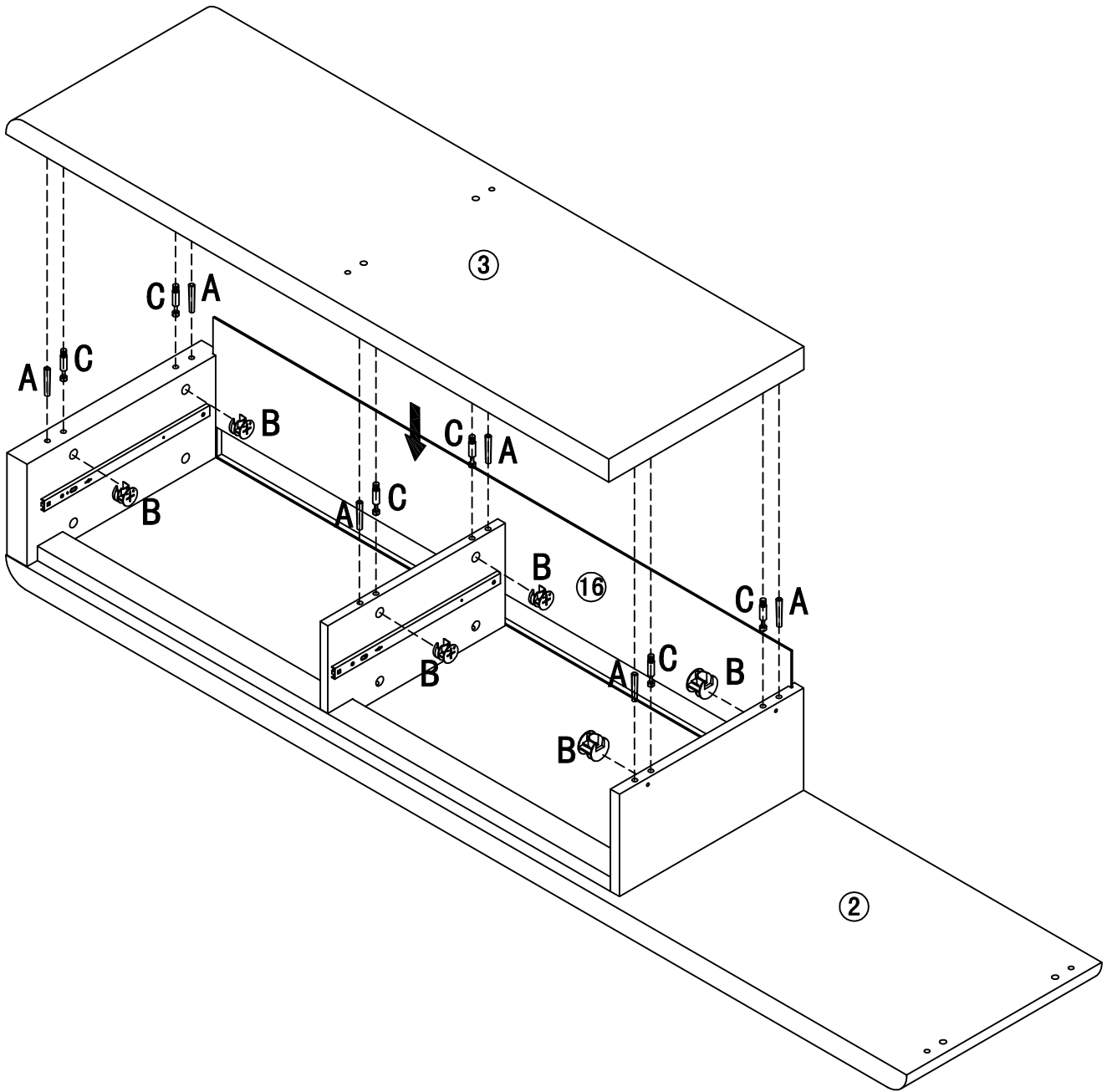
Ax6  Ø8x35mm	Bx6  Ø15x12mm	Cx6  Ø8x35mm	
--	---	--	---



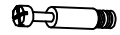

5



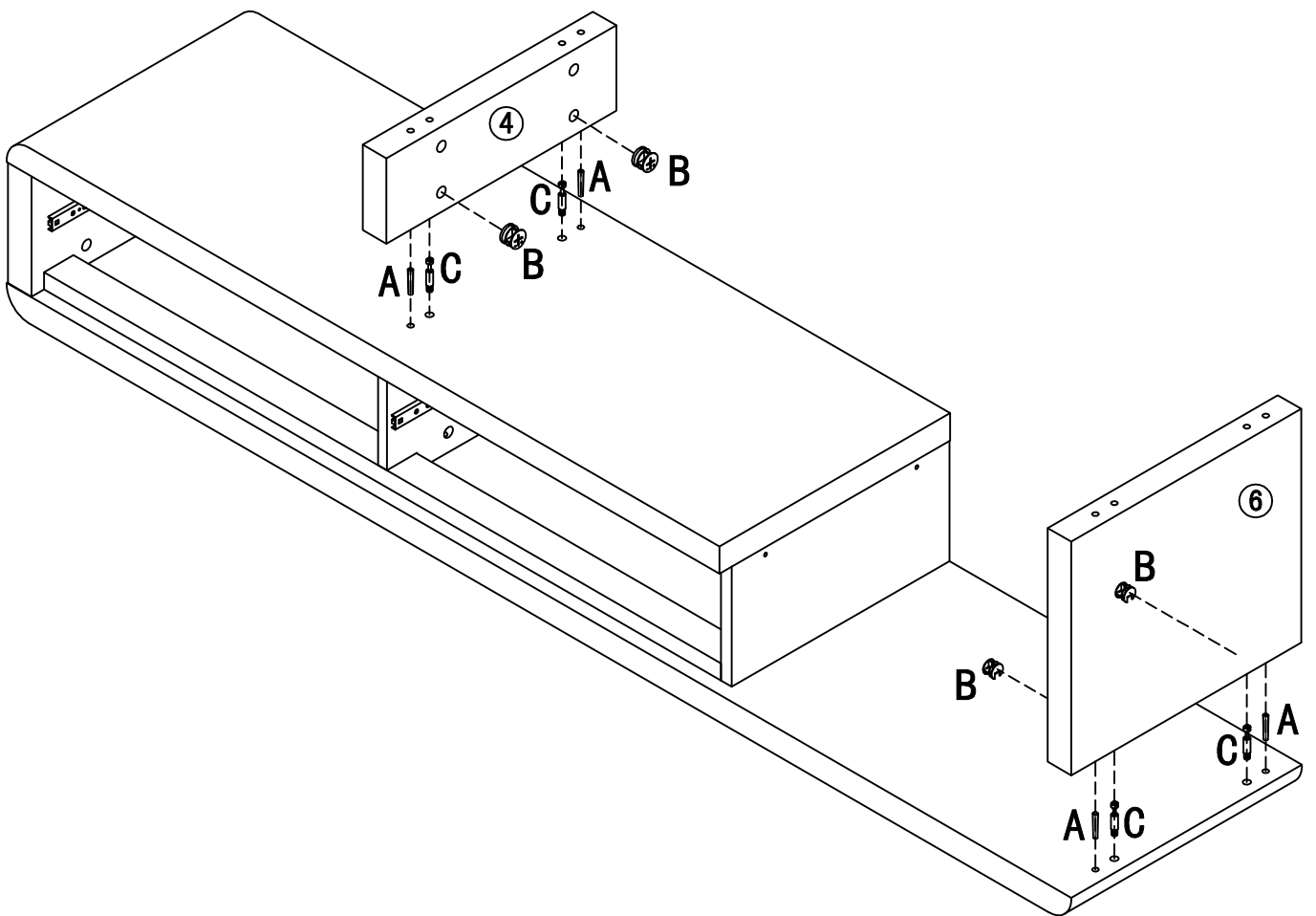
<p>Ax6</p>  <p>Ø8x35mm</p>	<p>Bx6</p>  <p>Ø15x12mm</p>	<p>Cx6</p>  <p>Ø8x35mm</p>	
--	---	--	---



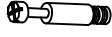

6



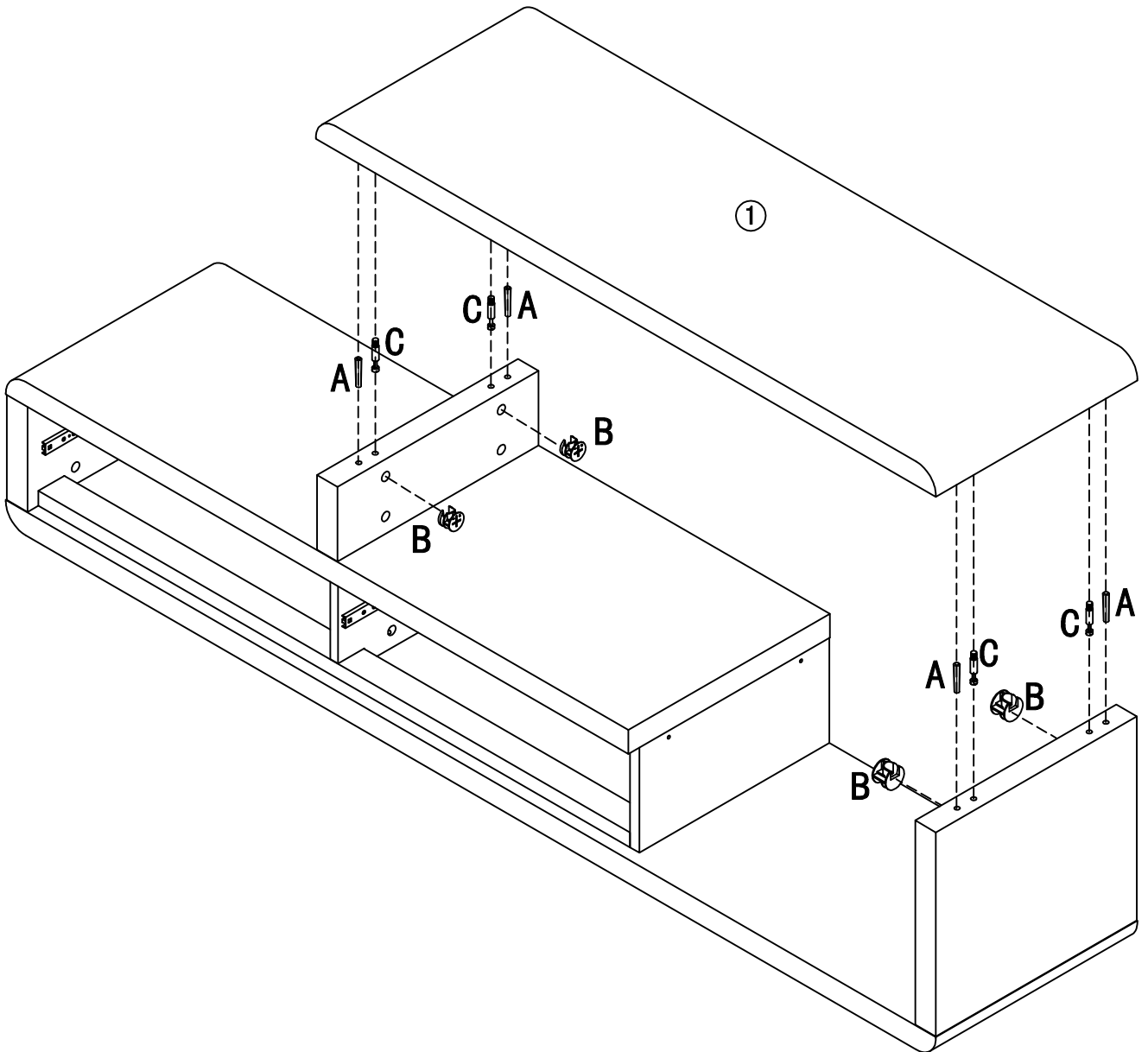
Ax4  Ø8x35mm	Bx4  Ø15x12mm	Cx4  Ø8x35mm	
--	---	--	---

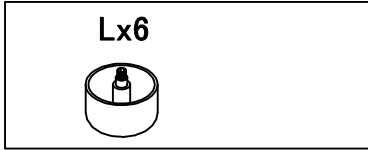
7



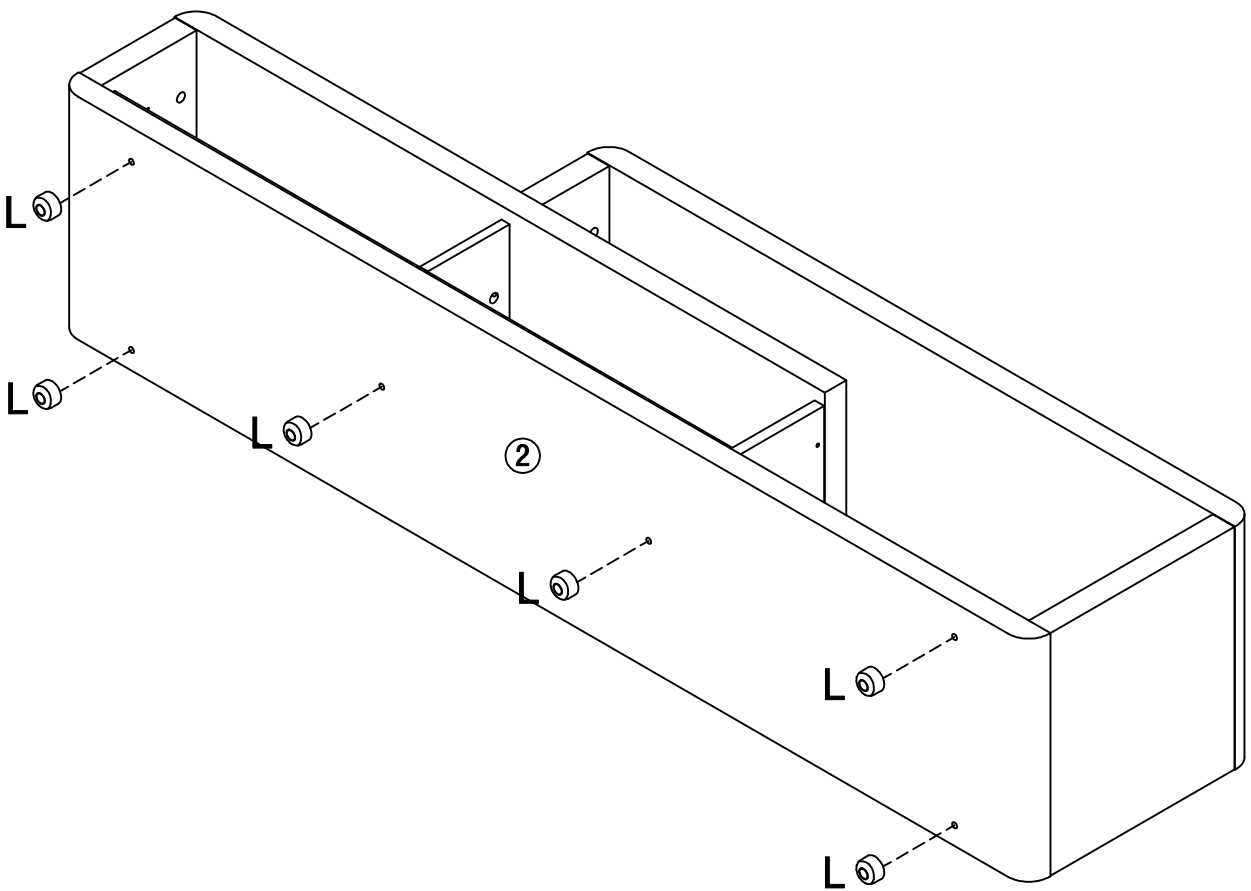
Ax4  Ø8x35mm	Bx4  Ø15x12mm	Cx4  Ø8x35mm	
--	---	--	---




8



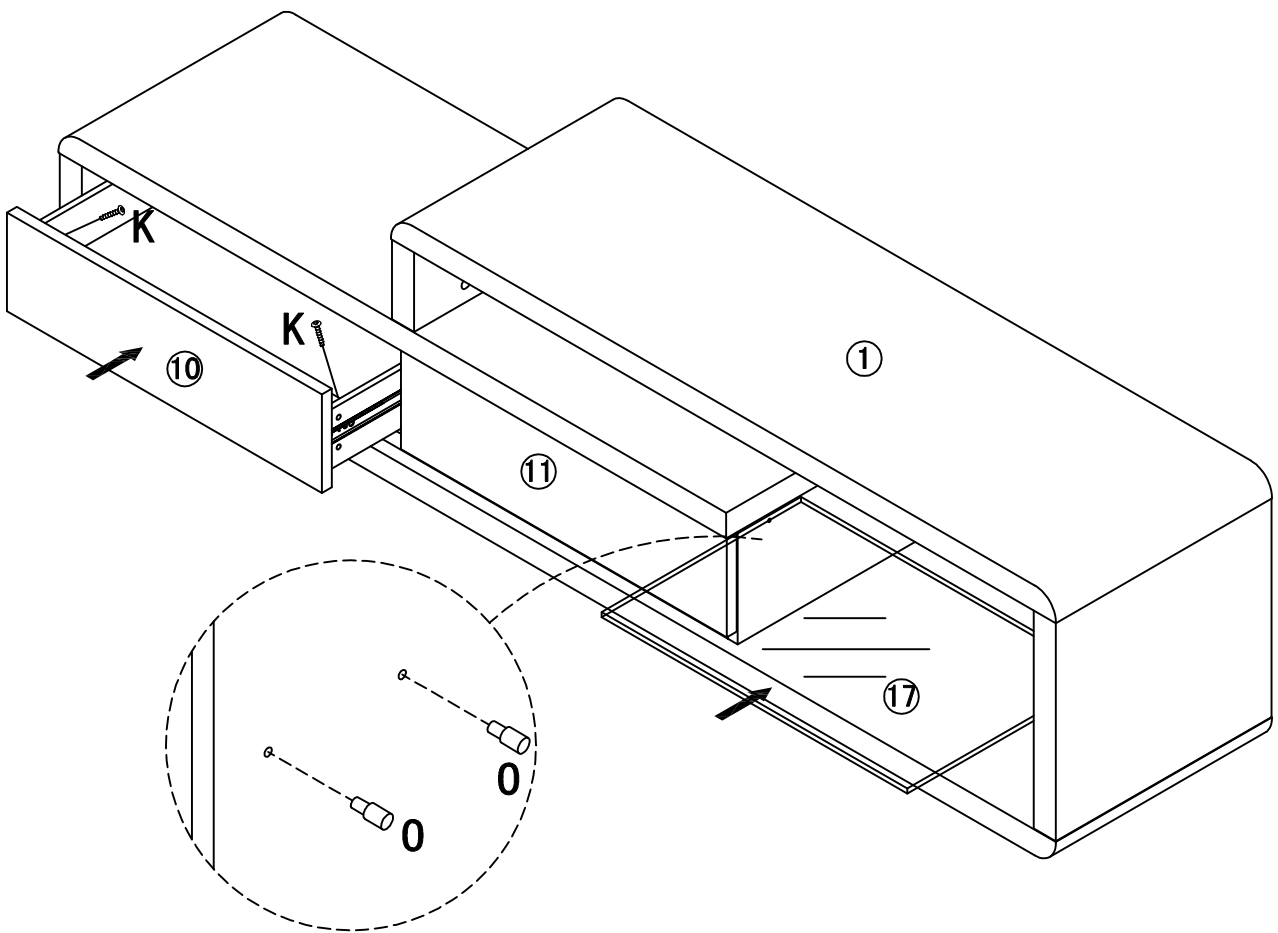


9



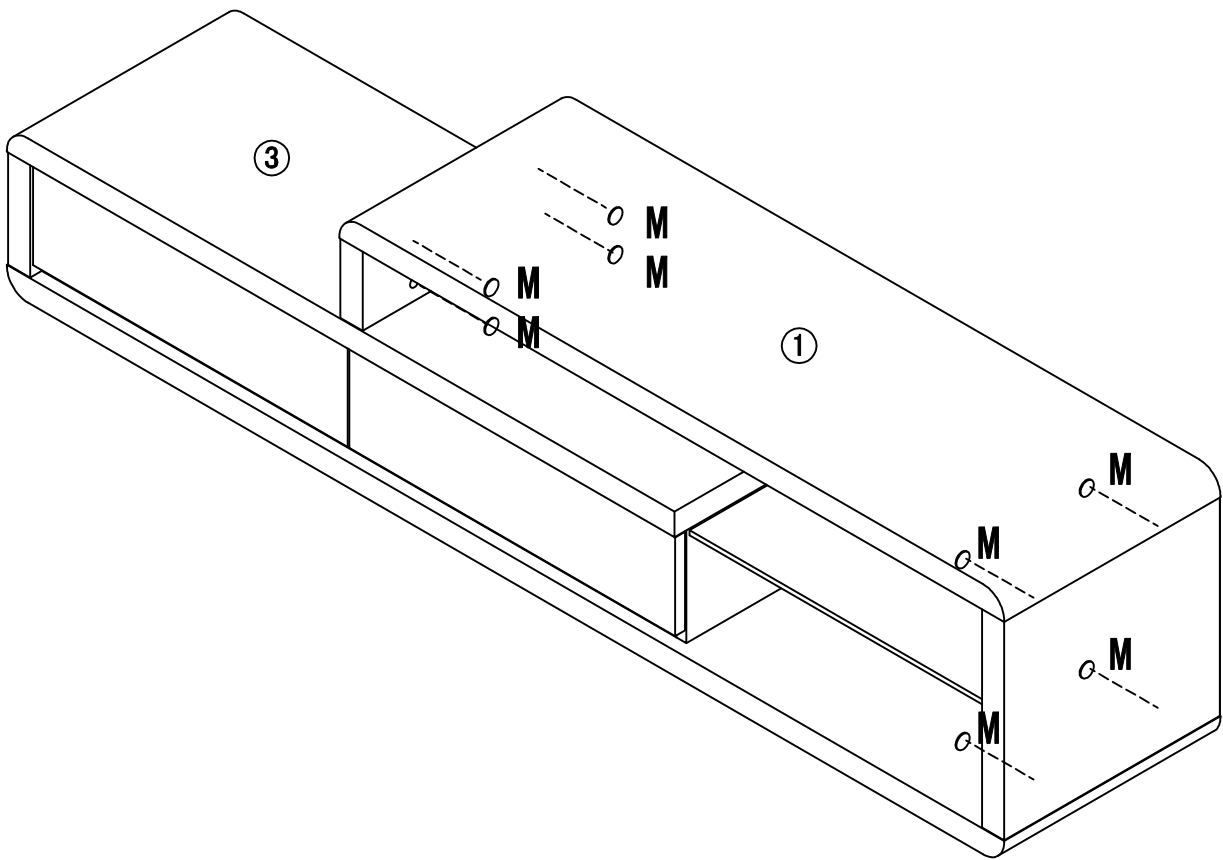
Kx4  Ø4x10mm	Ox4  ø5mm	
---	--	---

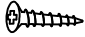

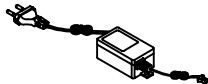


10



$\phi 20$
Mx8
O

11



Gx2  Ø3x16mm	Hx2  20x16x10mm	Px1 	Qx1 	
--	---	---	--	---

12

Px1

Qx1

