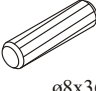
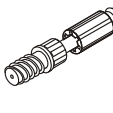



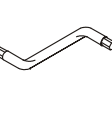
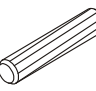
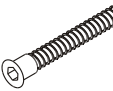

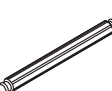
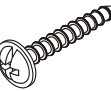

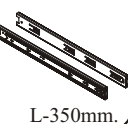
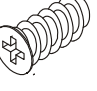
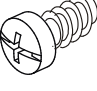
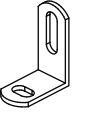



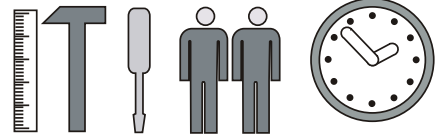
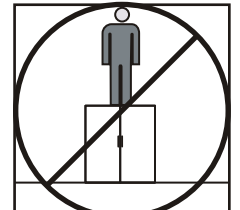
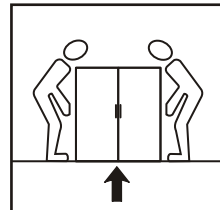
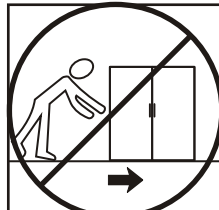
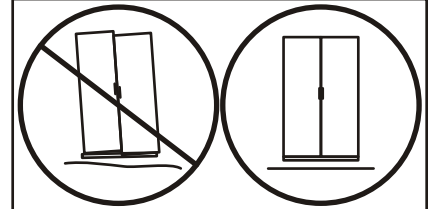
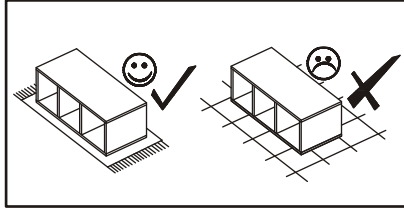
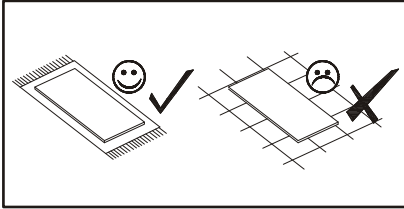
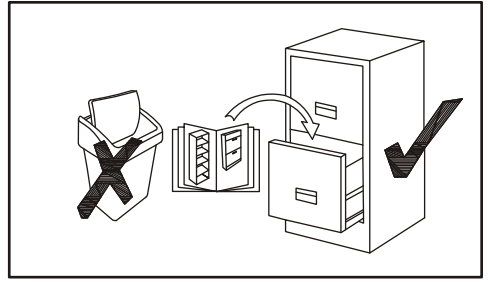
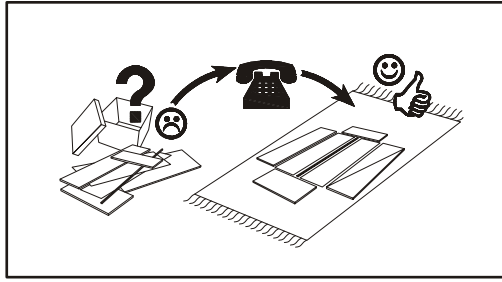
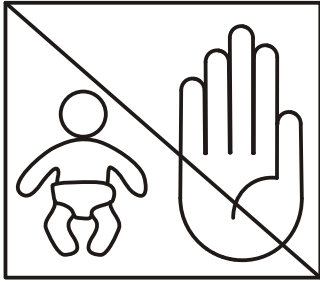
60 min

A1 X30  ø8x36	B4 X20 	B5 X28  ø15x12	G5 X28 	I2 X8 	G2 X1 
A3 X8  ø8x47	B11 X4  Ø7x50	G4 X4 	B6 X4  Ø7x78	UP15 X12  UPØ4x25	UP6 X4  UPØ4x30
H8 X1  L-350mm.	D8 X10  ESØ5x13	D31 X4  EKØ6,3x13	L6 X2 	B3 X5  Ø1,4x25	

BOSTON

TYPE 21

24 BT

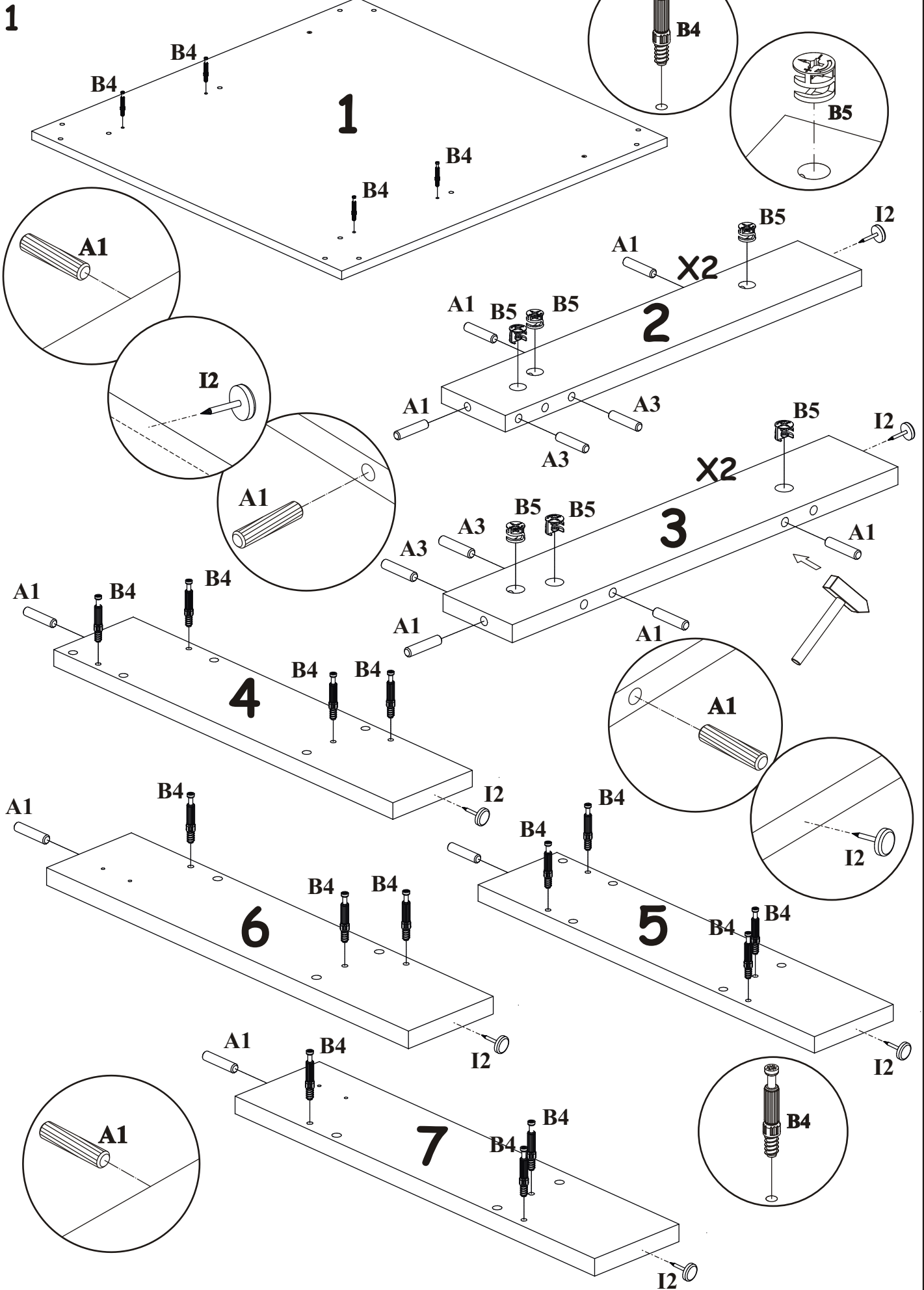


60 min

BOSTON

TYPE 21

24 BT

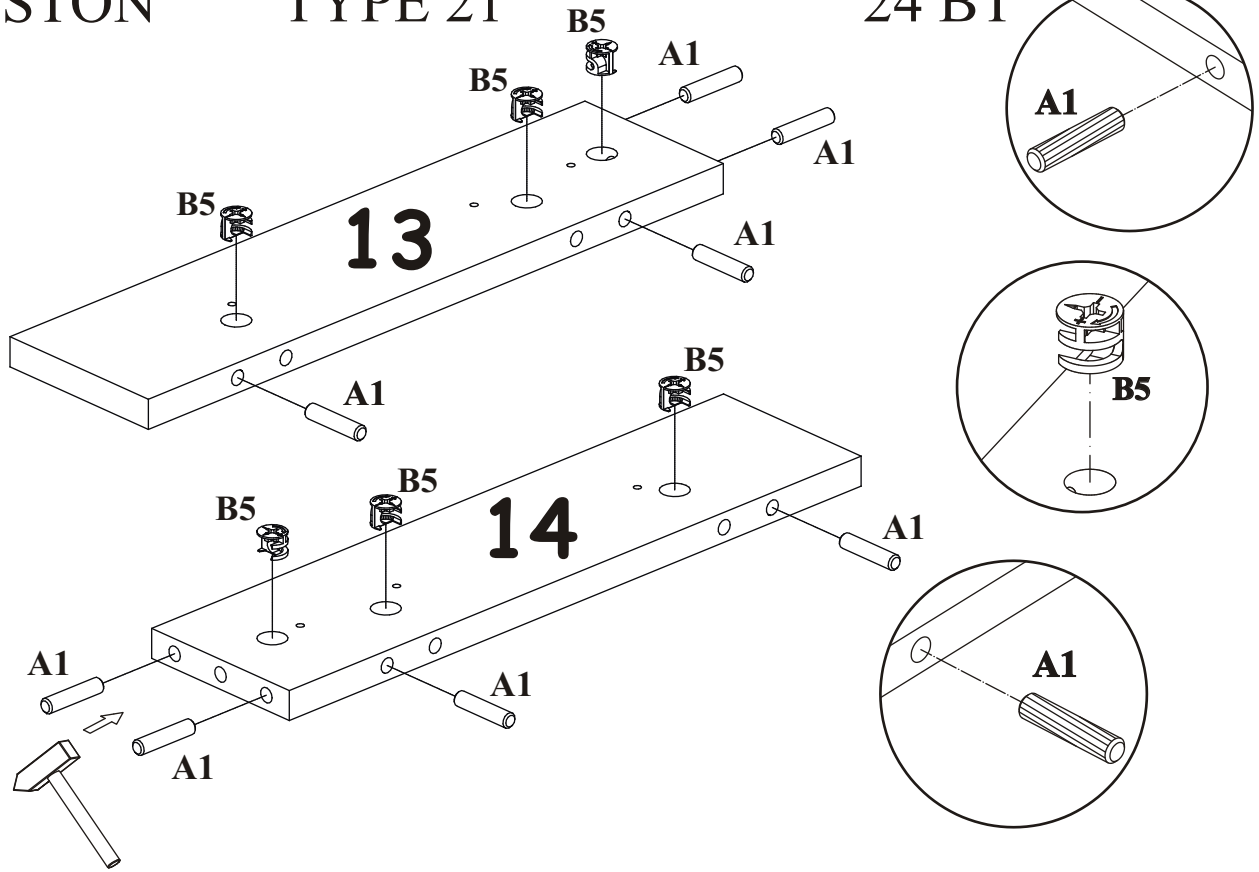


BOSTON

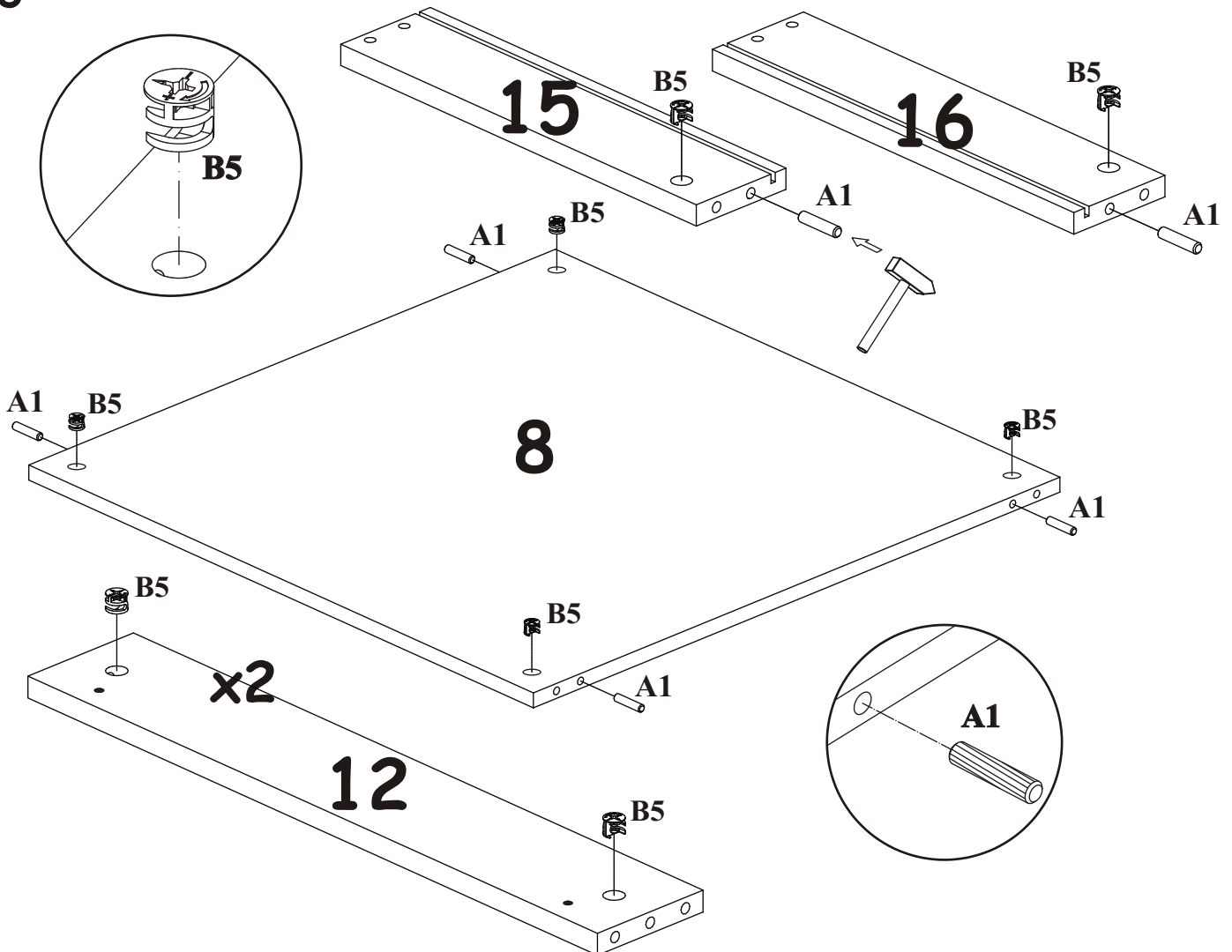
TYPE 21

24 BT

2



3

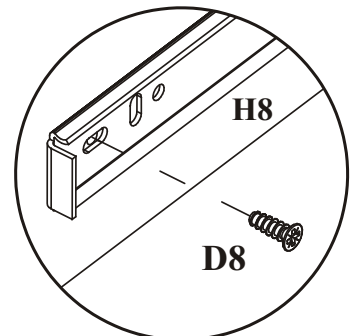
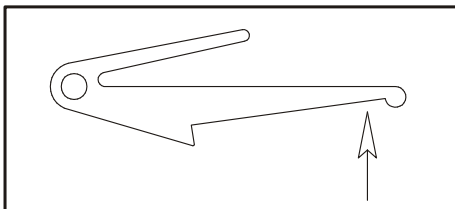
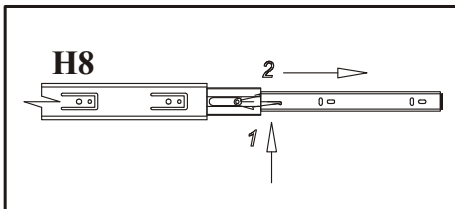
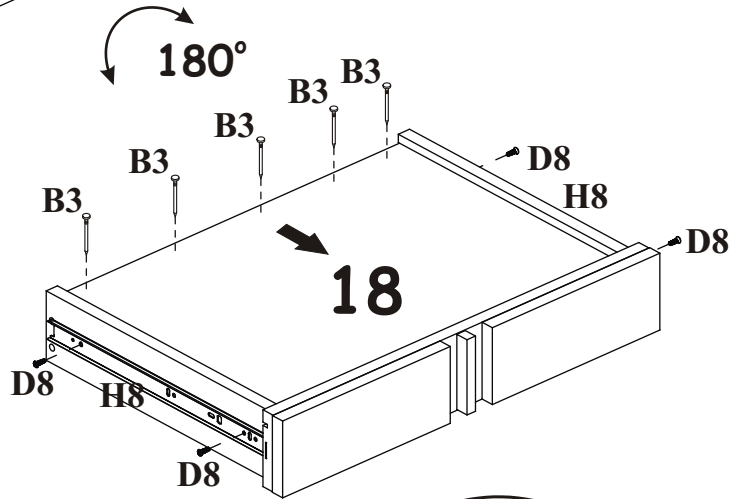
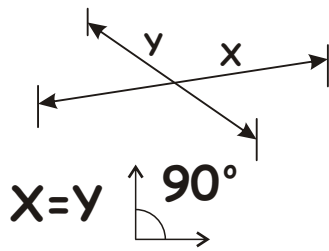
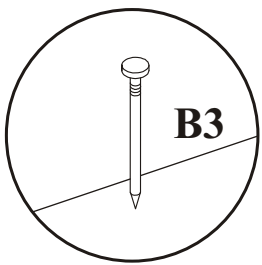
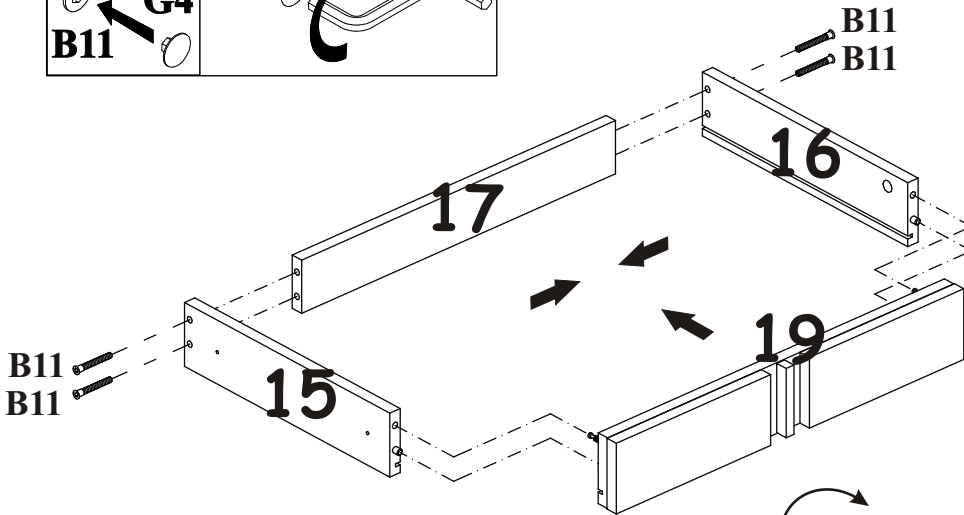
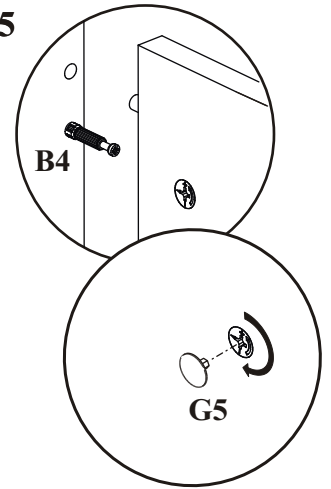
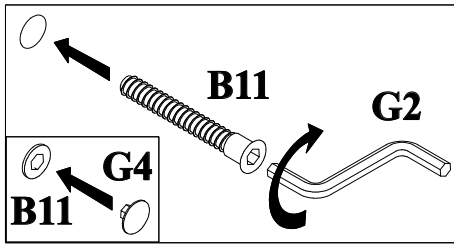
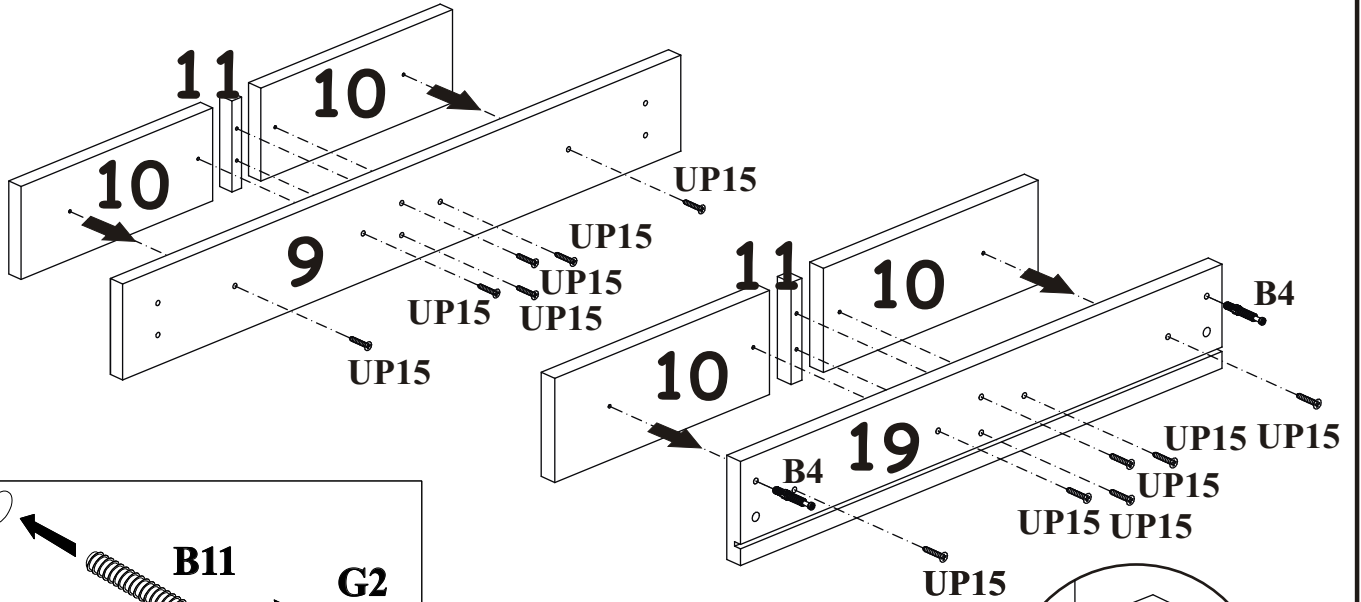


BOSTON

TYPE 21

24 BT

4

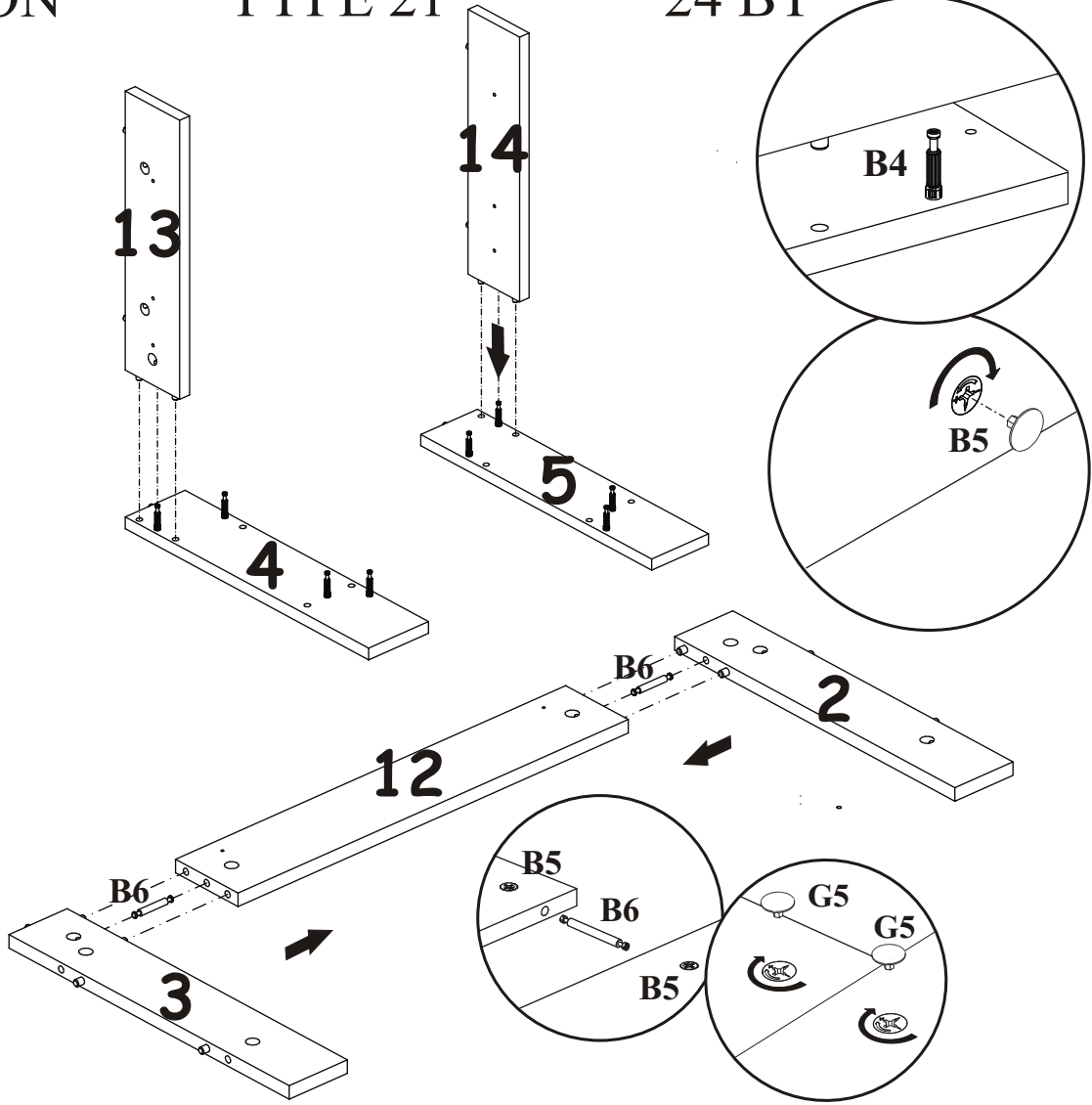


BOSTON

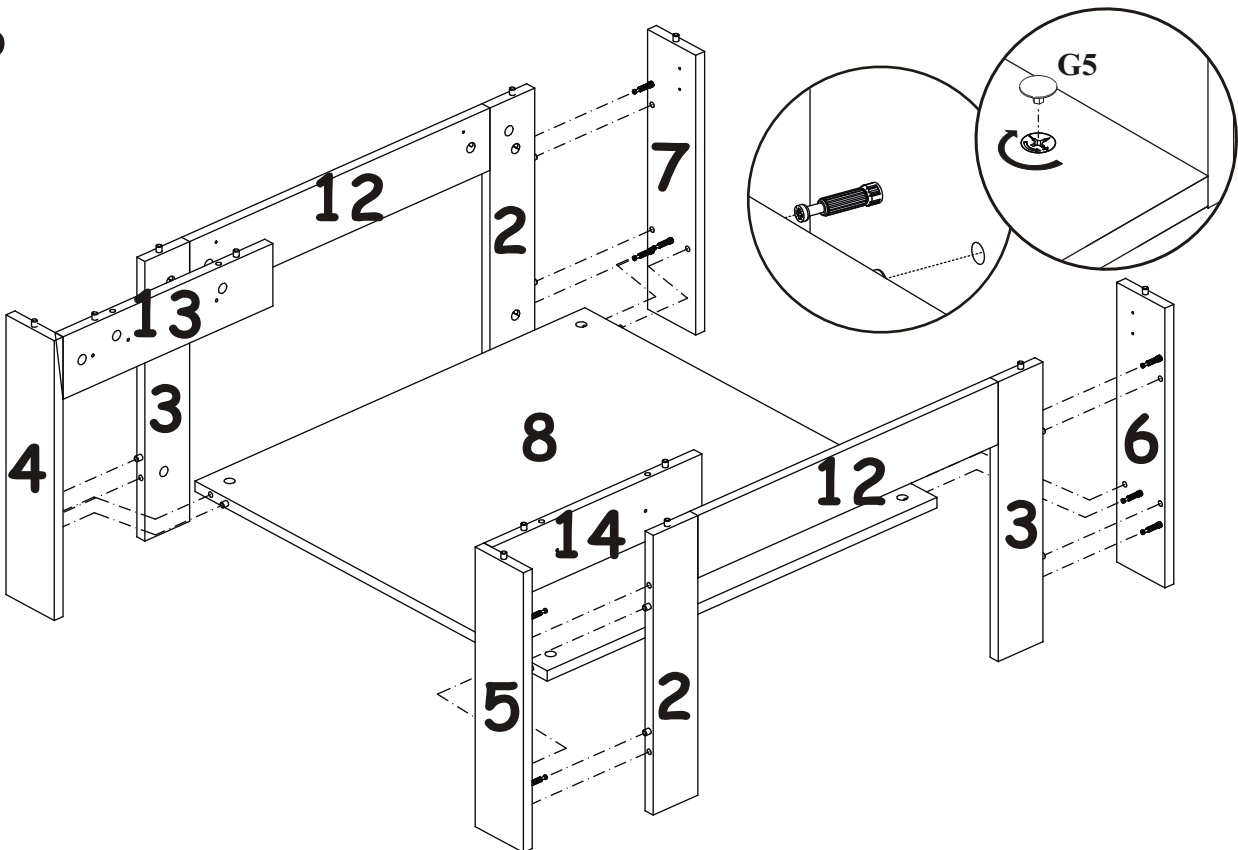
TYPE 21

24 BT

5



6



BOSTON

24 BT

7 TYPE 21

