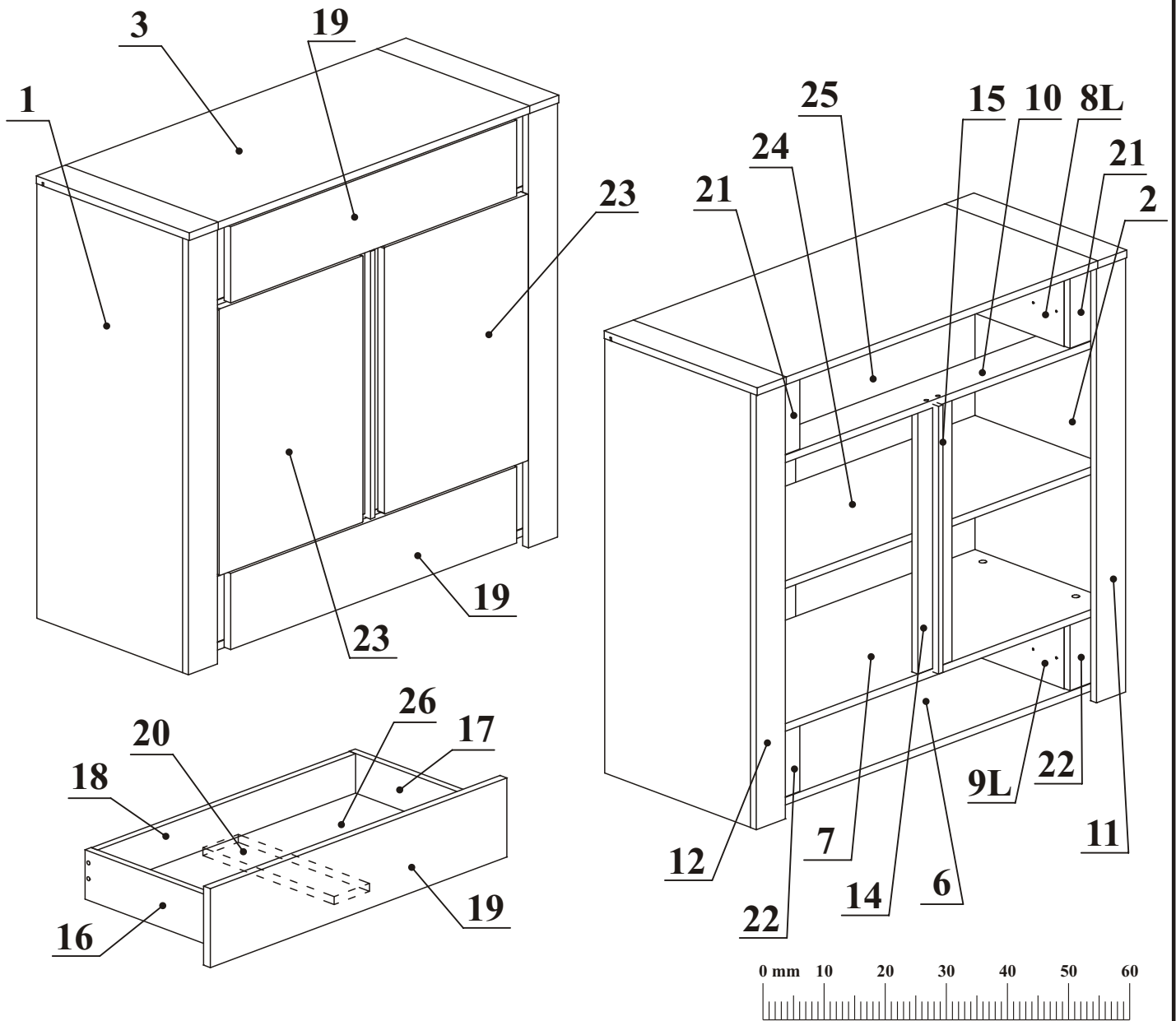


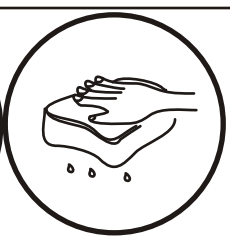
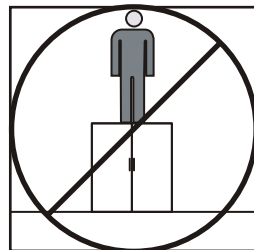
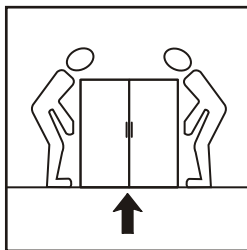
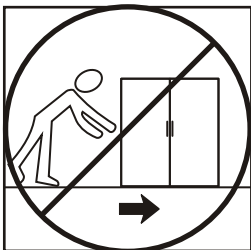
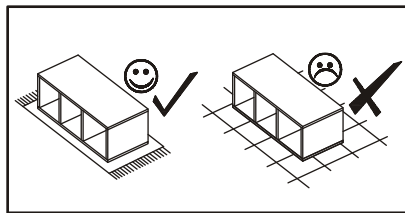
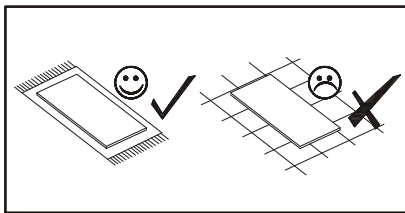
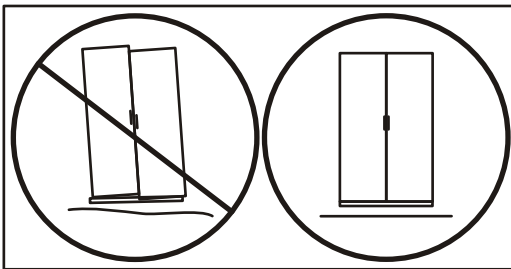
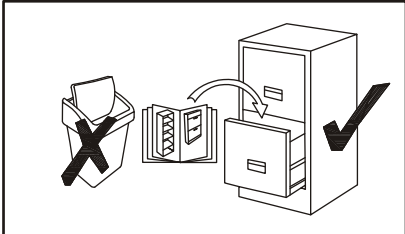
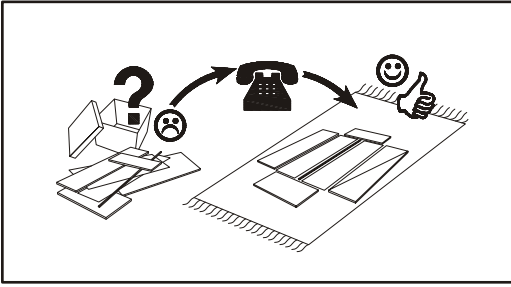
BOSTON

TYPE 01

24 BT



E13 X4		E12 X4		D9 X4	 USØ3x20		90 min				
A1 X44	 ø8x36	B4 X26		B5 X26	 ø15x12	G5 X26		D10 X8	 USØ3,5x13	UP16 X4	 UPØ4x35
B3 X20	 Ø1,4x25	H8 X2	 L=350	D6 X2	 USØ3,5x30	S1 X12		G7 X4		B11 X26	 Ø7x50
ST3 X1		I2 X4		D8 X20	 ESØ5x13	G2 X1		UP15 X3	 UPØ4x25	G4 X26	

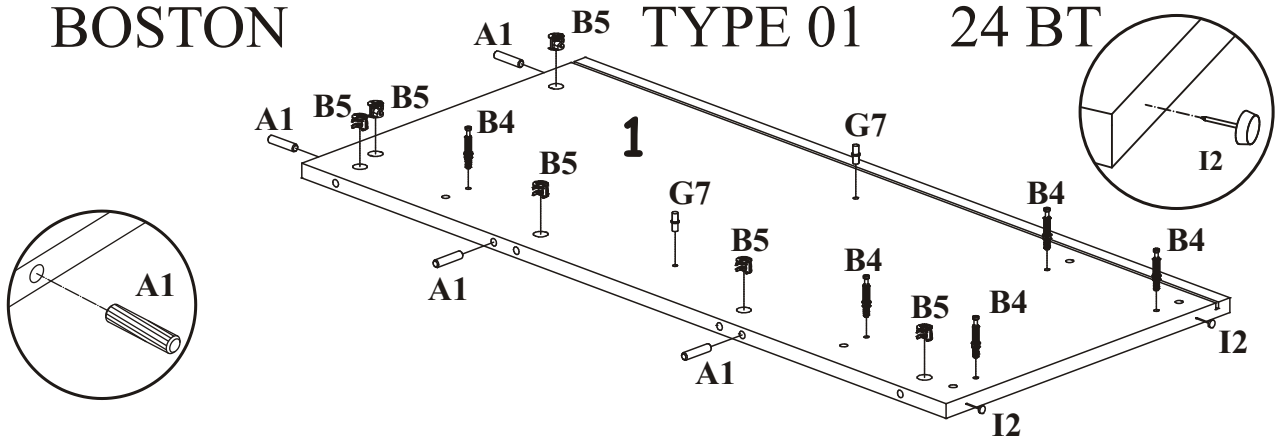


BOSTON

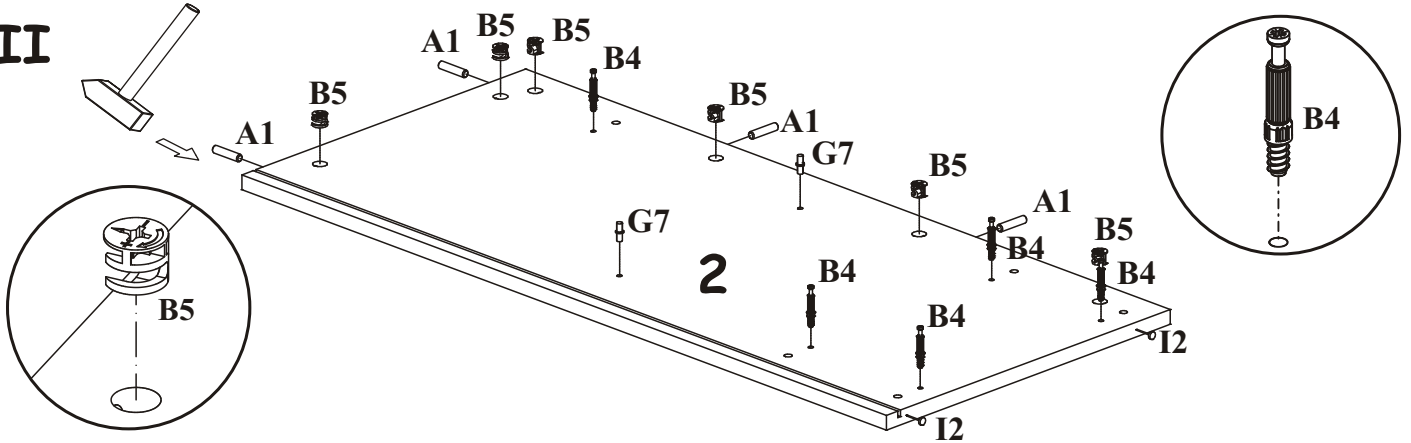
TYPE 01

24 BT

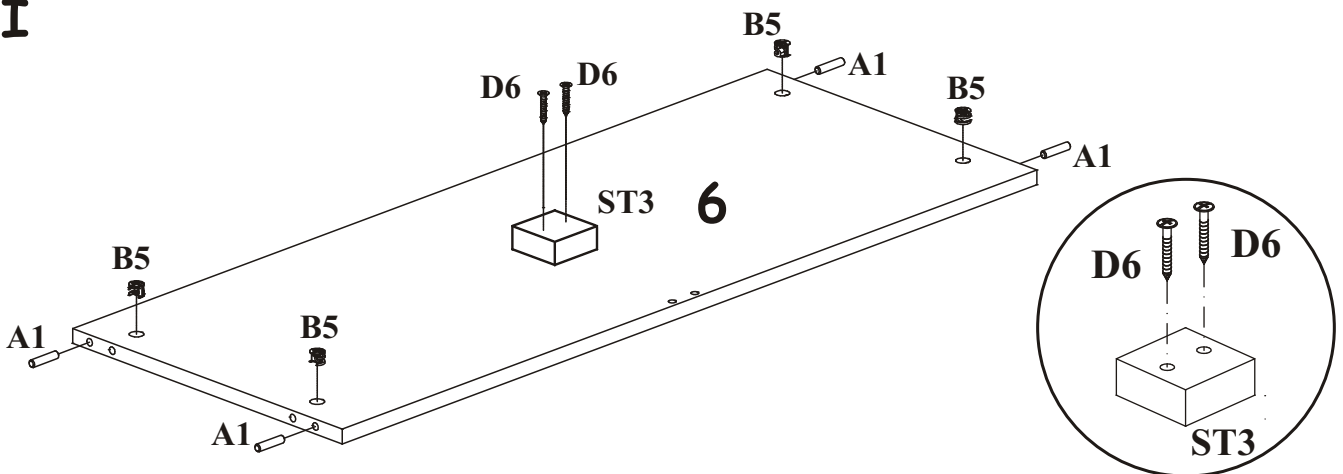
I



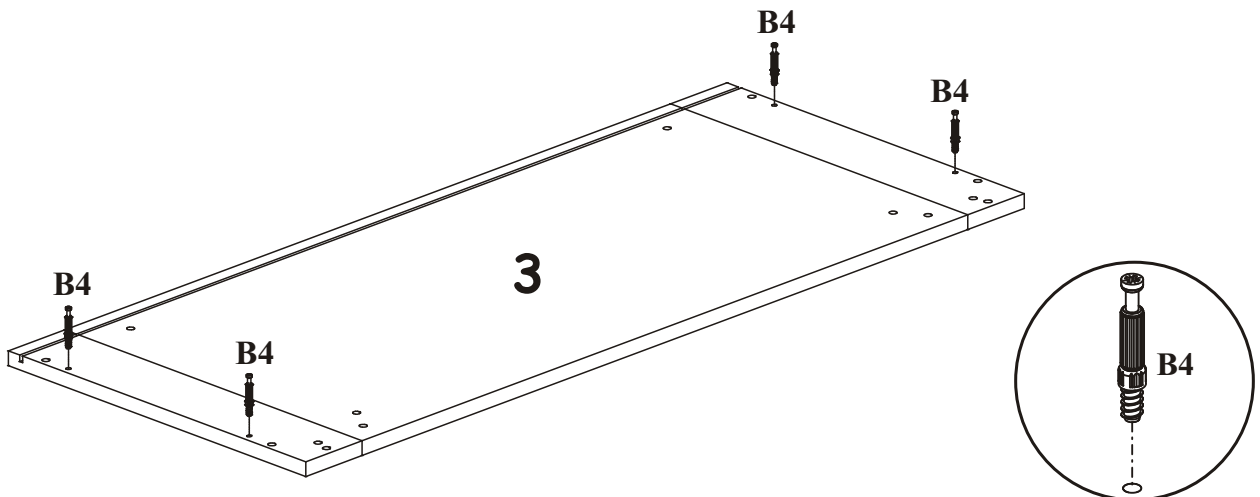
II



III



IV

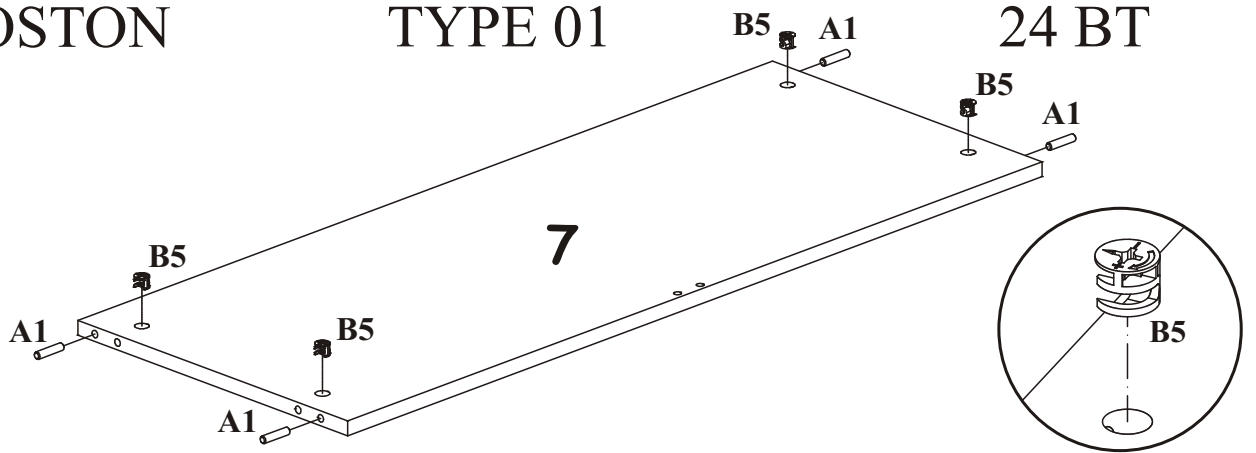


BOSTON

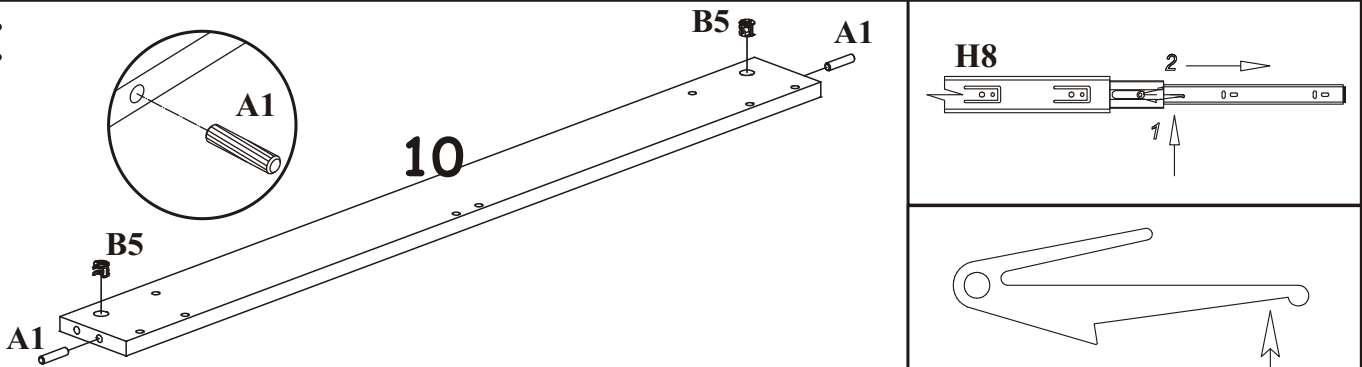
TYPE 01

24 BT

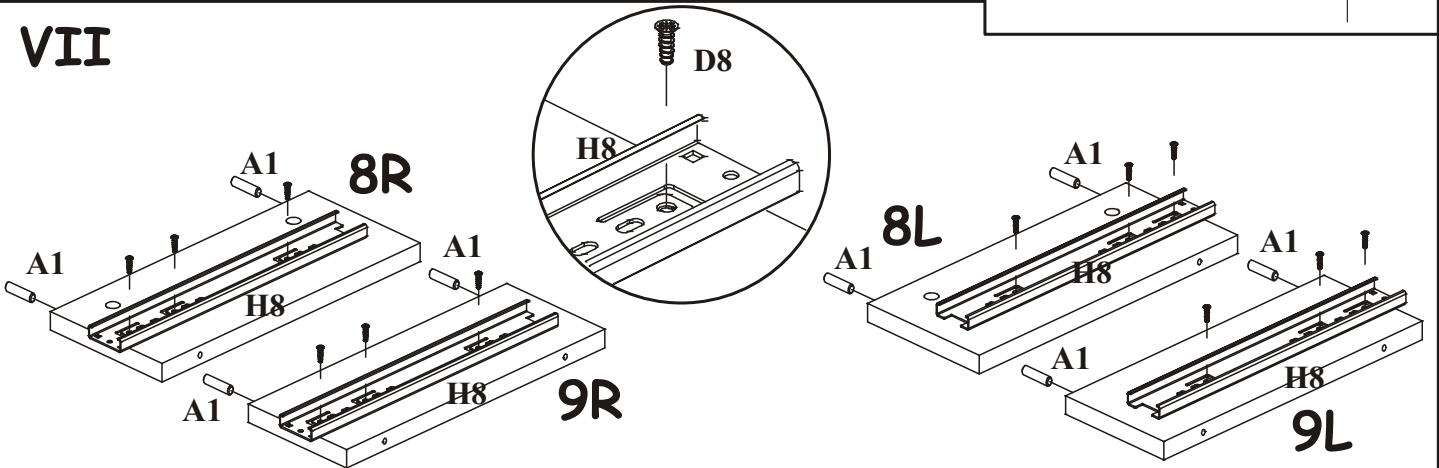
V



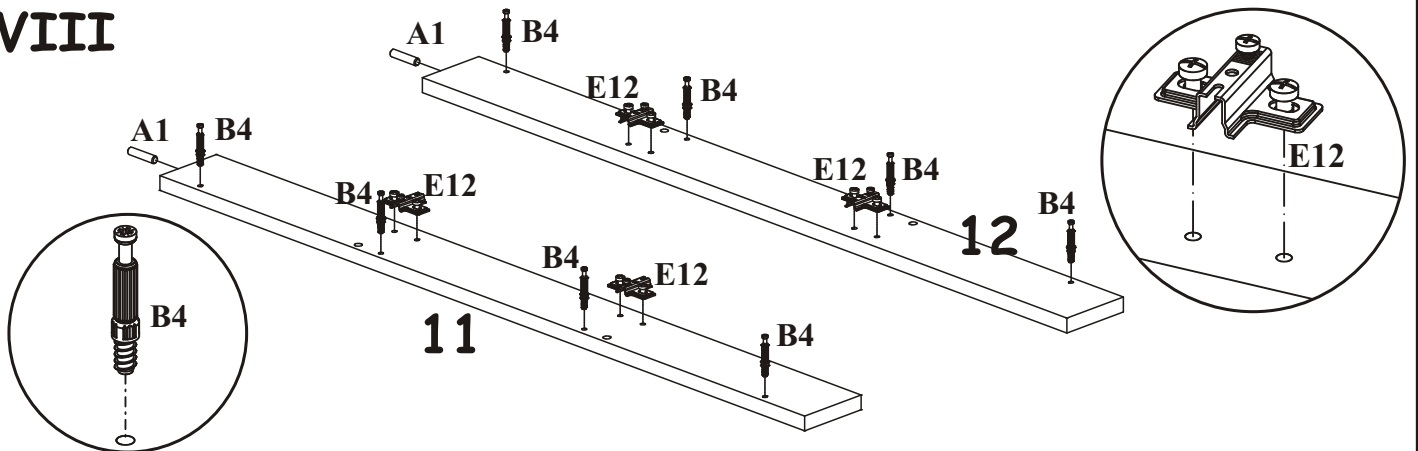
VI



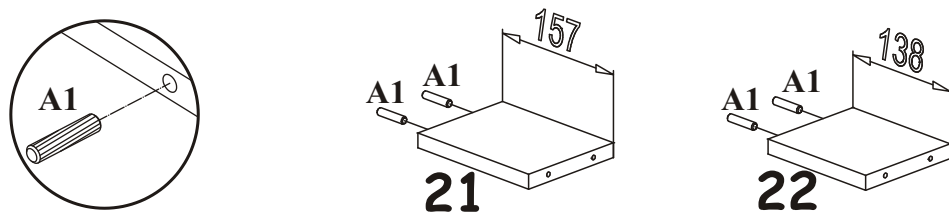
VII



VIII



IX

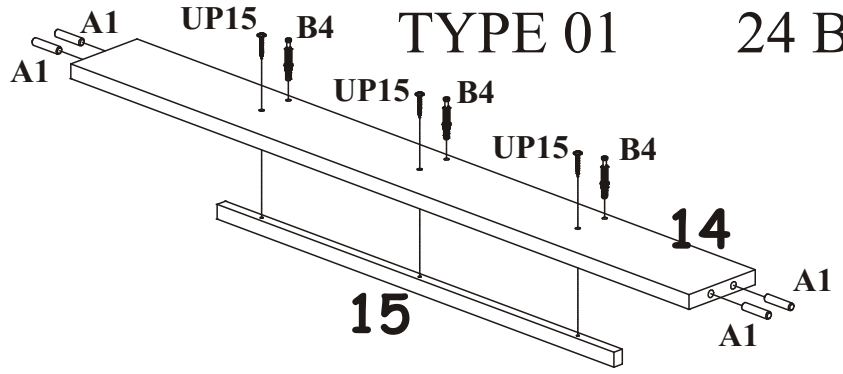


BOSTON

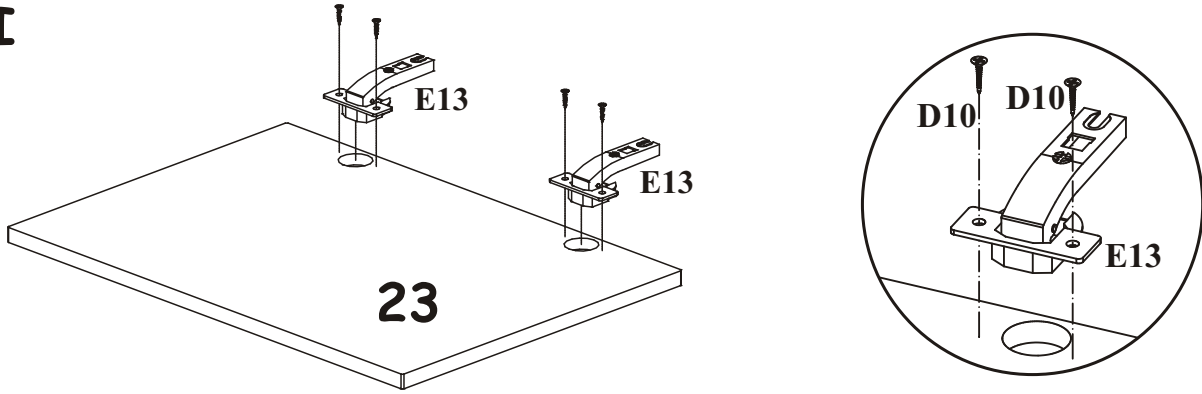
TYPE 01

24 BT

X

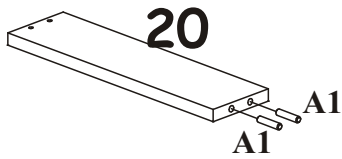


XI



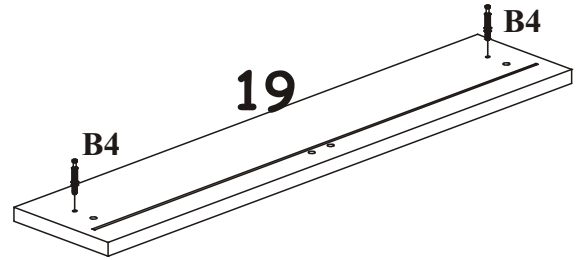
XII

X2



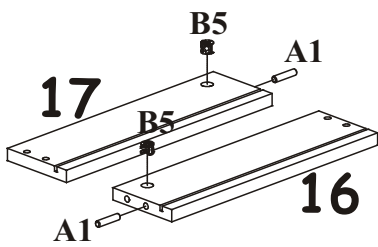
XIII

X2



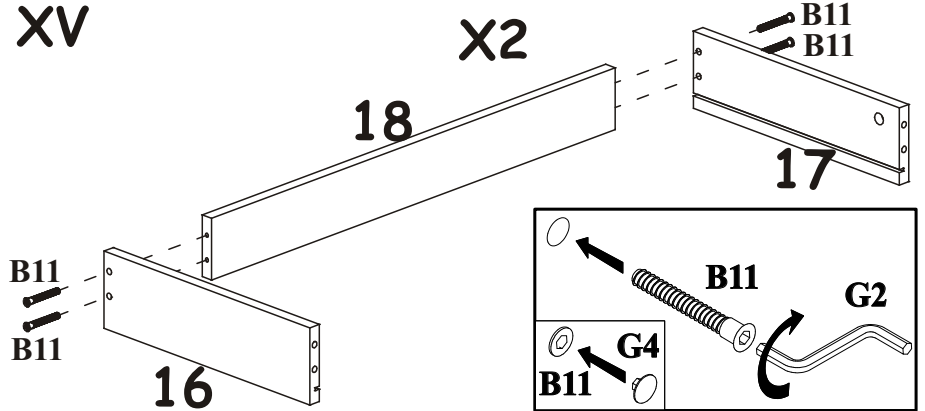
XIV

X2



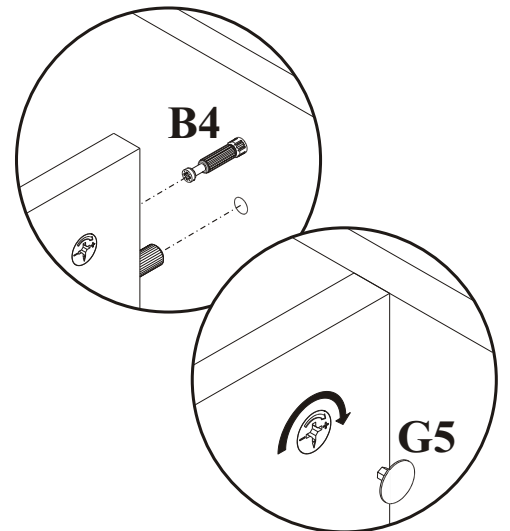
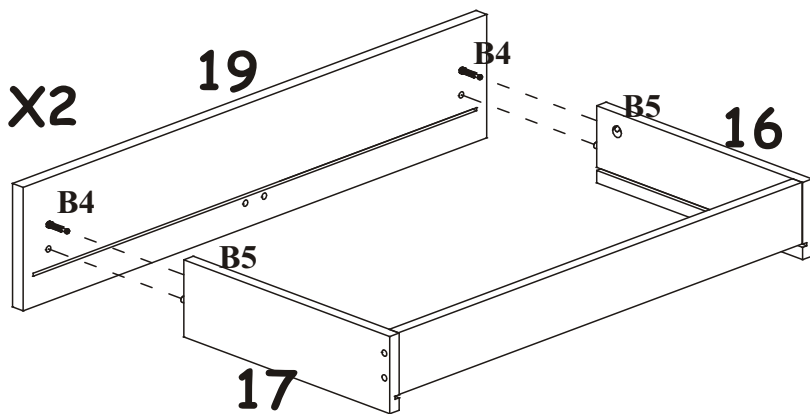
XV

X2



XVI

X2



BOSTON
TYPE 01

XVII

24 BT

B3

$x = y$

90°

XVIII

H8

D8

XIX

7

22

9L

9R

6

B11

B11

B11

B11

B11

XX

1

2

11

12

B4

B4

B4

B4

B4

B4

B5

B5

B5

B5

B5

B5

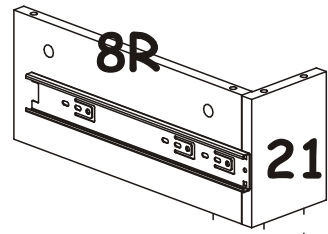
B5

G5

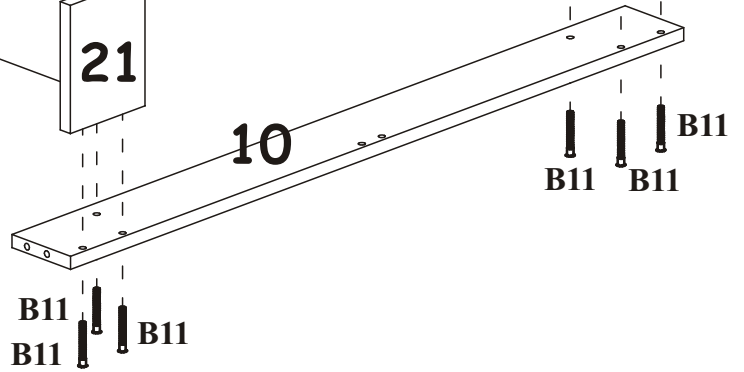
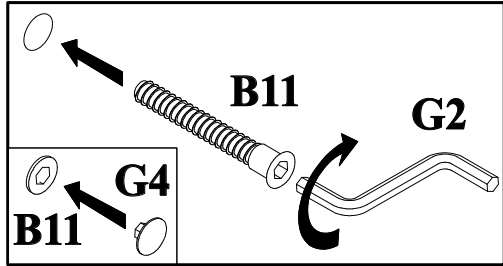
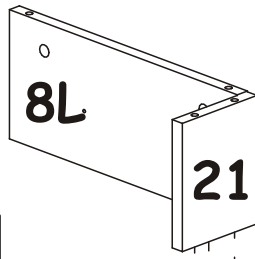
BOSTON

TYPE 01

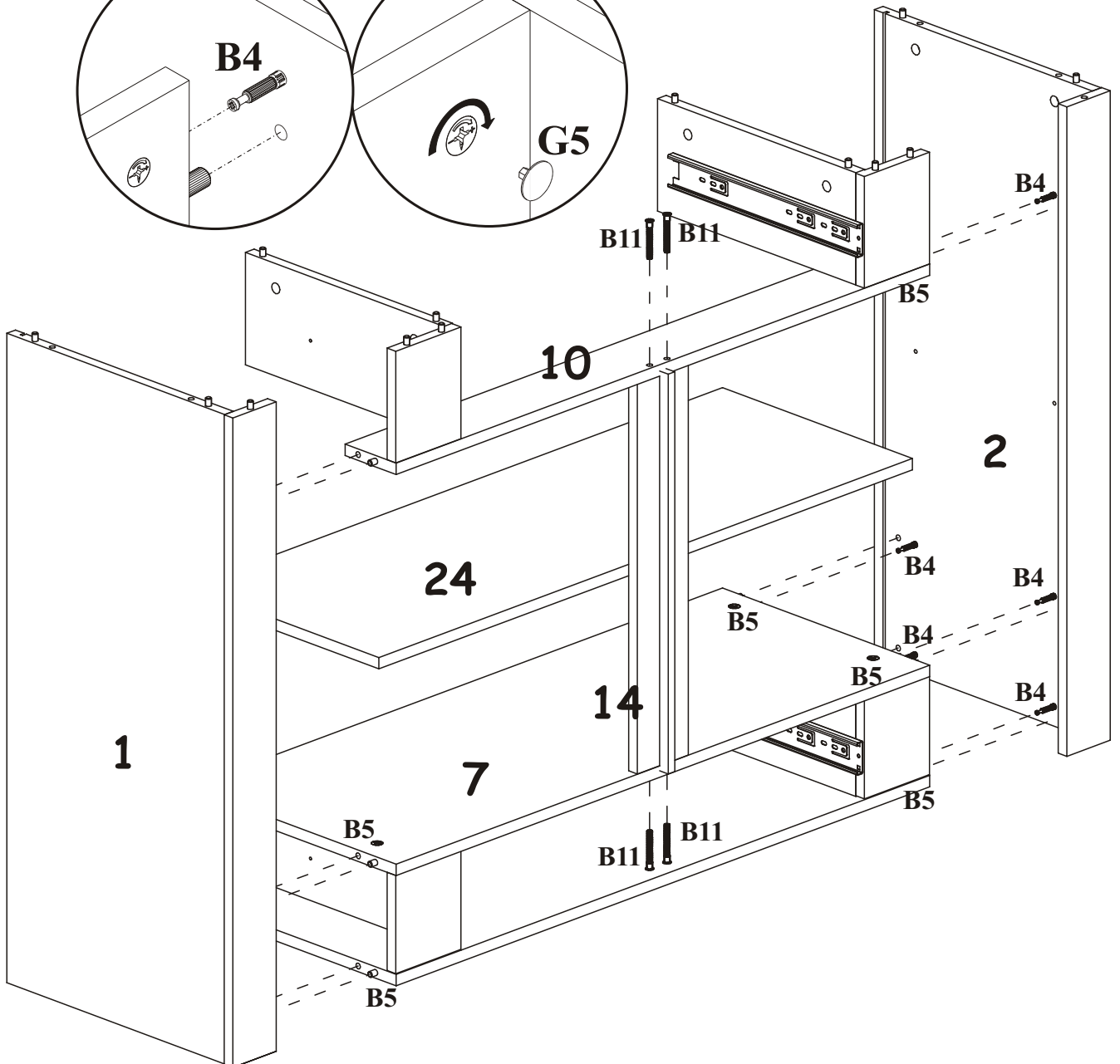
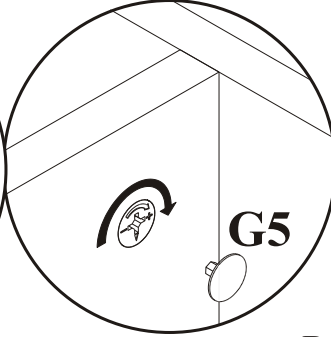
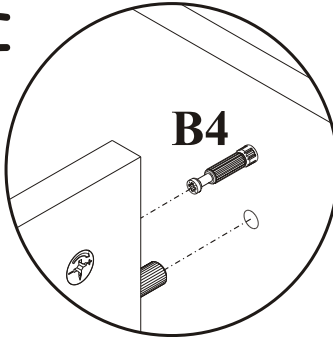
24 BT



XXI



XXII

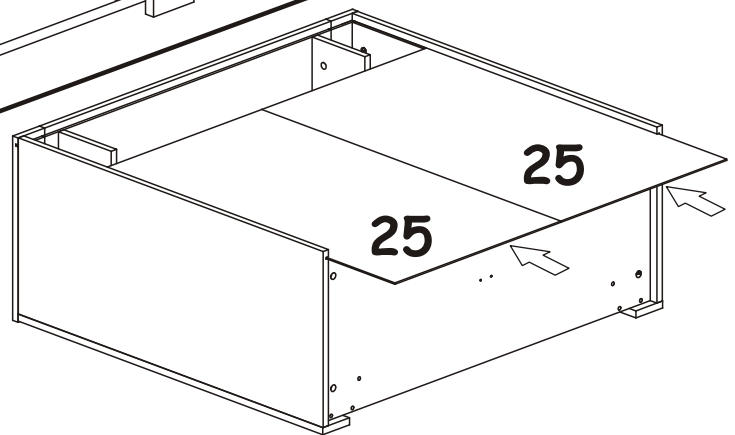
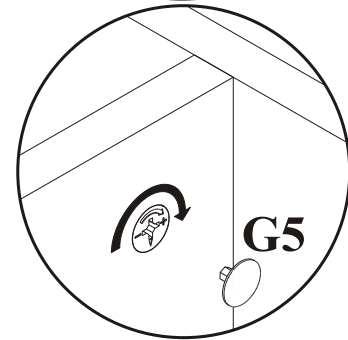
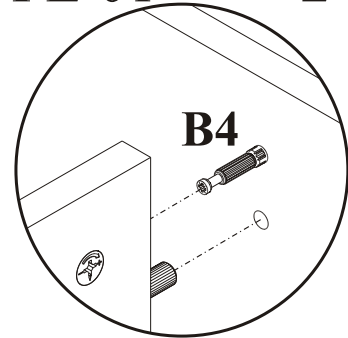
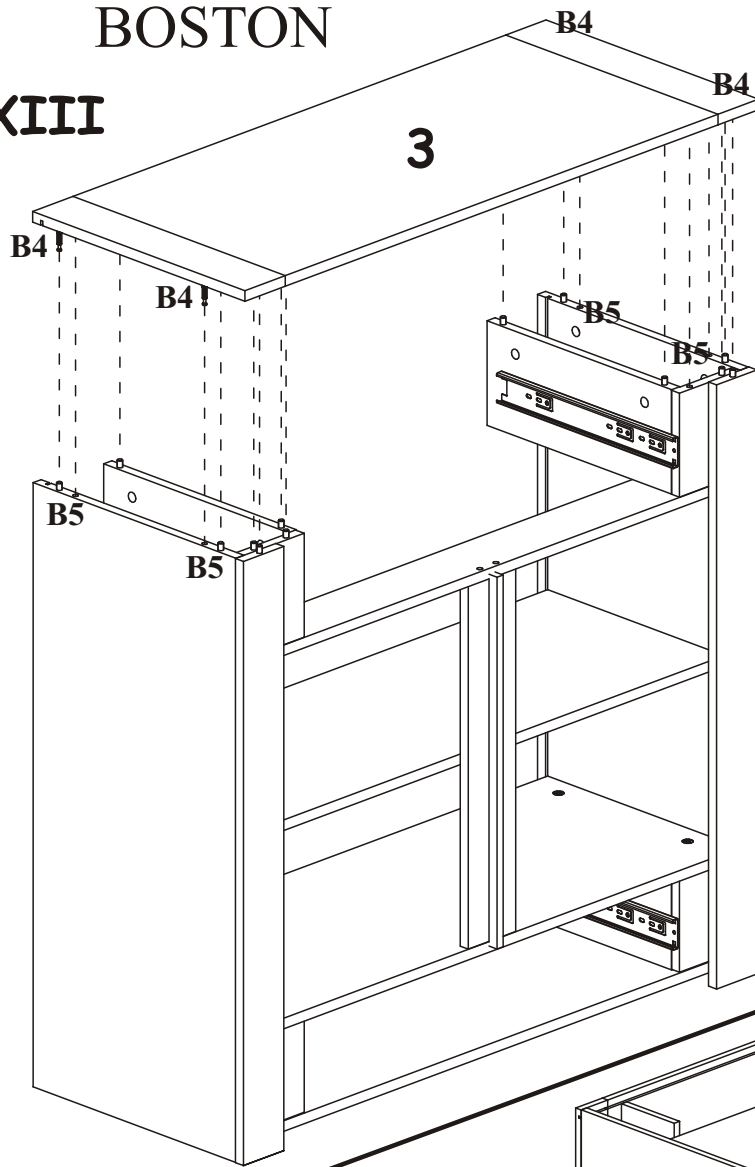


BOSTON

TYPE 01

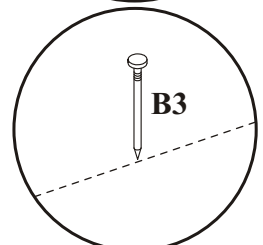
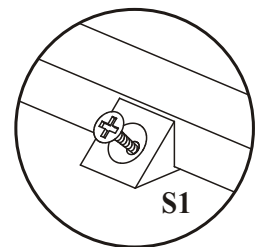
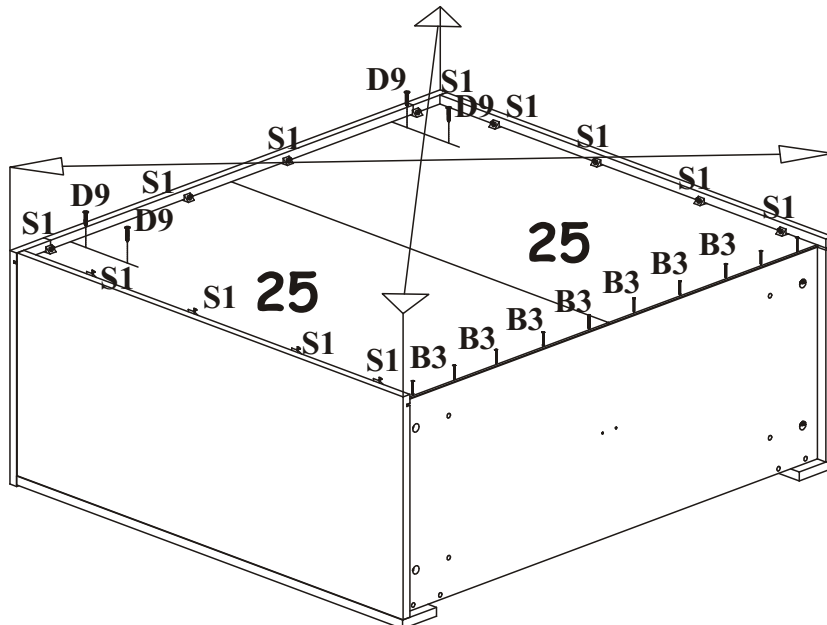
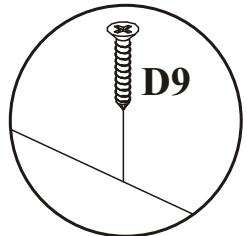
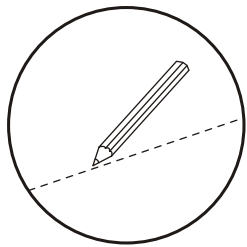
24 BT

XXIII



XXIV

X=Y 90°

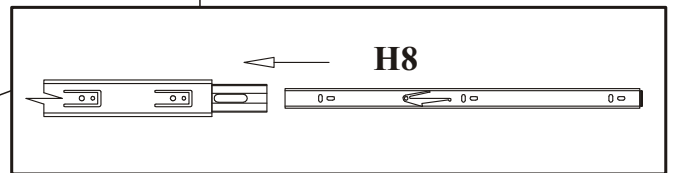
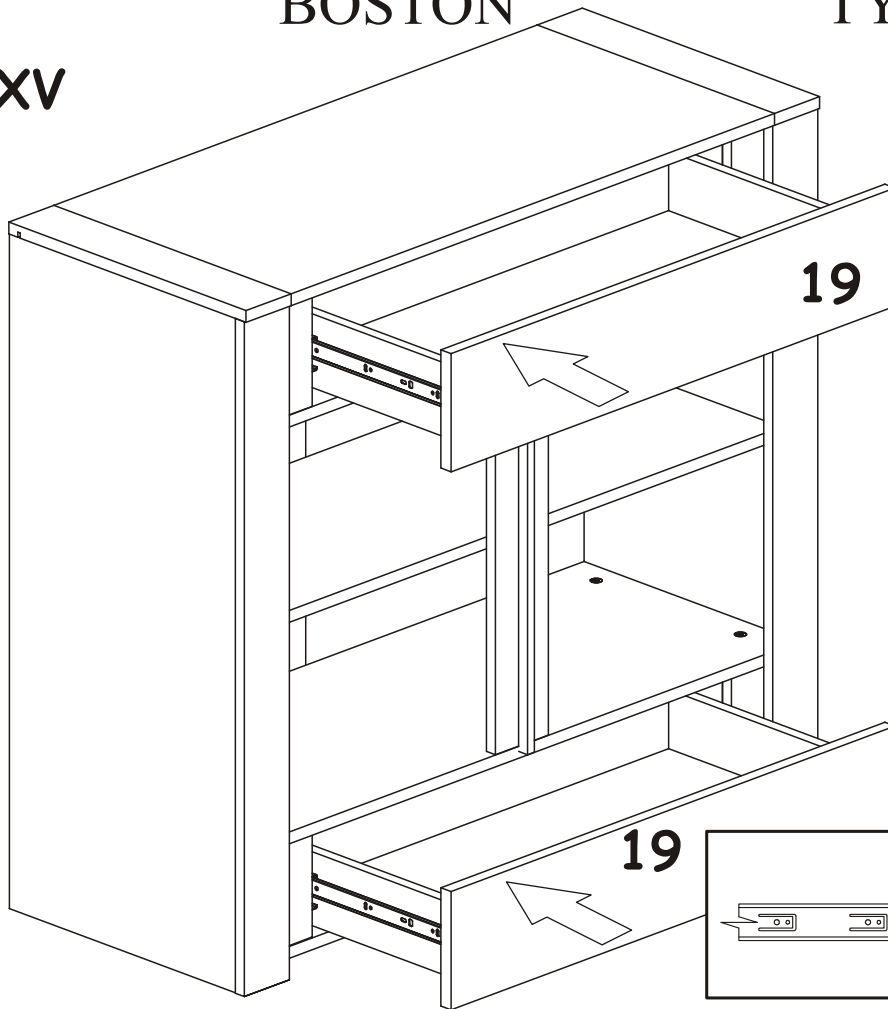


BOSTON

TYPE 01

24 BT

XXV



XXVI

