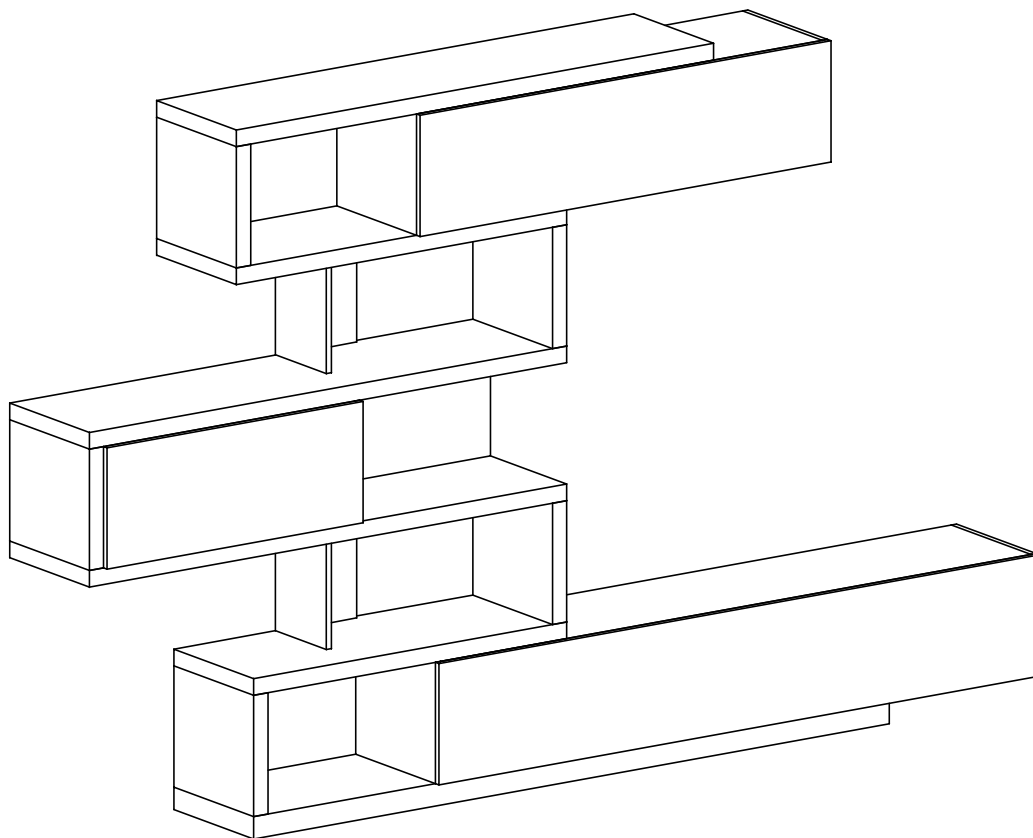

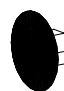
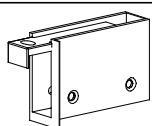


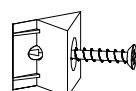

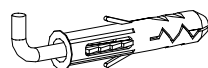
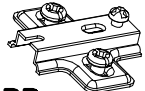
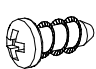



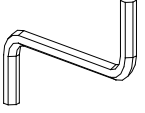
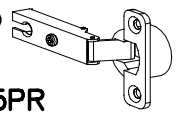
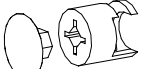

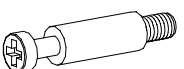
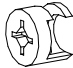


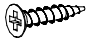


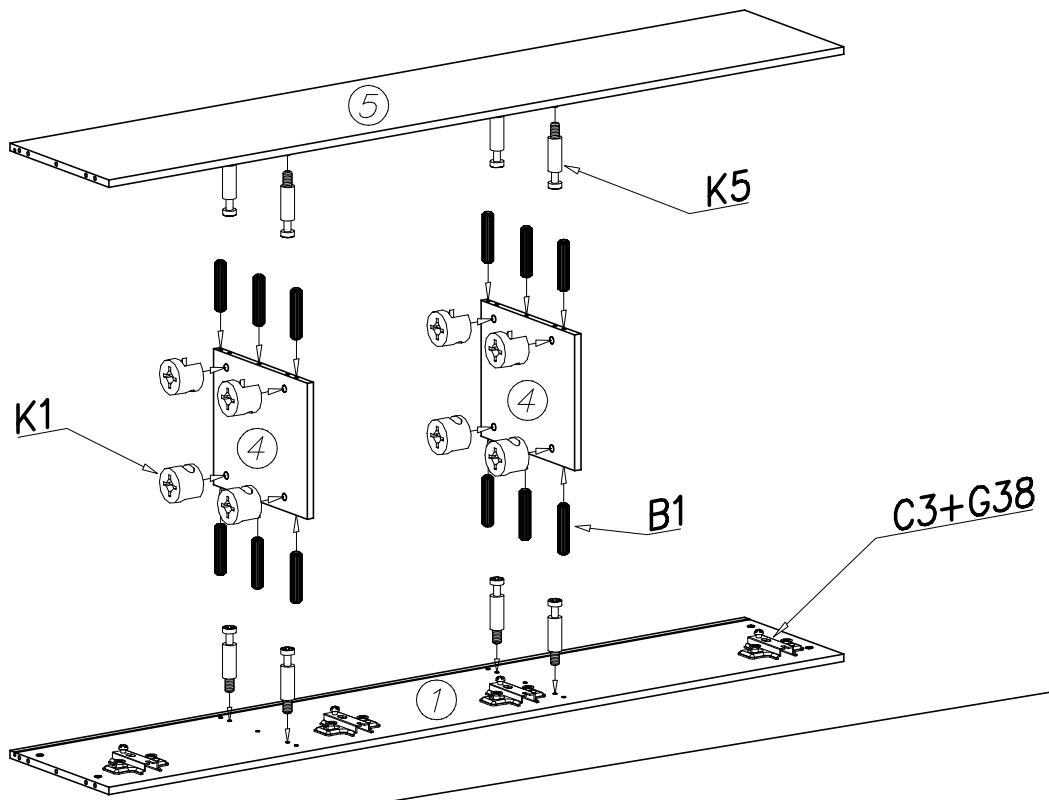
Meblościanka 6

Meblościanka 7

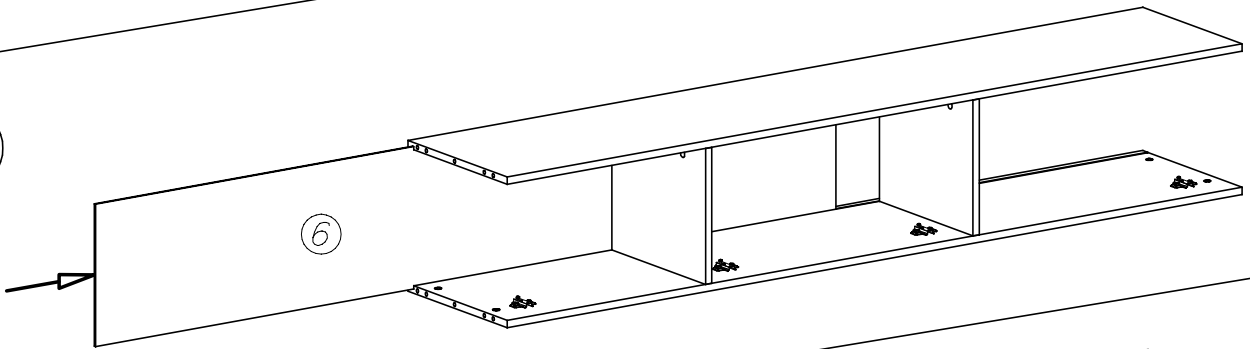


	I12a  x48	I12b  x4	U13  x1	G14  3,5x45 x2
P4  x6	I1  x7	G3  4x30 x2	U5  x1	D3  PZ35PR x9
G38  6x13 x18	A1  $\varnothing 7 \times 50$ x6	L7  x2	L8  x3	W2  x1
C3  Z35PR x9	K2  $\varnothing 15 \times 16$ x20			B1  x36
K5  x60	K1  $\varnothing 15 \times 12$ x40	G4  4x16 x18	B3  $\varnothing 7,8 \times 50$ x58	G21  3x16 x26

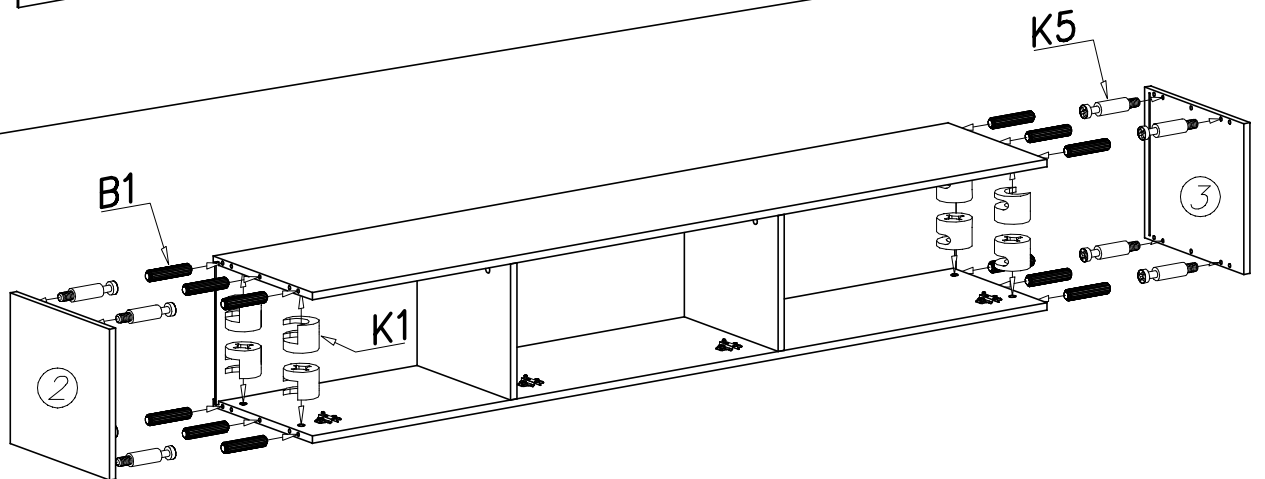
I



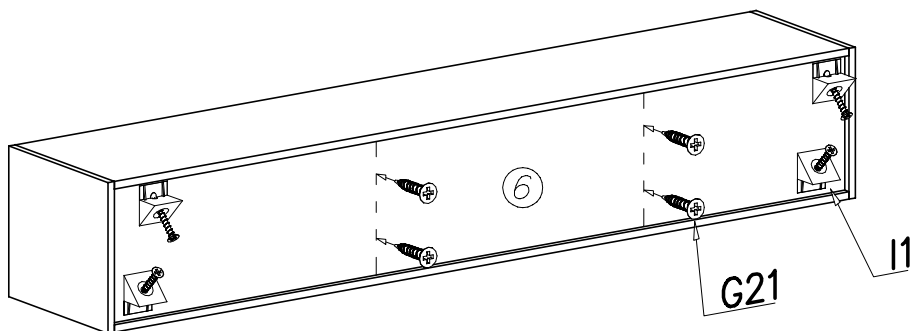
II



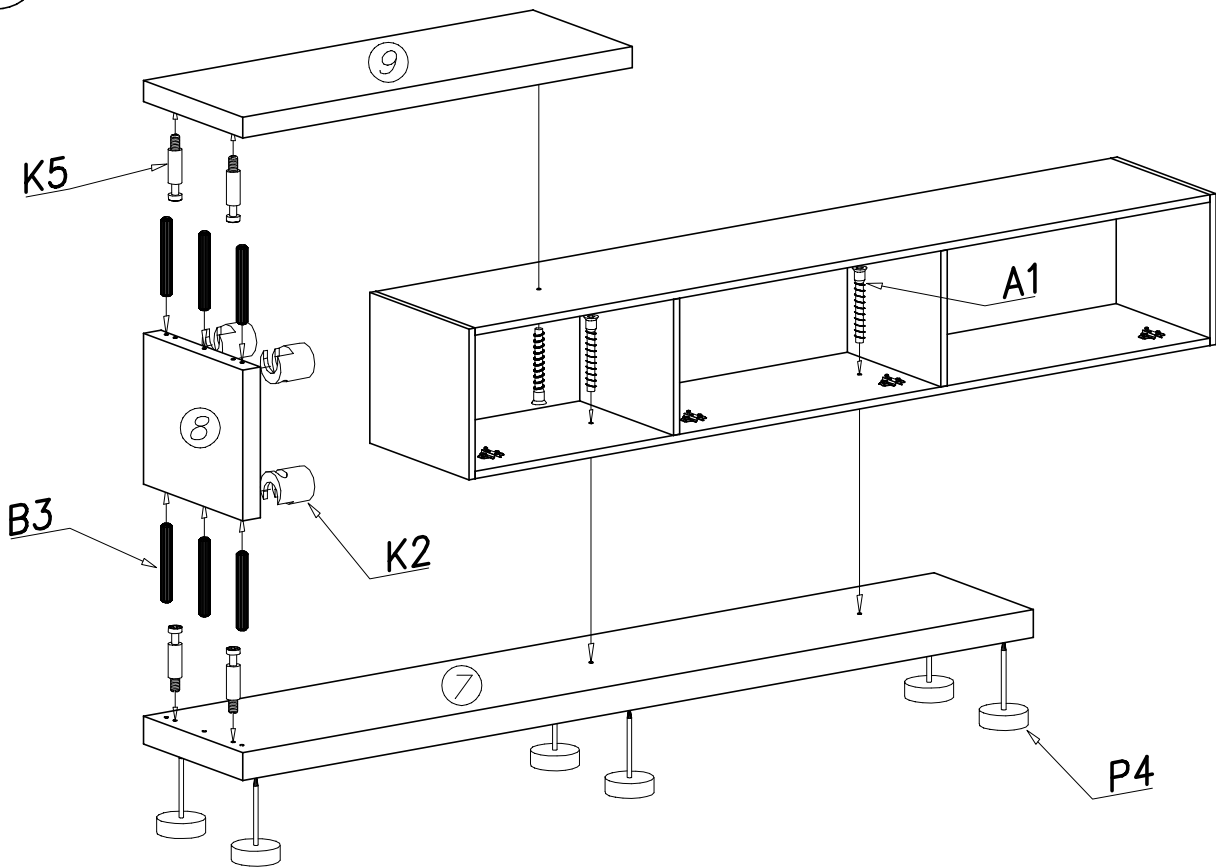
III



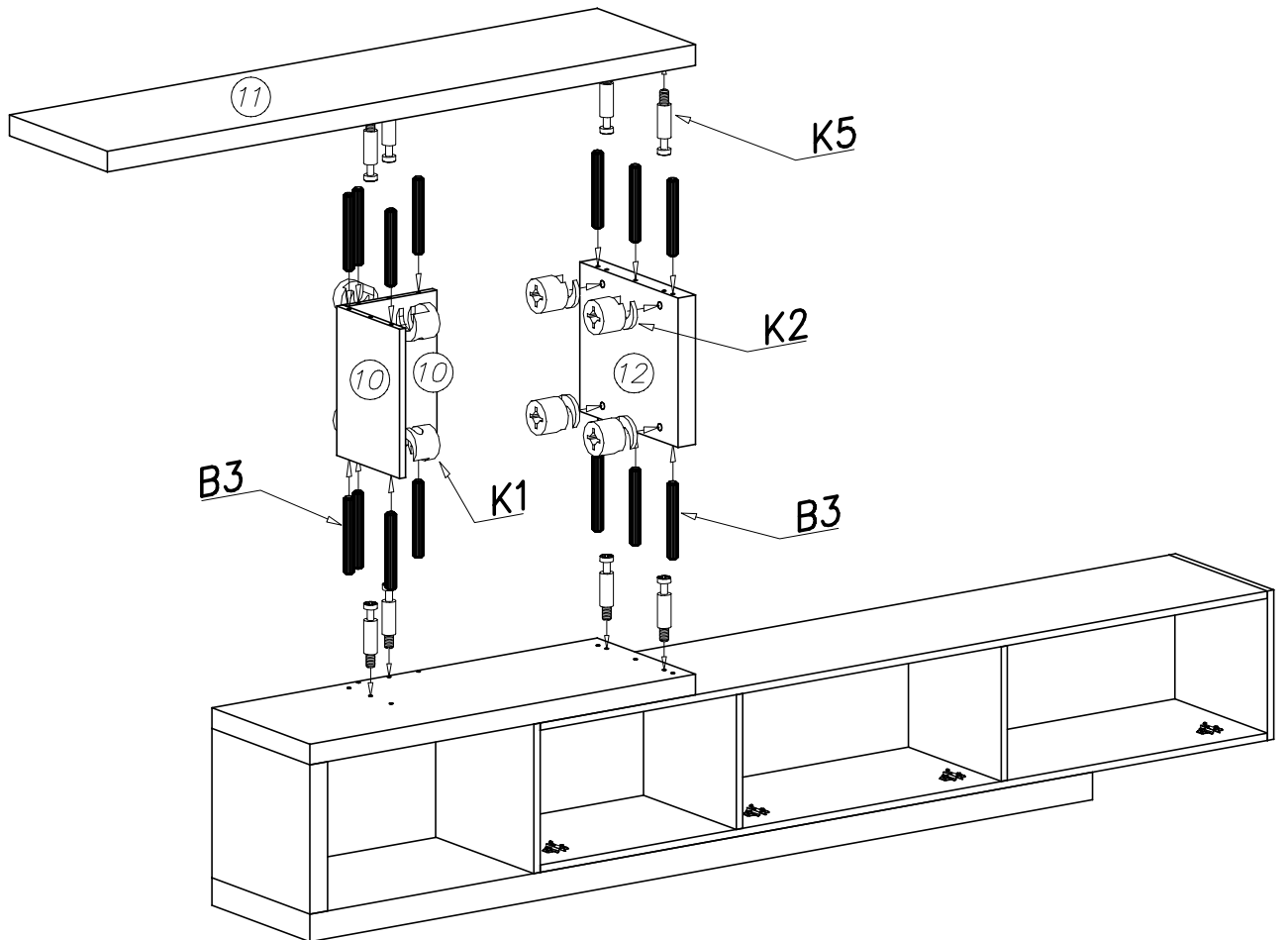
IV



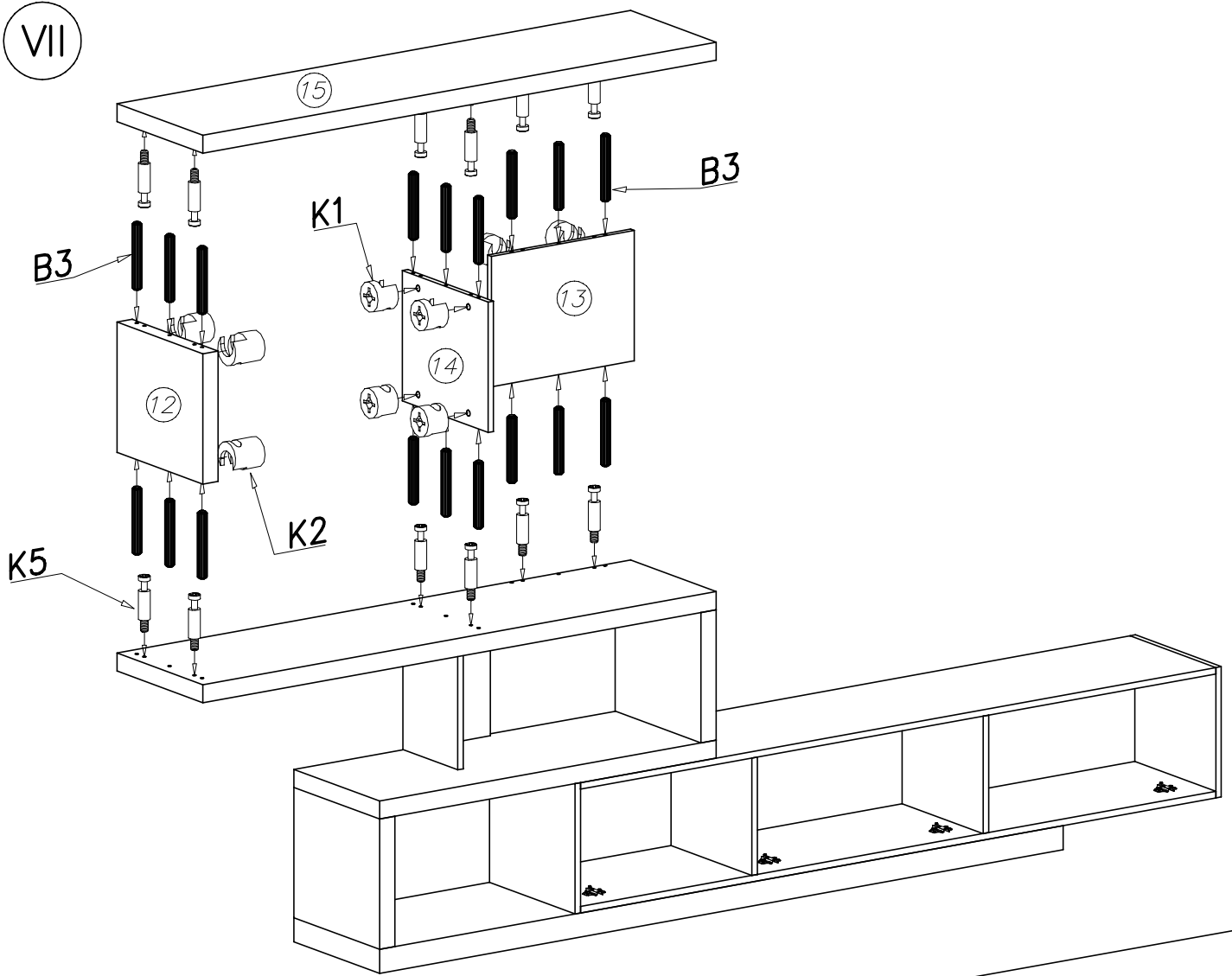
V



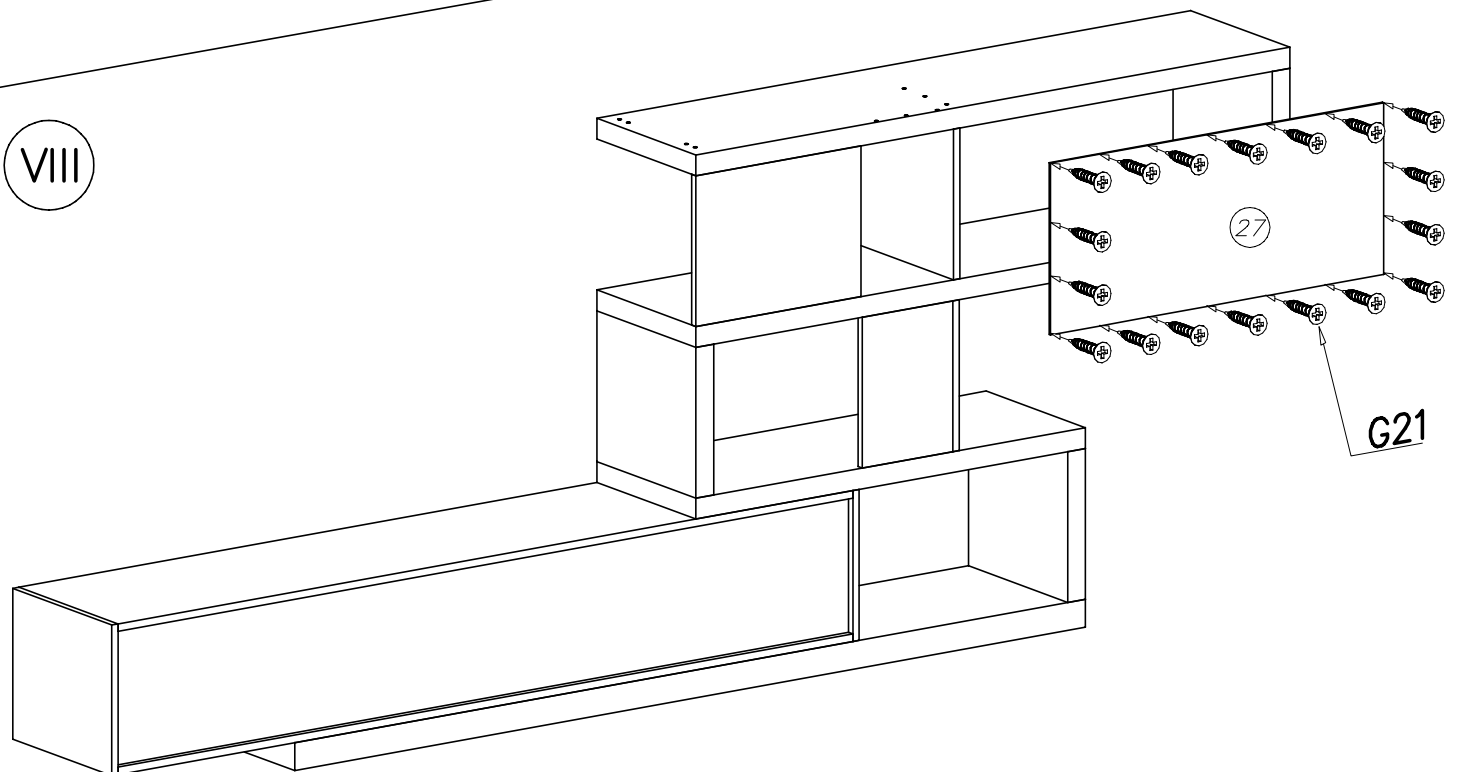
VI



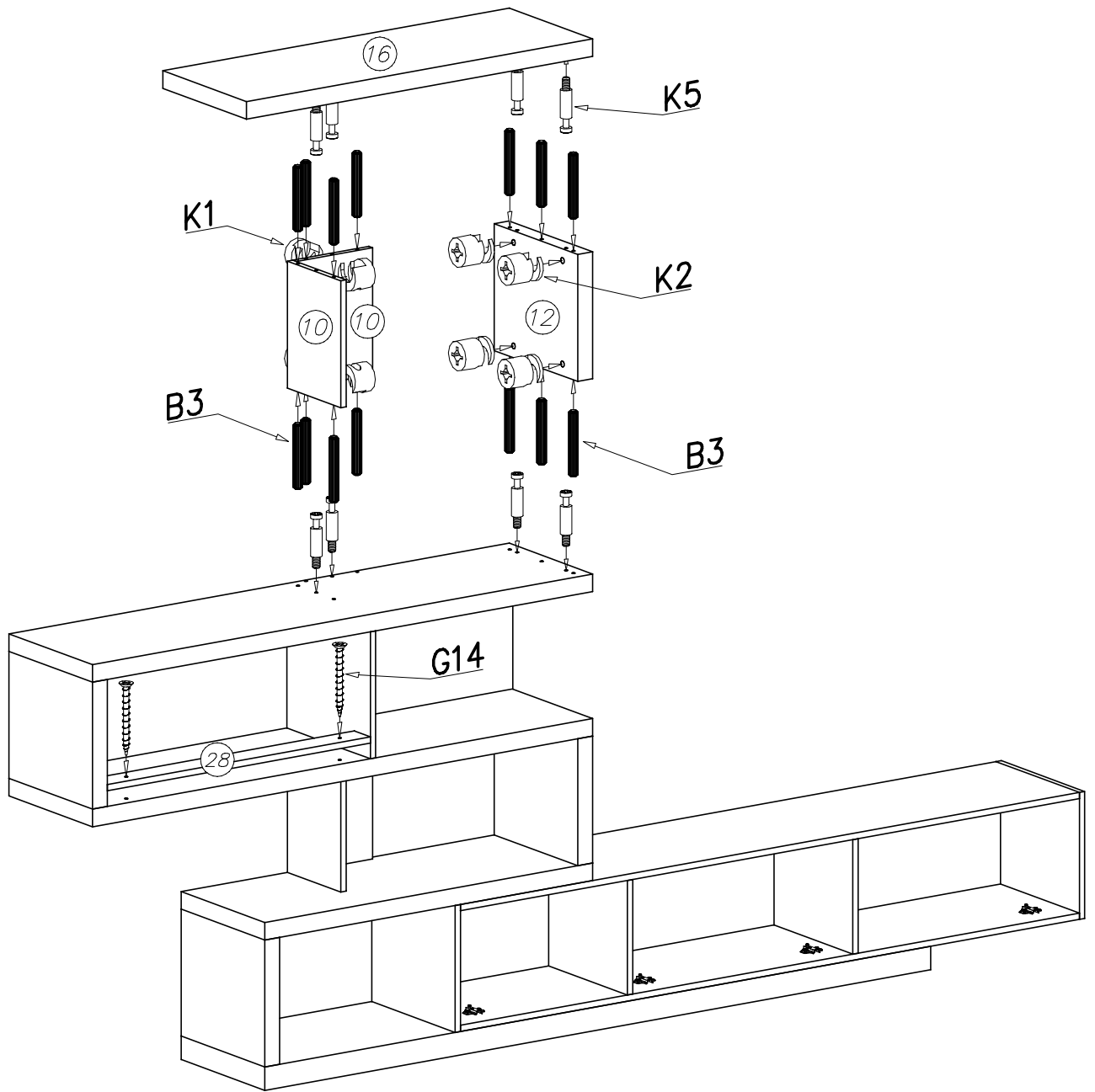
VII



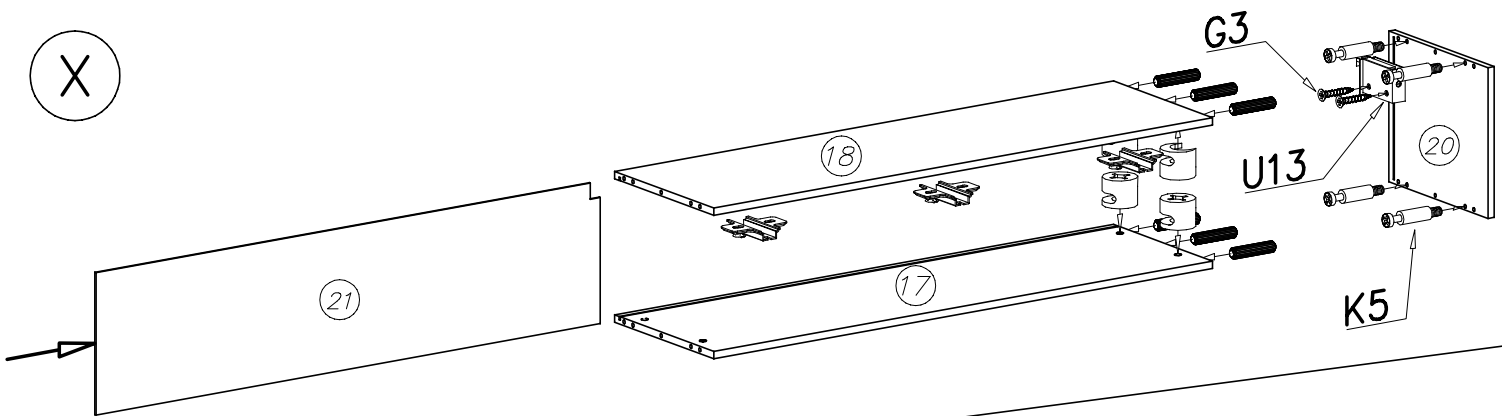
VIII



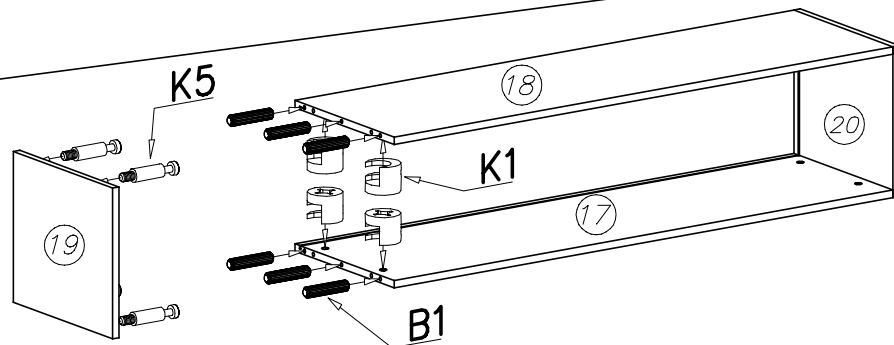
IX



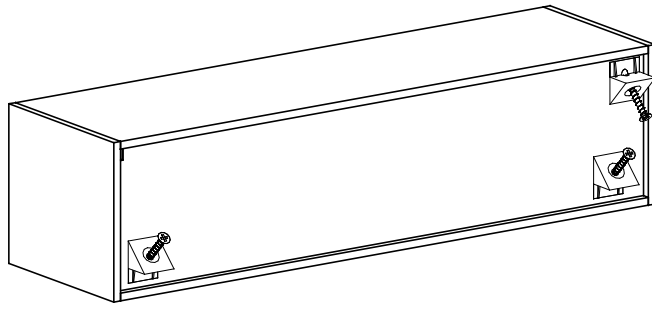
X



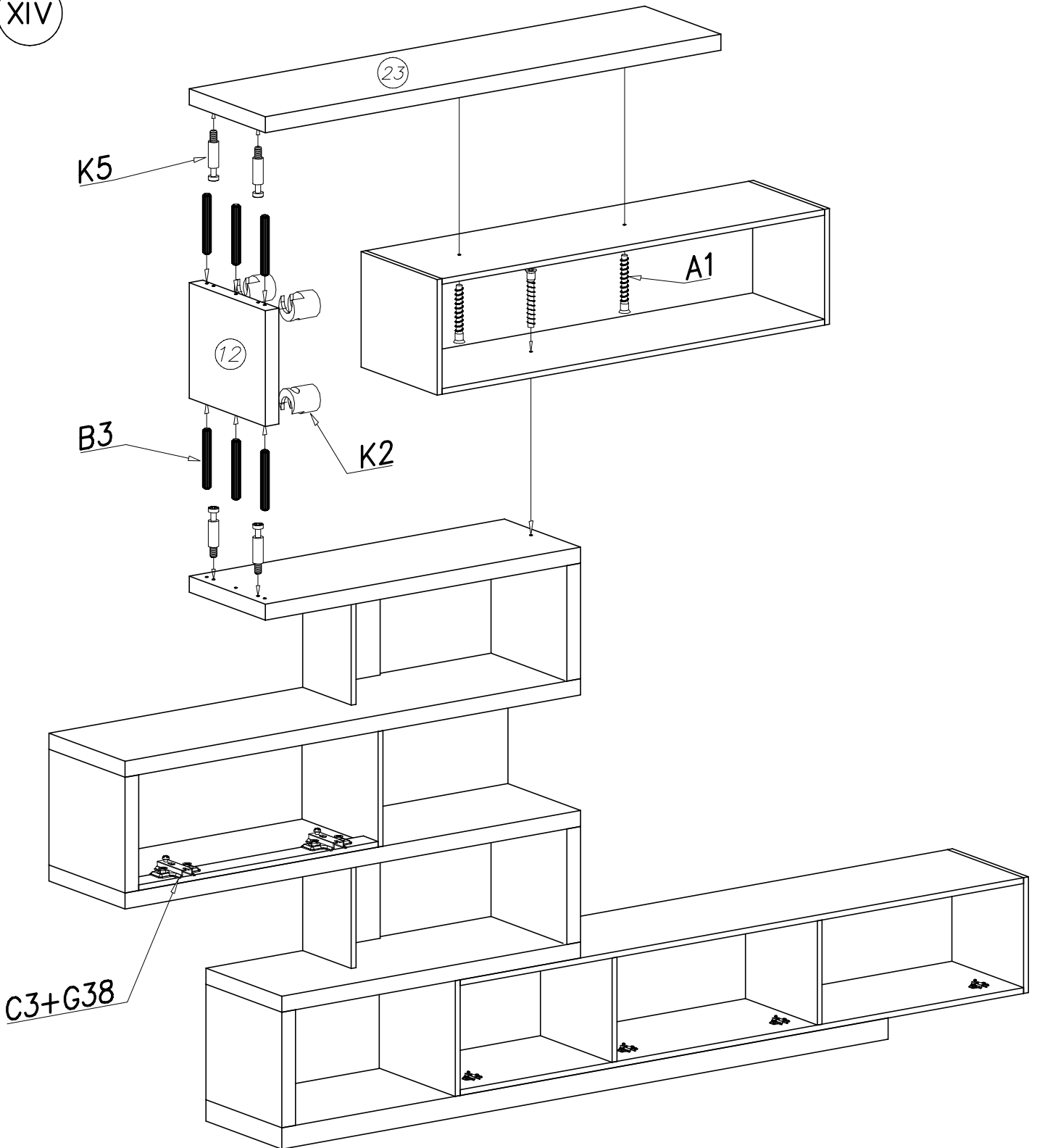
XI



XII



XIV



XV

U5

